



Technical Manual

ArteVino

- A brand of EuroCave Group -

Welcome

You have just purchased an ARTEVINO product – thank you for your custom. We take particular care in manufacturing our products in terms of their design, ergonomics and ease of use. We hope that you will be completely satisfied with this product.

Please note

The information contained in this document may be changed without warning.

ARTEVINO offers no guarantee for this product when it is used for purposes other than those for which it was designed.

ARTEVINO shall not be held responsible for any errors contained in this manual or for any damage linked to or resulting from the supply, performance or use of this appliance.

This document contains original information, which is protected by copyright. All rights are reserved.

Photocopying, reproducing or translating this document, whether partially or completely, is strictly forbidden, without ARTEVINO's prior written consent.

This appliance is intended solely for storing wine.

It is not designed to be used by people (including children) with reduced mental, sensorial or physical abilities, or by people who have no experience or knowledge, unless they have first received instructions on how to use the machine or are supervised by a person responsible for their safety.

Children must be supervised to ensure that they do not play with the appliance.

If the power lead is damaged, it must be replaced by a special cable or unit available from the manufacturer or its customer service department.

WARNING:

- Ensure that the air vents in the appliance's cavity and the flush-fitting structure are unobstructed.
- Do not use mechanical devices or other means to speed up the defrosting process other than those recommended by the manufacturer.
- Do not damage the refrigeration circuit.
- Do not use electrical appliances inside the wine storage compartment, unless they have been recommended by the manufacturer.
- Do not store in this appliance explosive substances such as aerosols containing flammable propellant gas.

This appliance is intended for domestic and similar applications such as:

- kitchenettes reserved for staff of shops, offices and other professional environments;
 - gites and use by guests of hotels, motels and other environments which are residential in nature
 - hotel rooms;
 - the food service industry and other similar applications except for retail sale.
- The use of an extension cord is not recommended.

-DANGER: Risk of child entrapment. Before you throw away your old wine cabinet:

- Take off the doors
- Leave the shelves in place so that children may not easily climb inside.

Contents

Protecting the environment.....	P 4
Description of your wine cabinet.....	P 5
Some important facts about wine.....	P 6
Power supply.....	P 6
Installing your wine cabinet	P 7
I - Door reversibility (glass door only)	P 8-9
Loading and layout advice	P 10-11
Commissioning and temperature setting	P 12-13
Everyday maintenance of your wine cabinet	P 13
Operating faults.....	P 14
Energy and technical features.....	P 15

ArteVino

Protecting the environment

Disposing of packaging:

All packaging used by ARTEVINO is made from recyclable materials. After unpacking your cabinet, take the packaging to a refuse collection point. For the most part, it will be recycled. In compliance with legislation relating to protecting and caring for the environment, your wine cabinet does not contain C.F.C.s or H.C.F.Cs.



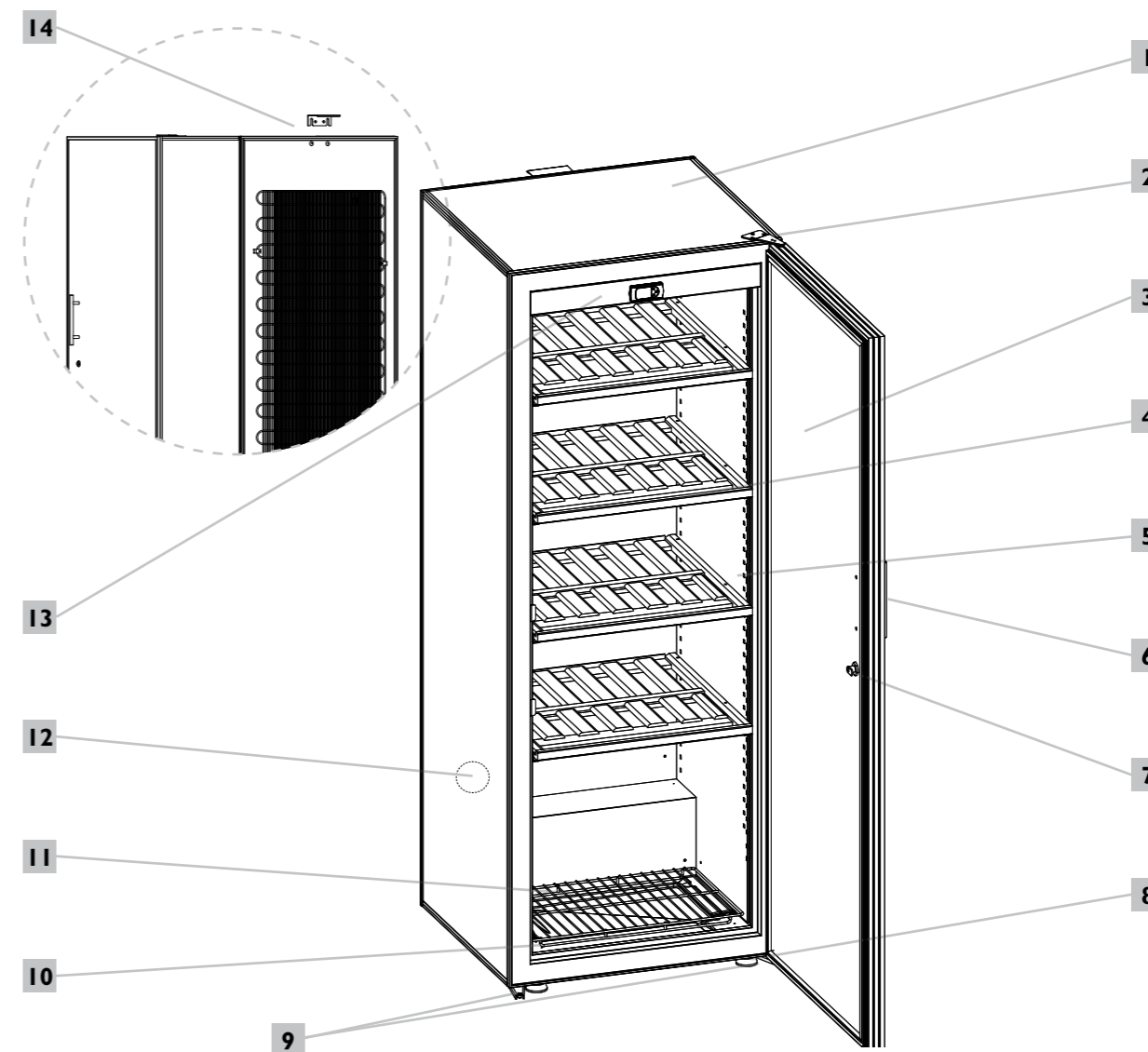
To save energy:

- Install your wine cabinet in a suitable location (see page 7) and observe the recommended temperature ranges.
- Keep the door open for as short a time as possible.
- Ensure that the door seal is in good working order and that it is not damaged. If it is, contact your ARTEVINO retailer.

N.B.: Caring for the environment:

When replacing your wine cabinet, enquire at your local municipal refuse department in order to find out the suitable recycling procedure. The refrigerant gases, substances and some parts contained in ARTEVINO wine cabinets are made up of recyclable materials which require a special disposal procedure to be followed. Seal the lock to prevent children accidentally locking themselves inside the cabinet. Disable any unusable appliances by unplugging them and cutting off the power lead.

Description of your wine cabinet



- | | | | |
|---|--|----|------------------------------|
| 1 | Cabinet body | 8 | Adjustable feet (x2) |
| 2 | Upper hinge | 9 | Lower hinge (x2) |
| 3 | Glass or solid door depending on model | 10 | Condensation collection tray |
| 4 | Storage shelf
Sliding shelf | 11 | Grid |
| 5 | Support strip for fixing shelf | 12 | Heat pump hole |
| 6 | Handle | 13 | Control panel |
| 7 | Lock | 14 | Rear stop |

Some important facts about wine

Your ARTEVINO wine cabinet has been designed to guarantee optimal storage and/or serving conditions for your wine.

Wine is a complex product. It develops very slowly and requires specific conditions in order to reach its full potential.

All wines are stored at the same temperature. Only their serving temperatures differ.

This being the case, just like the natural cellars of wine producers, it is not so much the absolute value of the storage temperature that is important but its consistency. In other words, whatever temperature your cabinet is set at (between 50 and 57°F), your wine will be stored in ideal conditions provided that this temperature does not fluctuate.

IN ANY EVENT, IF YOU NOTICE A HUMIDITY OR TEMPERATURE FAULT INSIDE YOUR WINE CABINET, BE AWARE THAT ONLY PROLONGED EXPOSURE TO ABNORMAL CONDITIONS IS HARMFUL TO YOUR WINES.

Power supply

For your personal safety, the wine cabinet must be correctly earthed.

Ensure that the socket is correctly earthed and that your installation is protected by a circuit breaker (30 mA*)

*Not applicable to some countries.

All work must be carried out by a qualified electrician.

Installing your wine cabinet

- When unpacking your cabinet, check that it is not damaged (signs of impact, buckling, marks).
- Carefully remove any packaging adhesives or protective elements from your wine cabinet.
- Open the door and check that the various elements are intact.
- Arrange the electric power lead so that it does not come into contact with any of the cabinet's components.
- Take the lead and plug it into the connector, located at the back of the cabinet, on the bottom left-hand side.

- Install the stop at the back of the cabinet (see diagram).

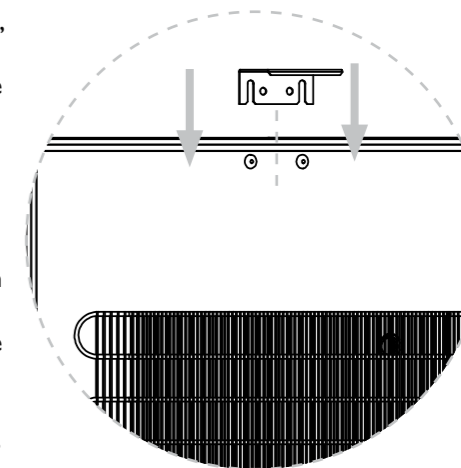
This allows a space of 7 cm to be maintained between the wall and the rear of the cabinet. This space allows your cabinet's power consumption to be optimised.

- Place the 2 caps in the 2 holes at the top of the cabinet, ensuring that you do not push them all the way in.
- Slide the rear stop between the caps and the wall of the cabinet, then push the 2 caps all the way in.

- Place your cabinet in the desired location.

The location that you choose for your cabinet must:

- be open to the outside and well ventilated (not in an enclosed cupboard, for example),
 - allow there to be a minimum space of 7 cm between the wall and the back of the cabinet,
 - not be close to any source of heat,
 - not be too damp (utility room, laundry room, bathroom...),
 - have a flat, stable floor,
 - be supplied with standard accessible power (outlet that complies with standards in force in your country, earthed with circuit breaker).
- It is forbidden to use an extension cord or adaptor.



Fitting the handle

In order to correctly fit the handle on your wine cabinet's solid door, please follow these instructions.

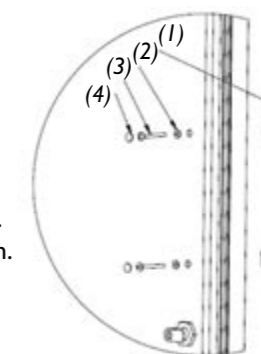
Prepare the items required for assembly, supplied with your cabinet:

- The handle (1),
- 2 washers (2),
- 2 screws (3),
- 2 caps (4).

You will also need a flathead screwdriver (not supplied)

Instructions :

1. Insert 1 washer on 1 screw.
2. Insert the screw in the hole provided on the inside of the wine cabinet door.
3. Use the screwdriver to screw the screw into the handle post and gently tighten.
4. Place the cap on the screw head.
5. Repeat this procedure for the other handle post.



Recommendation

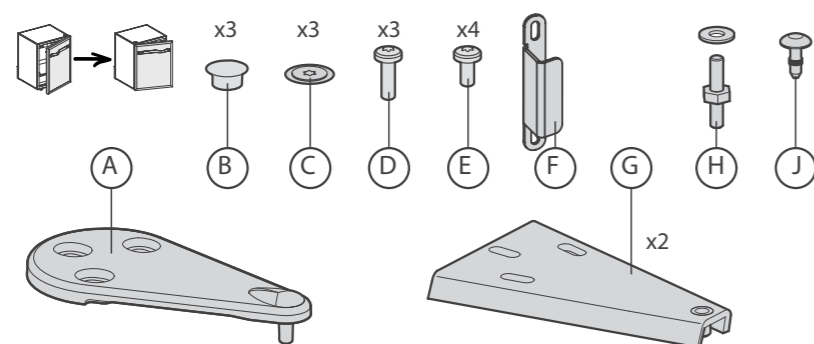
To allow you to easily level your wine cabinet, it is fitted with 2 adjustable feet at the front.

Carry out final levelling of your cabinet (spirit level recommended).

WAIT 48 HOURS BEFORE PLUGGING IN YOUR APPLIANCE

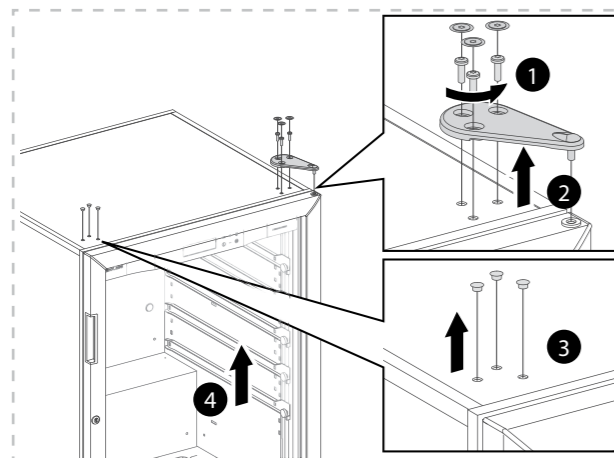
When moving your cabinet, never tilt it more than 45°, and always on its side (on the opposite side of the flexible lead).

I. Door reversibility (glass door only)

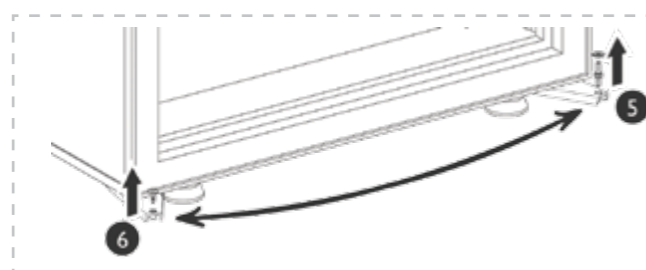


- | | |
|----------------------|-----------------------|
| A Upper hinge | F Door catch |
| B Caps | G Lower hinge |
| C Caps | H Door pin |
| D Torx screw | J Door pin cap |
| E Hex screw | |

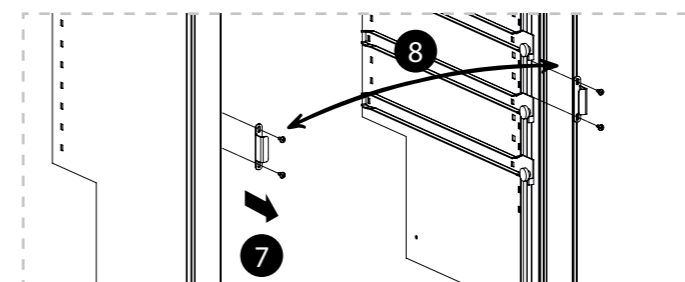
This allows you to change the direction in which the door opens. Follow the instructions below (example for changing a right-hand door into a left-hand door):



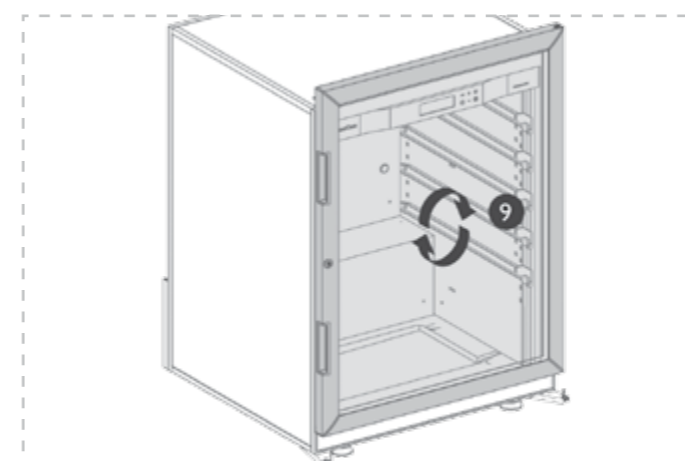
- 1 Unscrew the three screws using a "T25" Torx wrench.
- 2 Remove the upper hinge.
- 3 Carefully remove the caps using a thin blade.
- 4 Remove the cabinet door by opening it slightly, then lifting it upwards.



- 5 Unscrew the door pin.
- 6 Carefully remove the cap using a thin blade and assemble the pin in its place. Reposition the cap on the opposite side



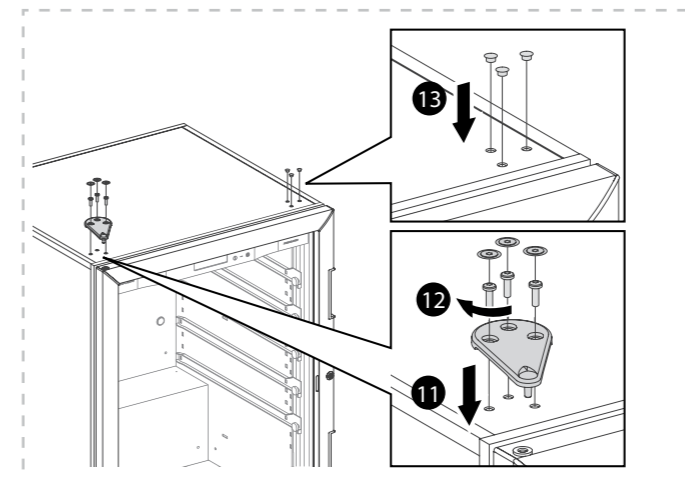
- 7 Unscrew the two screws and the door catch.
Unscrew the two screws on the opposite side and remove the two washers.
- 8 Mount the door catch on the desired opening side, using screws.
Replace the washers, then the screws, on the side opposite the door catch.



- 9 Turn the door through 180°.

Warning: the door is very heavy. Take any necessary precautions to ensure that you do not injure yourself or drop it.

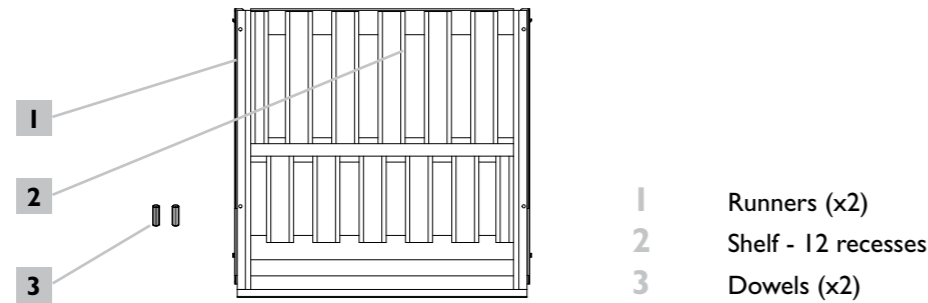
- 10 Put the door back on its pin.



- 11 Put in place the upper hinge.
- 12 Screw the hinge so that the door is completely parallel to the cabinet. Check that the door seal adheres well to the cabinet (by closing the door), to ensure that it is completely air-tight.
- 13 Put in place the caps.

Loading and layout advice

Each shelf can be used as a storage shelf, sliding shelf or display shelf. The shelves in your cabinet have 12 recesses, allowing your bottles to be stored safely.



Shelf specially developed for wine cabinets in the Oxygen range.
12 dowel pins supplied in the accessories bag

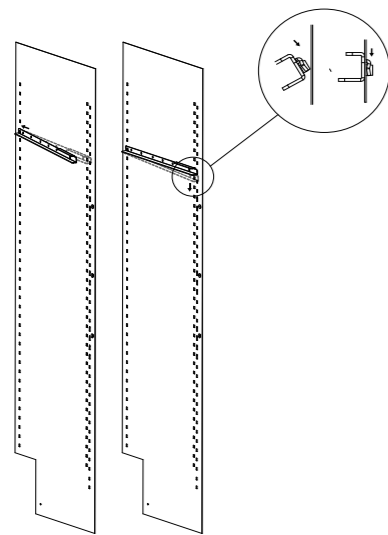


Diagram 1

Installing a shelf in storage version:

To install bottles on a storage shelf, proceed as follows:

1. Insert 2 runners in the shelf support strips. For each shelf, position one runner on the right and one runner on the left (see diagram 1). Ensure that the runners are correctly fixed in their housing (see diagram 2)
2. Place the shelf in the 2 runners. (see diagram 3)
3. Place a locking dowel in each of the 2 holes located at the front of the shelf, in the upper section. These pins then fix the shelf with respect to the runner and prevent any unwanted movement.
4. Start by placing bottles in each recess of the back row with the base of the bottle towards the back.
5. Continue by placing the bottles in the opposite direction on the front row.
6. Continue stacking the bottles, ensuring that no bottles touch the back wall.
7. **A storage shelf can support a maximum of 6 rows of 12 bottles, i.e. 72 traditional Bordeaux bottles (97 kg).**

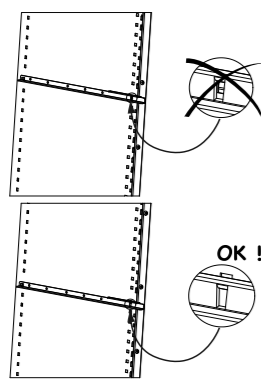


Diagram 2

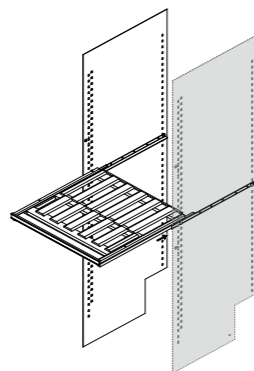
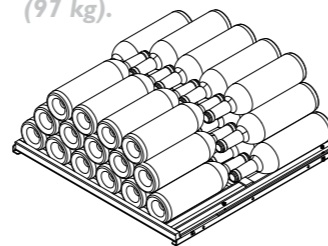


Diagram 3

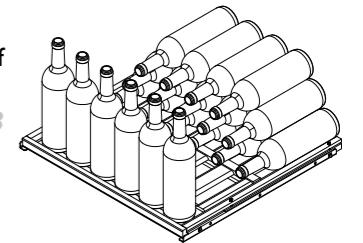


N.B: For optimal use of your storage shelf, attach the rubber studs to the rear of the shelf, one on the left, the other on the right, ensuring that no bottles touch the back wall.

Installing a shelf in display version:

To install bottles on a display shelf, proceed as follows:

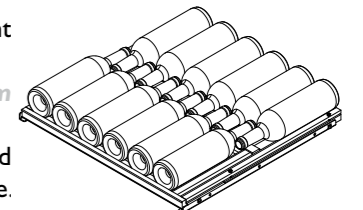
1. Insert 2 runners in the shelf support strips. For each shelf, position one runner on the right and one runner on the left (see diagram 1 and 2).
2. Place the shelf in the 2 runners. (see diagram 3)
3. Place a locking dowel in each of the 2 holes located at the front of the shelf, in the upper section. These pins then fix the shelf with respect to the runner and prevent any unwanted movement.
4. Start by placing bottles in each recess of the back row with the base of the bottle towards the back (6 traditional Bordeaux bottles).
5. Continue stacking the bottles on the back row (6+5+6+5 = 22 traditional Bordeaux bottles), ensuring that no bottles touch the back wall.
6. To display your bottles, place them vertically at the front of the shelf (maximum capacity : 6 traditional Bordeaux bottles)
7. **In display version, the shelf has a maximum capacity of 28 traditional Bordeaux bottles.**



Installing a shelf in sliding version:

To install bottles on a sliding shelf, proceed as follows

1. Insert 2 runners in the shelf support strips. For each shelf, position one runner on the right and one runner on the left. (see diagram 1 and 2).
2. Place the shelf in the 2 runners. (see diagram 3)
3. Place a locking dowel in each of the two holes located at the back of the shelf, in the upper section. These pins prevent the shelf from sliding all the way out of the cabinet
4. Start by placing bottles in each recess of the back row with the base of the bottle towards the back.
5. Continue by placing the bottles in the opposite direction on the front row.
6. **A sliding shelf can only hold a single row of bottles (maximum of 12 traditional Bordeaux bottles).**
7. In the case of a mixed layout, for optimal accessibility, we recommend that you place the sliding shelves in the central section of the appliance.



NEVER PULL OUT MORE THAN ONE LOADED SLIDING SHELF AT A TIME.

If you do not have enough bottles to fill your wine cabinet, it is preferable to spread the load over the entire cabinet rather than placing bottles "all at the top" or "all at the bottom". For optimal performance, we recommend that you use the cabinet at over 75% of its capacity.

Commissioning and temperature setting

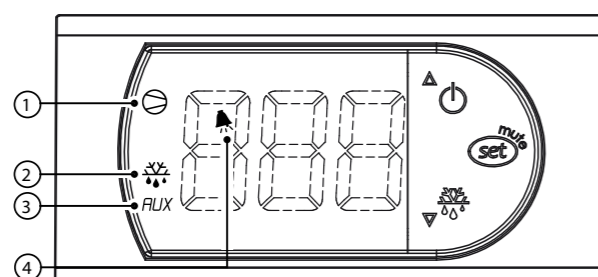
Commissioning

After waiting 48 hours, plug in your wine cabinet, having checked that your socket is correctly supplied with power

(presence of correct sized fuses, circuit breaker in working order. If need be, plug in another electrical appliance to check the power supply).

Temperature setting

Description of the control panel



- Temperature display: displays the actual temperature inside your wine cabinet. It is therefore necessary to wait before your new setting takes effect.
- Simply press and hold down **SET** for a few seconds to see the temperature setting.
- Buttons (▲ / ▼ / **SET**) : allow you to select the desired temperature inside the cabinet.
- Standby button (⏻) : allows you to switch the cabinet on and put it on standby.

Commissioning the control panel

By default, the control is in the “on” position. To put the cabinet on standby, press and hold down the (⏻) button for several seconds.

The display switches between the internal temperature and the **OFF** display (the cabinet is no longer operating, only the display is active).

To reactivate the cabinet back on, press and hold down the (⏻) button for several seconds until just the temperature is displayed.

To set the temperature of your wine cabinet

The temperature of your wine cabinet is set entirely from the control panel.

Press and hold down the **SET** button for a few seconds until the temperature setting (ST1) flashes.

- Set the desired temperature using the ▲ and ▼ buttons.
- Confirm your programming by pressing the **SET** button. If you do not confirm your setting with this key, your modification will not be registered.

Alarms

If the temperature inside the cabinet is 43°F above or below the temperature setting, for over 3 hrs, the control activates the alarm and the warning light (⚠) appears.

NB: If you have loaded your cabinet with a large number of bottles, it can take several hours for your wine cabinet's temperature to stabilise. The warning light (⚠) may then appear. Wait a while then check again. If the alarm warning light does not disappear, contact your retailer.

Status lights:

Compressor **1** : indicates that the compressor is operating. When this flashes, it means that the compressor is going to start up in a few minutes (technical delay).

Defrosting cycle **2** + : indicates that an automatic defrosting cycle is underway.

Heater **3** : indicates that the heater is operating.

Alarm **4** : informs you that there is an abnormally high or low temperature inside the wine cabinet.

The recommended setting range for storing wine is 50°F - 57°F. The default setting is 54 °F (ideal maturing temperature).

However, the temperature may also be set between 48 and 59 °F.

Your wine cabinet can be placed in a room with a temperature of 32°F - 95°F.

When commissioning your cabinet, or after significant changes to the temperature setting, it can take several hours for your wine cabinet to stabilize and display the new desired temperature.

Wait a few days. If the temperature does not stabilise, contact your retailer.

Everyday maintenance of your wine cabinet

Your ARTEVINO cabinet is a tried and tested appliance. The following few operations will allow your cabinet to perform at its best for many years to come.

- 1) Clean the water drain at the bottom of the wine cabinet. Pay attention that nothing is blocking this drain.
- 2) Regularly vacuum (twice a year) the condenser (black metal grill attached to the back of your wine cabinet).
- 3) Once a year, thoroughly clean the inside of your wine cabinet, remembering to unplug it after removing your bottles (use a gentle cleaning product and water and remember to rinse well and then dry it with a soft rag).
- 4) It is often necessary to clean the door seal. Using unsuitable cleaning products can cause premature ageing of the seals. Certain rules must therefore be followed: whenever you clean the seal, always rinse off any cleaning product with clear water. All traces of cleaning product must be removed from the seal. ARTEVINO only recommends using a mild soapy solution. If this proves insufficient, it is possible to occasionally use an ethanol-based solution, provided that the concentration used is less than 10% and that the seal is then rinsed thoroughly with clear water.

HUMIDITY

Your cabinet is fitted with an exclusive ARTEVINO system allowing you to recreate inside your wine cabinet the level of humidity required to effectively seal your bottles' corks. When installing your cabinet, it is important to pour the equivalent of one glass of water onto the floor of the cabinet to activate the heat pump process.

Operating faults

When starting up

• **The compressor does not work** > check that the wall socket is supplied with power by plugging in another electrical appliance.

• **The compressor never stops** > put your hand on the condenser (grill located on the back of the appliance). If the condenser is cold, contact your retailer.

If the condenser is hot, set your cabinet (ST1) to 59°F, the maximum temperature setting value. If the compressor still does not stop, contact your retailer.

ANY WORK CARRIED OUT BY TECHNICAL SERVICES NOT APPROVED BY ARTEVINO SHALL RENDER THE WARRANTY NULL AND VOID.

THE USE OF A GLASS DOOR CAN AFFECT THE PERFORMANCE OF YOUR WINE CABINET IN SOME EXTREME TEMPERATURE CONDITIONS.

Energy and technical features

Model	Temperature	Height (mm)	Width (mm)	Depth (mm)	Weight (Kg)	Accuracy
OXYVD7WCOUS	I	1825	680	690	86	+/- 3 °F
	Electrical power* (Watts)	Consumption (kWh/ 24hrs)*	Voltage** (V)	Frequency** (Hz)	Recommended T° range	
	100	0.800	115	60	Min.T°	Max.T°
		Annual energy consumption AEC*** (Kwh/year)	Useful volume (litres)	Temperature of the other compartments	Acoustic emissions (db(A))	
		292	460	-	38	

* Measured with an external temperature of 77°F.

** Depending on the country, these values can vary; to find out the specific properties of your appliance, consult your appliance's product identification label.

*** Energy consumption calculated based on the result obtained over 24 hrs in standard test conditions. Actual energy consumption depends on the appliance's location and operating conditions.

This appliance is intended solely for storing wine.

Category of all models:2

Climate class: our appliances are designed to be used at an ambient temperature of 20°F - 90°F - Class

SN – Nevertheless, refer to the table of technical features above to find out the optimal performance for your product.

This model cannot be flush-fitted.

Standards

Your product meets the following standards:

1- Safety
 Directive 2006/95/CE
 Standard EN60335-1 :Version 5-2010+A1+A2+A11+A12+A13
 EN60335-2-24 : Edition 7-2010+A1+A2+A11

2- EMC
 Directive 2004/108/CE
 Standard EN55014-1/2

3- Environment
 Directive 2010/30/EU
 Regulation 1060/2010

ArteVino