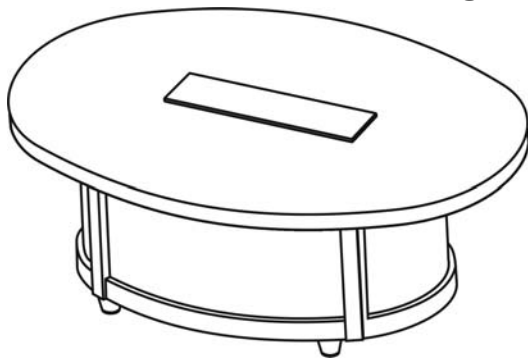


**KIRKLAND SIGNATURE™**  
**5 PIECE WOVEN FIREPLACE CHAT SET**  
**ITM. / ART. 855550**  
**ASSEMBLY INSTRUCTIONS RETAIN FOR FUTURE REFERENCE:**  
**READ CAREFULLY BEFORE ASSEMBLY**



**CSA Model 98300**



**ARH00400**

**Installer:** Leave these instructions with consumer.  
**Consumer:** Keep these instructions for future reference.

**WARNING:** Chemicals known to the State of California to cause cancer and birth defects or other reproductive harm are created by the combustion of propane.


**⚠ DANGER**  
**If you smell gas:**

1. Shut off gas to the appliance.
2. Extinguish any open flame.
3. If odor continues, keep away from the appliance and immediately call your gas supplier or fire department.

**⚠ WARNING:**  
**Improper installation, adjustment alteration, service or maintenance can cause injury or property damage. Read the installation, operating and maintenance instructions thoroughly before installing or servicing this equipment.**

**⚠ WARNING**  
**Do not store or use gasoline or other flammable vapors and liquids in the vicinity of this or any other appliance. An LP-cylinder not connected for use shall not be stored in the vicinity of this or any other appliance.**

**⚠ WARNING: For Outdoor Use Only**  
**FOR USE WITH 20LB (9KG) PROPANE CYLINDER WITH TYPE 1 CONNECTION OR FOR USE WITH NATURAL GAS AFTER CONVERSION KIT IS INSTALLED (MUST BE PROFESSIONALLY INSTALLED) ALSO THE LP REGULATOR MUST BE SUPPLIED BY THE MANUFACTURER.**

<b>⚠ DANGER</b>	<b>CARBON MONOXIDE HAZARD</b>
	<p><b>This appliance can produce carbon monoxide which has no odor.</b></p> <p><b>Using it in an enclosed space can kill you.</b></p> <p><b>Never use this appliance in an enclosed space such as a camper, tent, car or home.</b></p>

**WARNING:**  
**USE FACTORY APPROVED REPLACEMENT PARTS AND ACCESSORIES ONLY. USE OF UNAPPROVED PART OR ACCESSORIES CAN VOID THE WARRANTY ON THIS PRODUCT AND RESULT IN A HAZARDOUS CONDITION. PLEASE CONTACT US FOR INFORMATION REGARDING REPLACEMENT HOSES, THERMOCOUPLES, ELECTRODES, IGNITION MODULES, FIRE ICE, LOGS, FIRE ICE, ETC.**



**Questions, Problems, Missing Parts?** Before returning to your retailer, call our customer service department in the US and Canada at 1-888-383-1932, 9:00am - 5:00pm Monday – Friday, EST. English and French, or you may email [customerservice@agio-usa.com](mailto:customerservice@agio-usa.com),

# TABLE OF CONTENTS

Important Safety Information	3
Important Information About Propane	4
Specification	4
Parts Identification List	5-6
Installation	6-7
Natural Gas Conversion	6-8
Batteries	8
Lighting Instructions	9
Burner cover assembly	9
Maintenance	10
Troubleshooting Guide	10
Warranty	11-12

For additional online video support on troubleshooting and set up, please feel free to visit our website at:

[www.agio-usa.com/support/firepits](http://www.agio-usa.com/support/firepits)

## IMPORTANT SAFETY INFORMATION

The installation must conform with local codes or, in the absence of local codes, with the National Fuel Gas Code, ANSI Z223.1/NFPA 54; International Fuel Gas Code; Natural Gas and Propane Installation Code, CSA B149.1; or Propane Storage and Handling Code, B149.2, as applicable.

The appliance and its appliance main gas valve must be disconnected from the gas supply piping system during any pressure testing of that system at test pressures in excess of 1/2 psi (3.5kPa).

The appliance must be isolated from the gas supply piping system by closing its equipment shutoff valve during any pressure testing of the gas supply system at test pressure equal to or less than 1/2 psi (3.5kPa).

The appliance area must be kept clear and free from combustible materials, gasoline and other flammable vapors and liquids.

Do not use this appliance if any part has been under water. Immediately call a qualified service technician to inspect the appliance and to replace any part of the control system and any gas control which has been under water.

**Children and adults should be alerted to the hazards of high surface temperatures and kept at a safe distance to avoid burns or clothing ignition.**

**Young children should be carefully supervised when they are anywhere near the appliance.**

**Clothing or other flammable material should not be hung from the appliance, or placed on or near the appliance.**

**Any screen or guard removed for servicing an appliance shall be replaced prior to operating the appliance.**

**Installation and repair should be done by a qualified service person. The appliance should be inspected before use and at least annually by a professional service person. More frequent cleaning may be required as necessary. It is imperative that the control compartments, burners and circulating air passageways of the appliance be kept clean.**

Do NOT burn solid fuels in this gas fireplace.

**CAUTION:** The propane gas pressure regulator provided with this appliance must be used. This regulator is set for an outlet pressure of 11 in / 2.74 kPa water column.

This outdoor gas appliance is not intended to be installed in or on recreational vehicles and/or boats.

Before each use of this gas appliance, open the LP (Liquid Propane) Tank Drawer and inspect the LP Hose. If there is evidence of excessive abrasion or wear, or the hose is cut, it must be replaced prior to the gas appliance being put into operation. Use only the replacement hose assembly specified in this manual. Inspect the burner before each use of the appliance. The burner must be replaced prior to the appliance being put into operation if it is evident that the burner is damaged. Use only the burner listed in these instructions. Keep the fuel supply hose away from any heated surfaces.

## IMPORTANT SAFETY INFORMATION ABOUT PROPANE (LP) GAS

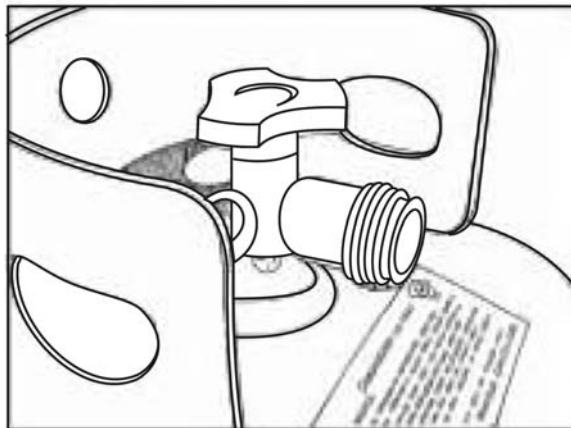
An LP-gas cylinder for use with this appliance must have a capacity of 20 lbs. / 9kgs and must be equipped with a Type 1 connector and an OPD (overfill protection device). Figure 1

The LP-gas supply cylinder to be used must be constructed and marked in accordance with the specification for LP-gas cylinders of the U.S. Department of Transportation (DOT) or the National Standard of Canada, *CAN/CSA-B339, Cylinder, Sphere and Tubes for the Transportation of Dangerous Goods*.

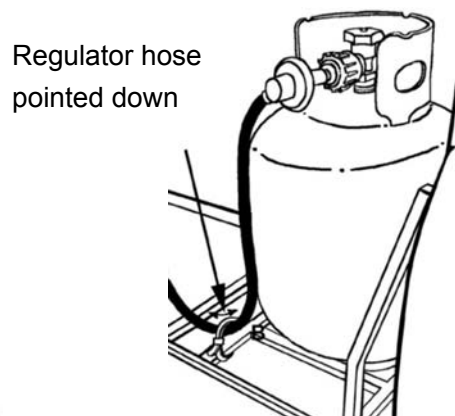
- The cylinder supply system must be arranged for vapor withdrawal.
- The cylinder used must include a collar to protect the cylinder valve.
- This appliance shall be used only outdoors in a well-ventilated space and shall not be used in a building, garage or any other enclosed space.
- When this appliance is not in use, the gas must be turned off at the supply cylinder.
- Storage of this appliance indoors is permissible only if the cylinder is disconnected and removed from the appliance.
- Cylinders must be stored outdoors in a well-ventilated area out of the reach of children. Disconnected cylinders must have threaded valve plugs tightly installed and must not be stored in a building, garage or any other enclosed areas.

CSA (Canadian Standards Association) certified to ANSI Z21.97•CSA 2.41-2012 “Outdoor Decorative Gas Appliances”

The gas hose is routed through a “U” bolt to prevent the hose from coming in contact with the burner. DO NOT remove the hose from the “U” bolt. See Figure 2.



**Figure 1**









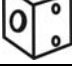





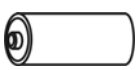
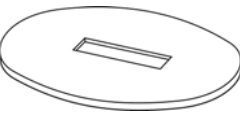
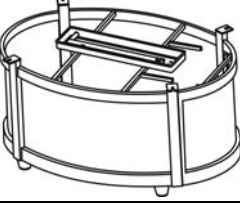




**Figure 2**

## SPECIFICATIONS

INPUT	30,000 Btu/hr	20,000 Btu/hr Low fire
Propane Regulator Pressure	11 in / 2.74 kPa water column	
Natural Gas Minimum Inlet Pressure	7 in / 1.74 kPa water column	
Clearances to combustibles surfaces	Sides: 24 in / 60.96 cm	Top: 72 in / 182.88 cm

## PARTS IDENTIFICATION LIST

	PART	DESCRIPTION	PART#	QTY
A		CONTROL KNOB	FP0245	1
B		GAS VALVE	FP0307	1
C		THERMOCOUPLE	FP0004	1
D		LP REGULATOR HOSE	FP0308	1
E		ELECTRODE	FP0003	1
F		GAS TUBE	FP0309	1
G		ORIFICE ELBOW	FP0310	1
H		IGNITION MODULE	FP0006	1
I		ORIFICE BRACKET	FP0311	1
J		PROPANE ORIFICE	FP0312	1
K		NATURAL GAS ORIFICE	FP0313	1
L		LP TANK RETAINING KNOB	FP0585	2
M		FIRE ICE SET	FP1078	1
N		ADJUSTABLE FOOT CAPS	FC0759	4
O		"AAA" BATTERY(1.5V)	HW0705	1
P		FIREPIT TOP	FP1220	1
Q		FIREPIT BASE	FP1221	1
R		FIREPAN/BURNER ASSEMBLY	FP1222	1
S		BURNER COVER	FP1223	1

# INSTALLATION

1. Pour the fire ice into the burner pan completely covering the burner. See Figure 3.

BURNER PAN

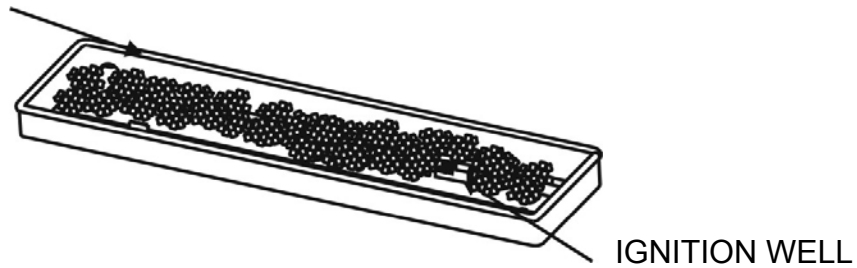


Figure 3

2. Remove the cardboard cover from the ignition well as shown in Figure 4. Remove any lava rock or fire ice on top of ignition well.

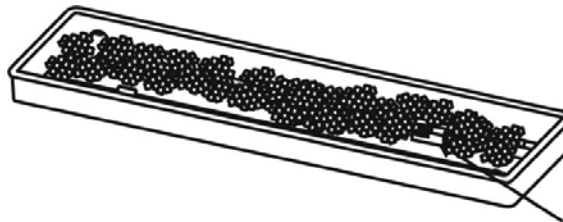


Figure 4

CARDBOARD COVER

3. Slide the tank drawer out and place the LP tank in the drawer. Connect the regulator as shown in Figure 5. Screw the black handle clock-wise to tighten. Turn the handle counter clock-wise to remove. The hose must point down. Check that the valve is turned all the way clockwise to the "OFF" position. Open the tank valve. Apply a solution of soapy water to the tank-regulator connection and to the valve-hose connection to check for leaks. If soap bubbles continue to form, the connection has a leak. If a leak is found, close the tank valve and tighten all connections.

**NEVER USE A FLAME TO CHECK FOR LEAKS.**

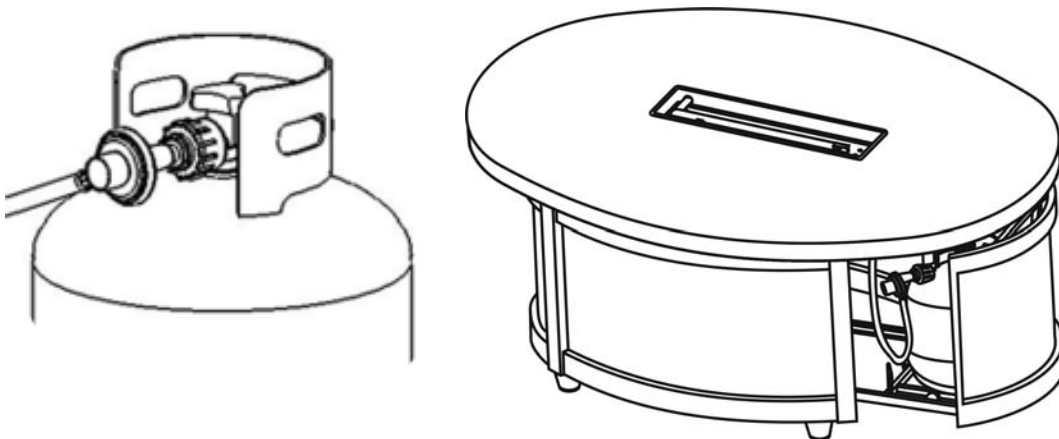


Figure 5

4. Tighten threaded knobs (L) found on tank tray (Figure 6) so that the LP tank cannot move from side to side. Do not remove plastic cap from end of threaded section.

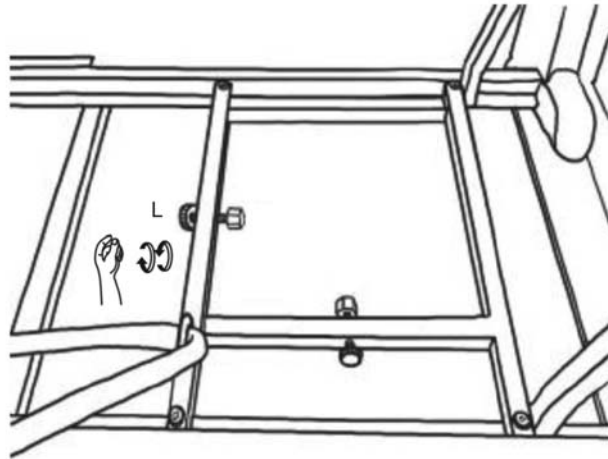


Figure 6



## NATURAL GAS CONVERSION



Natural gas conversion must be performed only by your natural gas provider or service company.

1. Disconnect the regulator hose from the gas valve. See Figure 7.

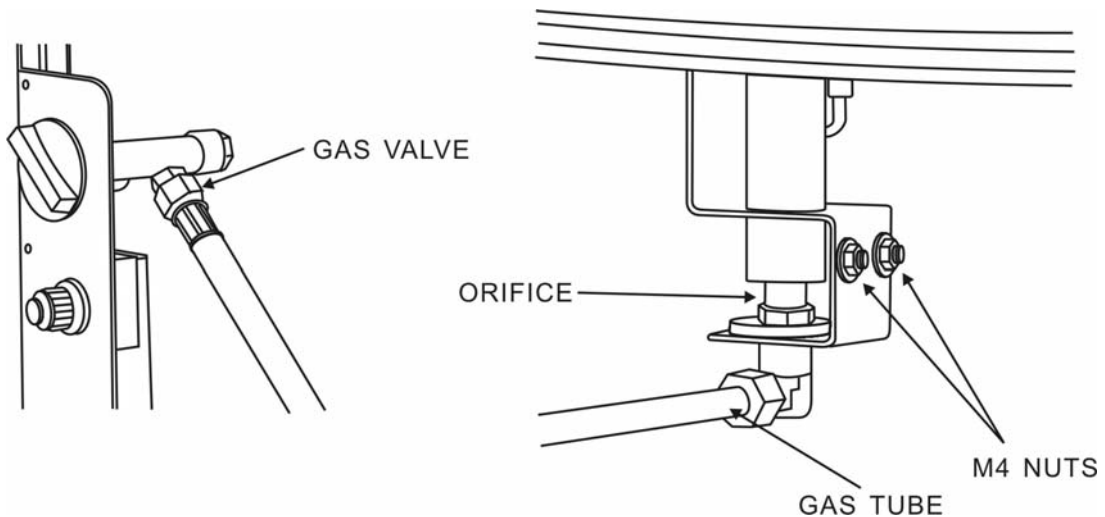


Figure 7

2. Disconnect the gas tube from the orifice elbow. Remove the two M4 nuts and remove the orifice holder. Replace the propane orifice with the natural gas orifice from the kit and reinstall the orifice holder. Apply a solution of soapy water to all connections to check for leaks. If soap bubbles continue to form, the connection has a leak. If a leak is found, close the main valve and tighten all connections. **NEVER USE A FLAME TO CHECK FOR LEAKS.**

- Stick the conversion label on the rating plate as shown in Figure 8.

### Metal Rating Plate

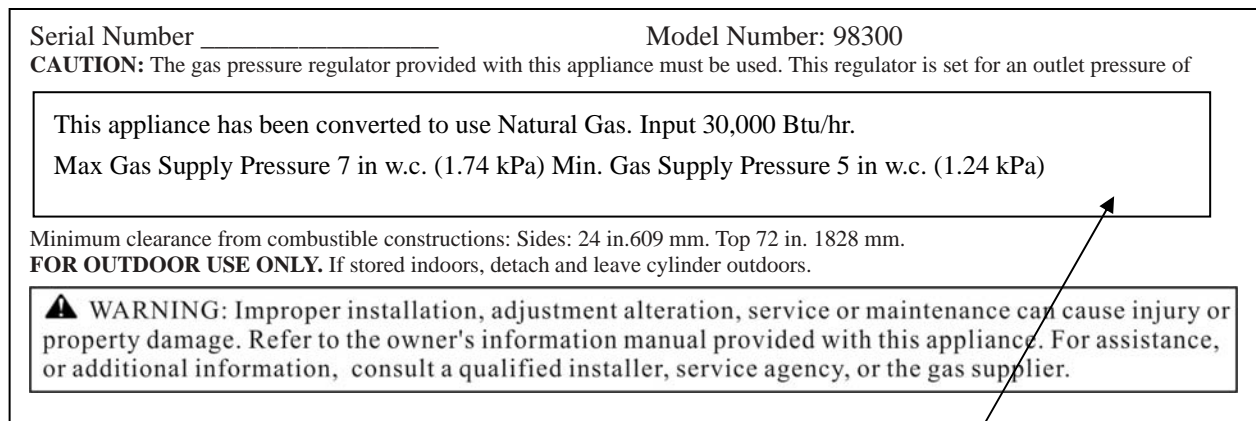


Figure 8

Conversion Label

## BATTERIES

Make sure the control knob is in the "OFF" position.  
Unscrew the push button cap on the ignition module located on the control panel to access the battery compartment. The ignition module requires one Alkaline AAA size battery (1.5V). The negative (-) end goes in first. See Figure 9. Dispose of battery safely. Battery may explode or leak if charged or disposed of in fire. Make sure of the polarity. The battery is mercury and cadmium free.

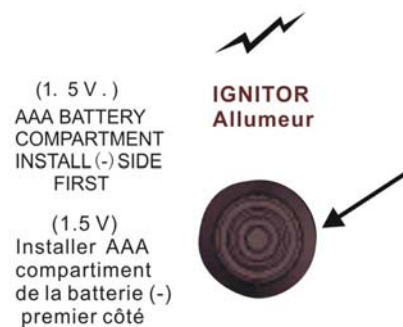


Figure 9

### CAUTIONS: BATTERY INSTRUCTIONS

- Always purchase the correct size and grade of battery most suitable for the intended use.
- Always replace the whole set of batteries at one time, taking care not to mix old and new ones, or batteries of different types.
- Clean the battery contacts and also those of the device prior to battery installation.
- Ensure the batteries are installed correctly with regard to polarity (+ and -).
- Remove batteries from equipment which is not to be used for an extended period of time.
- Remove used batteries promptly.

For recycling and disposal of batteries to protect the environment, please check the internet or your local phone directory for local recycling centers and / or follow local government regulations.



## LIGHTING INSTRUCTIONS

Warning: If these instructions are not followed exactly, a fire or explosion may result causing property damage, personal injury or loss of life.

1. Open the tank drawer and find the control panel on the left. Make sure the control knob is in the "OFF" position. See Figure 10. Open the tank valve all the way.
2. Push in the igniter button. You will hear a slight clicking sound. With the igniter button pushed in, push and turn the control knob to the "ON" position. The fire should light within a few seconds. Once the flame is lit, release the igniter button and continue to hold the control knob in for 10 to 15 seconds. Release the control knob. The control knob should pop back out and the fire remain lit. Note: If the fire does not light, turn the knob to the "OFF" position and wait five (5) minutes before trying again.

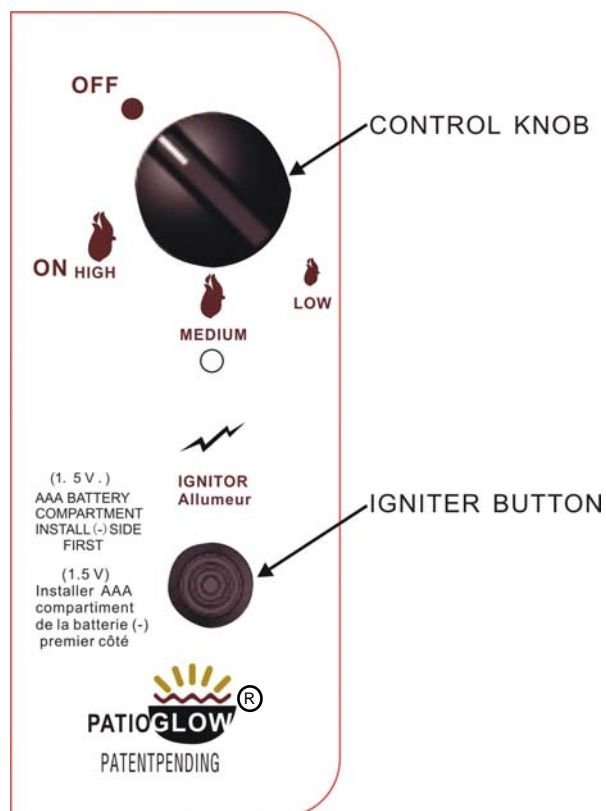


Figure 10

3. To turn down the flame, push the control knob in slightly and turn to Medium (medium flame), or Low (small flame).
4. To turn off the fire pit, turn the control knob to the "OFF" position and turn off the tank valve.

## BURNER COVER ASSEMBLY

Place the burner cover on the table top as shown in Figure 11.

**WARNING: BEFORE PLACING THE BURNER COVER ON, MAKE SURE THE FIREPIT HAS BEEN SHUT OFF AND THE BURNER HAS COMPLETELY COOLED DOWN.**

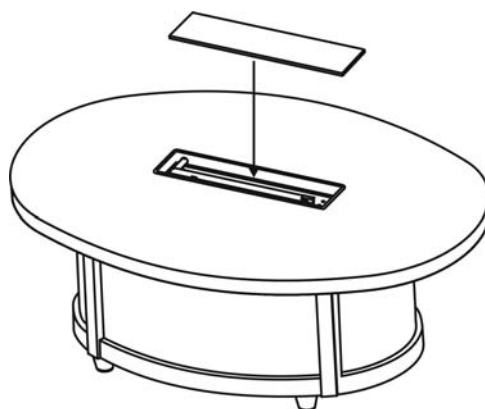


Figure 11

# MAINTENANCE

The flames should look like those in Figure 12. To clean the burner, use a soft brush after the burner has cooled completely. Never use a vacuum cleaner on the burner. It is recommended to store the fire pit indoors during winter if it will be subjected to freezing temperatures. The LP cylinder must be disconnected and removed from the appliance before the appliance can be stored indoors.

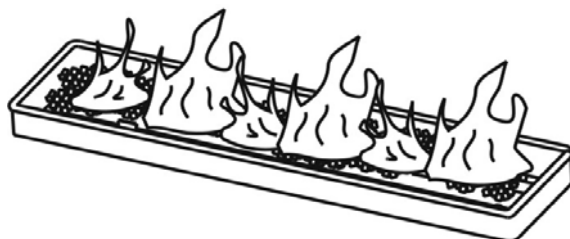


Figure 12

## TROUBLESHOOTING GUIDE

PROBLEM CAUSE		REMEDY
Burner won't light	No Propane Gas at Burner	Check that gas tank valve is open. Turn control knob to "ON" and push control knob in. Make sure tank has propane gas.
	No Spark at Electrode	Check that AAA battery is installed with negative (-) end first and has a charge. Check that the wire is connected to the ignition module. Check that the electrode is not cracked or broken.
	Lack of oxygen	Remove excess lava rocks or fire ices from around the ignition well.
Burner won't stay lit after lighting	Thermocouple not in flame	Check that the tip of the thermocouple is even with the top of the ignition well. Remove any fire ice from the ignition well.
	Thermocouple connection at the main control valve is loose	Tighten the thermocouple nut at the back of the valve.
	No Fire Ice on Burner	Cover the burner with fire ice per the instructions

# One Year Limited Warranty for Firepit

## What is covered under this warranty?

Subject to the terms and conditions set forth below, fireplaces are warranted against defects in material and workmanship for a period of one year.

If you have questions regarding care and maintenance of the item(s) you have purchased, please see the accompany care and maintenance guide or visit our website at [www.agio-usa.com](http://www.agio-usa.com). If you have further questions, please call our customer service center in the US and Canada at 1-888-383-1932.

## How Do I Obtain Warranty Service?

To obtain warranty service, you must contact our customer service center within the relevant warranty period and provide us with a copy of your dated register receipt as proof of the purchase date. We reserve the right to request photographs and/or return of the defective item(s) and/or such other evidence relating to any claim as we shall reasonably require. Warranty claims for missing or damaged items must be submitted within 90 days of purchase. If you purchased our product through any of our dotcom retailers and receive a damaged item, please contact the retailer to report shipping damage. Please call our customer service center in the US and Canada at 1-888-383-1932 for additional warranty claim details and procedures. You may also contact us by emailing [customerservice@va-cs.com](mailto:customerservice@va-cs.com). Hours of operation are Monday-Friday 9:00 AM – 5:00 PM Eastern Standard Time.

## What are the Limitations and Exclusions of this Warranty?

Warranty Limitations: This warranty is subject to the limitations set forth above. In addition, this warranty is made to the original purchaser only, and is effective only if items are purchased from one of our authorized dealers. This warranty is not transferable. For warranty replacements based on warranty claims submitted within one year of purchase, we will pay shipping and handling charges within continental North America. After the first year, shipping and handling charges are your responsibility. We will not be responsible for charges associated with shipments outside continental North America at any time or for any reason.

This warranty is given and relates to product sold to your retailer by an Agio International Company, Limited; Dimension Industries Company, Limited; or Woven Design Company, Limited. It may also relate to products otherwise sold under the Agio brand. Warranty services are administered by Point of Impact, Inc., an independent contractor, which is not responsible for the warranty obligations set forth herein.

Warranty exclusions: This warranty is subject to the exclusions set forth above. In addition, the following are excluded from coverage under this warranty: any item used for commercial, contract or any other non-residential purpose; display models or items purchased "as is"; freight damage; items subject to misuse, abuse, neglect or lack of proper

care or maintenance (including without limitation as provided in any “care and maintenance guide” or similar information we provide); normal wear and tear; damage caused by acts of nature, acts of force majeure, vandalism, fire or other casualty, or improper assembly; hardware against corrosion or rusting; purchased or replacement parts; and all plastic parts. Also excluded are loss of use or time; inconvenience; money; travel; packaging or incidental, special or consequential damages of any kind. Replacement of defective items or parts as provided herein, or prorated refund of your purchase price, at our sole discretion, shall constitute your sole and exclusive remedy for items which are not as warranted. In no event shall our responsibility exceed the purchase price of the item found to be other than as warranted. This warranty is the exclusive statement of your rights with respect to items you have purchased and supersedes any other express warranty or statement, written or oral, made in connection with the purchase and sale of such items. The term “item” when used herein in the singular refers to the specific piece found to be defective, and not to the entire set of which the item is a part.

Some states do not allow exclusion or limitation of incidental or consequential damages, so the limitation may not apply to you. This warranty gives you specific legal rights, and you may also have other rights that vary from state to state.

Every Kirkland Signature Product is guaranteed to meet or exceed the quality standards of the leading national brands. If you are not completely satisfied, your money will be refunded by Costco.

Our goods come with guarantees that cannot be excluded under the Australian Consumer Law. You are entitled to a replacement or refund for a major failure and for compensation for any other reasonably foreseeable loss or damage. You are also entitled to have the goods repaired or replaced if the goods fail to be of acceptable quality and the failure does not amount to a major failure.