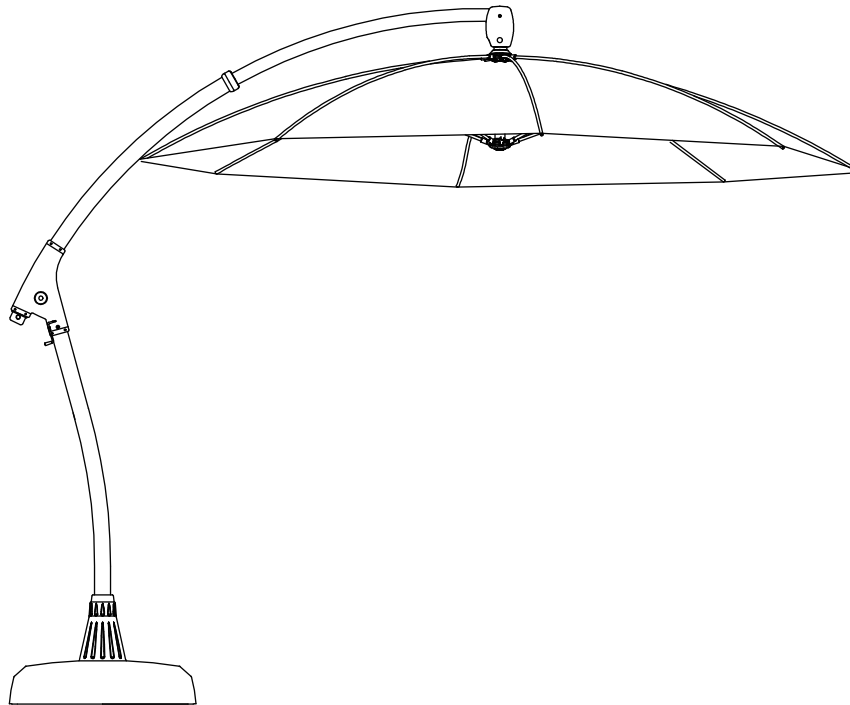







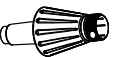
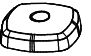

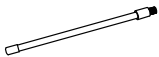


11 FT CANTILEVER PATIO UMBRELLA WITH BASE
ITM. / ART. 853331
ASSEMBLY INSTRUCTIONS
IMPORTANT,RETAIN FOR FUTURE
REFERENCE:READ CAREFULLY

For customer service in the US and Canada,call:1-877-730-1583 Customer service hours are 9:00am-5:00pm, Monday-Friday(EST)



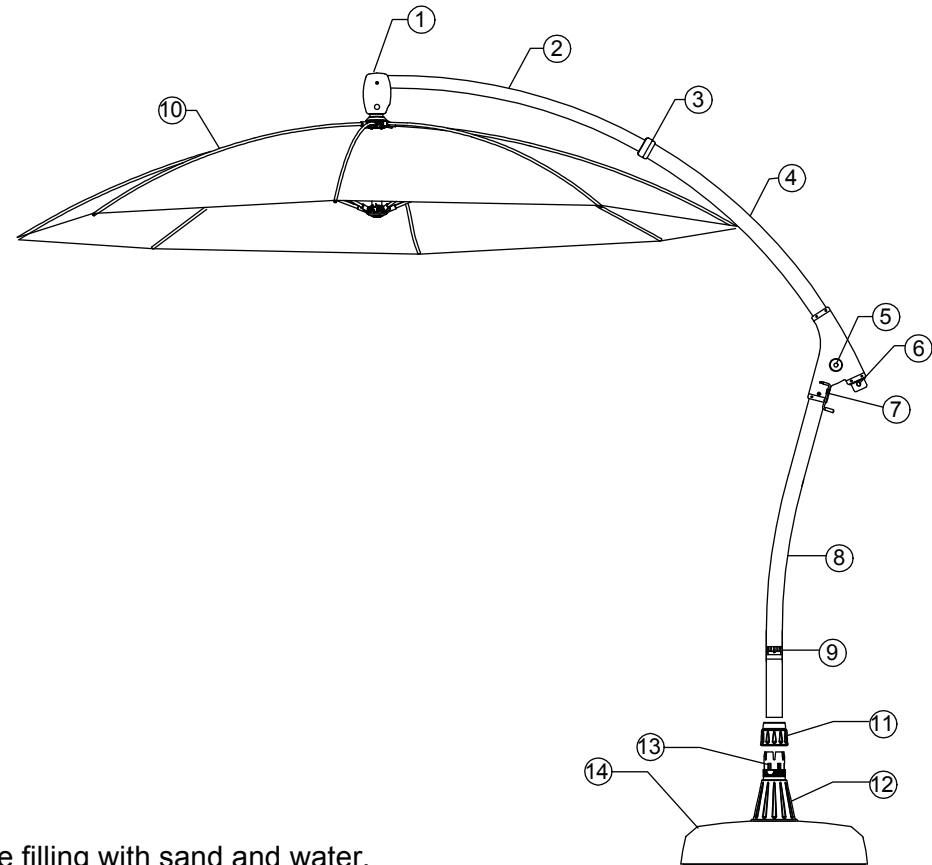
	PARTS LIST	DESCRIPTION	QTY
A		Frame and Canopy	1
B		Lower umbrella pole	1
C		Hardware Package	1
D		Umbrella Cover	1
E		Operation Manual	1
F		Nut	1
G		Fixed Ring	1
H		Standing Tube	1
I		Base	1
J		Pole	1
K		Umbrella Cover Support Rod	4

NOTE: Parts shown on part list are not to scale.

PARTS LIST

1. Head Hinge
2. Sliding Tube
3. Slide Stopper
4. Sliding Support Tube
5. Crank hole for moving umbrella pole up and down
6. Crank hole for opening and closing umbrella
7. Crank Handle
8. Lower Umbrella Pole
9. Locking Ring
10. Umbrella Canopy
11. Nut
12. Standing Tube
13. Fixed Ring
14. Base

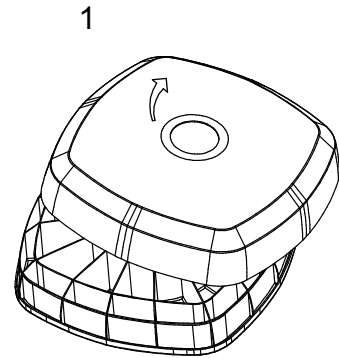
Note: Parts 11-14 are packed in box 2 of 2.



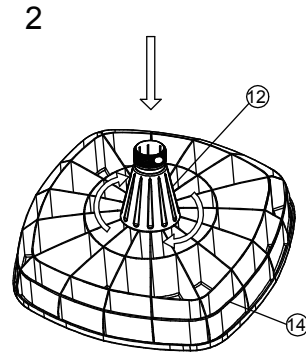
CAUTION:

1. Place the base in the desirable location for use before filling with sand and water.
After filling with sand and water, base is not easy to move.
2. To avoid personal injury or damage to the umbrella, make sure the area around you is clear from any outdoor structure or furniture.

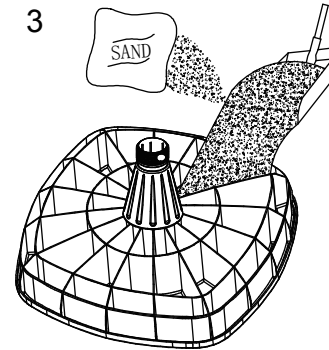
ASSEMBLING THE BASE



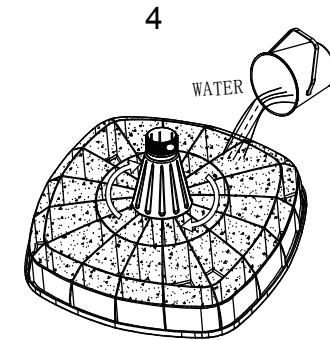
- Remove base cover.



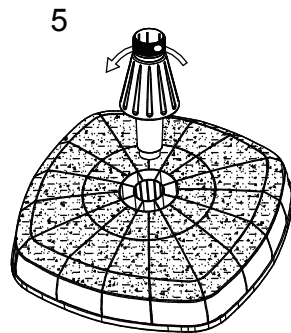
- Insert standing tube.



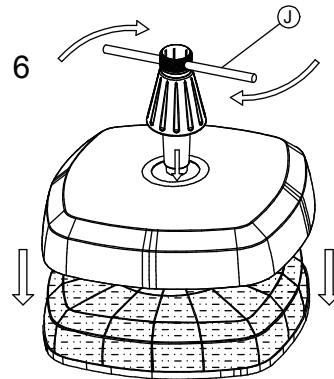
- Fill base with sand. It is recommended to use 200 lbs / 90 kg of sand.



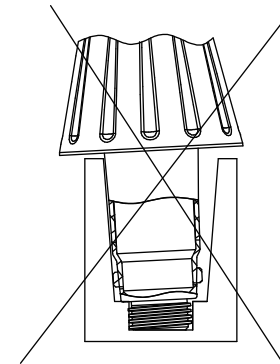
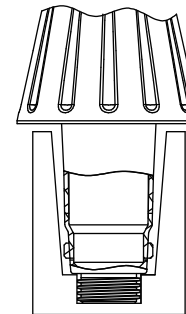
- Add water to wet the sand.



- Remove standing tube.



- Reinstall base cover.



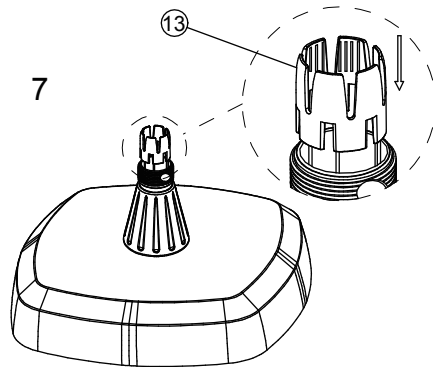
WARNING: Keep the standing tube straight!

Caution:

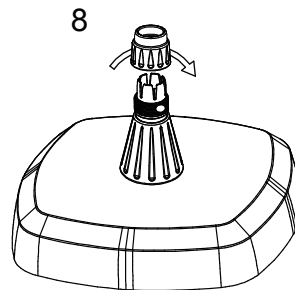
- Remove the standing tube carefully (step 5) to avoid sand into the center of the base shell.
- Fill the base completely with 200 lbs / 90 kg sand, then add water to wet down the sand.

ASSEMBLING THE BASE

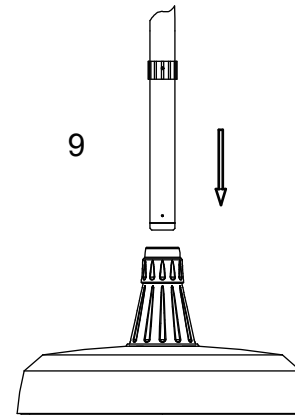
- Only use the base provided with this umbrella. Other bases may not fit with this umbrella and could cause a safety issue.
- Make certain the base is securely placed on flat surface before inserting the umbrella.



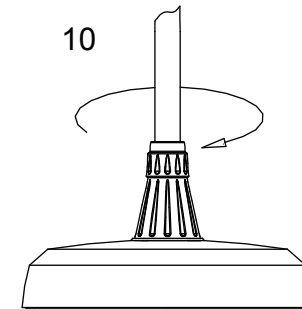
- Fixed Ring: Make sure the side with thread is facing upwards.



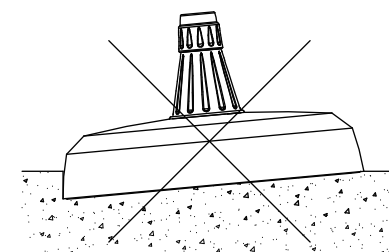
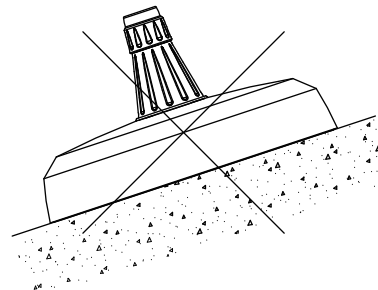
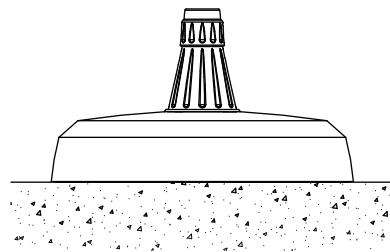
- DO NOT fasten the nut tightly or the lower umbrella pole can't be inserted into the base.



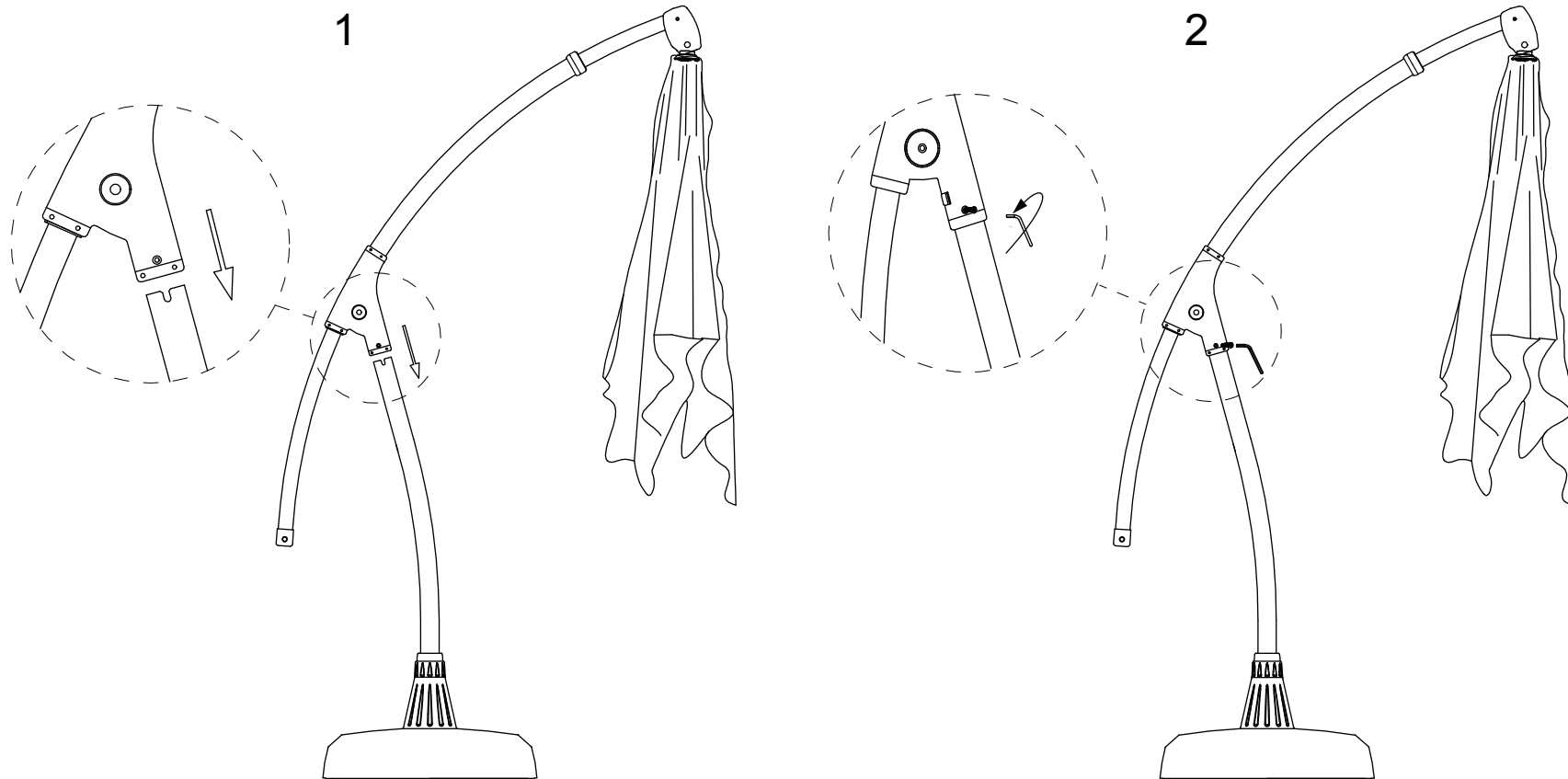
- Make sure the thread of fixed ring and locking ring are matched.



- Turn pole clockwise.



ASSEMBLING THE UMBRELLA

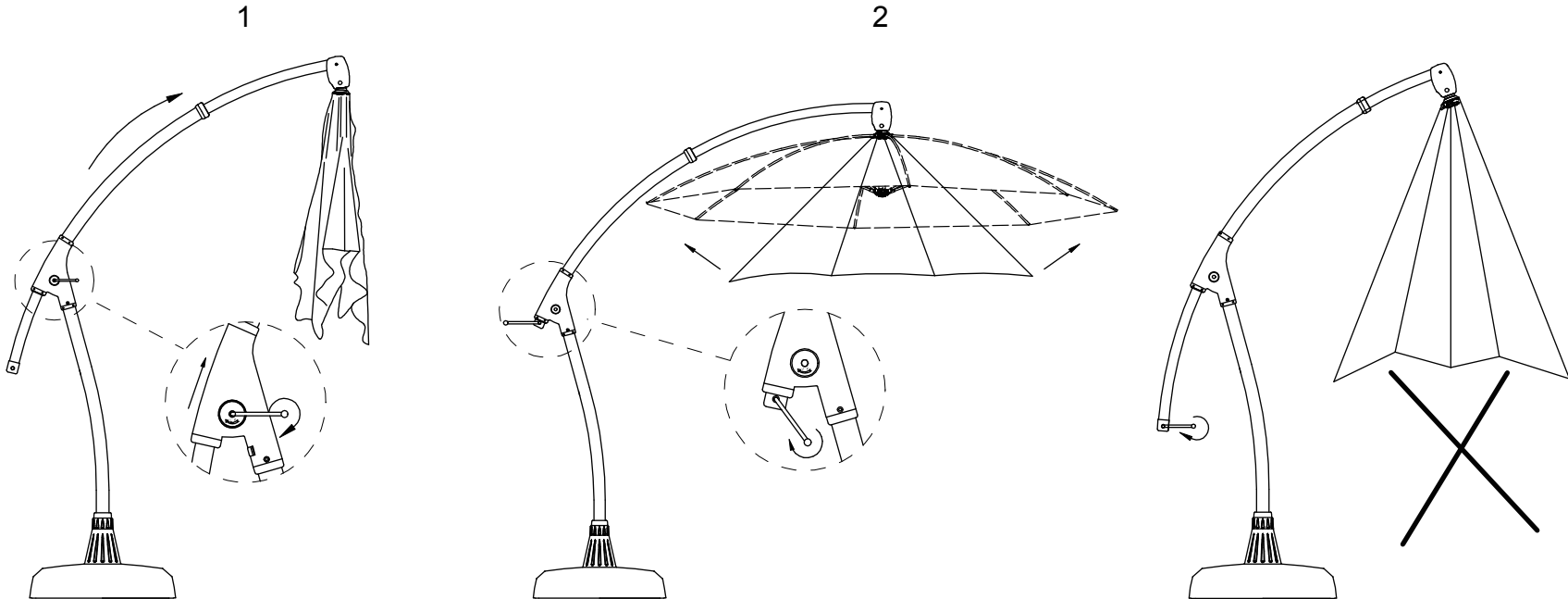


- **Step 1: Make sure the holes of the two parts align.**
- **It is recommended to use 2 people when placing the umbrella in the base.**

OPERATING THE UMBRELLA

OPENING UMBRELLA

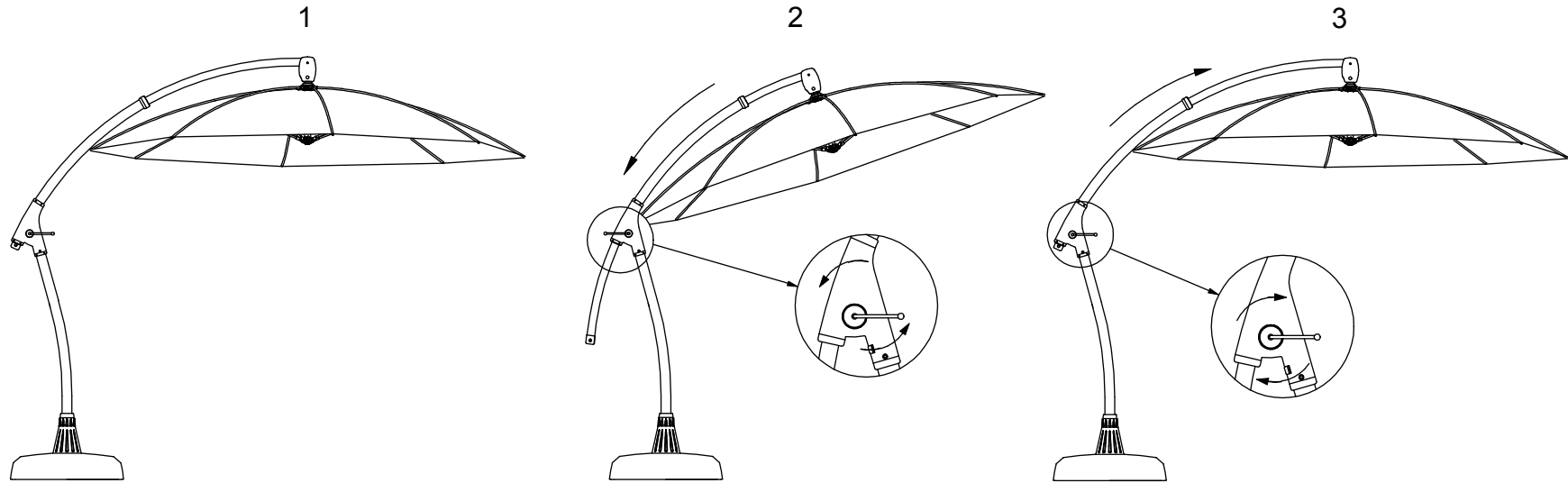
- Fully extend sliding tube before opening umbrella.



- Once the umbrella is fully opened, do not continue to turn crank, otherwise the stop mechanism will not function properly.

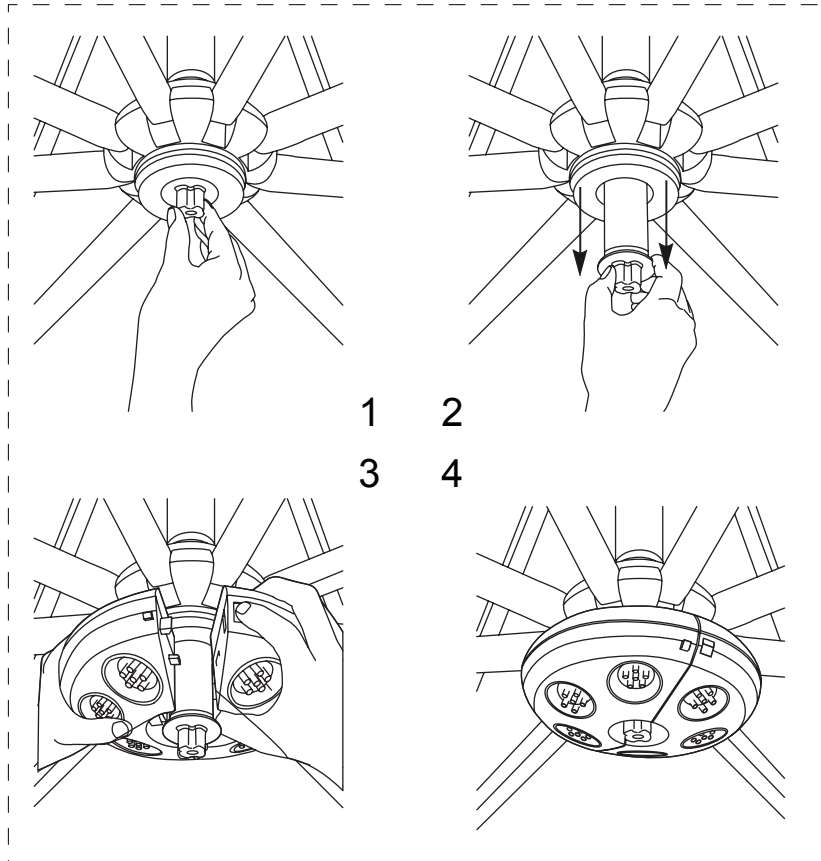
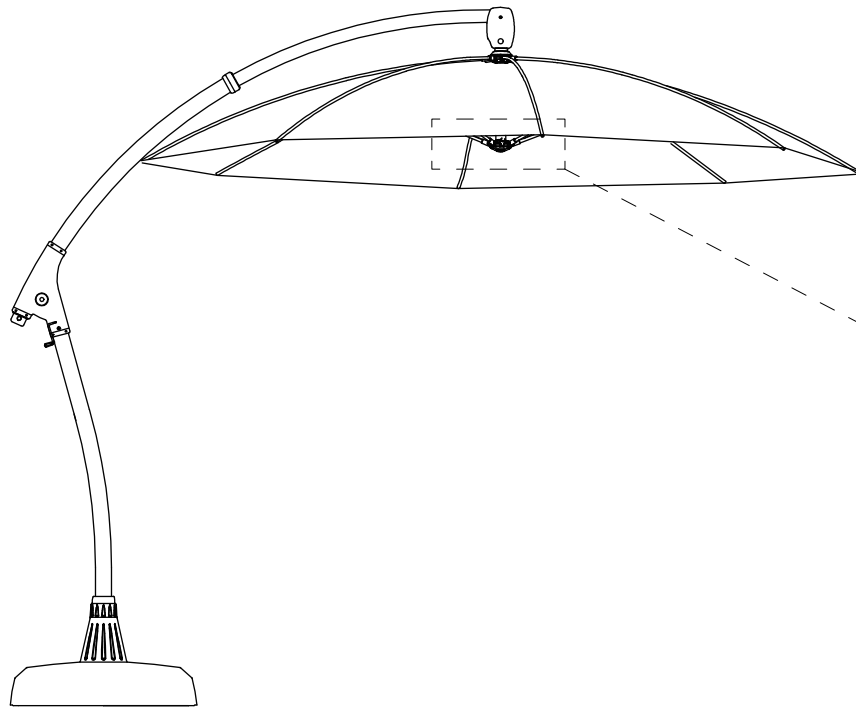
- **Caution:** Do not open the umbrella before the sliding tube is fully extended. Otherwise the parts will be damaged.

TILTING THE UMBRELLA



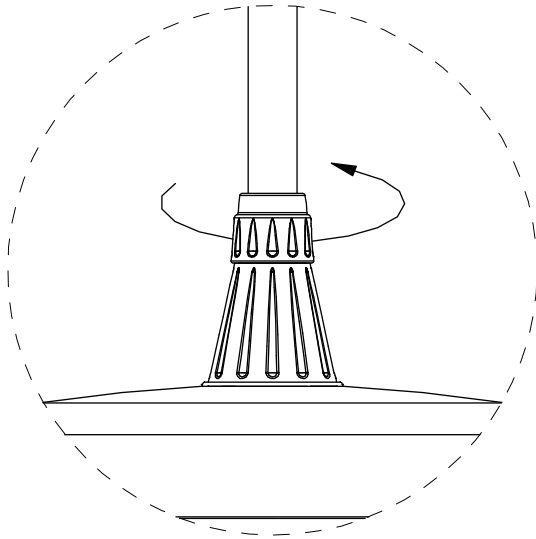
- Turn the crank counter-clockwise to tilt the umbrella to desired position when it is fully opened.

UMBRELLA LIGHT INSTALLATION
(UMBRELLA LIGHT IS NOT INCLUDED)

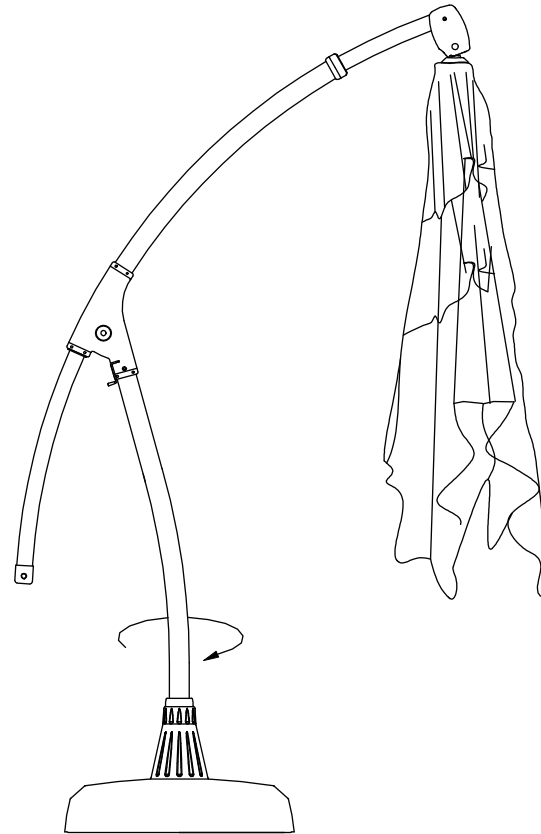


ROTATING THE UMBRELLA

- **Caution:** Only rotate the umbrella in its closed position.

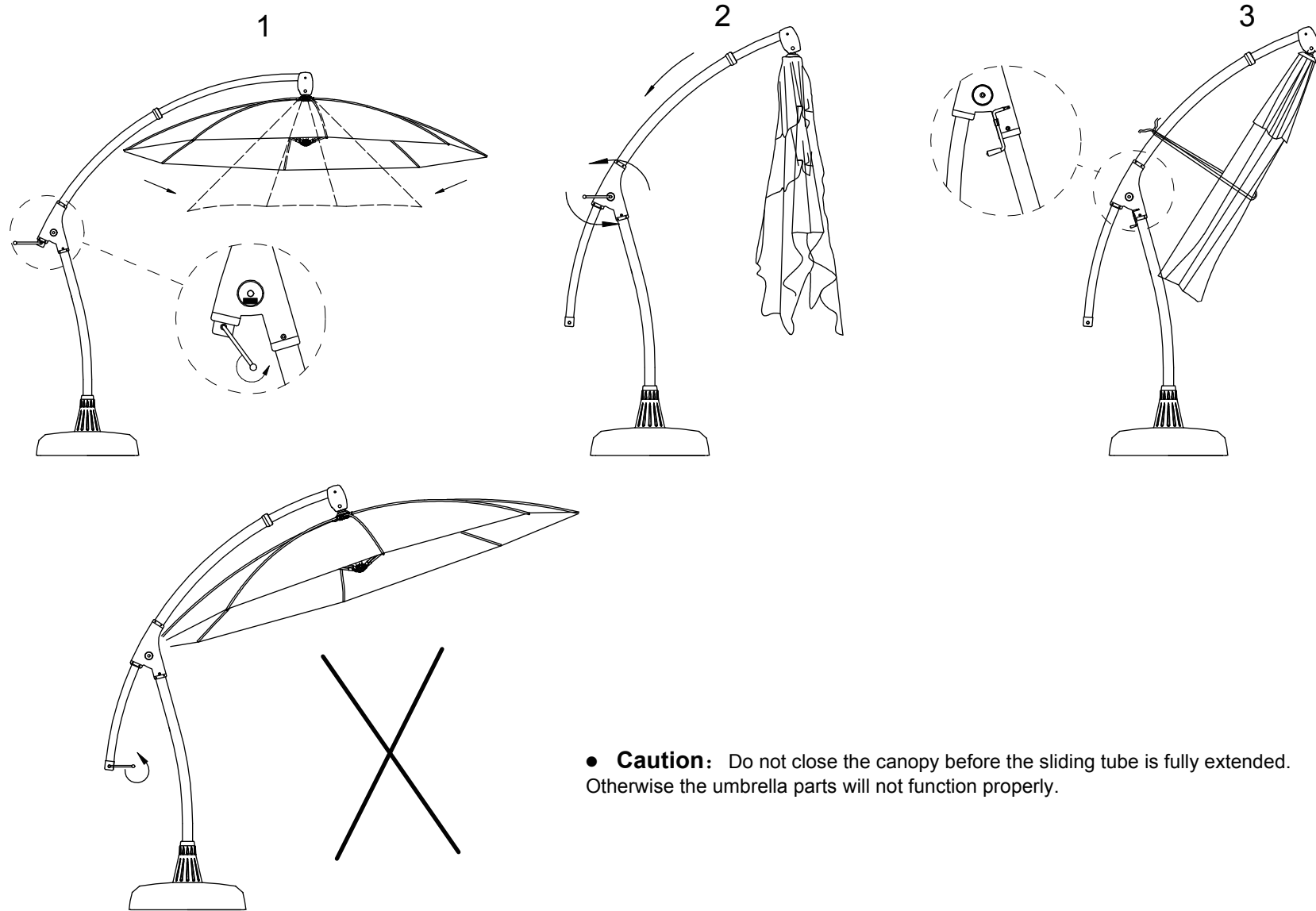


- **Release the nut by turning counter-clockwise.**

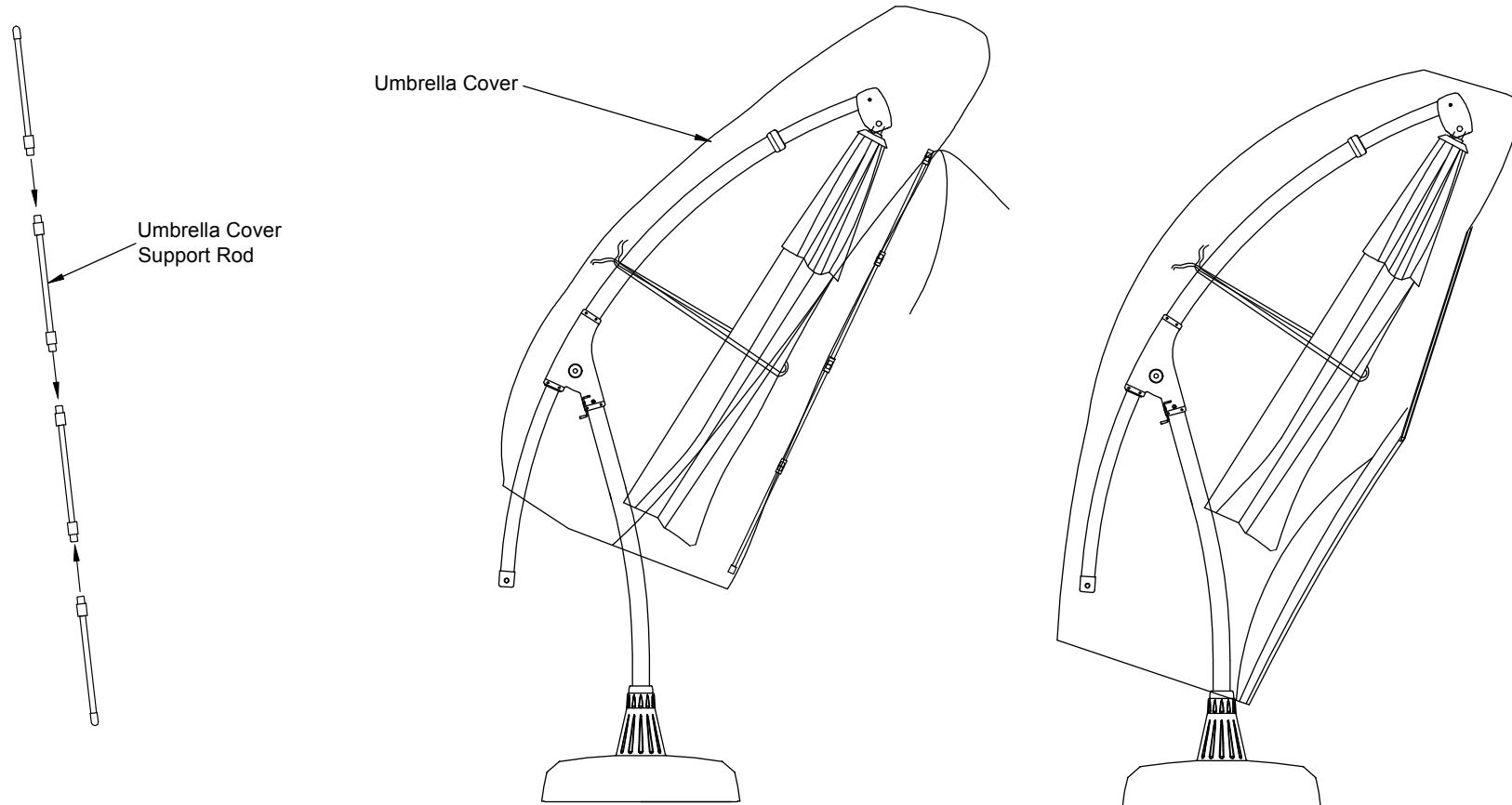


- **Turn the lower umbrella pole to your desired position, then lock the nut.**

CLOSING THE UMBRELLA



UMBRELLA COVER



Caution:

Use umbrella cover only when umbrella is completely dry.

Umbrella should be closed or stored indoors during windy conditions. Do not use during severe weather conditions.

For customer service in the US and Canada, call: 1-877-730-1583
Customer service hours are 9:00am-5:00pm, Monday-Friday(EST)

11 FT CANTILEVER PATIO UMBRELLA WITH BASE
LETTER OF WARRANTY
ITM. / ART. 853331

Please be advised that the manufacturer provides a one-year warranty that this product will be free from defects in original materials and workmanship for 3.3 m / 11 ft Cantilever Patio Umbrella with Base.

Frame

Frames are warranted to be free from defects in materials and workmanship for a period of one year. Damage to frames or welds due to improper assembly or exposure to water and sub-freezing temperatures is not covered. Do not allow water to accumulate inside frames.

Finish

The finish is warranted against peeling, cracking, or blistering for a period of one year provided the unit has not been scratched or abraded. Scratches and chips resulting from abnormal wear and tear are not covered. Fading resulting from exposure to elements is not covered.

Fabric

Fabric is warranted for a period of one year against separation at the seams. Fading or discoloration resulting from exposure to the elements, chemicals, or from spills is not covered.

Note: All operation should be according to the instruction manual.

* This warranty DOES NOT COVER the following items:

Failure caused by unreasonable or abusive use; failure caused by neglect of reasonable and necessary care; acts of nature (including but not limited to wind, hurricanes, tornadoes, and storms) are not covered by this warranty. ***The product is not covered by this warranty after one year from the date of purchase.***