

**INSTRUCTION MANUAL**

- Please read these instructions carefully before using your Swiffer® Sweeper Vac™.
- Let us help you put your cleaner together or answer any questions, call: 1-800-395-5594 (USA & Canada) • Website: [www.swiffer.com](http://www.swiffer.com)

**WARNING:** Cleaner assembly may include small parts. Small parts can present a choking hazard.

Part Number 1-113062-000 • 10/03

For quick reference, please record your vacuum information below.  
 Model #: \_\_\_\_\_  
 Mfg. Code: \_\_\_\_\_  
 (Mfg. code located on the lower backside of cleaner)

**IMPORTANT SAFETY INSTRUCTIONS**  
**SAVE THESE INSTRUCTIONS**

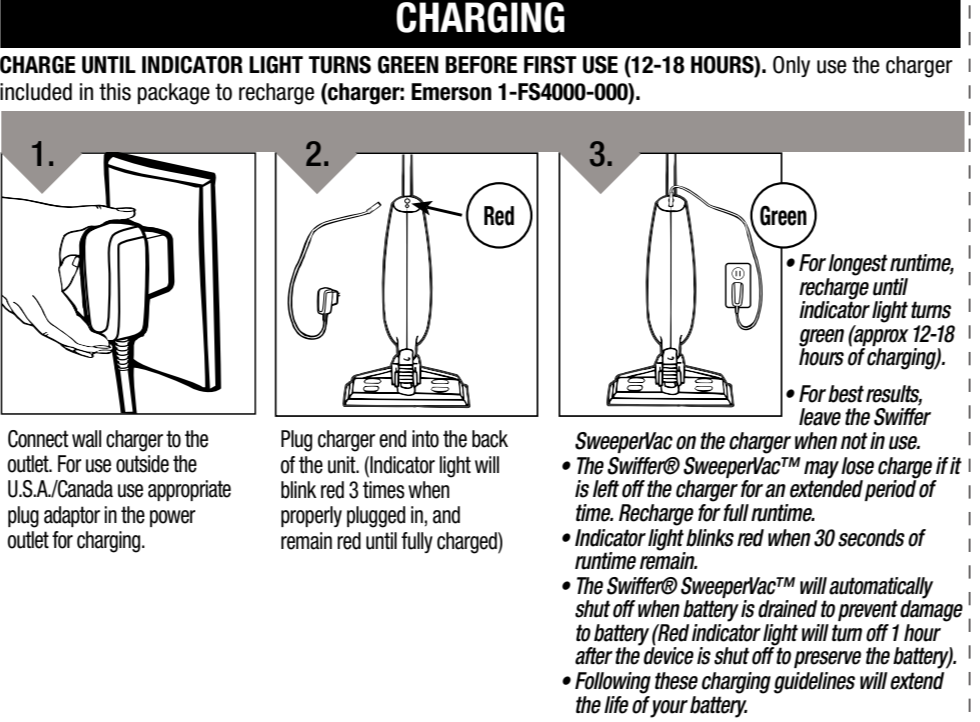
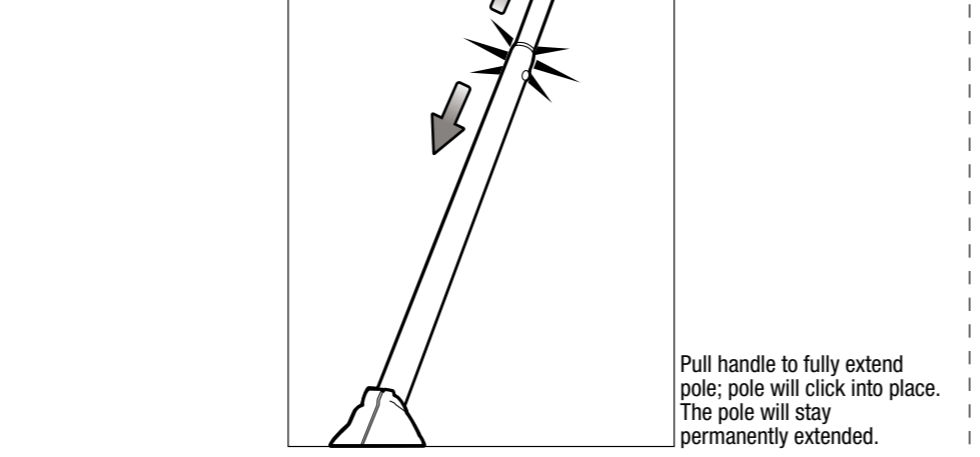
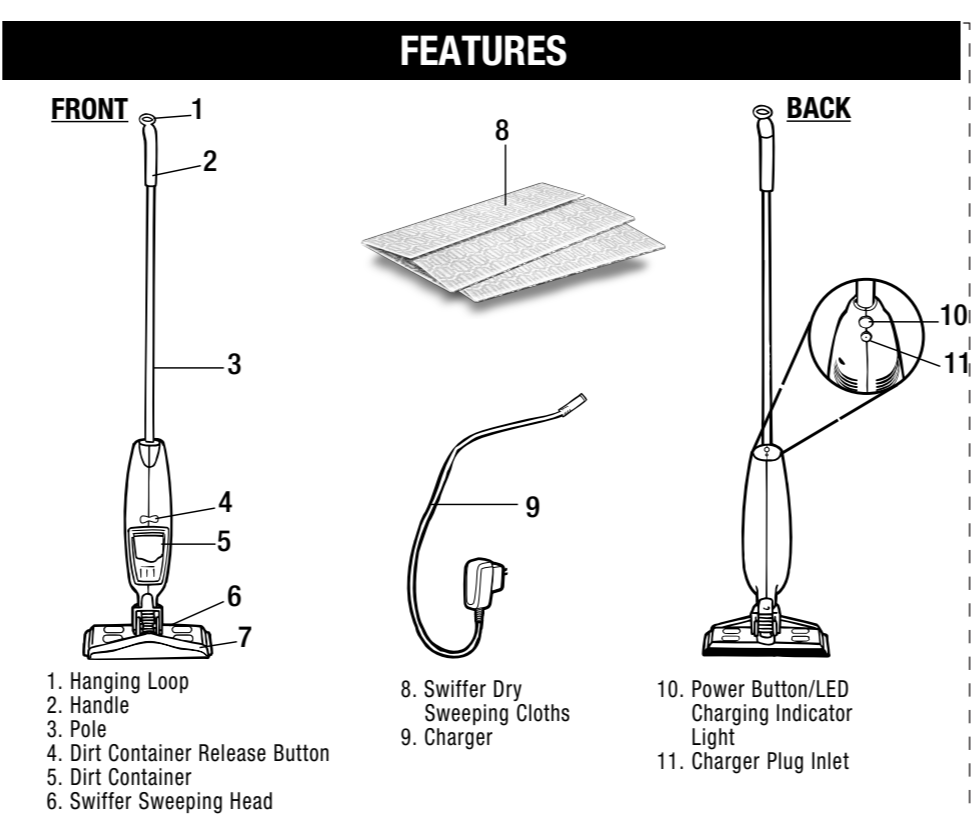
When using an electrical appliance, basic precautions should always be followed, including the following:

- READ ALL INSTRUCTIONS BEFORE USING THIS APPLIANCE
- ALWAYS FOLLOW THESE SAFETY INSTRUCTIONS
- DO NOT LEAVE CLEANER UNATTENDED WHILE IN USE
- WARNING – FULLY ASSEMBLE CLEANER BEFORE OPERATING
- WARNING – THE CORDS, WIRES AND/OR CABLES SUPPLIED WITH THIS PRODUCT CONTAINS CHEMICALS, INCLUDING LEAD OR LEAD COMPOUNDS, KNOWN TO THE STATE OF CALIFORNIA TO CAUSE CANCER AND BIRTH DEFECTS OR OTHER REPRODUCTIVE HARM. WASH HANDS AFTER USING.

**WARNING: TO REDUCE THE RISK OF FIRE, ELECTRIC SHOCK OR INJURY:**

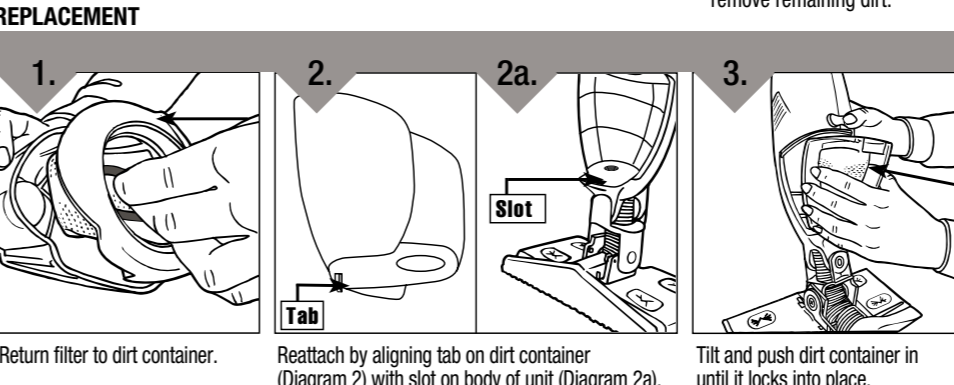
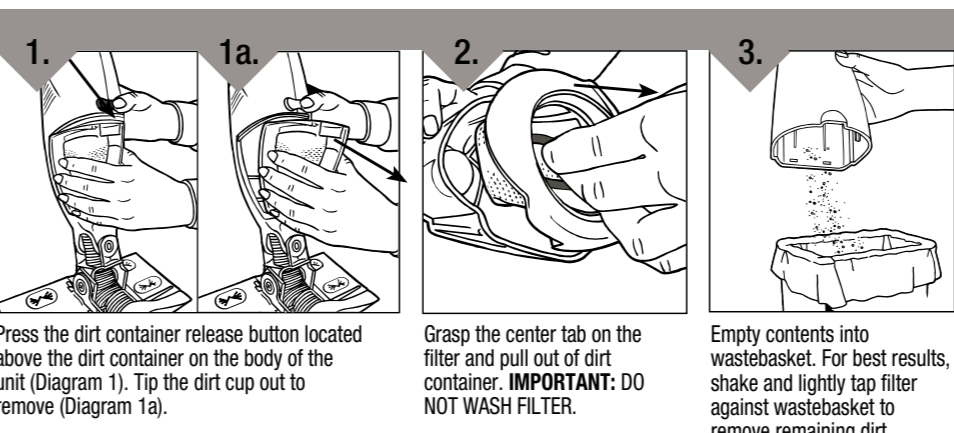
- Unplug charger when charging is completed and before servicing.
- Do not use outdoors or on wet surfaces.
- Do not charge the unit outdoors.
- Do not allow to be used as a toy. Close attention is necessary when used by or near children.
- Use only as described in this manual. Use only manufacturer's recommended attachments.
- Do not use charger with damaged cord or plug. If vacuum or charger is not working as it should, has been dropped, damaged, left outdoors, or dropped into water, call 1-800-395-5594.
- Do not abuse the cord. Never carry the charger by the cord or yank to disconnect from an outlet; instead grasp the charger and pull to disconnect. Keep cord away from heated surfaces. Do not pull cord around sharp edges or corners. Do not close door on the charger cord.
- Do not handle charger or appliance with wet hands.
- This product includes rechargeable nickel cadmium batteries. Do not incinerate batteries or expose to high temperatures, as they may explode.
- Unplug the charger from the outlet before any routine cleaning or maintenance.
- Do not put any object into openings. Do not use with any opening blocked; keep free of dust, lint, hair, and anything that may reduce air flow.
- Keep hair, loose clothing, fingers, and all parts of body away from openings and moving parts.
- Do not pick up anything that is burning or smoking, such as cigarettes, matches or hot ashes.
- Do not use the vacuum cleaner without filter in place.
- Use extra care when cleaning on stairs.
- Do not use to pick up flammable or combustible liquids, such as gasoline, or use in areas where they may be present.
- Leaks from battery cells can occur under extreme conditions. If the liquid, which is 20-35% solution of potassium hydroxide, gets on the skin (1) wash quickly with soap and water or (2) neutralize with a mild acid such as lemon juice or vinegar. If the liquid gets into the eyes, flush them immediately with clean water for a minimum of 10 minutes. Seek medical attention.
- Use only the charger supplied by the manufacturer to recharge.
- Store the vacuum cleaner indoors. Put the vacuum cleaner away after use to prevent tripping accidents.
- Keep Swiffer cloths out of reach of toddlers and pets to avoid accidental ingestion.
- This appliance has no user serviceable parts.

**SAVE THESE INSTRUCTIONS**



**DIRT CONTAINER AND FILTER: REMOVAL AND REPLACEMENT**

IMPORTANT: FOR BEST RESULTS, CLEAN FILTER AFTER EACH USE. Replace filter every 6 months. For filter replacement Part # 3-SG1550-001, please visit your local retailer or go to [www.swiffer.com](http://www.swiffer.com).



**TROUBLESHOOTING GUIDE**

WARNING: TO REDUCE RISK OF PERSONAL INJURY – UNPLUG CLEANER BEFORE TROUBLESHOOTING

PROBLEM	POSSIBLE REASONS	POSSIBLE SOLUTIONS
Swiffer® SweeperVac™ won't run	1. Battery not charged. 2. Battery dead - won't hold a charge.	1. Charge battery. For first use, charge until green indicator light turns on. Charge until indicator light turns green between uses for optimum runtime. 2. Make sure device is turned off, device won't charge if left on. 3. Battery will slowly lose charge over long periods of nonuse. Remove device from charger and plug back into charger. Charge until indicator light turns green. 4. Call 1-800-395-5594
Swiffer® SweeperVac™ doesn't run for very long	1. Battery isn't fully charged. 2. Battery dead - won't hold a charge.	1. After first use, charge until green indicator light turns on. Charge until indicator light turns green between uses for optimum runtime. 2. Battery will slowly lose charge over long periods of nonuse. Remove device from charger and plug back into charger. Charge until indicator light turns green. 3. Call 1-800-395-5594.
Swiffer® SweeperVac™ won't pick up	1. Dirt Container is full. 2. Filter is dirty. 3. Battery charge is getting weak. 4. Hose is clogged.	1. Empty Dirt Container. 2. Remove filter and clean. 3. Replace filter. 4. Charge battery. 5. Check nozzle/hose for clogs.
Dust escaping from Swiffer® SweeperVac™	1. Dirt Container is full. 2. Filter is dirty.	1. Empty Dirt Container. 2. Clean or replace filter. 3. Always use a filter. 4. Inspect filter, make sure there are no gaps between filter and dirt bin.
Swiffer® SweeperVac™ won't charge	1. Device not turned off. 2. Incorrect charger. 3. Problem with outlet. 4. Batteries have reached maximum life.	1. Press on/off switch to ensure device is turned off. 2. Use only the charger which came with the device (1-FS4000-000). Use of the incorrect charger could render the device inoperable, call 1-800-395-5594. 3. Plug charger/device into another outlet in a different room. 4. NiCd batteries, like other batteries, degrade over time. See disassembly instructions for battery disposal.

**DISASSEMBLY INSTRUCTIONS FOR DISPOSAL OF SWEEPER VAC**

- REMOVE THE 7 SCREWS USING A SCREWDRIVER.
  - USE SCISSORS OR KNIFE TO CUT ANY LABELS.
  - DO NOT TOUCH ANY METAL OBJECTS TO THE BATTERY PACK.
  - OPEN UNIT, CLIP WIRES (INDIVIDUALLY TO PREVENT SHORT CIRCUIT).
  - REMOVE BATTERY PACK.
  - RECYCLE OR DISPOSE OF PROPERLY, ACCORDING TO LOCAL GUIDELINES.
- NICKEL-CADMIUM BATTERY**
- Caution  
 • Only use the charger supplied with Swiffer Vac.  
 • Do not dispose of unit or battery in fire.  
 • Only use with filter properly installed.  
 Made in China.

**FOR CUSTOMER SERVICE, CALL 1-800-395-5594**

**ONE-YEAR LIMITED WARRANTY**

Important: Please save your receipt! Evidence of original purchase may be required for warranty coverage. If you have any questions regarding use of this product, call us at 1-800-395-5594.

We are committed to keeping you satisfied. Swiffer warrants, for one full year, to the original retail owner, that this Swiffer appliance will be free of defects that are due to faulty material or workmanship. If the appliance should be defective within the warranty period, we will, at our option, replace the defective part or product free of charge.

The Swiffer one-year limited warranty does not cover Swiffer dry cloths or batteries. The Swiffer one-year limited warranty to the original user shall terminate and be of no further effect one year after the date of original retail sale. The warranty is invalid if the appliance is not used as outlined in the user's guide, including, but not limited to:

- damaged, or not maintained as reasonable or necessary
- modified, altered or used as part of any configurations not endorsed by Swiffer
- used in conjunction with any refills or parts not manufactured or endorsed by Swiffer
- abused, misused or used of other than the intended purpose or used commercially
- used to cause incidental or consequential damage to personal property resulting from misuse or possible defects with this appliance

If, after following the instructions in the user's guide, you are certain that the appliance is defective, call us immediately at 1-800-395-5594 for further instructions. Please be sure to have available a complete description of the problem, proof of purchase and your name, address and telephone number.

This warranty gives you specific rights and you may have other rights which vary from state to state or country to country.

NOTE: Register your Swiffer Sweeper Vac at [www.swiffer.com](http://www.swiffer.com).

This device complies with part 15 of the FCC rules. Operation is subject to the following two conditions:  
 (1) This device may not cause harmful interference, and (2) this device must accept any interference received, including interference that may cause undesired operation.  
 Contents covered under one or more of U.S. Patents Nos. 6,305,046; 6,484,346; 6,561,354; 6,651,290; and D484,287.  
 Other patents pending. © 2010 P&G

**FINAL ART 2**

7435 Empire Drive  
 Florence, KY 41042  
 859-525-1190

**JOB INFORMATION**

POA 008 008-SWIFFER-SWEEPER VAC-HSC WIPES-Instructional Manual- US-Instructional Manual (Out of the Box SK) Project #: P-060361 Last Revision Date: 12/10/09

**SSS FILE INFORMATION**

Production Art #: 685321 File Name: Art Size: A1 Account Mgr: Katina Walters

**SSS APPROVALS (INTERNAL USE)**

Production Artist: SG Date: 12/10/09 QA: Date: PR: Date: Assembler: XXXX Date: XXXXX

**NUMBER OF COLORS**

PG 0103

**QUALITY ASSURANCE CHECK**

IMPORTANT NOTICE: SGS HAS MADE EVERY EFFORT TO ENSURE THAT THIS ARTWORK HAS BEEN COMPLETED ACCURATELY. WE STRONGLY ADVISE THAT THE CLIENT PROOF THIS MATERIAL CAREFULLY BEFORE SIGNING FOR ITS RELEASE. THEREAFTER SGS CANNOT ACCEPT RESPONSIBILITY FOR ANY ERRORS/OMISSIONS OVERLOOKED BY THE CLIENT OR CLIENT'S AGENT.

**THE PROCTER & GAMBLE CO.**

**Restricted**

DRAWING NUMBER: 99268021.002 SUPERSEDES: 99268021.001  
 Authorized for Issue by: Beth Manis - ITC - 513-627-5963

7435 Empire Drive  
 Florence, Kentucky 41042  
 Phone: (859) 525-1190  
 Fax: (859) 647-8205

**SGS**

7435 Empire Drive  
 Florence, Kentucky 41042  
 Phone: (859) 525-1190  
 Fax: (859) 647-8205

Description: SWIFFER SWEEPER + VAC OWNER'S MANUAL - INSIDE & OUTSIDE PRINT.  
 Die / GCAS No.: 99268021.002 SGS No.: 99268021.002  
 Supersedes: 99268021.001 Supplied by: Southern Graphic Systems  
 Date: 05/14/2009 Supplied for: The Procter & Gamble Company  
 Application: Illustrator CS3 Prepared By: CAC

**NOTES**

Kwonnie Electrical Products: 10395PG rev A  
 Part#: AR-10395PG  
 Model #: R9-1039  
 Material: 60gsm white print paper  
 Date: 4/27/09  
 Size: 16.5" (419.1mm) x 16.106" (409.09mm)

**ISSUE**

99268021.001 - Kwonnie file was incorporated in the CSS System. 4/27/09.  
 002 - Initial Construction for SGS. 5/14/09.

**LEGEND**

----- 1/8" Copy Limits  
 - - - - - Cut Lines  
 \_\_\_\_\_ 1/8" Bleed Lines  
 - - - - - Fold/Crease Lines

Print Side Up.  
 Measurements are in Inches/Millimeters