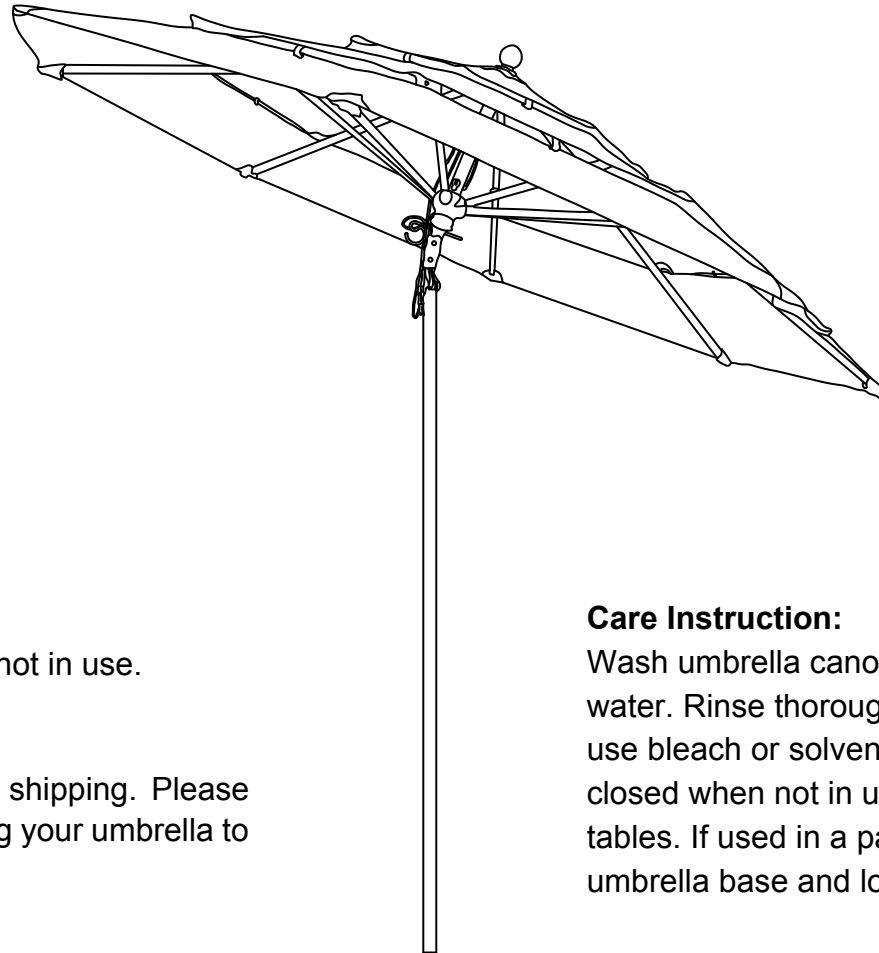


**3.36 M / 11 FT / 11 PI MARKET UMBRELLA WITH TILT**  
**ASSEMBLY INSTRUCTIONS**  
**IMPORTANT, RETAIN FOR FUTURE REFERENCE: READ CAREFULLY**  
**ITM. /ART. 966762**

For customer service in the US and Canada, call: 1-877-730-1583 Customer service hours are 9:00am - 5:00pm Monday – Friday (EST) English and French Spoken



**CAUTION:**

The umbrella should be lowered and secured in windy conditions or when not in use.

**Important Information:**

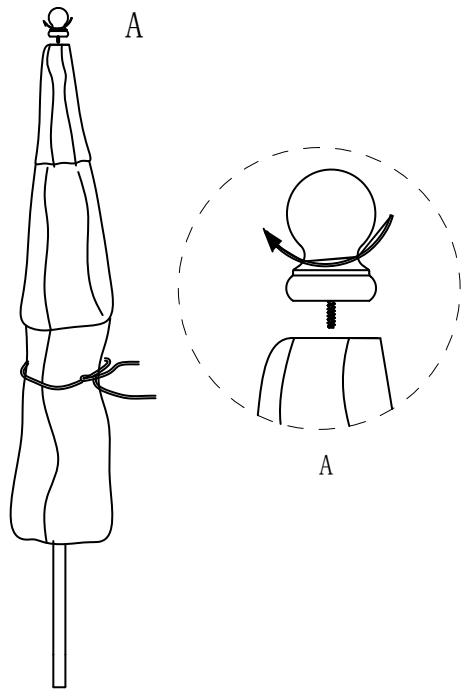
Umbrella ribs may compress during shipping. Please read these instructions before opening your umbrella to avoid causing permanent damage.

**Care Instruction:**

Wash umbrella canopy with a mild solution of soap and water. Rinse thoroughly. Drip-dry in open position. Do not use bleach or solvents on fabric or aluminum frame. Keep closed when not in use. Not recommended for use in patio tables. If used in a patio table, always use with an umbrella base and lower in windy conditions.

## TO ASSEMBLE THE UMBRELLA

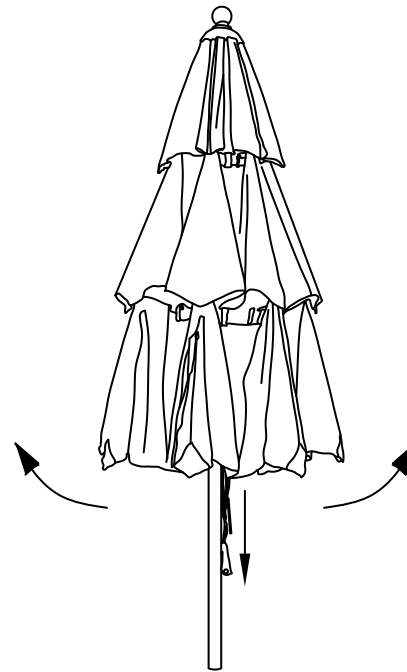
You must have your umbrella securely fastened into a prepared umbrella base after attaching the finial to the top of the umbrella. Before opening your umbrella, gently pull apart and separate the ribs into their natural open position (see Fig 2).



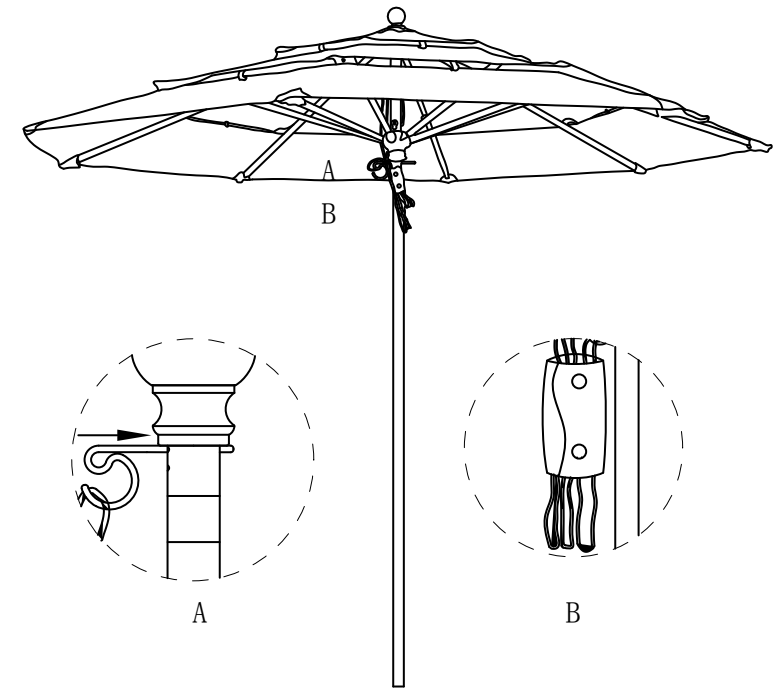
( Fig. 2 )

## TO OPEN THE UMBRELLA

Pull down the rope until you see the lower hole or upper hole on the tilt, then insert the pin into the hole. At that time, the umbrella is fully open and ready to use.



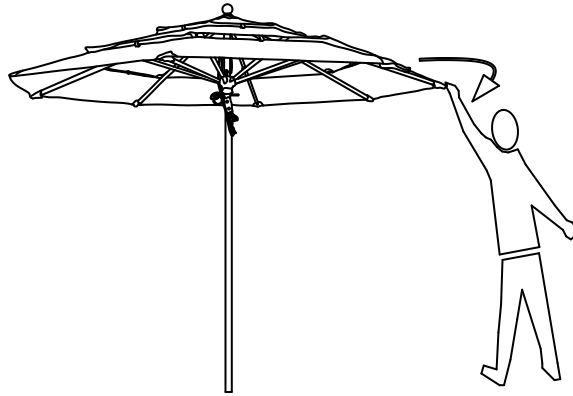
( Fig. 3 )



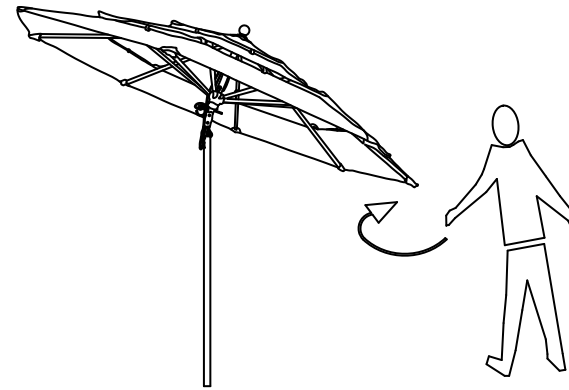
( Fig. 4 )

## TO TILT THE UMBRELLA

Fix the umbrella pole firmly into an umbrella stand and rotate the canopy clockwise or counterclockwise to your desired position. Continue rotating the canopy to move umbrella into its upright position.



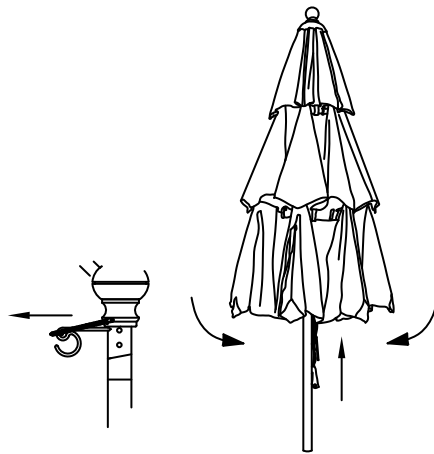
( Fig. 5)



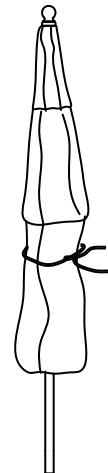
( Fig. 6)

## TO CLOSE THE UMBRELLA

Hold the rope firmly and remove the pin, then release the rope slowly until the umbrella is fully closed. Use tie straps to secure umbrella canopy.



( Fig. 7)



( Fig. 8)

**3.36 M / 11 FT / 11 PI MARKET UMBRELLA WITH TILT  
LETTER OF WARRANTY  
ITM. /ART. 966762**

Please be advised that the manufacturer provides a one-year warranty that the 3.36 m / 11 ft / 11 pi Market Umbrella with Tilt will be free from defects in original materials and workmanship.

**Frame**

Frames are warranted to be free from defects in materials and workmanship for a period of one year. Damage to frames due to improper assembly or exposure to water and sub-freezing temperatures is not covered.

**Finish**

The finish is warranted against peeling, cracking, or blistering for a period of one year provided the unit has not been scratched or abraded. Scratches and chips resulting from abnormal wear and tear are not covered. Fading resulting from exposure to elements is not covered.

**Fabric**

Fabric is warranted for a period of one year against separation at the seams. Fading or discoloration resulting from exposure to the elements, chemicals, or from spills is not covered.

**Note:** All operation should be according to the instruction manual.

\* This warranty DOES NOT COVER the following items:

Failure caused by unreasonable or abusive use; failure caused by neglect of reasonable and necessary care; acts of nature (including but not limited to wind, hurricanes, tornadoes, and storms) are not covered by this warranty. **The product is not covered by this warranty after one year from the date of purchase.**

**If you have any questions, please call our Customer Service in the US and Canada at 1-877-730-1583, 9:00am - 5:00pm, Monday - Friday (EST) English and French spoken.**

Our goods come with guarantees that cannot be excluded under the Australian Consumer Law. You are entitled to a replacement or refund for a major failure and for compensation for any other reasonably foreseeable loss or damage. You are also entitled to have the goods repaired or replaced if the goods fail to be of acceptable quality and the failure does not amount to a major failure.