

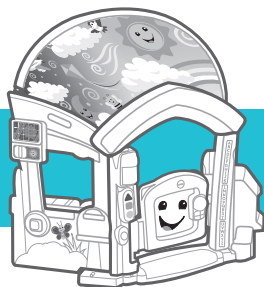
Fisher-Price®

Scan it. Watch it. Build it.

fisher-price.com/assembly/FJP89



EASY
ASSEMBLY
VIDEO



Laugh & Learn®

Smart Learning Home™

ASSEMBLY GUIDE

BEFORE YOU BEGIN



Keep these instructions for future reference as they contain important information.



Adult assembly is required. You'll need a Phillips screwdriver (not included) for assembly and battery installation.



45

Set aside 45 minutes for assembly.



x4

Four C (LR14) **alkaline** batteries are required (not included).

For longer life, use **alkaline** batteries.



Clean with a damp cloth. Do not immerse.



ASSEMBLY
VIDEO

Questions?
Scan this code!

fisher-price.com/assembly/FJP89

GOOD TO KNOW!

This product includes a lot of factory assembled screws and some that you'll need to assemble—23 to be exact!



Insert screws into holes that have rings around them.



Factory assembled screw holes do not have rings around them.

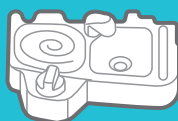
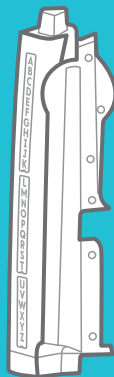
Do not over-tighten assembled screws or the screws in the battery door.

When sound or lights become faint or stop, it's time for an adult to change the batteries.

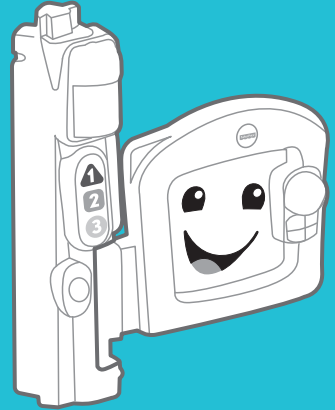
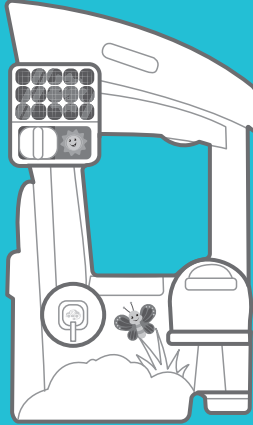
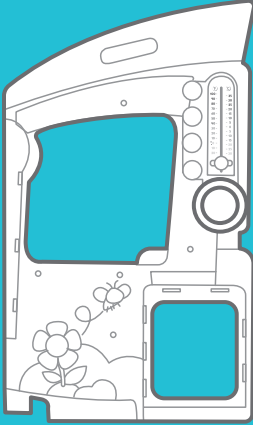
The Laugh & Learn® Smart Learning Home™ interacts with the Laugh & Learn® 3-in-1 Smart Car (not included and sold separately). Be sure the car is no further than 4 feet (1,2 meters) from the home.

Bright sunlight or fluorescent light may affect the range between the car and the home. Try dimming room lights.

ASSEMBLED PARTS



ASSEMBLED PARTS



Left & Right

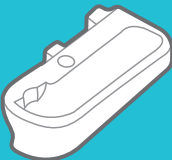


Left & Right



M3,5 x 19 mm

We included an extra screw just in case you lose one!

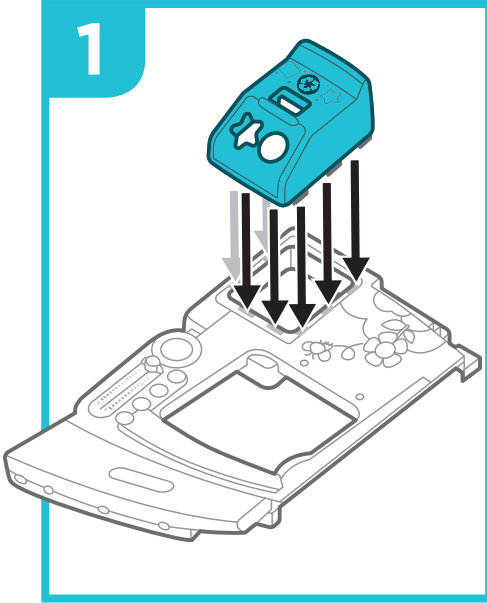


⚠ CAUTION

This package contains small parts. For adult assembly only.

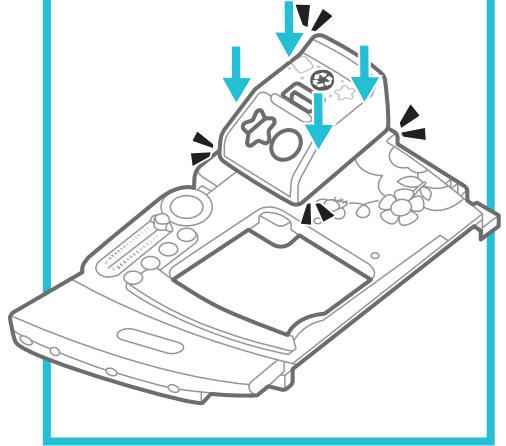
ASSEMBLY

1

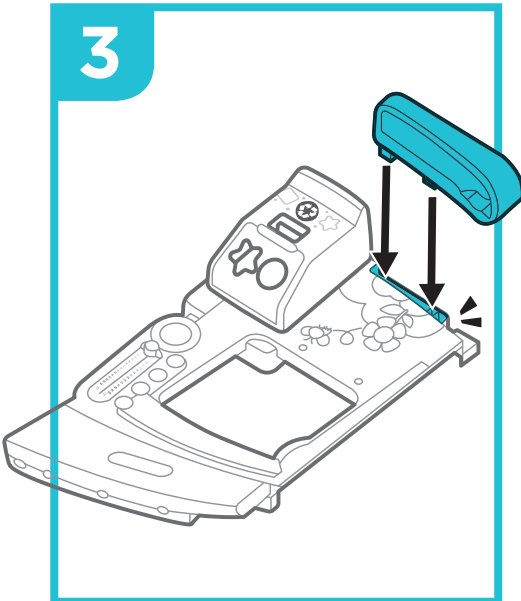


2

Push to **“snap”** the recycle bin to the house panel. This may take a lot of force.

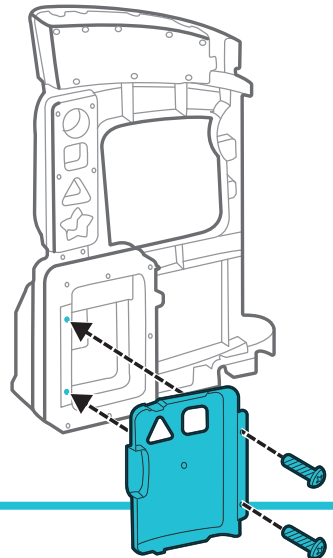


3



4

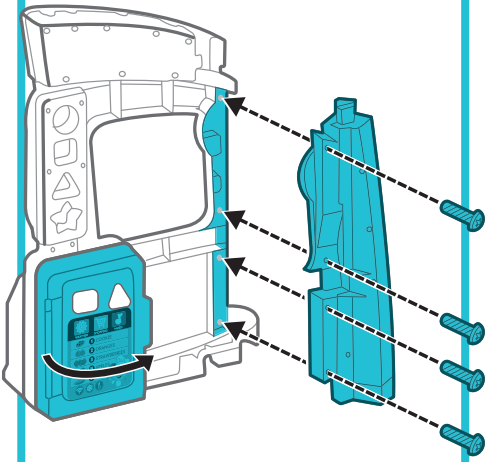
 x 2



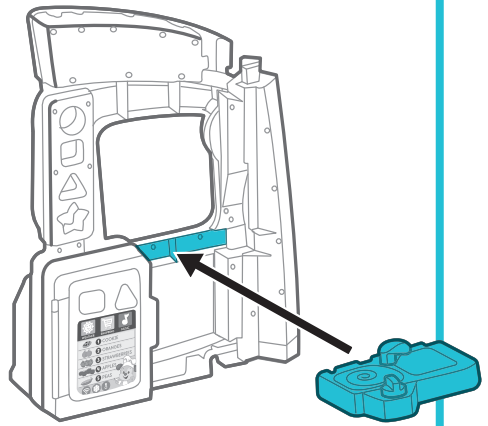
ASSEMBLY

5

 x 4



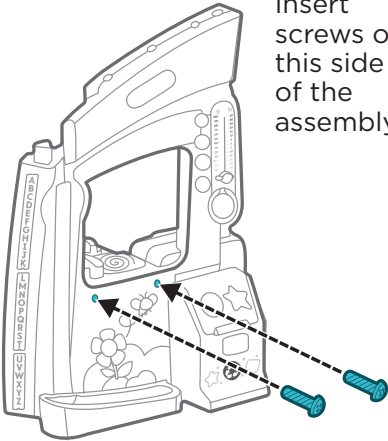
6



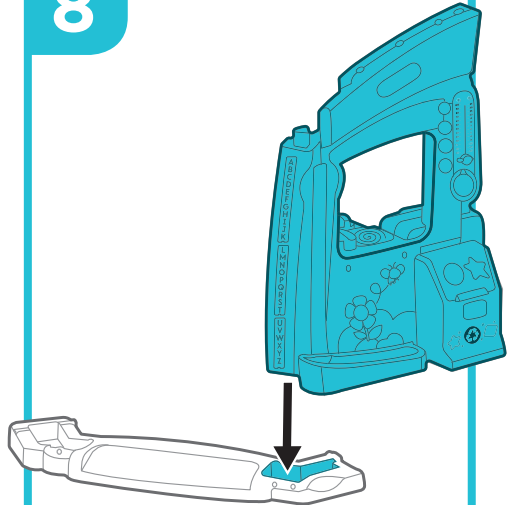
7

 x 2

Insert screws on this side of the assembly.



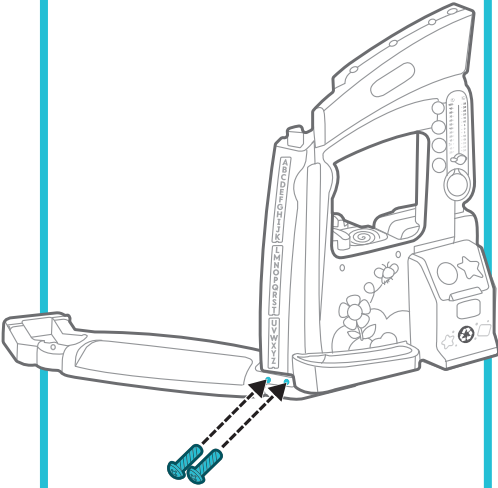
8



ASSEMBLY

9

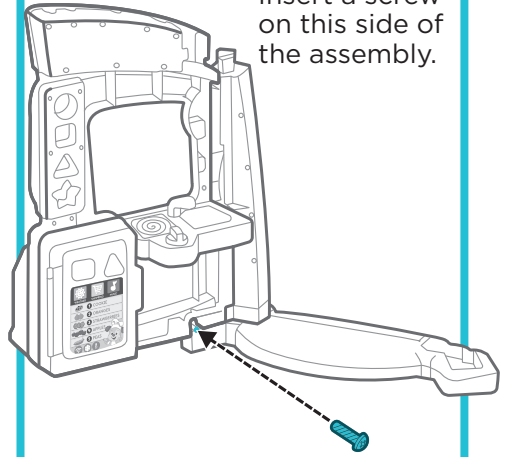
 x 2



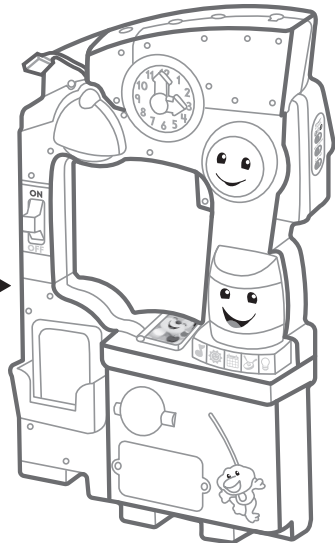
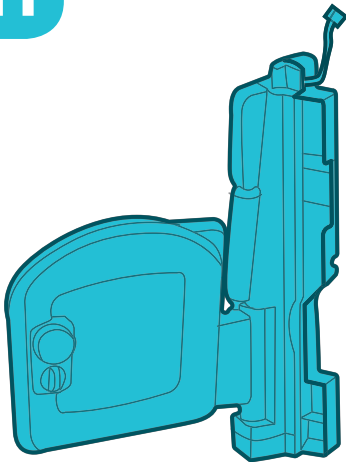
10

 x 1

Insert a screw on this side of the assembly.



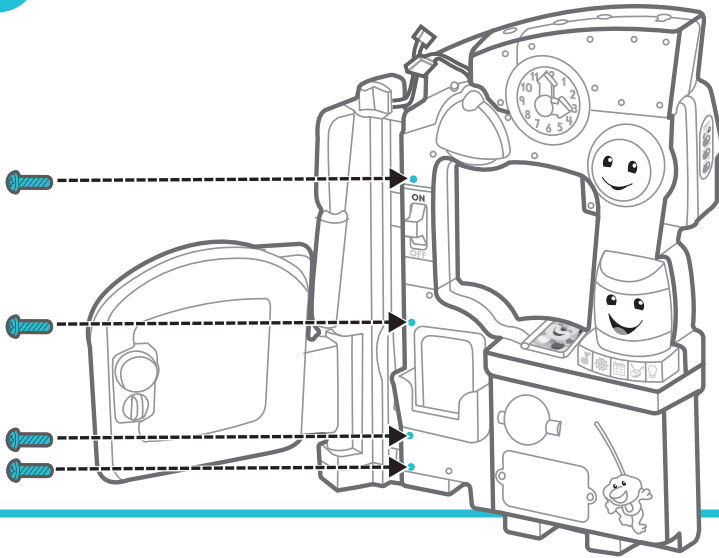
11



ASSEMBLY

12

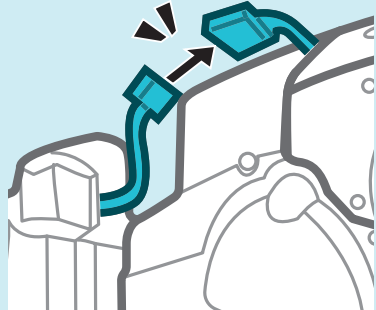
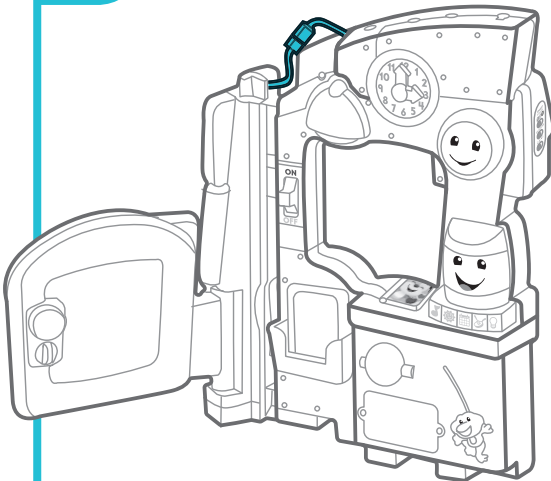
 x 4



13

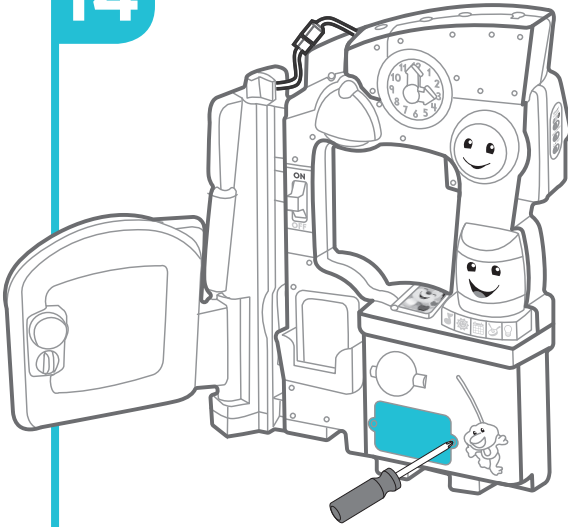
Be sure to make this connection!

Make sure wires are not twisted.



ASSEMBLY

14



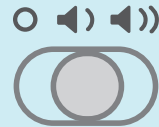
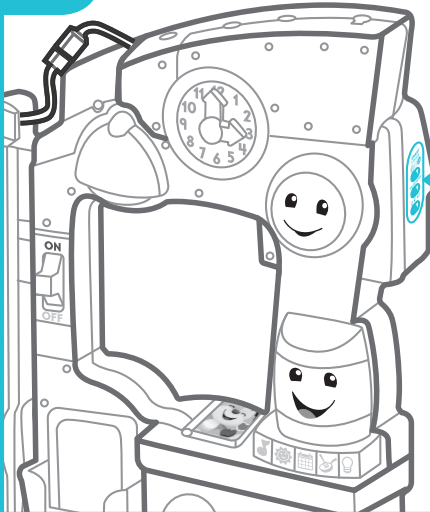
Locate the battery door next to the froggy slider.


Loosen the screws in the battery door and remove the door.

Insert four, new C (LR14) **alkaline** batteries. Make sure you insert the batteries correctly!

Replace the battery door and tighten the screws.

15

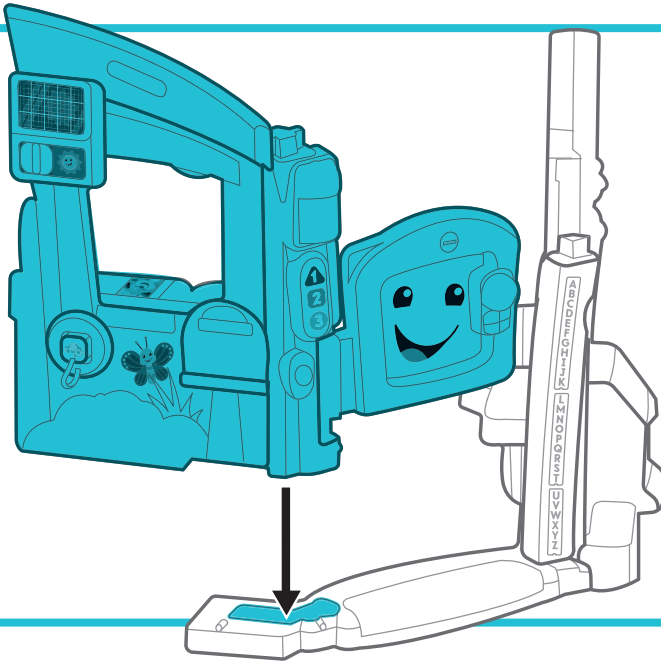


Slide the power-volume switch ON  and open and close the door.

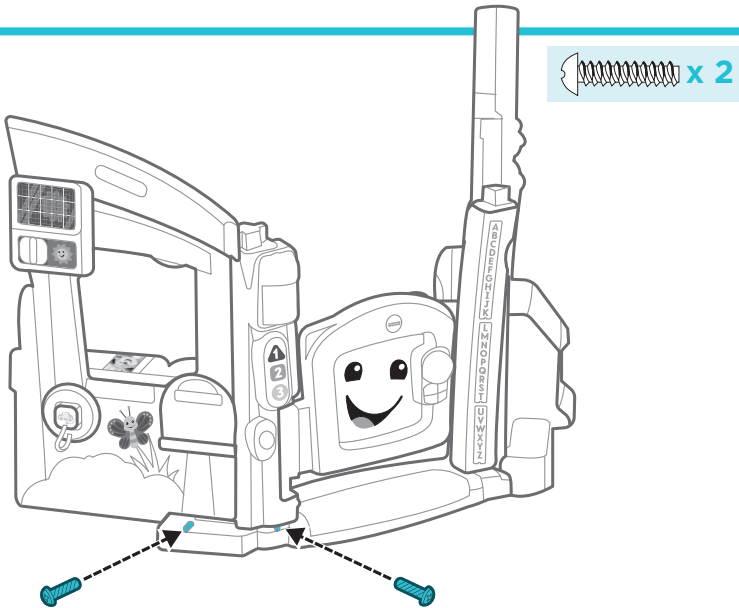
You should hear sound and see lights. If you do not, you may not have connected the wires in step 13. Go back and be sure you've connected the wires in step 13.

ASSEMBLY

16



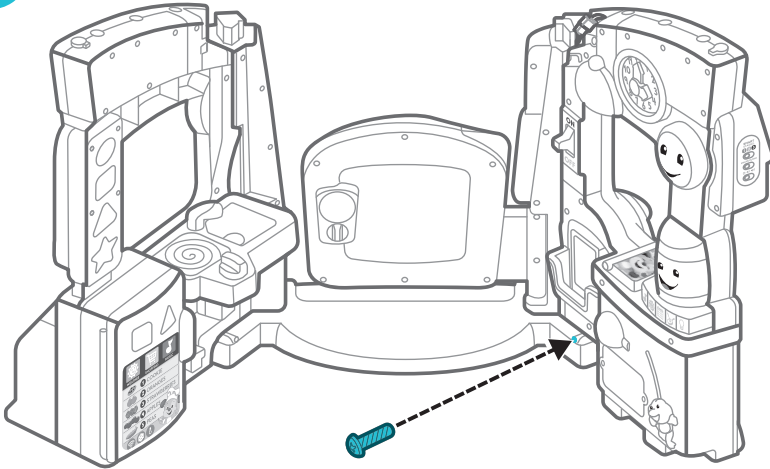
17



ASSEMBLY

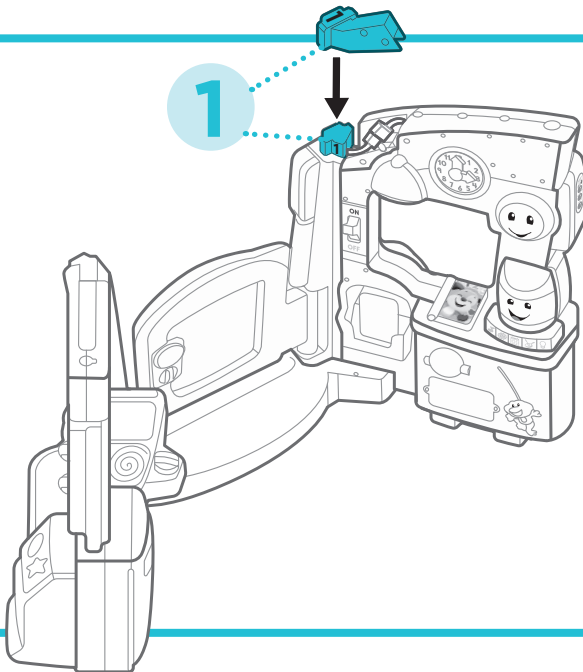
18

Insert a screw on the inside of the assembly.



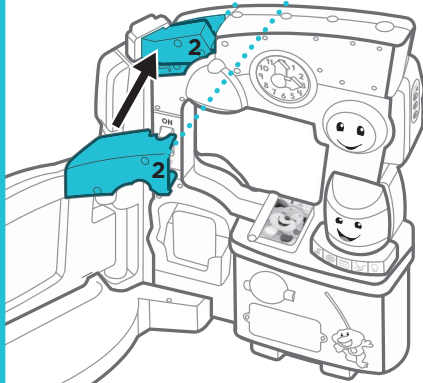
19

1



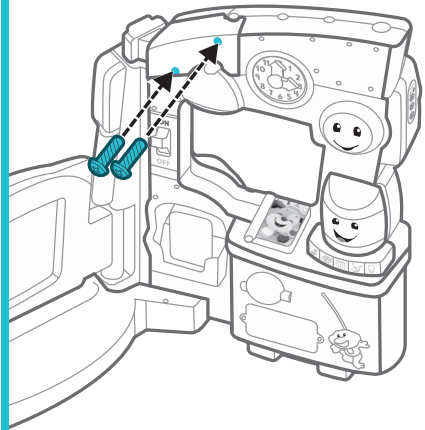
ASSEMBLY

20

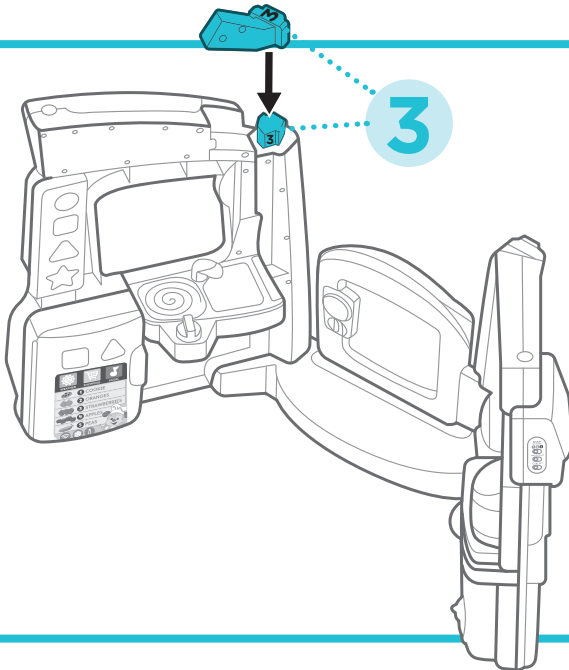


21

 x 2

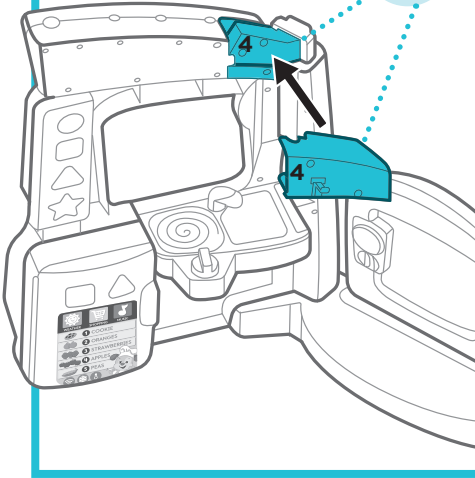


22



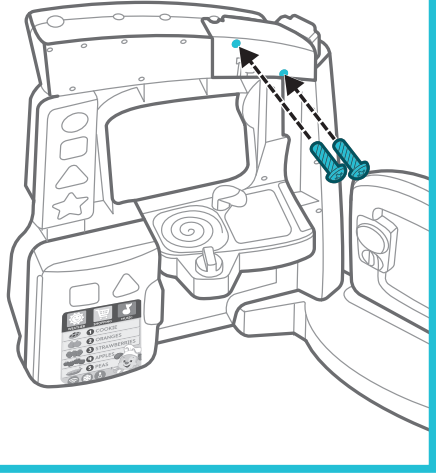
ASSEMBLY

23

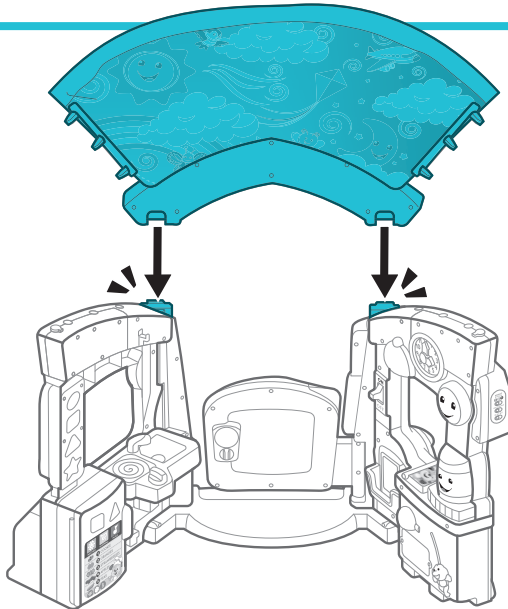


24

 x 2

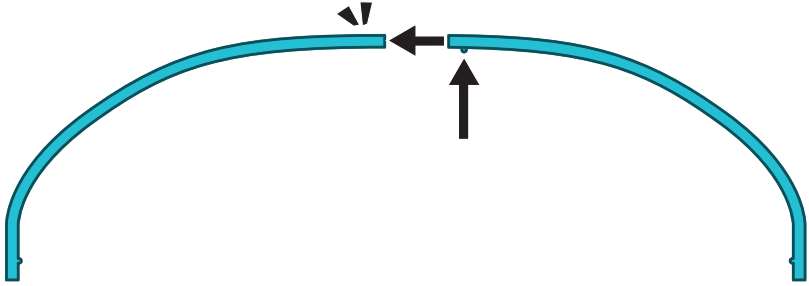


25

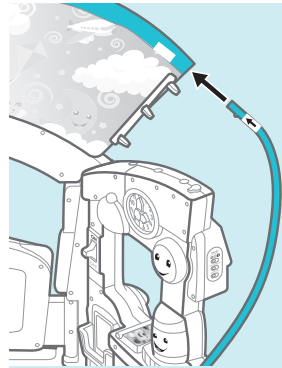
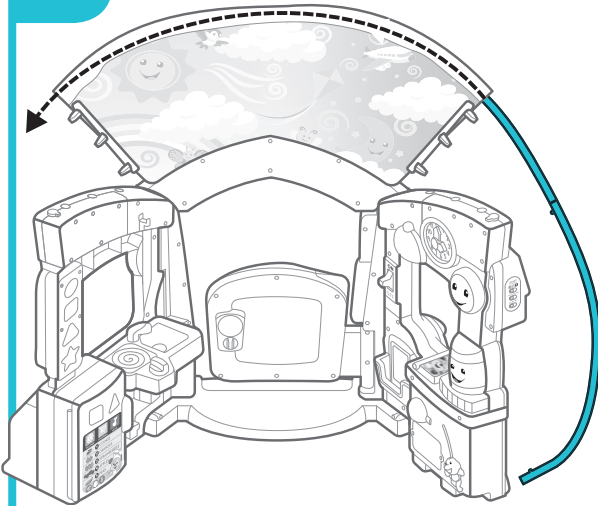


ASSEMBLY

26



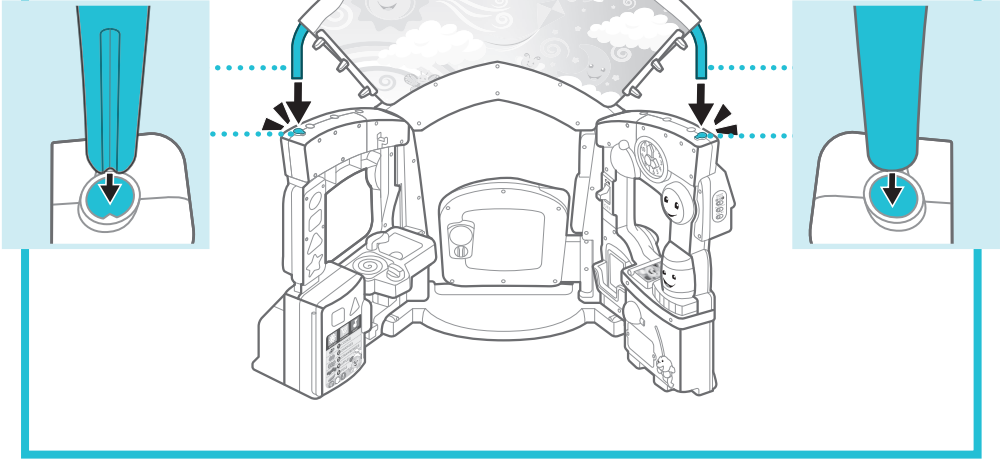
27



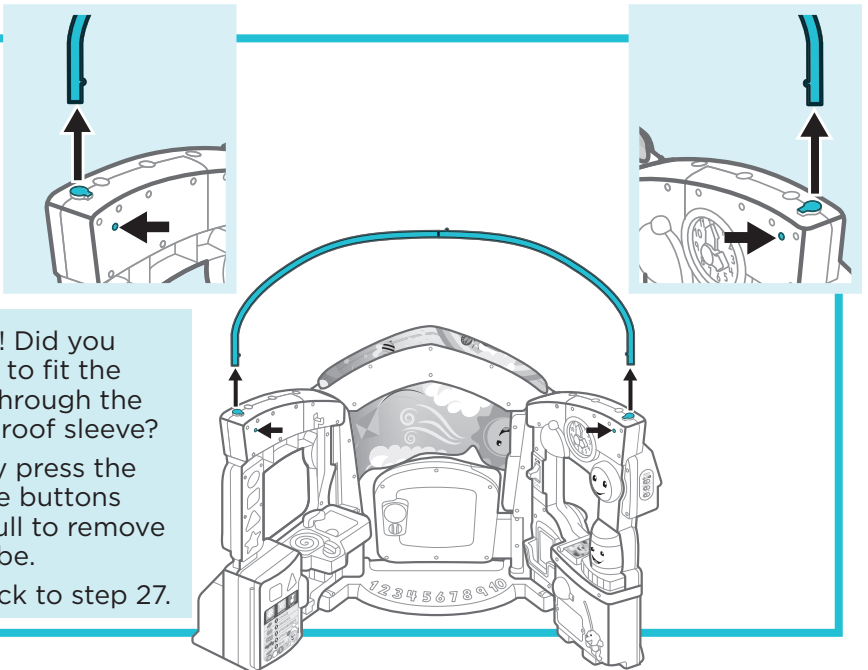
Start with the end of the tube marked with a yellow label. Insert it into the roof sleeve marked with a yellow tag.

ASSEMBLY

28



29



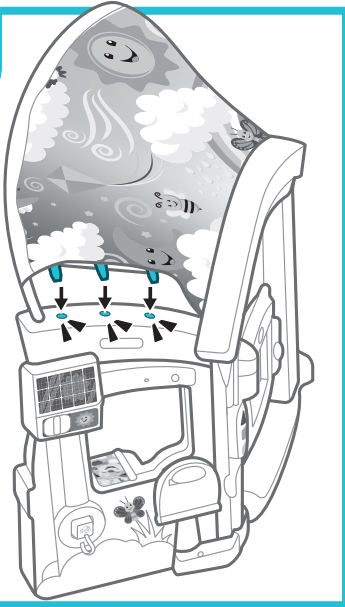
Oh no! Did you forget to fit the tube through the fabric roof sleeve?

Simply press the release buttons and pull to remove the tube.

Go back to step 27.

ASSEMBLY

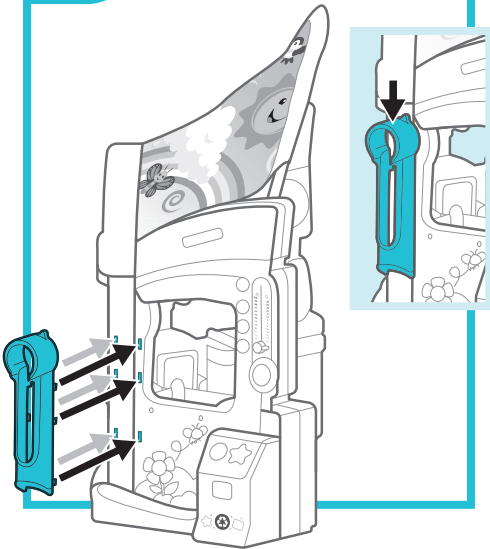
30



31

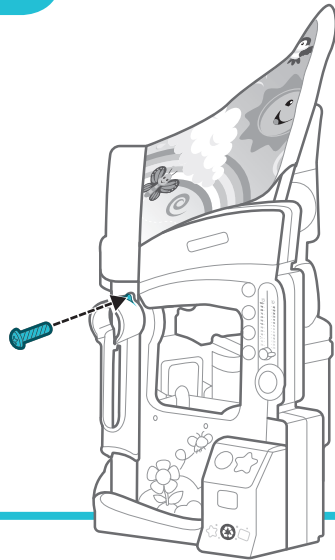


32

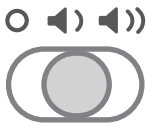





33

 x 1



POWER-VOLUME SWITCH



Slide to turn power ON with low volume , ON with high volume  or OFF  when finished playing.

You may need to reset the electronics if this toy begins to operate erratically. Slide the power-volume switch off and back on.

ENG/SP/FR/MAN



Choose a language: **ENG** English, **SP** Spanish, **FR** French or **MAN** Mandarin.

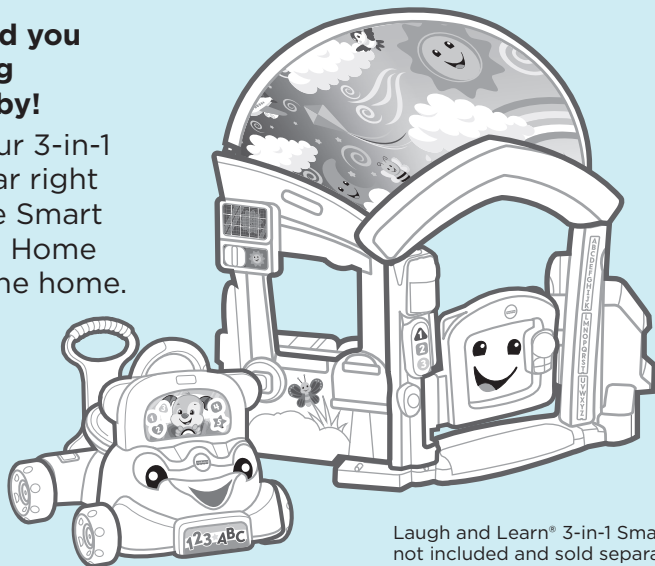
SMART STAGES™ MODE SWITCH



- 1 Explore** - Baby enjoys fun sounds, music, songs, first words and phrases that introduce opposites, colors, shapes, the alphabet and counting!
- 2 Encourage** - In this mode, hear sounds, phrases and songs that contain colors, numbers, greetings and the days of the week! Listen for a fun prompt followed by an encouraging reward!
- 3 Pretend** - Listen to engaging songs and phrases that inspire imaginative play!

We saved you a parking spot, baby!

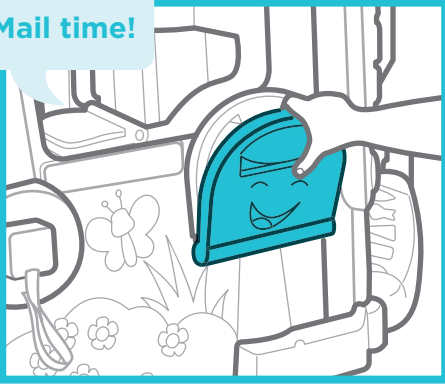
Drive your 3-in-1
Smart Car right
up to the Smart
Learning Home
and phone home.



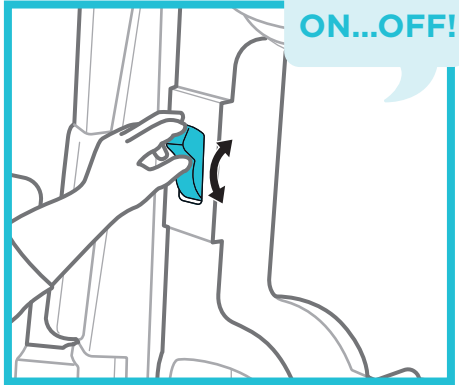
Laugh and Learn® 3-in-1 Smart Car
not included and sold separately.

WELCOME HOME!

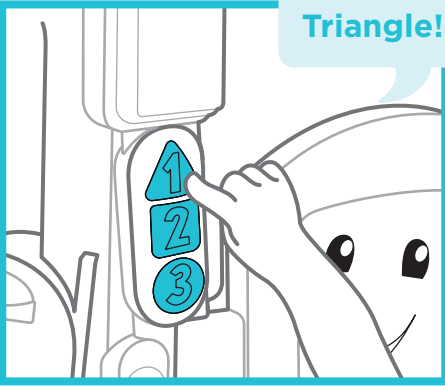
Mail time!



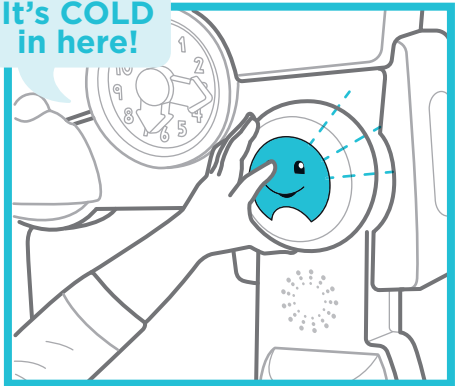
ON...OFF!



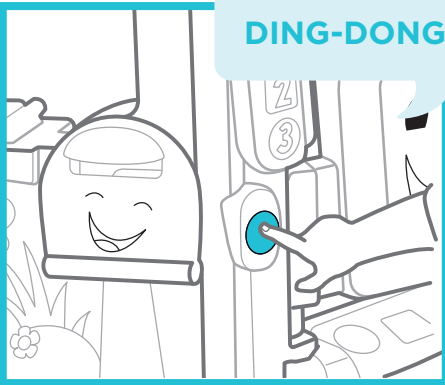
Triangle!



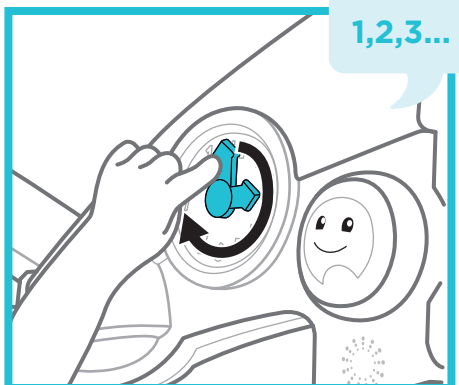
It's COLD in here!



DING-DONG!

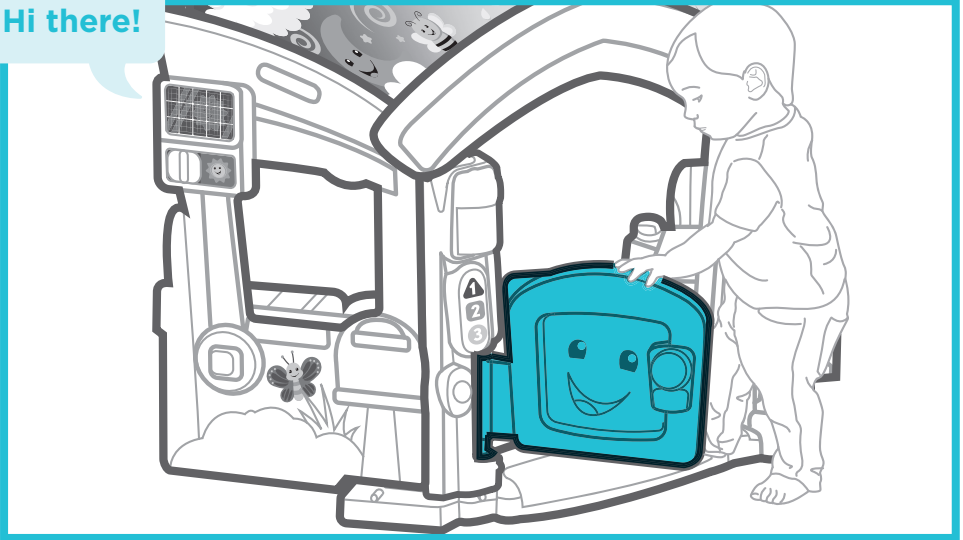


1,2,3...



WELCOME HOME!

Hi there!



🎵 Press again and again to cycle through different types of music.

⚙️ Listen to weather related music, sounds and phrases.

📅 Count to 7 in mode 1 or switch to mode 2 and hear the days of the week!

🎸 Check baby's "to-do" list and sing along to the ABC's in mode 1. Then switch to mode 2 for colors and counting!

💡 Enjoy a colorful light show and songs that identify colors.

You did it!

[Raise the roof...
oh wait you just did!]

P.S. sorry about all the screws...
we promise your little one will
appreciate the hard work!

Fisher-Price®

FJP89-0970
1101853770-DOM

©2018 Mattel.
PRINTED IN MEXICO