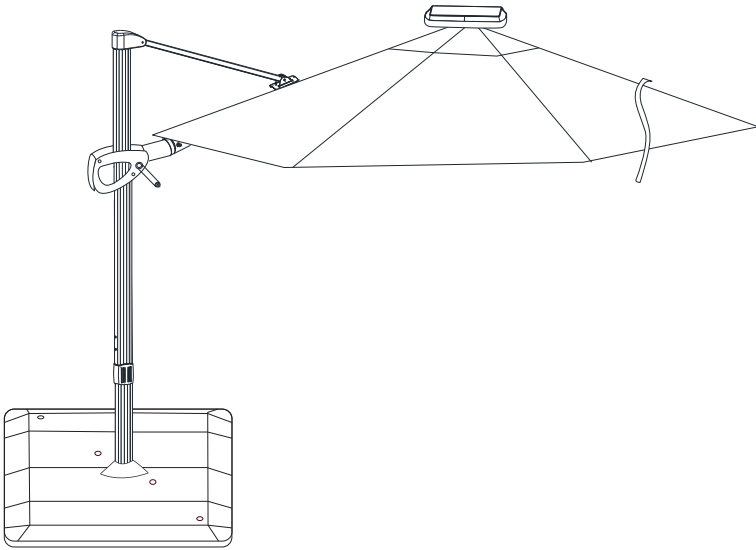




11ft LED Solar Offset Umbrella

Assembly, Care & Use Manual

ITEM # UMB-945404T
UMB-945404B



IMPORTANT, RETAIN FOR FUTURE REFERENCE: READ CAREFULLY

For assistance with assembly or installation, parts or problem resolution, please do not return to place of purchase, call customer service at:

ATLeisure LLC
1-855-880-7205 (English Only)
8:00am-5:00pm, Monday to Friday, Eastern Standard Time
www.atleisure.com • Email: customerservice@atleisure.com

Contents

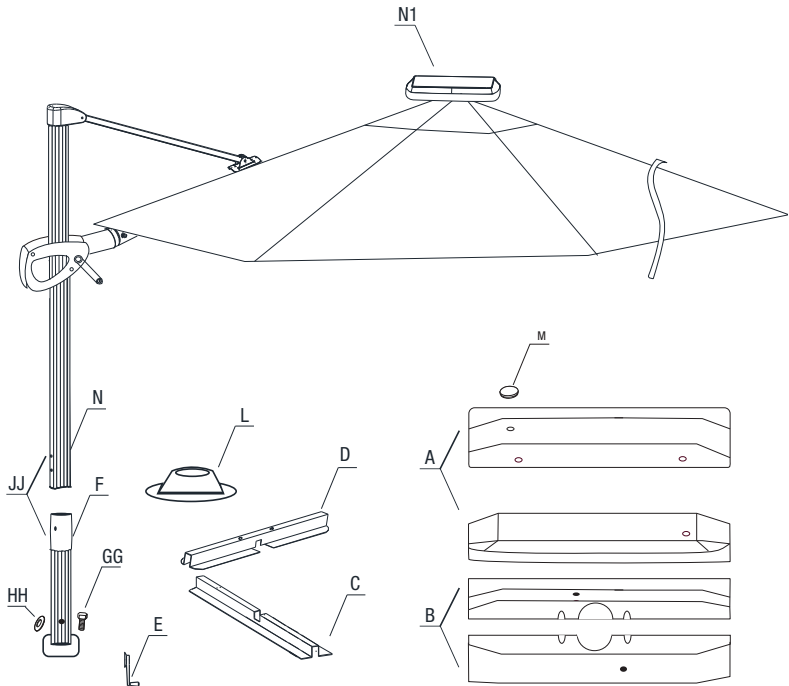
Preparation	2
Hardware and Package Contents	3
Assembly Instructions	4-7
Operation Instructions	8-11
Battery Replacement	11-12
Care and Maintenance	13
Warning and Cautions	13
Warranty	14
Replacement Parts	15

Preparation





Before beginning product assembly, make sure all contents are present. Compare parts with package contents list and diagram above. If any part is missing or damaged, do not attempt to assemble the product or return to the place of purchase. Contact our customer service toll free at **1-855-880-7205** for replacement parts or further instructions.

Estimated Assembly Time: 40 minutes

Tools Required for Assembly (not included): Open-end wrench or adjustable wrench and Phillips-head screwdriver



Hardware Contents

Part	Picture	Description	Quantity
GG		Hex Bolt M10-1.5x20 A2-70	4
HH		Flat Washer M10 A2-70	4
JJ		Hex Bolt M8 A2-70	2
KK		Hexagon Wrench M8	1

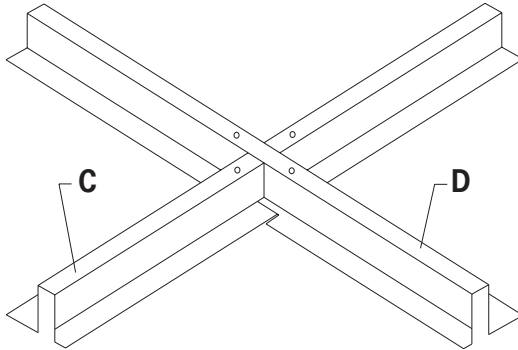
Package Contents

Part	Description	Quantity
A	Blow Molded Base Outside	2
B	Blow Molded Base Inside	2
M	Blow Molded Base Cap	4
C	Lower Cross Leg	1
D	Upper Cross Leg	1
E	Crank Handle	1
F	Holder Pole	1
L	Pole Support Cup	1
CAN	Canopy (on the umbrella frame)	1
N	Umbrella Frame (with canopy)	1
N1	Solar Panel	1

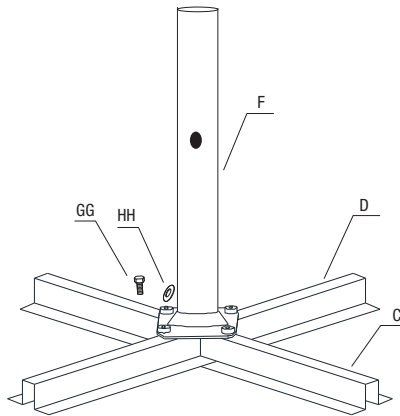
Assembly Instructions



CAUTION: Do not use sharp tools or equipment such as a knife or scissors when removing the protective material, as it may damage the product. Be careful not to throw away small parts such as bolts, washers, ect. that may be wrapped in the protective materials.



Step 1: Place lower cross leg (C) on the ground, line up notches and place upper cross leg (D) over the lower cross leg (C).

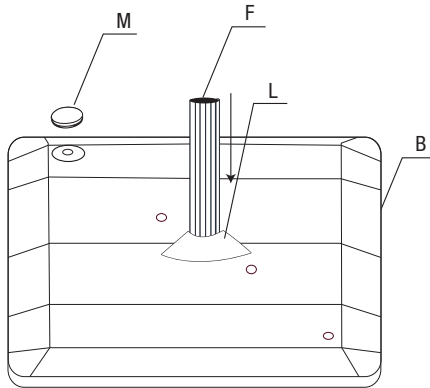


Step 2: Attach the holder pole (F) to the base by using the bolts (GG) and washers (HH) (found in blister pack). Hand tighten only. Adjust the holder pole (F) to be sure it is positioned correctly on the base. Finally tighten all bolts. Be careful not to over tighten.

Assembly Instructions



WARNING: Do not use this umbrella during periods of high winds and rain. Failure to do so may result in personal injury and/or damage.



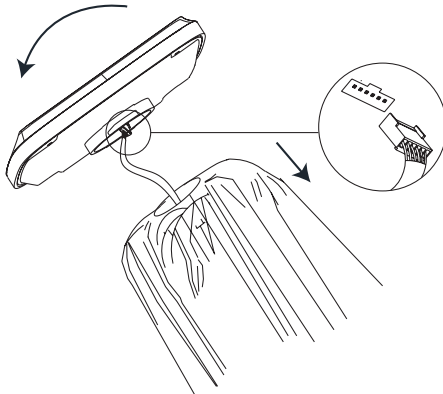
Step 3: Fill each base (A & B) with sand, cover with cap (M). Place pole support cup (L) onto holder pole (F) and lay on top of blow molded base (B).

Solar Light Assembly Instructions

Before beginning assembly of product, make sure all parts are present. Compare parts with package contents list. If any part is missing or damaged, contact our customer service toll free at **1-855-880-7205** for replacement parts or further instructions.

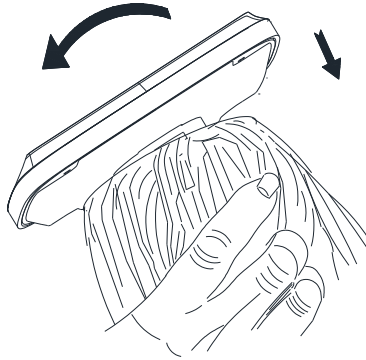
Estimated Assembly Time: 10 minutes

Tools Required for Assembly: No Tools Required



Step 1: Insert the plug into the socket under the solar panel as shown above.

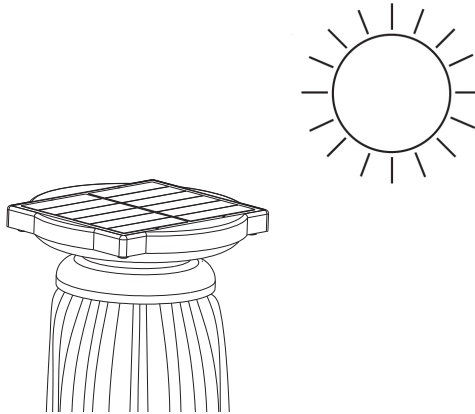
Assembly Instructions



Step 2. Put the solar panel on the top of umbrella and hide the plug and wire inside the groove at the top of umbrella. Then turn the solar panel clockwise. Do not over tighten. Please remove the plastic film on the solar panel.



INFORMATION: Please remove the plastic film on the solar panel. This protective film is to prevent damage during shipping. Failure to remove the film will result in the solar panel not functioning properly.



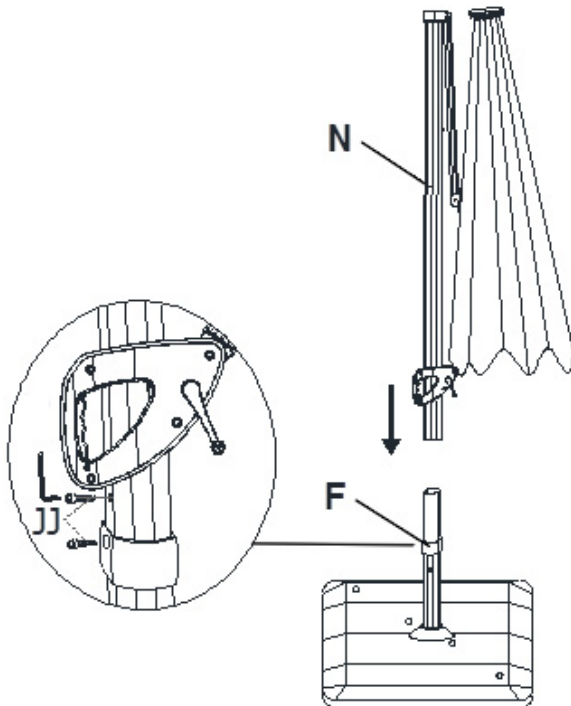
Step 3: Put the solar umbrella in the sunlight to charge the battery for 8 hours before the first use.

Make sure to charge the battery for at least 8 hours before the first use. Otherwise it will shorten lifespan of the battery and decrease performance. If charging the solar panel while attached to the umbrella, make sure the switch on the rib is in the off position.

Assembly Instructions

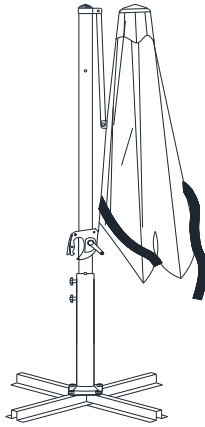


CAUTION: YOU MUST CHARGE BATTERY BEFORE FIRST USE. Please note that battery can discharge if they are left unused or uncharged for a long period of time. Since there can be a six-month period between production and final customer purchase, we recommend you charge your solar umbrella for at least 8 hours in direct sunlight before the first use. Failure to charge the battery will result in premature dimming of the lights in your new solar umbrella. Make sure the light switch is in the off position when charging the solar panel. For everyday normal use, turn the light switch on at night when you want to use the solar light and turn off the switch after use. **MAKE SURE THE LIGHT SWITCH IS IN THE OFF POSITION IN THE DAYTIME FOR THE SOLAR PANEL TO RECHARGE THE BATTERY**

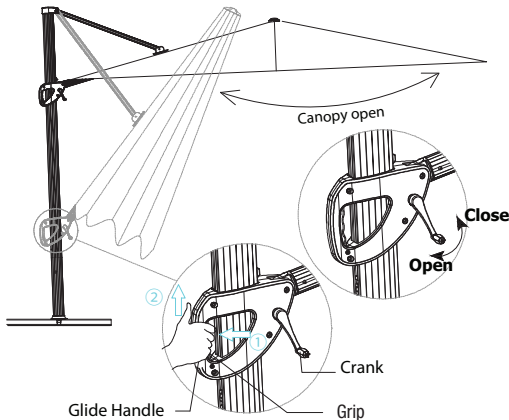


Step 4: Insert Umbrella Frame with Canopy (N) into the Holder Pole (F). Slide the holder pole collar onto the holder pole at the same time. Tighten the two Hex Bolts (JJ) into the holder pole to secure the umbrella.

Operation Instructions



Step 1: Unfasten the storage straps around the canopy.

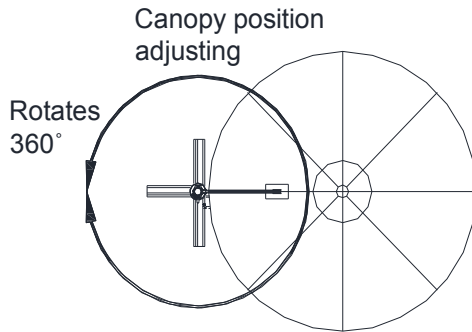


Step 2: To open the umbrella, squeeze the Glide Handle and grip together and slide up or down the pole to achieve the desired tilting angle. Release the grip to lock into place. To open the canopy, turn the crank handle clockwise until the canopy is fully open as pictured.

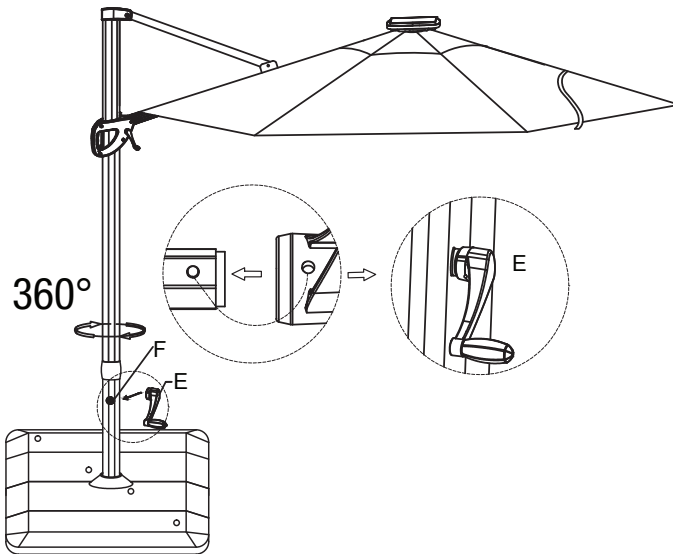


CAUTION: If the crank becomes too hard to turn while opening the canopy, check to see if the rope has come off the pulley. If you continue to turn the crank, the rope or crank handle could break.

Operation Instructions

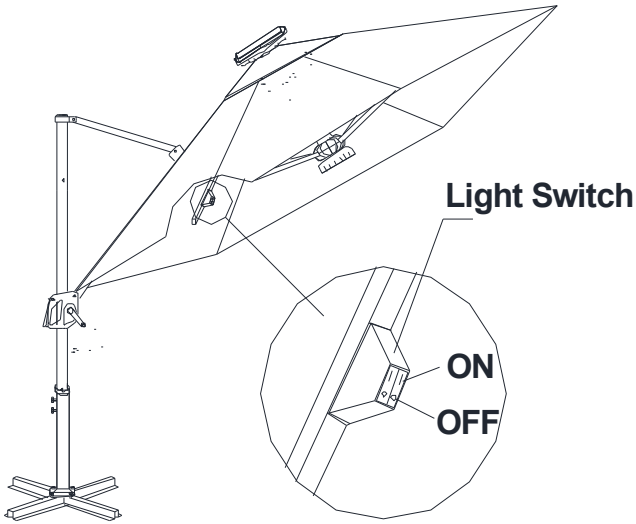


Step 3: The multiple position canopy can rotate 360° around the axis of the main pole to offer the shade on your expected area around the umbrella.

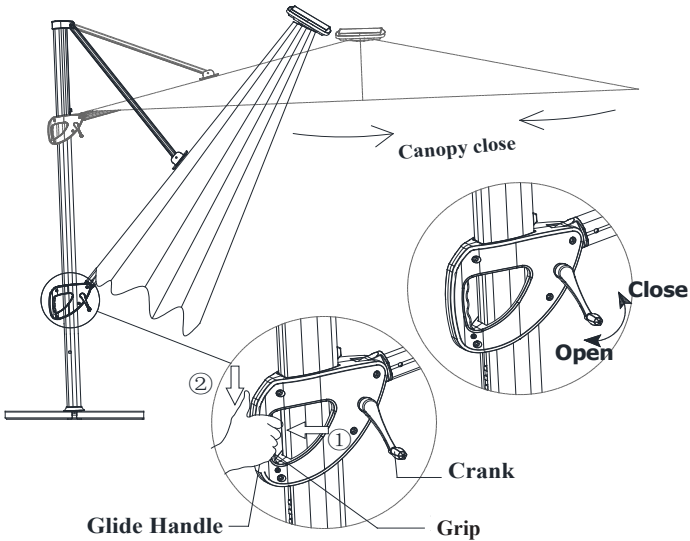


Step 4: To rotate umbrella insert the crank handle (E) into holder pole (F) and turn to desired position.

Operation Instructions

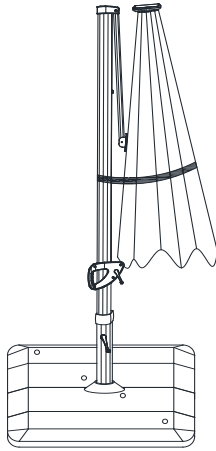


Step 5: Press the light switch to turn on/off the solar lights.



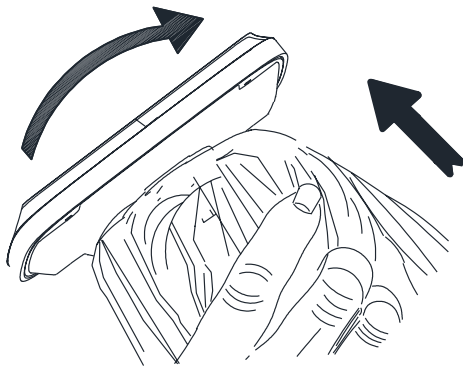
Step 6: To close the umbrella, turn the crank handle counter clockwise until the canopy is fully closed. Squeeze the Glide Handle and grip together, then slide down the pole and release the grip to lock into place.

Operation Instructions



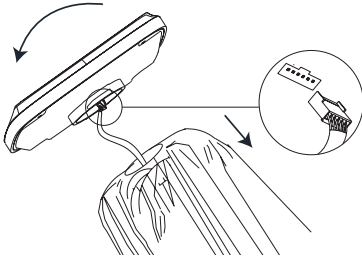
Step 7: Fasten the storage straps around the canopy.

Battery Replacement

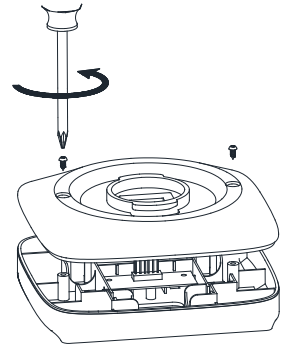


Step 1: Twist counterclockwise and remove the solar panel from the top of the umbrella.

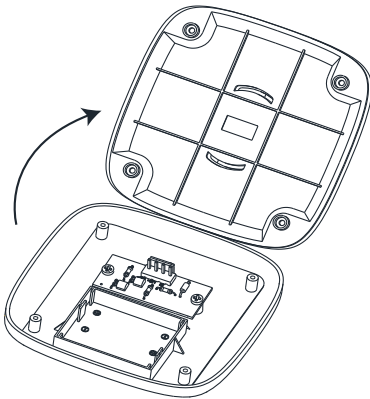
Battery Replacement



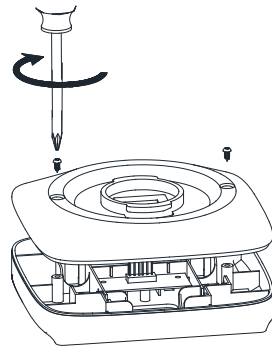
Step 2: Pull the plug out of the socket under the solar panel. Pull by holding the plug, not by pulling on the wires.



Step 3: Place the solar panel upside down on a flat, non-abrasive surface to avoid scratching. Remove all two (2) screws on the solar panel bottom case.



Step 4: Carefully open the bottom case and set aside. Replace the batteries, matching the +/- on battery case.



Step 5: Carefully put the bottom case back. Align the screw holes and replace the screws. Do not over tighten the screws.



INFORMATION: After use, be sure to turn the lights off. The light switch must be in the off position during the daytime in order for the solar panel to recharge the battery.

Care and Maintenance

See the enclosed Sunbrella® care and cleaning insert for canopy maintenance.

Warnings



DANGER: Keep children out of the assembly area during assembly.



WARNING: Read the entire instructions before beginning and follow the steps outlined. Failure to assemble and install as instructed could result in the umbrella tipping over causing personal injury and/or property damage.



WARNING: Do not use this umbrella during periods of high winds and rain. Failure to do so may result in personal injury and/or damage.



CAUTION: Assemble and use umbrella on flat ground.



INFORMATION: Be sure to secure and/or weight the base of the umbrella.



INFORMATION: Close the umbrella and use the canopy storage straps when umbrella is not in use.



INFORMATION: Schematics in this manual are for assembly and operation illustration only. They may differ from the umbrella's actual appearance.

Battery Replacement and Disposal Instructions

- For best results, use 18650 Lithium 2000mAh (rechargeable batteries supplied with panel) rechargeable batteries.
- Install only new batteries of the same type in your product.
- Failure to insert batteries in the correct polarity, as indicated in the battery compartment, may shorten the life of the batteries or cause batteries to leak.
- Do not mix old and new batteries.
- Do not mix Alkaline, Standard (Carbon-Zinc) or Rechargeable (Nickel Cadmium) or (Nickel Metal Hydride) batteries.
- Do not dispose of batteries in fire.
- Batteries should be recycled or disposed of as per state and local guidelines.

Warranty

This product is covered under a manufacturer's 2-year warranty from date of purchase against defects in materials and workmanship. This warranty does not cover damage due to neglect, abuse or weather related damage. For full warranty disclosure, email us at customerservice@atleisure.com, call toll free at **1-855-880-7205** or send mail to:

Atleisure, LLC
Customer Service Dept.
1040 Boulevard SE Ste. B
Atlanta GA 30312.

NOT COVERED UNDER WARRANTY

This warranty excludes the following: acts of nature (i.e. wind, fire or freeze); damage caused by improper assembly, accident, disaster, misuse, abuse, negligence and discoloration or fading of the finish as a result of exposure to the elements. Product not intended for commercial use. This warranty gives you specific rights, and you may also have other rights which may vary from state to state.

Filing a Claim

If you are within your warranty, to file a claim you must have your receipt and pictures of your damaged umbrella and send to ATLeisure at:

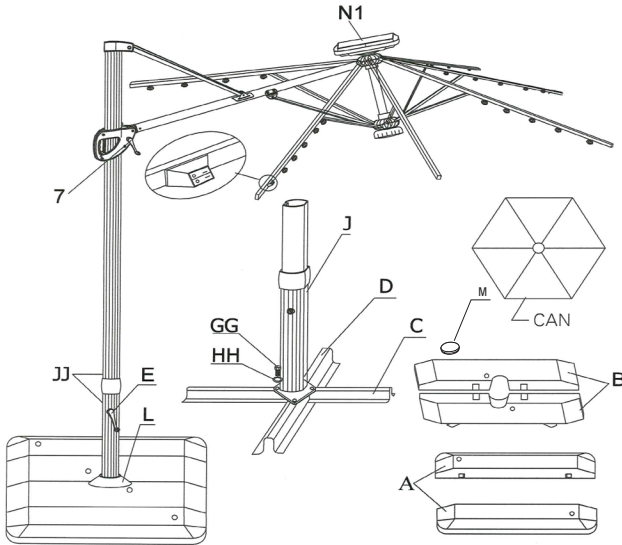
customerservice@atleisure.com

or by mail to:

Atleisure, LLC
Customer Service Dept.
1040 Boulevard SE Ste. B
Atlanta GA 30312.

Replacement Parts

For replacement parts, call our customer service department at **1-855-880-7205**, 8:00am-5:00pm., EST, Monday-Friday.



Part	Description	Quantity	Re-order No.
A	Blow Molded Base Outside	2	BSE-ABMP-BWN-T
B	Blow Molded Base Inside	2	BSE-BBMP-BWN-T
C	Lower Cross Leg	1	CSL-C78RX-BWN-T
D	Upper Cross Leg	1	CSL-D78RX-BWN-T
E	360 Holder Pole Crank	1	CRK-E78RHP-BWN-T
F	Holder Pole	1	HDP-F78RX-BWN-T
GG	Bolts	4	HDW-GG-T
HH	Washers	4	HDW-HH-T
JJ	Hex Bolts	2	HDW-JJ-T
CAN	Canopy	1	CAN-1108RBS-T-BE,RD
N1	Solar Panel	1	SOL-PEZT2-T
7	Crank	1	CRK-778RG-BWN-T
L	Pole Support Cup	1	PSC-L78R-BWN-T
M	Blow Molded Base Cap	4	BSE-CAP-11-BWN-T

U.S. Patent No. 7,533,679, U.S. Patent No. 7,604,015, U.S. Patent No.5,937,882 and U.S. Patent No.8,104,492.



seasons
SENTRY

by atleisure

® www.atleisure.com
ATLANTA, GEORGIA, USA
Customer Service Toll Free 1-855-880-7205
Monday through Friday from 8am-5pm
(Eastern Standard Time)