



# ELECTRIC HEDGE TRIMMER

22-INCH | 3.5 AMP

## OPERATOR'S MANUAL

A Division of Snow Joe®, LLC

Model HJ22HTE

Form No. SJ-HJ22HTE-880E-MR4


## IMPORTANT! Safety Instructions


### All Operators Must Read These Instructions Before Use


Always follow these safety guidelines. Failure to do so may result in serious bodily injury or death.

### General Safety WARNINGS!

You and any other operator of this hedge trimmer must read, understand, and follow these instructions in their entirety. Failure to follow these instructions may result in **ELECTRIC SHOCK, FIRE**, and/or serious **PERSONAL INJURY**.

Notice the personal safety alert symbol  used in this manual to draw your attention to a **WARNING** given along with the particular operating instruction. This means that the operation requires special **ATTENTION, CAUTION, and AWARENESS**.

 **WARNING!** This unit can be dangerous! Careless or improper use can cause serious injury.


 **WARNING!** The rotating blades can cut you. Keep hands and feet away from the blades and the cutting area.

Before using the hedge trimmer, familiarize yourself with the controls, especially how to stop the hedge trimmer in an emergency. The only individuals who should use the hedge trimmer are those who thoroughly understand these instructions and know how to properly operate the unit. Children should never be allowed access to the hedge trimmer.

Retain this manual for future reference and reread it at the start of each trimming season.

1. **Keep work area clean and well-lit** – Cluttered, dark areas invite accidents.
2. **Replacement parts** – When servicing this unit, use only identical replacement parts. Replace or repair damaged cords immediately.
3. **Keep children, bystanders, and pets away** – All spectators, including pets, should be kept a safe distance away from the work area.
4. **Know your product** – Know how to start and stop the machine. Be thoroughly familiar with the controls.
5. **Use the right tool** – Do not use this machine for any job except that for which it was intended.

6. **Dress properly** – Do not wear loose clothing or jewelry as such articles can become caught in moving parts. Wear a protective covering to contain long hair. Wearing rubber gloves and substantial non-slip footwear is recommended when working outdoors.
7. **Extension cords** – To prevent electric shock, use only with an extension cord suitable for outdoor use.
8. **Avoid accidental starting** – Do not carry the hedge trimmer with your finger on the switch. Make sure the switch is off before plugging in or unplugging the unit.

 **CAUTION!** Moving parts will continue to run for several seconds after turning off the machine.

9. **Do not abuse the cord** – Never carry the hedge trimmer by the cord or yank the cord to disconnect it from the receptacle. Keep the cord away from heat, oil, and sharp edges.
10. **Moving parts** – Keep hands and feet away from moving parts. Keep guards in place and in proper working order.
11. **Do not force the tool** – It will perform better with less likelihood of personal or mechanical injury if it is used at the rate for which it was designed.
12. **Do not overreach** – Keep proper footing and balance at all times.
13. **Use safety glasses** – Also use safety footwear, snug-fitting clothing, protective gloves, hearing, and head protection.
14. **Disconnect the tool** – Disconnect the hedge trimmer from the power supply when it is not in use, before servicing it, when changing accessories, and when performing any other maintenance task.
15. **Store idle tool indoors** – When not in use, the hedge trimmer should be stored indoors in a dry and high or locked-up place out of the reach of children.
16. **Maintain the hedge trimmer with care** – Keep the cutting edges sharp and clean for optimal performance and to reduce the risk of injury. Inspect the extension cord periodically and immediately replace it if damaged. Keep the handles dry, clean, and free from oil and grease. Follow the additional recommendations described in the maintenance section of this manual.
17. **Avoid dangerous environments** – Do not use the hedge trimmer in rain or in damp or wet locations. Do not operate the hedge trimmer in gaseous or explosive atmospheres or use the hedge trimmer near flammable or combustible liquids. Motors in these tools normally spark, and the sparks might ignite fumes.

18. **Stay alert** – Watch what you are doing. Use common sense. Do not operate the hedge trimmer when you are tired or under the influence of drugs, alcohol, or other medication.
19. **Check for damaged parts** – Before further use of the appliance, a guard or other part that is damaged should be carefully checked to determine that it will operate properly and perform its intended function. Check for alignment of moving parts, binding of moving parts, breakage of parts, mounting, and any other condition that may affect its operation. A guard or other part that is damaged should be properly repaired or replaced. Contact the Snow Joe® + Sun Joe® customer service center at 1-866-SNOWJOE (1-866-766-9563) for assistance.

## Additional Safety Rules for Hedge Trimmer

1. Remove any adjusting key or wrench before turning the power tool on. A wrench or key left attached to the rotating part of the power tool may result in personal injury.
2. If devices or facilities are available for the extraction and collection of dust, ensure these are connected or properly used. Use of these devices can reduce dust related hazards.
3. Remove any blade that has been damaged. Always make sure that the blade is installed correctly and securely fastened before each use. Failure to do so can cause serious injury.
4. Never cut any material over 0.63 in. (16 mm) in diameter.
5. Maintain a firm grip on both handles while cutting with the blade. Keep the blade away from body.
6. Do not use the hedge trimmer without the front handle in place. Keep both hands on the handles when the unit is in use.
7. Do not use the safety guard or clipping deflector as a gripping surface.
8. Service on the product must be performed by qualified repair personnel only. Service or maintenance performed by unqualified personnel could result in injury to the user or damage to the product.
9. If the power supply cord is damaged, it must be replaced only by the manufacturer or by an authorized service center to avoid risk.
10. Keep all parts of the body away from the cutting blade. Do not remove cut material or hold material to be cut when blades are moving. Make sure the switch is off when clearing jammed material. A moment of inattention while operating the hedge trimmer may result in serious personal injury.
11. Carry the hedge trimmer by the handle with the cutting blade stopped. When transporting or storing the hedge trimmer always keep the blade covered. Proper handling of the hedge trimmer will reduce possible personal injury from the cutter blades.
12. Do not use the hedge trimmer if the switch does not turn it on and off. Any power tool that cannot be controlled with the switch is dangerous and must be repaired.
13. Use the hedge trimmer and accessories in accordance with these instructions, taking into account the working conditions the work to be performed. Use of the power tool for operations different from intended use could lead to a hazardous situation.

## Electric Safety

1. Ground fault circuit interrupter (GFCI) protection should be provided on the circuit(s) or outlet(s) to be used for this electric hedge trimmer. Receptacles are available having built-in GFCI protection and may be used for this measure of safety.

2. To reduce the risk of electric shock, this appliance has a polarized plug (i.e. one blade is wider than the other). Use this appliance only with a polarized UL-, CSA-, or ETL-listed extension cord recommended for outdoor, all-weather use.

The appliance plug will fit into a polarized extension cord only one way. If the appliance plug does not fit fully into the extension cord, reverse the plug. If the plug still does not fit, obtain a correct polarized extension cord. A polarized extension cord will require the use of a polarized wall outlet. The extension cord plug will fit into the polarized wall outlet only one way. If the plug does not fit fully into the wall outlet, reverse the plug. If the plug still does not fit, contact a qualified electrician to install the proper wall outlet. Do not modify the appliance plug, extension cord receptacle, or extension cord plug in any way.

3. To prevent electric shock, use only with an extension cord suitable for outdoor use, such as SW-A, SOW-A, STW-A, STOW-A, SJW-A, SJOW-A, SJTW-A, or SJTOW-A.

Before use, check that the extension cord is in good condition. When using an extension cord, make sure to use one heavy enough to carry the current product. For lengths more than 50 ft (15 m), a No.14 AWG (or greater) extension cord should be used. An undersized cord will cause a drop in line voltage resulting in loss of power and overheating.



## WARNING



**Electric shock may cause SEVERE INJURY or DEATH. Heed these warnings:**

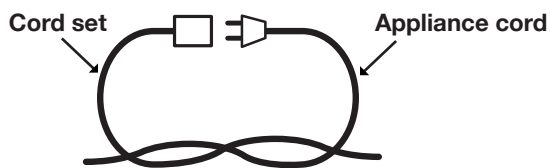
- Do not allow any part of the hedge trimmer to make contact with water while it is in operation. If the appliance becomes wet while turned off, wipe dry before starting.
- Use only a UL-, CSA- or ETL-rated extension cord for outdoor, all-weather use.
- Do not use an extension cord over 100 ft (30 m).
- Do not touch the appliance or its plug with wet hands or while standing in water. Wearing rubber boots offers some protection.

### EXTENSION CORD CHART

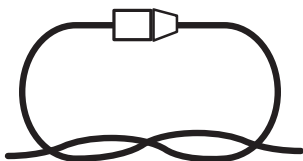
Extension Cord Length	Up to 50 ft (15 m)	+50 ft - 100 ft (+15 m - 30 m)
Wire Gauge (A.W.G.):	16	14

4. To prevent the appliance cord from disconnecting from the extension cord during operation, use the onboard extension cord restraint hook and/or make a knot with the two cords as shown in Table 1.

Table 1. Method of Securing Extension Cord



(A) Tie cord as shown




(B) Connect plug and receptacle

5. Power tool plugs must match the outlet. Never modify the plug in any way. Do not use any adapter plugs with earthed (grounded) power tools. Unmodified plugs and matching outlets will reduce risk of electric shock.
6. Avoid body contact with earthed or grounded surfaces, such as pipes, radiators, ranges and refrigerators. There is an increased risk of electric shock if your body is earthed or grounded.
7. If the supply cord is damaged, it must be replaced by an electrician or a power tool repairer.

8. When operating a power tool outdoors, use an extension cord suitable for outdoor use. Use of a cord suitable for outdoor use reduces the risk of electric shock.
9. If operating a power tool in a damp location is unavoidable, use a residual current device (RCD) protected supply. Use of an RCD reduces the risk of electric shock.
10. Have your tool repaired by an electrician or a qualified service center. This power tool complies with relevant safety requirements. To avoid danger, electrical appliances must only be repaired by qualified personnel using original spare parts; otherwise this may result in considerable damage to the user.

## Double-Insulated Appliances

In a double-insulated appliance, two systems of insulation are provided instead of grounding. No grounding means is provided on a double-insulated appliance, nor should a means for grounding be added to the appliance. Servicing a double-insulated appliance requires extreme care and knowledge of the system, and should be performed only by qualified service personnel at an authorized Snow Joe® + Sun Joe® dealer. Replacement parts for a double-insulated appliance must be identical to the parts they replace. A double-insulated appliance is marked with the words “Double Insulation” or “Double Insulated.” The symbol  (square within a square) may also be marked on the appliance.








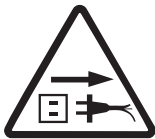




**DOUBLE-INSULATED: GROUNDING NOT REQUIRED. WHEN SERVICING, USE ONLY IDENTICAL REPLACEMENT PARTS.**

This hedge trimmer is double-insulated, eliminating the need for a separate grounding system. Use only identical replacement parts. Read the instructions before servicing double-insulated appliances. Use this electric hedge trimmer only as described in this manual.

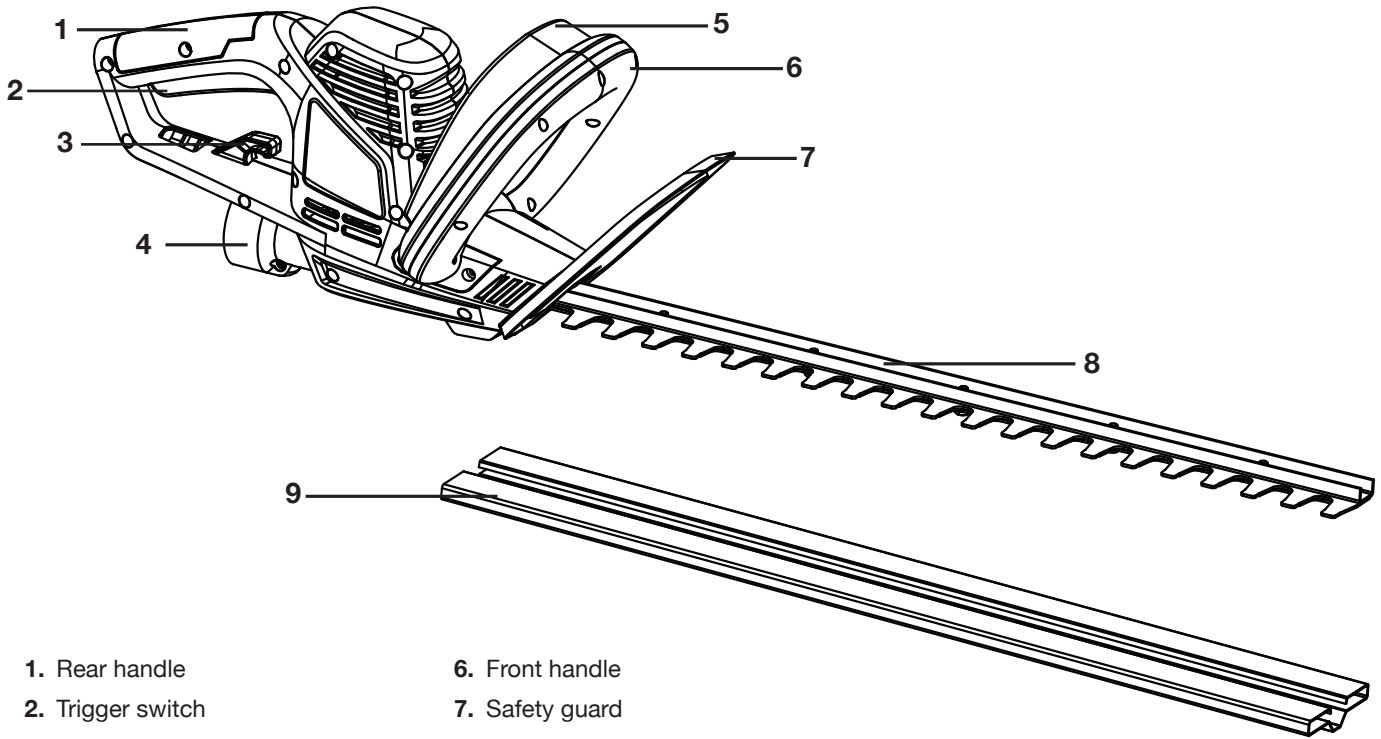
# Safety Symbols

The following table depicts and describes safety symbols that may appear on this product. Read, understand, and follow all instructions on the machine before attempting to assemble and operate.

Symbols	Descriptions	Symbols	Descriptions
	<b>READ THE OPERATOR'S MANUAL(S)</b> – Read, understand, and follow all instructions in the user manual(s) before attempting to assemble and operate.		<b>SAFETY ALERT</b> – Indicates a precaution, a warning, or a danger.
	<b>WARNING!</b> Do not expose the unit to rain or wet conditions.		<b>WEAR EYE AND HEARING PROTECTION</b> – For protection against injury, wear ear defenders and safety goggles.
	Wear protective gloves and non-slip footwear when using the machine and handling debris.		<b>DANGER! ROTATING BLADES</b> – Keep hands and feet away from openings while the trimmer is running.
	<b>SWITCH OFF!</b> Remove plug from outlet before cleaning or conducting maintenance checks.		<b>SWITCH OFF!</b> Remove plug from outlet immediately if the cord is damaged or cut.
	Keep bystanders a safe distance away from the work area.		Double Insulation.

# Know Your Electric Hedge Trimmer

Read the owner's manual and safety instructions carefully before operating the electric hedge trimmer. Compare the illustration below to the electric hedge trimmer in order to become familiar with the location of the various controls and adjustments. Save this manual for future reference.



- |                                  |                  |
|----------------------------------|------------------|
| 1. Rear handle                   | 6. Front handle  |
| 2. Trigger switch                | 7. Safety guard  |
| 3. Extension cord restraint hook | 8. Cutting blade |
| 4. Power plug                    | 9. Blade cover   |
| 5. Hand safety switch            |                  |

## Technical Data

Rated Voltage	120 V ~ 60 Hz	Blade Material	Rust-resistant, forged-iron blades
Power	3.5 A	Blade Length	22 in. (56 cm)
No Load Speed	3500 ± 10% rpm	Cutting Diameter (Max)	0.63 in. (1.6 cm)
Blade Movement	Dual-action	Weight	5.1 lbs (2.3 kg)

# Unpacking

## Carton Contents

- Electric hedge trimmer
- Blade cover
- Manual with registration card

1. Carefully remove the electric hedge trimmer and check to see that all of the above items are supplied.
2. Inspect the product carefully to make sure no breakage or damage occurred during shipping. If you find damaged or missing parts, DO NOT return the unit to the store. Please call the Snow Joe® + Sun Joe® customer service center at 1-866-SNOWJOE (1-866-766-9563).

**NOTE:** Do not discard the shipping carton and packaging material until you are ready to use the electric hedge trimmer. The packaging is made of recyclable materials. Properly dispose of these materials in accordance with local regulations or save the packaging for long-term product storage.

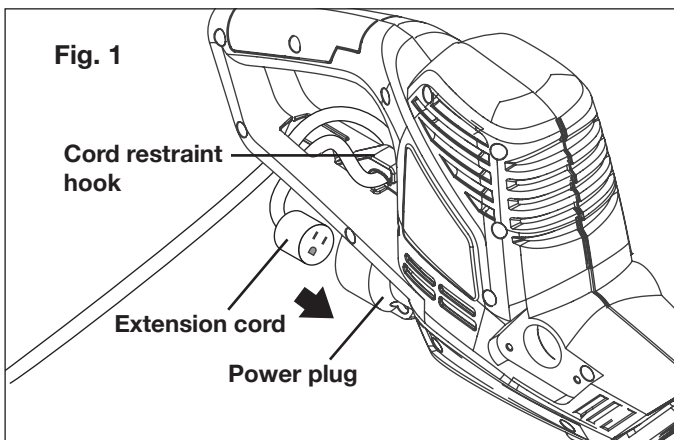
**IMPORTANT!** The equipment and packaging material are not toys. Do not let children play with plastic bags, foils, or small parts. These items can be swallowed and pose a suffocation risk!

# Operation

## Connecting to Power Supply

This product is designed with a cord restraint hook that prevents the extension cord from disconnecting during operation.

1. Only connect the electric hedge trimmer to a working 120 V outlet using a heavy-duty outdoor extension power cord.
2. Make a loop in the extension cord and push it up through the hole in the handle and around the cord restraint hook, then connect the extension cord to the power plug (Fig. 1).



## Holding the Trimmer

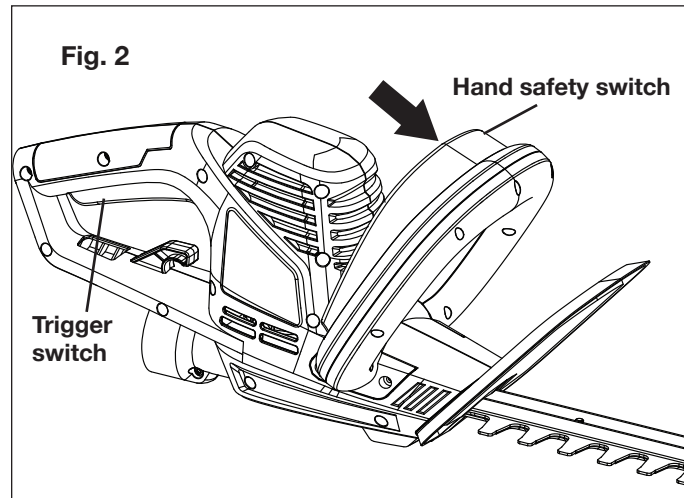
Before operating the hedge trimmer, stand in the operating position and perform the following checks:

1. You are wearing all of the necessary personal protective equipment, including protective gloves, non-slip footwear, safety goggles, ear defenders, and close-fitting clothing.
2. You are holding the unit firmly with both hands. Your right arm is slightly bent and is holding the rear handle, and your left arm is straight and is holding the front handle.
3. You are standing with proper footing and are holding the hedge trimmer so that the cutting blades are always away from your body.

**⚠ WARNING!** Always keep both hands on the hedge trimmer handles. Never hold shrubs with one hand and operate the hedge trimmer with the other. Improper handling of the hedge trimmer could result in serious injury.

## Starting + Stopping

1. To start the tool, press and hold the hand safety switch, then squeeze the trigger switch (Fig. 2).



2. Release the trigger switch and the hand safety switch to stop the tool.

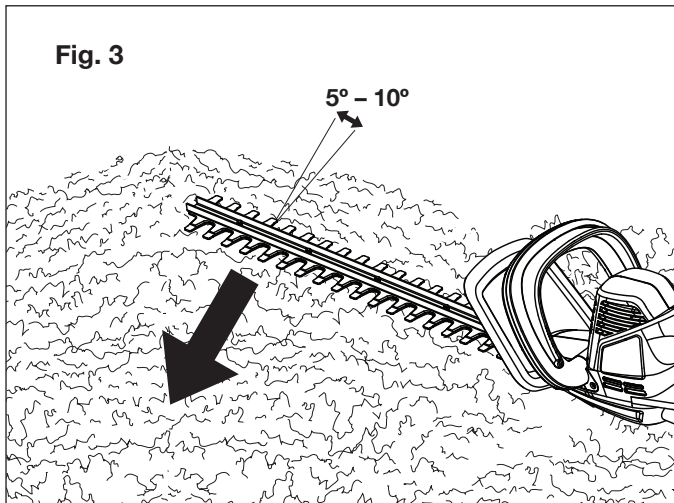
## Cutting Procedures

**⚠ WARNING!** Never cut near electric cords or power lines. If the blade jams on any electrical cable, **DO NOT TOUCH THE BLADE. IT CAN CONDUCT ELECTRICITY AND FATALLY SHOCK YOU!** Instead, continue to hold the hedge trimmer by the insulated rear handle, and lay it down and away from you in a safe manner. Make sure that electrical service to the damaged electrical cable is disconnected before attempting to free the hedge trimmer blade. Contact with the blade, other conductive parts of the hedge trimmer, or live electric cords or power lines will result in death by electrocution or serious injury.

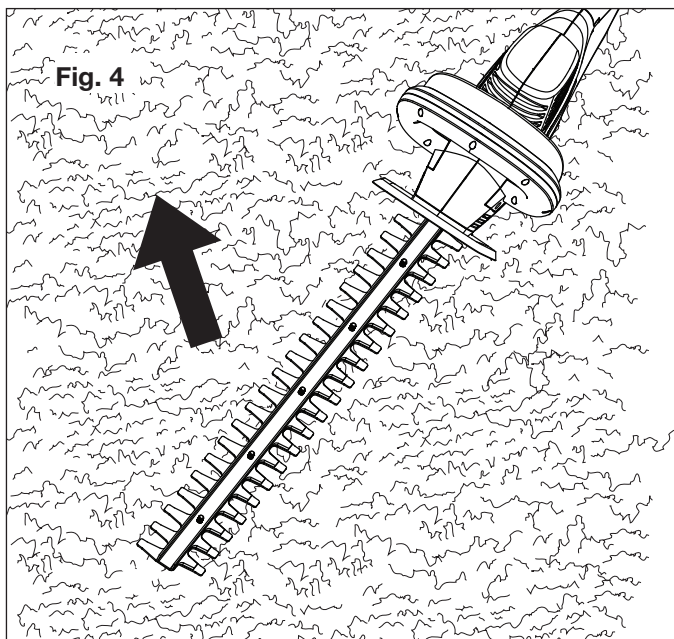


**⚠️WARNING!** Clear the area to be cut before each use. Remove all objects such as cords, lights, wire, or loose string which can become entangled in the cutting blade and create a risk of electric shock and serious personal injury.

1. When trimming new growth, use a wide sweeping action so that the stems are fed directly into the blade. Do not try to cut branches that are thicker than 0.63 in. (16 mm) or those that are obviously too large to feed into the blade. Use lopping shears, a hand saw, or a pruning saw to cut out thick branches first. If a substantial cut is necessary, cut a little at a time in several passes. Cut both sides of the hedge first and then the top.
2. To perform a horizontal cut, hold the hedge trimmer with the blade tilted 5-10 degrees to your cutting object; this makes the operation easier and ensures a better cut (Fig. 3).



3. To perform a vertical cut, start trimming at the bottom and sweep up for even cutting. Swing the blades in an arc towards the outsides of the hedge so that the cuttings are swept on the ground (Fig. 4).



## Care + Maintenance

**⚠️ATTENTION!** Before performing any cleaning or maintenance, disconnect the unit from the power supply. Never touch the moving blades.

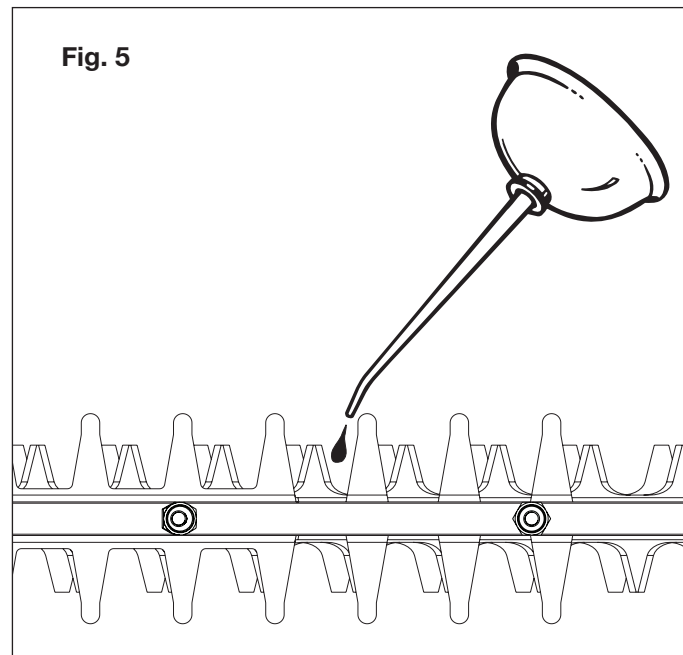
**⚠️WARNING!** Never spray or clean the hedge shears with water.

1. Clean the hedge shears with a dry towel, particularly the ventilation slits, after each use, or use a brush in the event of heavy soiling. Spray the blades with lightweight machine oil after each use.
2. Store the hedge trimmer in the blade cover provided. Store the hedge trimmer in a dry location out of the reach of children.
3. When servicing, use only identical replacement parts. Use of any other parts can create a hazard or cause product damage. Please contact an authorized Snow Joe® + Sun Joe® dealer or call the Snow Joe® + Sun Joe® customer service center at 1-866-SNOWJOE (1-866-766-9563) for all replacement parts and accessories for your product.

### Lubricate the Blades

For easier operation and longer blade life, lubricate the hedge trimmer blade before and after each use.

1. Stop the motor and disconnect the unit from the power supply.
2. Lay the hedge trimmer on a flat surface. Apply lightweight machine oil along the edge of the top blade (Fig. 5). If you will be using the hedge trimmer for an extended period, it is advisable to stop work intermittently in order to re-oil the blade.



**NOTE:** Do not oil while the hedge trimmer is running.











## SNOW JOE® + SUN JOE® CUSTOMER PROMISE

**ABOVE ALL ELSE,** Snow Joe® + Sun Joe® are dedicated to you, our customer. We strive to make your experience as pleasant as possible. Unfortunately, there are times when a product does not work or breaks under normal operating conditions. We think it's important that you know what you can expect from us. That's why we created the Snow Joe® + Sun Joe® promise.

**OUR PROMISE:** Snow Joe® + Sun Joe® warrant new products for two years from the date of purchase. If your product does not work, or there's an issue with a specific part, we will fix this by either sending you a free replacement part or by sending you a new or comparable product at no charge. How cool is that! Before you know it, you'll be back in action cutting, sawing, mowing, washing and...?

### PRODUCT REGISTRATION:

Snow Joe®, LLC ("Snow Joe® + Sun Joe®") strongly encourages you to register your purchase. You can register online at [snowjoe.com/ProductRegistration](http://snowjoe.com/ProductRegistration), or by printing and mailing in a registration card available online from our website, or calling our Customer Service Department at **1-866-SNOWJOE (1-866-766-9563)**, or by e-mailing us at [help@snowjoe.com](mailto:help@snowjoe.com). Failure to register your product purchase will not diminish your warranty rights. However, registering your purchase will allow Snow Joe® + Sun Joe® to better serve you with any of your customer service needs.

### WHO CAN SEEK WARRANTY COVERAGE?

This Warranty is extended by Snow Joe® + Sun Joe® to the owner of this Machine (a "Machine" consists of a product powered by a motor) for residential and personal household use only. This Warranty does not apply to products used for commercial, rental or re-sale purposes. Should ownership of this machine change during the 2-year period, please update the Machine's owner information at [snowjoe.com/ProductRegistration](http://snowjoe.com/ProductRegistration).

### WHAT IS COVERED?

Snow Joe® + Sun Joe® warrants to the owner that if this Machine fails within 2 years from the date of purchase due to a defect in material or workmanship or as a result of normal wear and tear from ordinary household use, Snow Joe® + Sun Joe® will send a replacement part or product, as needed, free of charge and with free shipping to the original purchaser.

If, in Snow Joe® + Sun Joe®'s sole discretion, the failed Machine cannot be repaired with a part, Snow Joe® + Sun Joe® will elect to either (A) send a new Machine at no charge and with free shipping or (B) refund the full purchase price to the owner.

### WHAT IS NOT COVERED?

This Warranty does not apply to the Machines that have been used commercially or in non-household applications. This Warranty does not cover cosmetic changes that do not affect performance. This Warranty is only valid if the Machine is used and maintained in accordance with the instructions, warnings and safeguards contained in the owner's manual. Snow Joe® + Sun Joe® will not be responsible for the cost of any unauthorized warranty repairs. This warranty does not cover any cost or expense incurred by the purchaser in providing substitute equipment or service during reasonable periods of malfunction or non-use of this product while waiting for a replacement part or unit under this warranty.

Wearing parts like belts, augers, chains and tines are not covered under this warranty, and can be purchased at [snowjoe.com](http://snowjoe.com) or by calling **1-866-SNOWJOE (1-866-766-9563)**. Batteries are covered in full for 90-days from the date of purchase.

Repair, replacement or refund of the purchase price are the exclusive remedies of purchaser and the sole liability of Snow Joe® + Sun Joe® under this warranty. No employee or representative of Snow Joe® + Sun Joe® is authorized to make any additional warranty or any modification to this warranty which may be binding upon Snow Joe® + Sun Joe®. Accordingly, purchaser should not rely upon any additional statements made by any employee or representative of Snow Joe® + Sun Joe®. In no event, whether based on contract, indemnity, warranty, tort (including negligence), strict liability or otherwise, shall Snow Joe® + Sun Joe® be liable for any special, indirect, incidental, or consequential damages, including, without limitation, loss of profit or revenue.

Some states do not allow limits on warranties. In such states, the above limitations may not apply to you.

Outside the USA, other warranties may apply.



**snowjoe.com**

**⚠WARNING!** This product or its power cord contains chemicals, including lead, known to the State of California to cause cancer and birth defects or other reproductive harm. Wash hands after handling. For more information go to [www.P65Warnings.ca.gov](http://www.P65Warnings.ca.gov).

**⚠WARNING!** Some dust created by power sanding, sawing, grinding, drilling, and other construction activities contains chemicals known [to the State of California] to cause cancer, birth defects, or other reproductive harm. Some examples of these chemicals are:

- lead from lead-based paints,
- crystalline silica from bricks and cement and other masonry products, and
- arsenic and chromium from chemically-treated lumber.

Your risk from these exposures varies, depending on how often you do this type of work. To reduce your exposure to these chemicals: work in a well ventilated area, and work with approved safety equipment, such as those dust masks that are specifically designed to filter out microscopic particles. For more information go to [www.P65Warnings.ca.gov](http://www.P65Warnings.ca.gov).