

Fisher-Price®

**73528
R6153
W6139**



Please keep this instruction sheet for future reference,
as it contains important information.
Adult assembly is required.
Age: 1½ years - 5 years.
Weight Limit: 50 lbs. (23 kg).
Tools needed for assembly: Phillips Screwdriver,
Hammer and Scrap Block of Wood (all not included).
Actual product may appear different from the photos shown.

www.fisher-price.com

Consumer Information

⚠ WARNING

TO AVOID SERIOUS INJURY:

- Continuous adult supervision required.
- Never use near cars and other motor vehicles, near streets, steps, sloped driveways, hills, roadways, alleys, swimming pools or other bodies of water.
- Always wear shoes.
- Never allow more than one (1) rider.

Care

- Check plastic parts regularly and if broken or cracked, dispose of them properly.
- Check all fasteners regularly to be sure they are tight. If the fasteners are not tight, tighten them as necessary.
- To clean this product, use a mild soap and water solution and a clean cloth. Rinse clean with water to remove soap residue.



CONSUMER ASSISTANCE

1-800-432-5437 (US & Canada)
1300 135 312 (Australia)

service.fisher-price.com

Fisher-Price, Inc., 636 Girard Avenue, East Aurora, NY 14052.
Hearing-impaired consumers: 1-800-382-7470.

Outside the United States:

Canada: Mattel Canada Inc., 6155 Freemont Blvd.,
Mississauga, Ontario L5R 3W2; www.service.mattel.com.

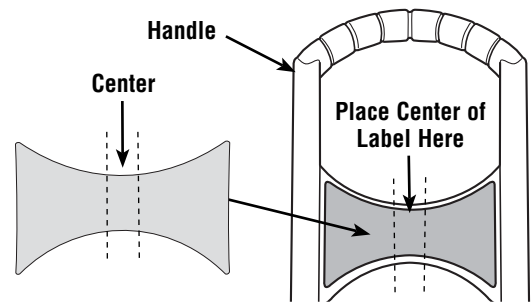
Great Britain: Mattel UK Ltd, Vanwall Business Park,
Maidenhead SL6 4UB. Helpline: 01628 500303.
www.service.mattel.com/uk

Mattel Europa, B.V., Gondel 1, 1186 MJ Amstelveen, Nederland.

Australia: Mattel Australia Pty. Ltd., 658 Church Street,
Locked Bag #870, Richmond, Victoria 3121 Australia.

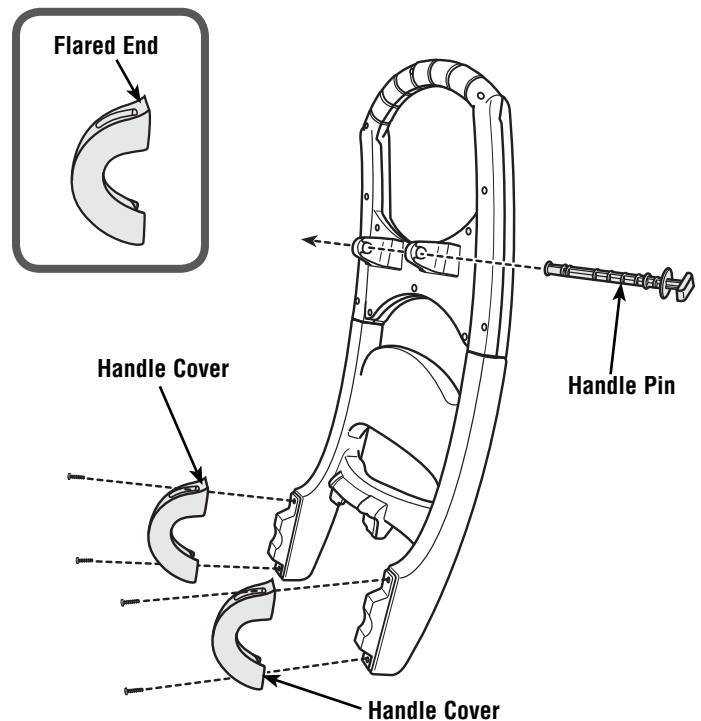
New Zealand: 16-18 William Pickering Drive,
Albany 1331, Auckland.

Label Application



- Before applying the label, wipe the surface of the handle with a clean, dry cloth to remove any dust or oils.
- Remove the backing from the label.
- First, position the center of the label on the handle, as shown. Then, smooth each end of the label outward to attach it to the handle.
- For best results, avoid repositioning a label once it has been applied to the handle.

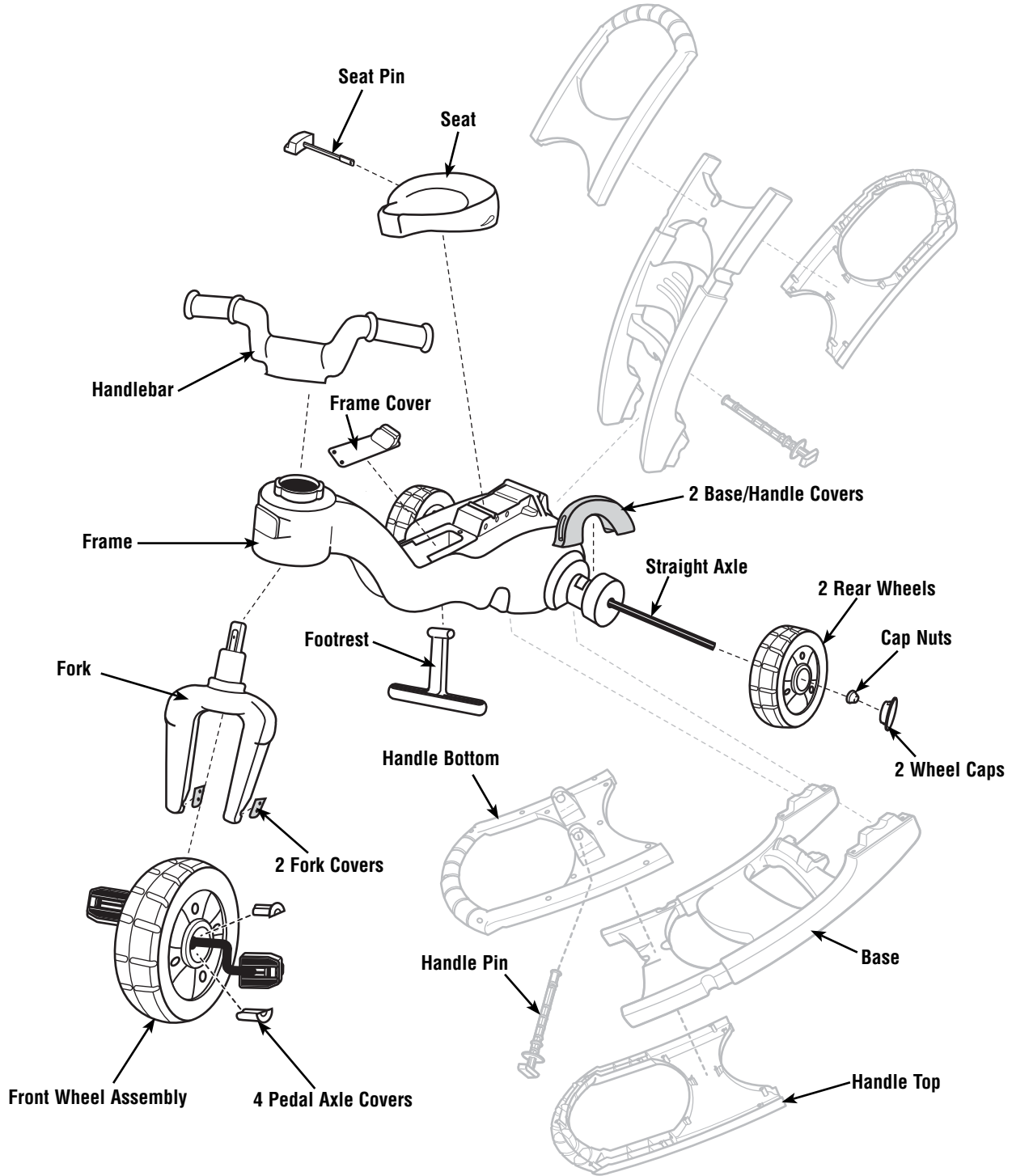
Storage







Helpful Hint: To store for future use, position the handle covers with the flared end upright and attach them to the handle using the four screws. Insert the handle pin into either the holes in the base/handle or through the holes in the retainers. Store the base/handle in a safe place for future use as a ride-on rocker or learn to pedal trike.

Parts

Note: The base/handle assembly can be attached to the trike in either the Ride-on Rocker (page 8) or Learn to Pedal mode (page 9).
 Parts not shown: Assembly Tool and Label.



			
#8 x 3/4" (1,9 cm) Screw - 13	#10 x 3/4" (1,9 cm) Screw - 11	#8 x 3" (7,6 cm) Screw - 1	Cap Nut - 1

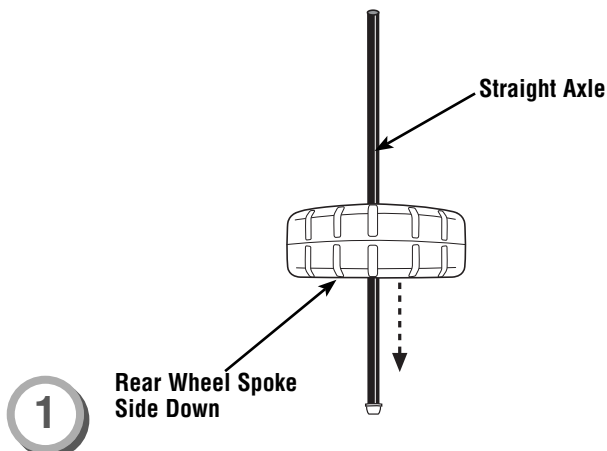
All fasteners are shown actual size. Tighten and loosen the screws with a Phillips screwdriver. Do not over-tighten the screws. For your convenience, an extra cap nut is included.

Assembly

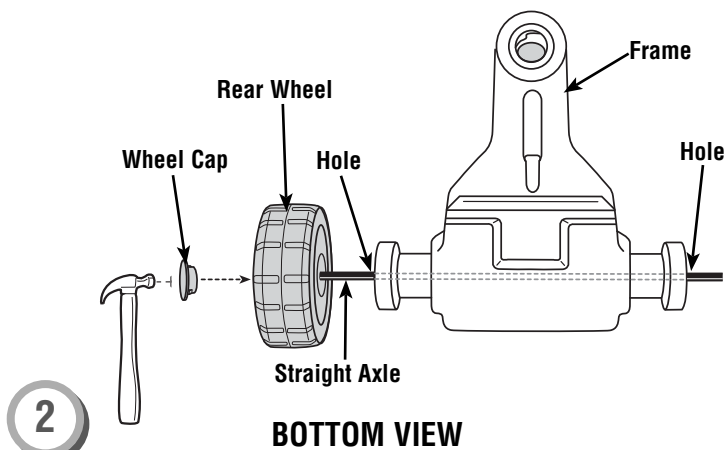
⚠ CAUTION

This product contains small parts in an unassembled state. Adult assembly is required.

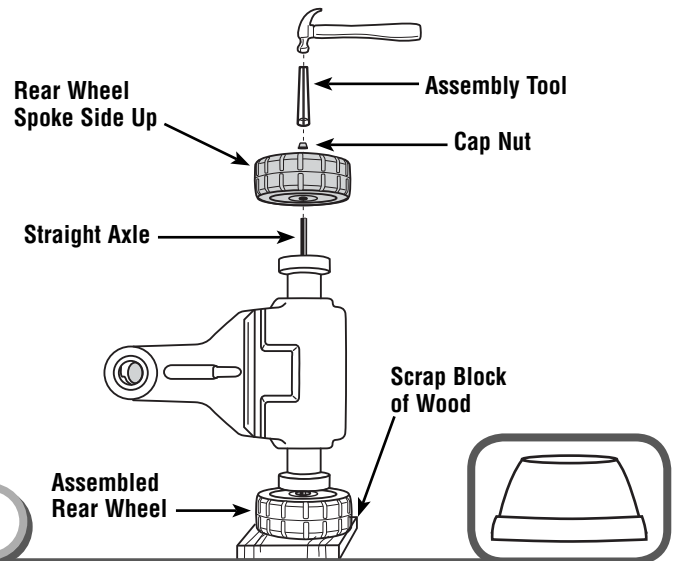
- Please save all packaging material until assembly is complete to ensure that no parts are discarded.
- Please wipe each part with a clean, dry, cloth before assembling this product.



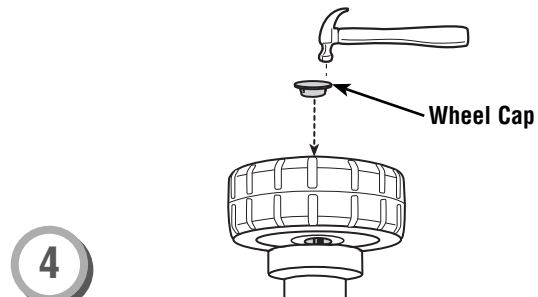
- Slide a rear wheel (spoke side down) onto the straight axle.



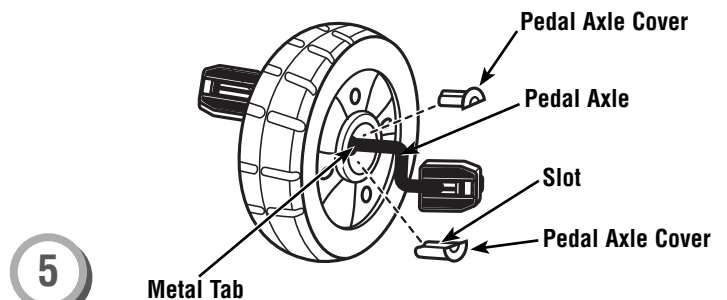
- Turn the frame upside down.
- Insert the straight axle assembly through the holes in the rear of the frame.
- Fit the wheel cap into the center of the wheel. Tap the wheel cap with a hammer to secure it to the wheel.



- Turn the frame on its side with the exposed end of the straight axle up.
- Place the assembled rear wheel on the scrap block of wood.
- Slide the other rear wheel (spoke side up) onto the end of the straight axle.
- Place a cap nut on the end of the straight axle.
- Place the assembly tool over the cap nut and tap it with a hammer. **Gently pull the rear wheel up to be sure the cap nut is securely attached to the straight axle.**

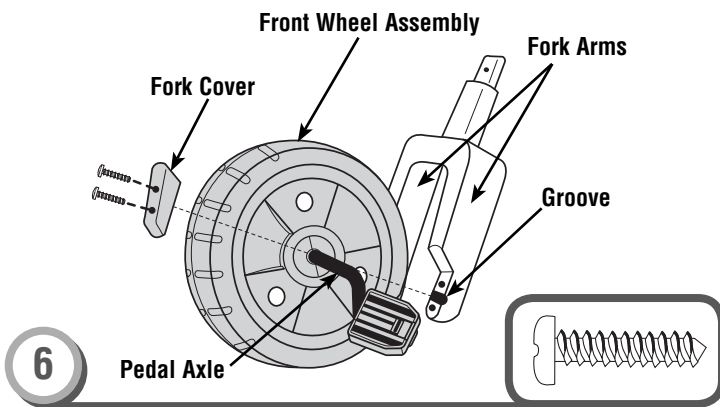


- Fit the wheel cap into the center of the wheel. Tap the wheel cap with a hammer to secure it to the wheel.
- Set the frame assembly aside.

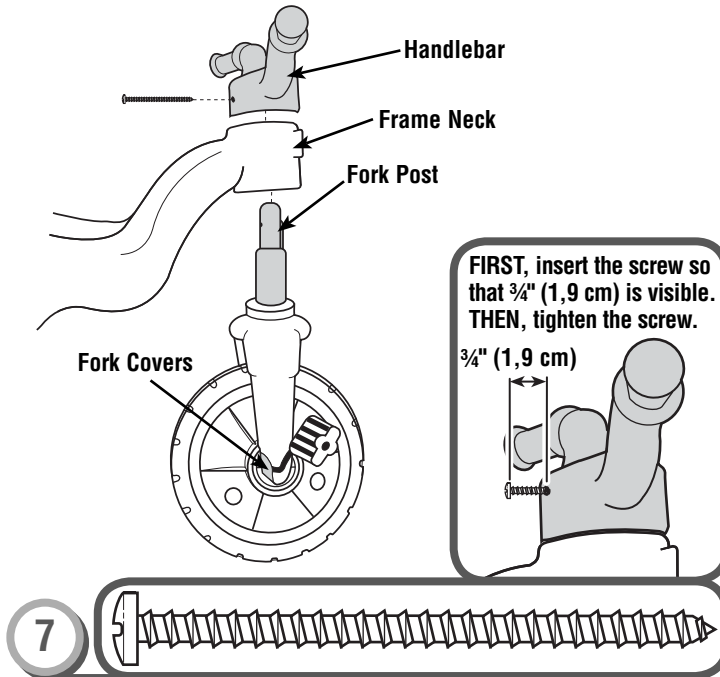


- Fit two pedal axle covers onto the pedal axle metal tabs. Make sure the metal tabs fit into the slot in each pedal axle cover.
- While holding the pedal axle covers on the pedal axle, insert the pedal axle into the hole in the center of the front wheel.
- Push the pedal axle covers into the center of the front wheel until they are flush with the surface of the front wheel.
- Repeat this procedure with the other two pedal axle covers on the other side of the front wheel assembly.

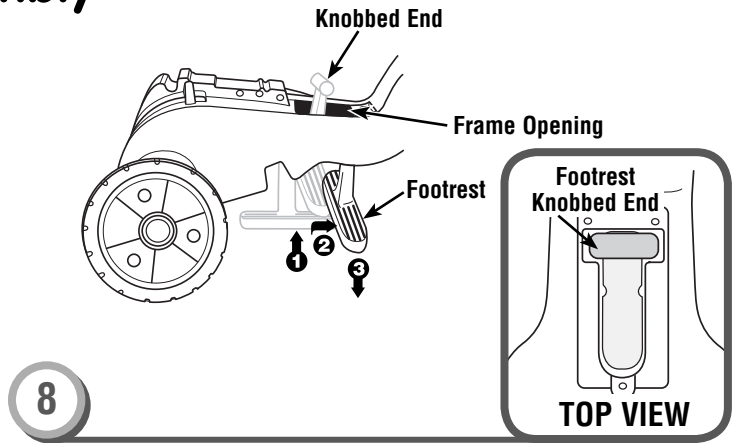
Assembly



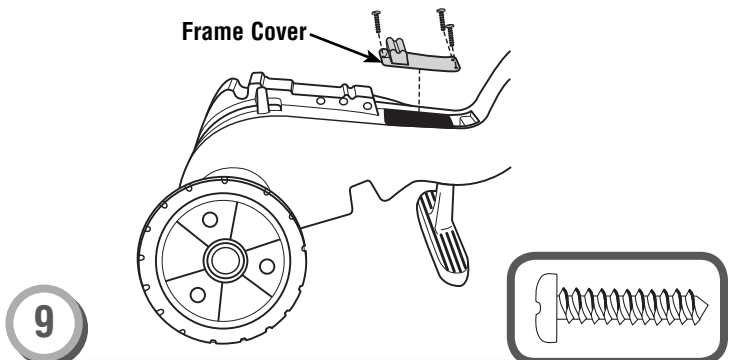
- Place the front wheel assembly between the fork arms so that the pedal axle fits into the groove at the bottom of each fork arm.
- Place a fork cover over the pedal axle on one fork arm.
- Insert two #10 x 3/4" (1,9 cm) screws into the fork cover and tighten.
- Repeat this procedure to attach the other fork cover to the other fork arm, using the #10 x 3/4" (1,9 cm) screws.



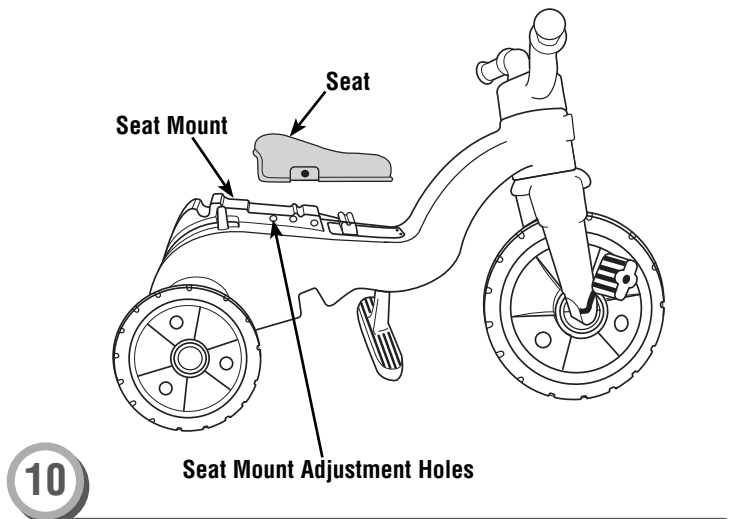
- Turn the frame upright.
- Insert the fork post up through the hole in the frame neck. Make sure the fork is positioned so that the fork covers face the rear wheels.
- Place the handlebar over the fork post and push it down onto the frame. Make sure the handlebar is positioned so that the screw hole faces the rear wheels and aligns with the screw hole in the fork post.
- Insert the #8 x 3" (7,6 cm) screw through the hole in the handlebar and into the fork post so that part of the screw (about 3/4" - 1,9 cm) is still visible. Tighten the screw.



- Insert the knobbed end of the footrest up through the opening in the underside, center of the frame ❶.
- Rotate the footrest 1/4 turn ❷.
- Slide the footrest toward the handlebar as far as it will go until the top of the footrest is positioned over the opening's rectangular cut-out.
- Lower the knobbed end of the footrest into the rectangular cut-out in the frame ❸.

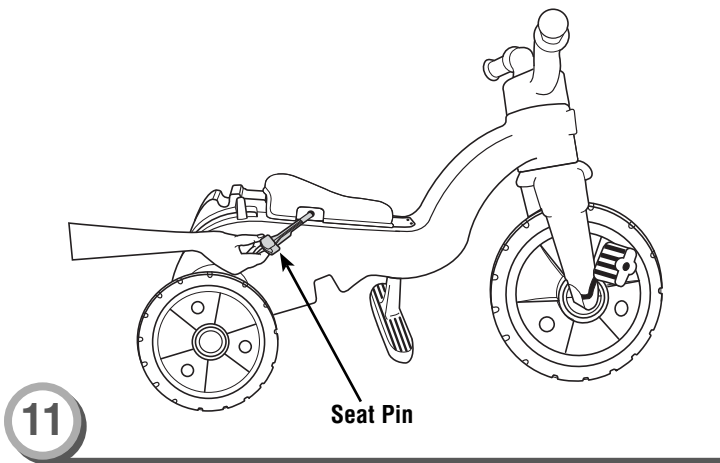


- Place the frame cover over the frame opening. Make sure the holes in the frame cover align with the holes on the frame.
- Insert three #10 x 3/4" (1,9 cm) screws into the frame cover and tighten.



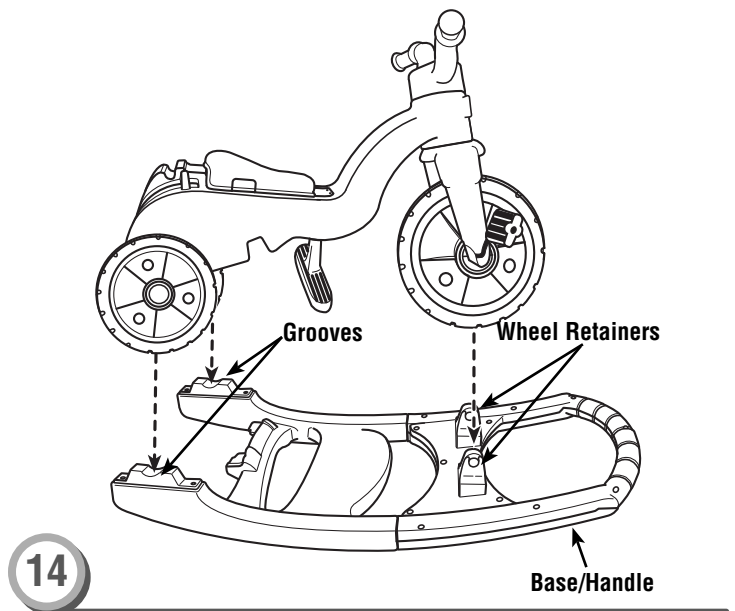
- Place the seat on the seat mount.
- Adjust the seat for your child's comfort by aligning the hole in the seat with one of the seat mount adjustment holes.

Assembly



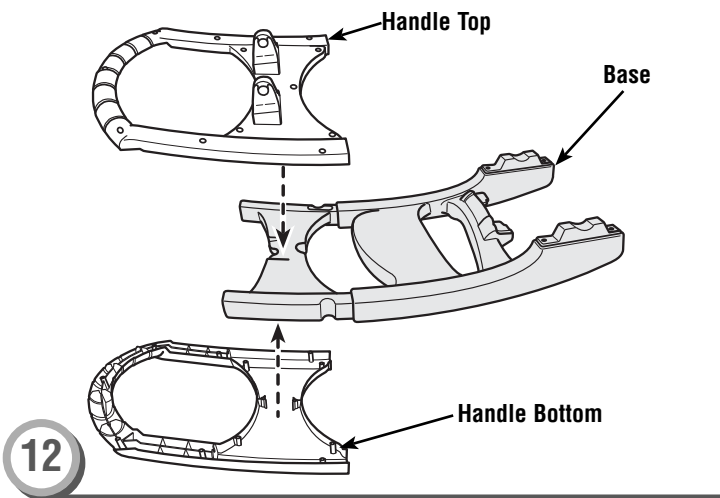
11

- While pushing down on the seat, insert the seat pin through the hole in the seat and into a seat mount adjustment hole.



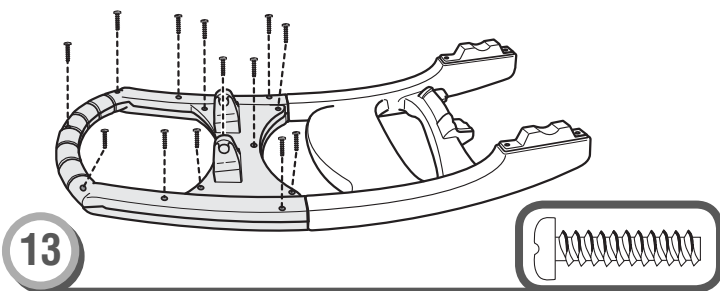
14

- Place the base/handle assembly on a flat surface so that the wheel retainers are upright.
- Fit the trike onto the base/handle assembly so that the rear frame rests in the grooves in the base and the front wheel fits between the wheel retainers in the base/handle.



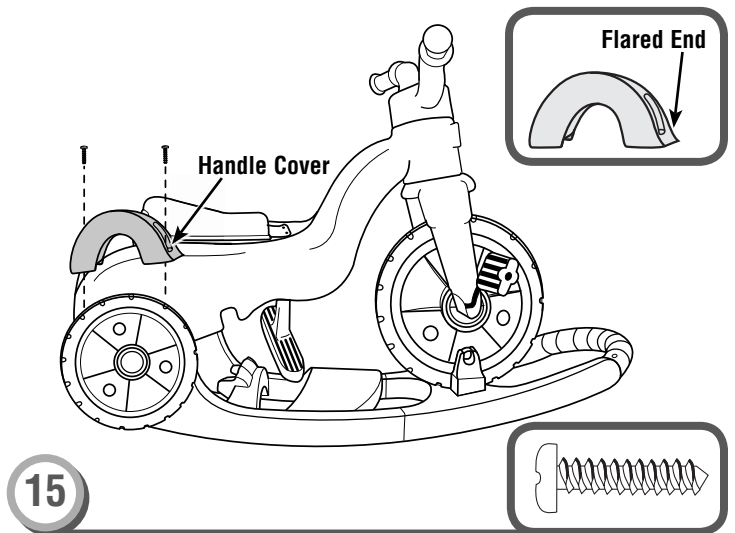
12

- Fit the handle top and bottom to the end of the base, as shown.



13

- Insert 13 - #8 x 3/4" (1,9 cm) screws into the handle top and tighten.

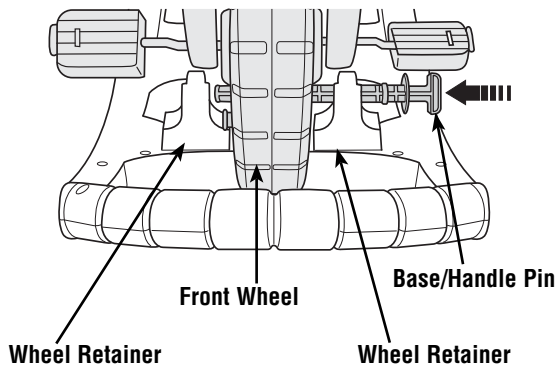


15

- Position the base/handle covers so that the flared end faces the front of the trike.
- Fit the base/handle covers onto the trike rear frame near the rear wheels.
- Insert two #10 x 3/4" (1,9 cm) screws into each base/handle cover and tighten.

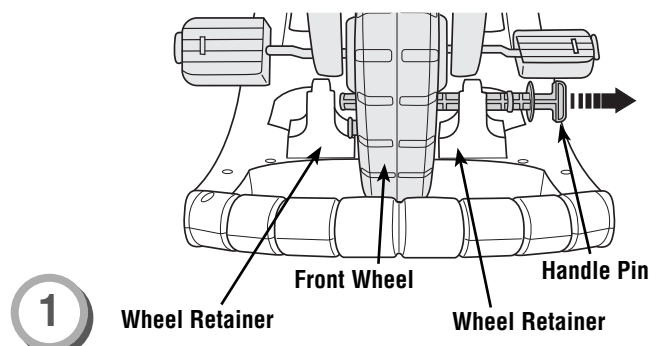
Ride-on Rocker

IMPORTANT! Be sure to adjust the seat in the most forward position for Ride-on Rocker mode.



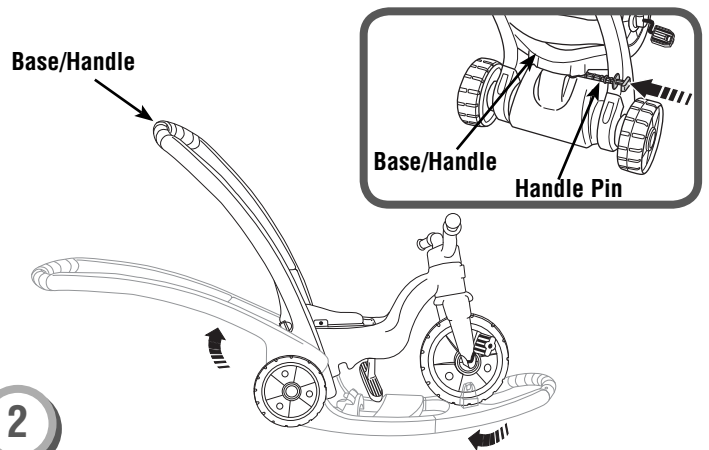
- Insert the base/handle pin through one wheel retainer, a hole in the front wheel and into the other wheel retainer.
- Push the handle pin to “**snap**” it into place. Pull on the handle pin to be sure it is secure.

Learn to Pedal Trike



1

- If you are converting from the ride-on rocker mode, remove the handle pin from the wheel retainers and front wheel.



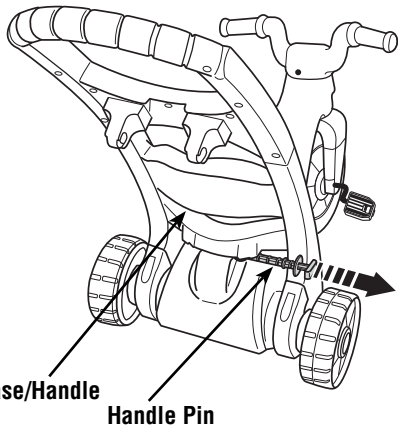
2

- Rotate the base/handle to the upright position.
- Insert the handle pin through one side of the base/handle, through the holes in the back of the frame and out through the hole in the other side of the base/handle. **Make sure the handle pin “snaps” into place.**
- Pull on the handle pin to be sure it is secure.

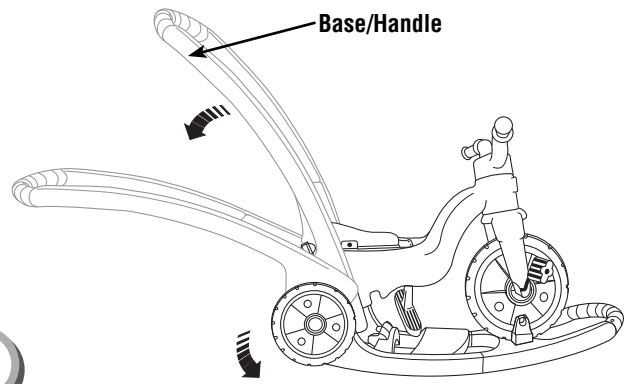
Pedal Trike



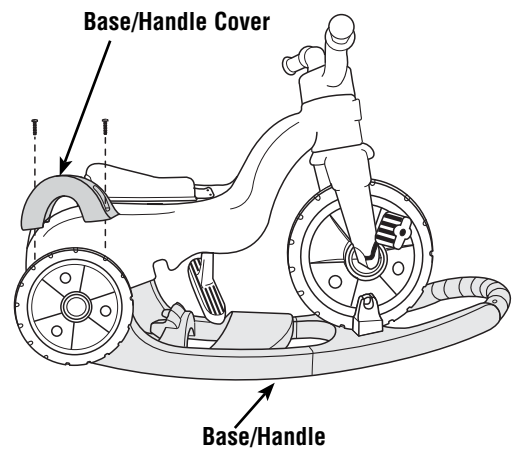
IMPORTANT! It is a good practice to start training children very young regarding the importance of helmet use. When children are older and riding bicycles and faster vehicles, it is important that they use a helmet each and every time they ride. For this reason, even while riding a tricycle, it is a good idea to familiarize your child with helmet use, so that it becomes a habit for life. Choose a helmet that complies with requirements of the applicable certifying agency for bicycle helmets.



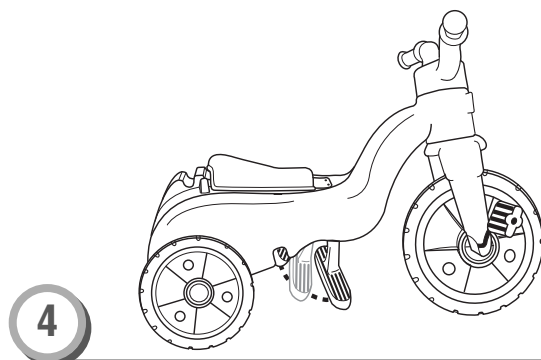
- If you are converting from the learn to pedal trike mode, remove the handle pin from the base/handle and the back of the frame.



- Rotate the base/handle down, under the trike, to the ride-on rocker position.



- Remove the screws from the base/handle covers.
- Remove the base/handle covers.
- Remove the base/handle.



- Rotate the footrest up toward the rear wheels and snap it into the recess in the underside of the frame.