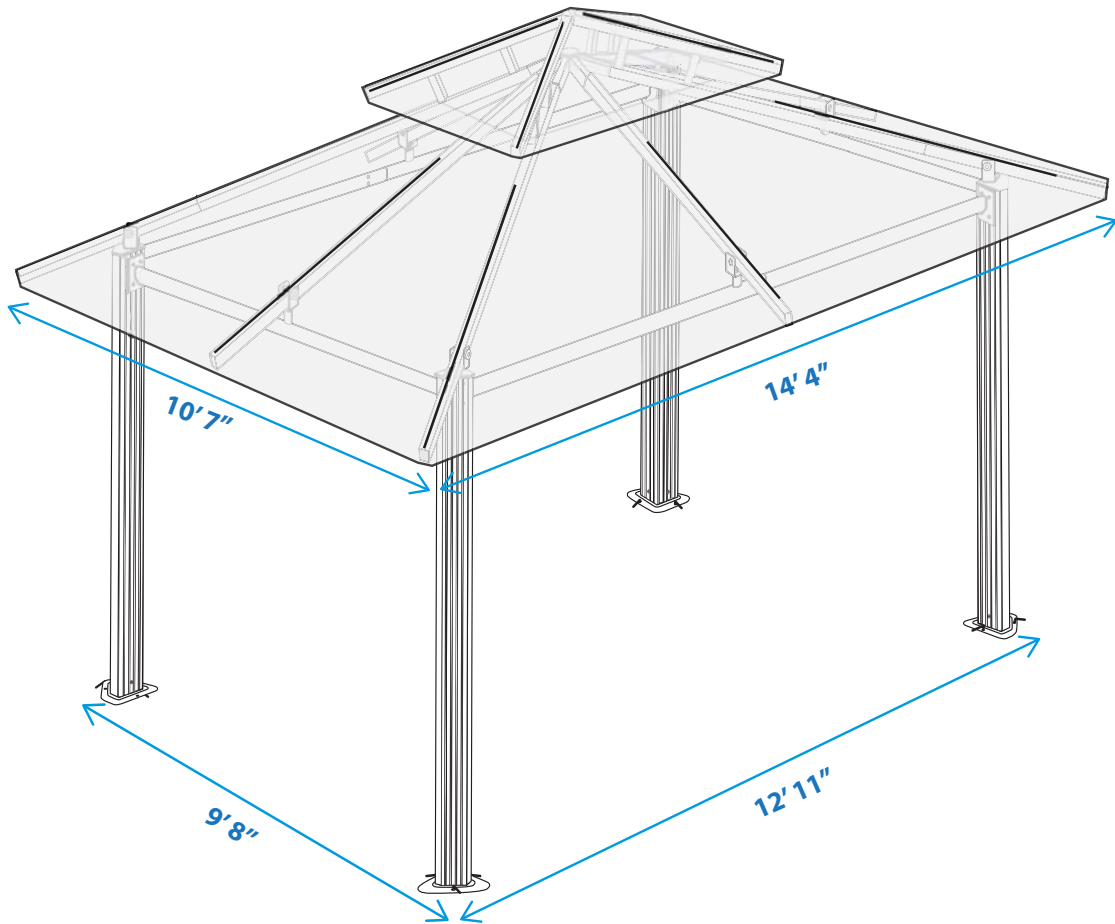




Gazebo GZ584

Assembly Instructions

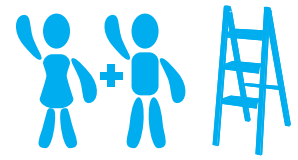


Systems Trading Corporation

450 7th Avenue Suite 2809, New York, NY 10123

Customer service: (877)782 4482 Email: easygrow@stcaustin.com

Introduction



Thank you for purchasing the Gazebo GZ584.

When properly assembled and maintained, this gazebo will provide many years of enjoyment!

These instructions include helpful hints and important information needed to safely assemble and properly maintain the gazebo. Please read these instructions completely before you begin.

Our patented gazebo has been designed for easy assembly. All steps can be completed by a team of two people. The assembly should take about two hours.

Before Starting Assembly:

CAREFULLY READ ALL THE INSTRUCTIONS BEFORE YOU BEGIN AND FOLLOW THE STEPS IN THE ORDER THEY ARE PRESENTED.

1. Make sure you have all the necessary parts:

Compare the contents of the two cartons to the List of Parts. If any parts are missing or damaged, or you have any questions, please contact Customer service: **(877)782 4482** before beginning assembly.

2. Lay the parts out in separate staging areas:

The List of Parts has the corresponding step number referenced to each part. We recommend that while you go through the list, make staging areas for each step and place the parts necessary for each step in these areas. This will save you time and effort during assembly.

3. Select a Location:

When selecting a location for your gazebo, a flat level area is essential and if possible with proper water drainage and easy access to power and water, if necessary.

Choose a sunny, level position away from overhanging trees and power lines and protected from the wind as much as possible. Locate underground pipes or cables before preparing the site or anchoring the gazebo.

Note: You may assemble the gazebo on a hard level surface and move it to its final location when finished. Make sure that there are no obstacles between the assembly area and the final position.

4. Prepare a Foundation:

After choosing a location, proper preparation of the site is recommended. The site must be level.

If the site is not level, create a base slightly larger than the outside dimensions of the gazebo using a perimeter of two by fours filled with either soil, sod or gravel.

Make sure the base is square by measuring the diagonals from both directions and making sure they are equal. The gazebo is secured with pegs into holes cast with concrete.

If you decide to have a concrete base, it is best to contact a reliable contractor to make sure it is flat and level. Make sure you have checked with your local authorities regarding any required building permits.

5. Make sure you have the proper tools:

- Tape Measure
- Work Gloves
- Safety goggles
- Phillips Screwdriver
- Spirit Level
- 2 Small Step Ladders
- Wooden Mallet
- Scissors
- Liquid soap or WD40 Lubricant
- Hex Key (included)

NOTE: A cordless drill with Phillips head bit is highly recommended but not essential.

Safety Advice

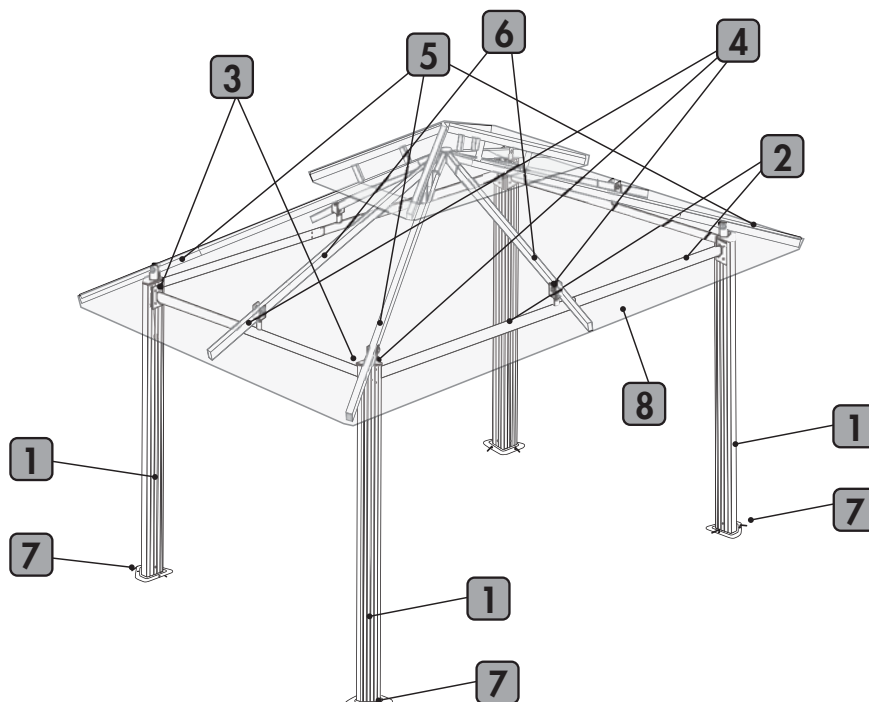
- The gazebo must be positioned and fixed on a flat level surface.
- Dispose of all plastic bags safely. Keep them out of the reach of children.
- Keep children and pets away from the assembly area until the work is completed.
- Always wear shoes, gloves and safety goggles when working.
- Take special care not to touch overhead power lines with the aluminium profiles.
- Do not attempt to assemble the gazebo in windy or wet conditions.
- Do not position your gazebo in an area exposed to excessive wind.
- If using power tools or a ladder, always follow the manufacturers safety instructions.
- Hot items such as recently used grills, blowtorches etc. must not be stored in the gazebo.
- Make sure the gazebo complies with local building codes.

Table of Contents

Introduction.....	2
Table of Contents.....	3
List of Parts.....	4
Step 1 Assembling the Corner Profiles.....	6
Step 2 Assembling the Roof Profiles.....	7
Step 3 Attaching the Roof Profiles to Corner Profiles..	8
Step 4 Attaching the Roof Connectors.....	9
Step 5 Attaching the Corner Roof Gables.....	10
Step 6 Attaching the Center Roof Gables.....	14
Step 7 Securing the Gazebo to the Ground....	15
Step 8 Placing the Canopy.....	15
Optional Securing the Gazebo to a Concrete Floor or Wood Deck.....	17

General Order of Assembly

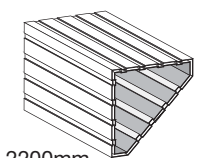

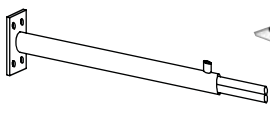
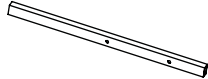
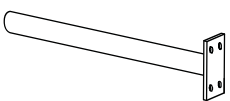
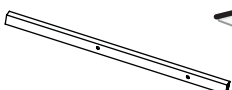
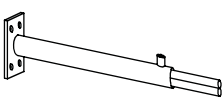
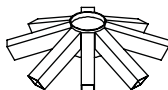
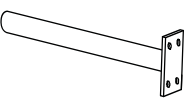
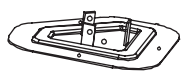
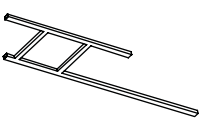
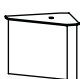
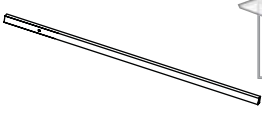
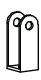
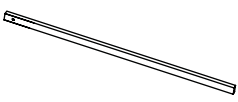
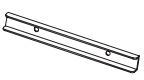
- Step 1 Assembling the Corner Profile
- Step 2 Assembling the Roof Profiles
- Step 3 Attaching the Roof Profiles to Corner Profile
- Step 4 Attaching the Roof Connectors
- Step 5 Attaching the Corner Roof Gables
- Step 6 Attaching the Center Roof Gables
- Step 7 Securing the Gazebo to the Ground
- Step 8 Placing the Canopy

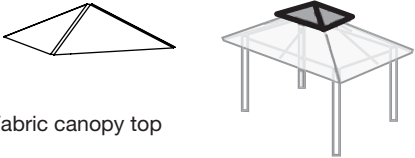

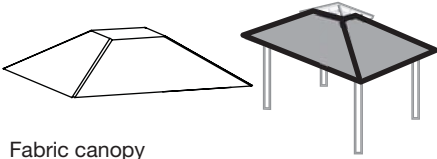
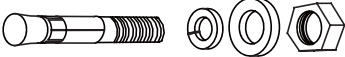

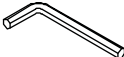
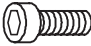
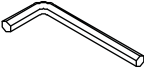

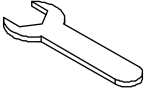



List of Parts



The gazebo is shipped in two cartons. These cartons are heavy. Be careful when lifting them. Wear proper safety gear including work shoes, gloves and goggles. The parts are identified by removable stickers. Place all the parts for each step in staging areas, checking that you have all parts as you go. If any parts are missing or damaged, contact STC customer service before beginning assembly: Customer service: (877)782 4482

No.	Profile	Qty	Step	No.	Profile	Qty	Step
1	 2200mm	4	1	9		1	5
2	 2100mm	2	2	11		1	5
3	 1800mm	2	2	12		3	5
4	 1600mm	2	2	13		1	5
5	 1350mm	2	2	14		4	1
6		4	5	15		4	1
7		2	6	16		8	4
8		2	6	17		4	5,6

No.	Profile	Qty	Step	No.	Profile	Qty	Step
18	 <p>Fabric canopy top</p>	1	8	24		12	7
19	 <p>Fabric canopy</p>	1	8	25		12	
20		8		26		1	
21		28		27		1	
22		32		28		1	
23		8					

We included some extra screws and bolts for your convenience.

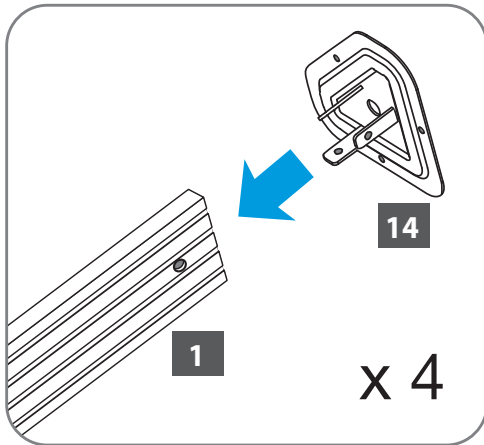
STEP 1 Assembling the Corner Profiles



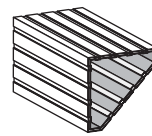
Place all the parts on a level surface.
Make sure the pieces are in the correct positions before assembling.
Carefully follow the order of assembly to ensure an easy installation.
Wear proper safety gear including work shoes, gloves and goggles.

1.A

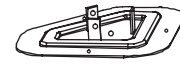
Place corner profiles (1) parallel to each other on the ground. Slide support plates (14) into corner profiles from the end with a single screw hole, as shown.



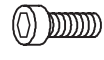
Components



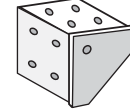
Corner profile (1)
x 4



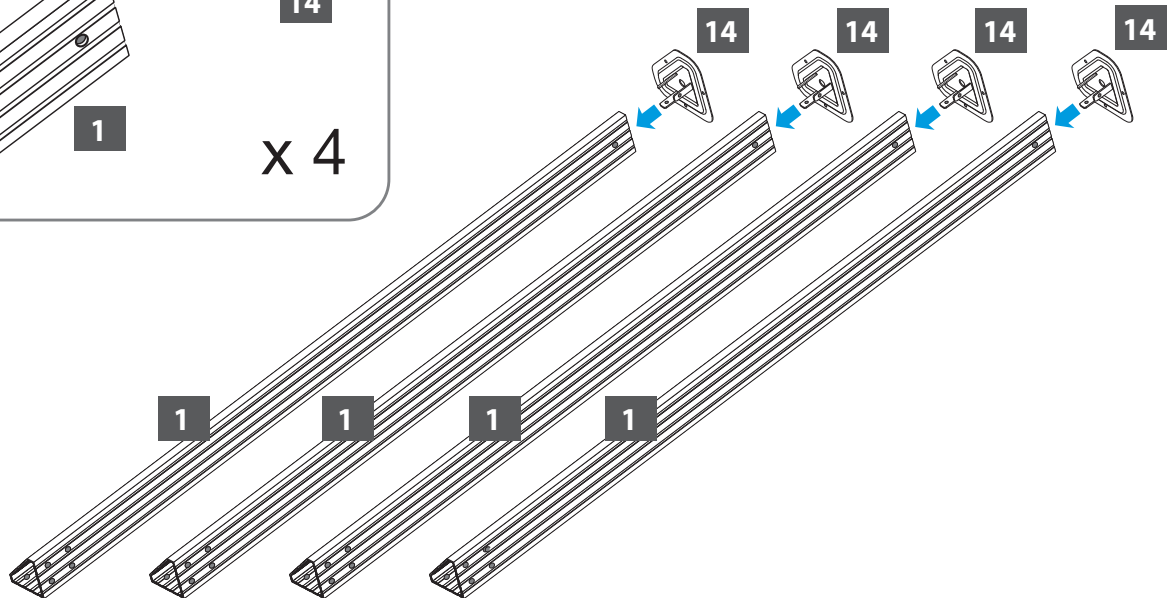
Support plate (14)
x 4



Screw (21)
x 12

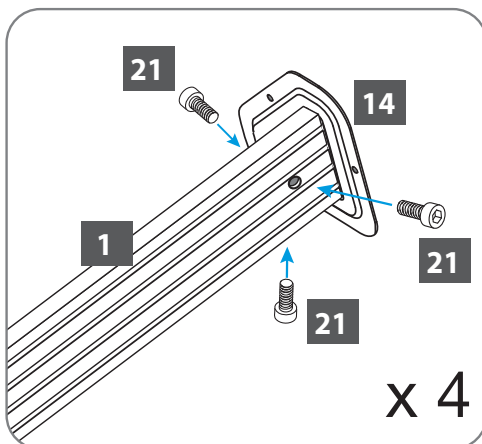


Corner profile cover (15)
x 4



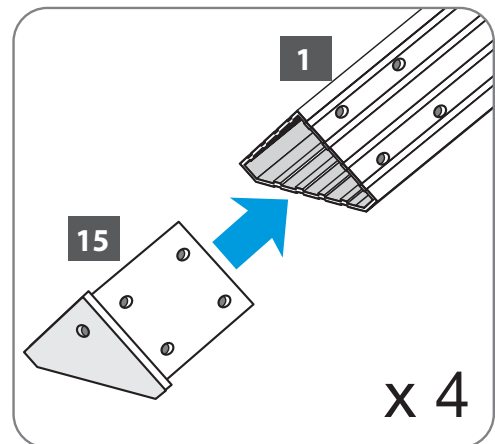
1.B

Fasten each plate to profile using three screws (21).

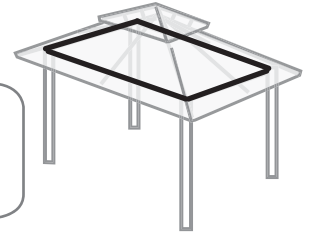


1.C

Insert corner profile covers (15) into top ends of corner profiles (1) as shown.



STEP 2 Assembling the Roof Profiles

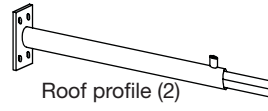


Place all the parts on a level surface. Make sure the pieces are in the correct positions before assembling. Carefully follow the order of assembly to ensure an easy installation. Wear proper safety gear including work shoes, gloves and goggles.

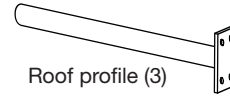
2.A

Insert end of long roof profile (2) into long roof profile (3) as shown. Fasten with screws (20). Repeat to make two sets.

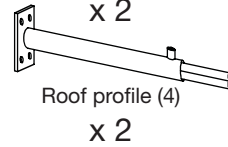
Components



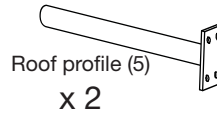
Roof profile (2)
x 2



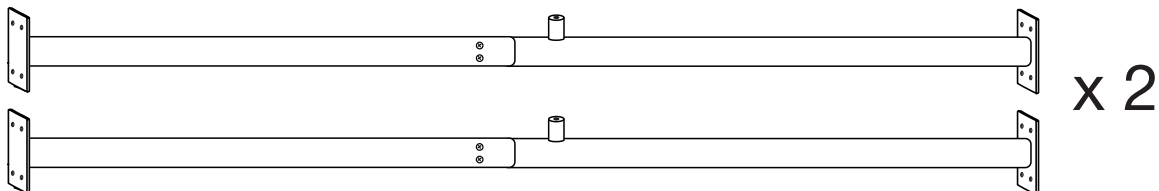
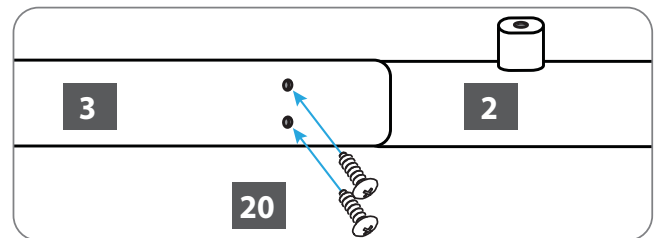
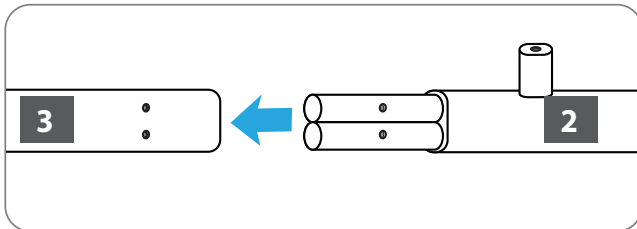
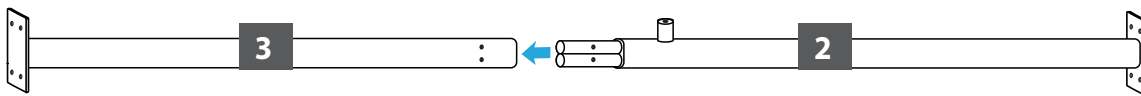
Roof profile (3)
x 2



Roof profile (4)
x 2

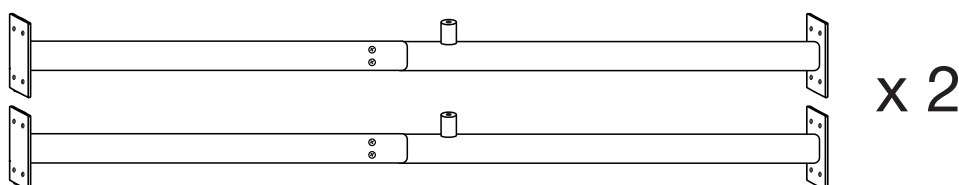
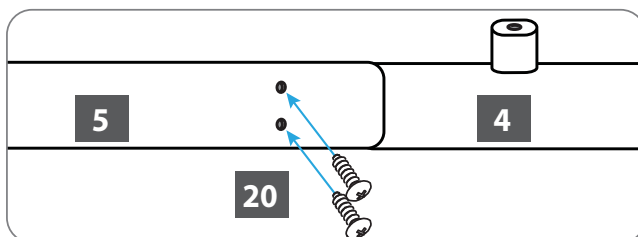
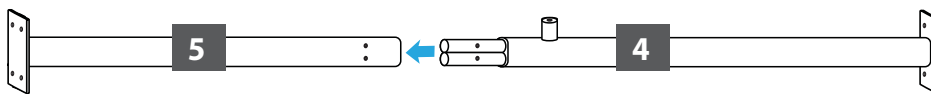


Roof profile (5)
x 2



2.B

Insert end of short roof profile (4) into short roof profile (5) as shown. Fasten with screws (20). Repeat to make two sets.

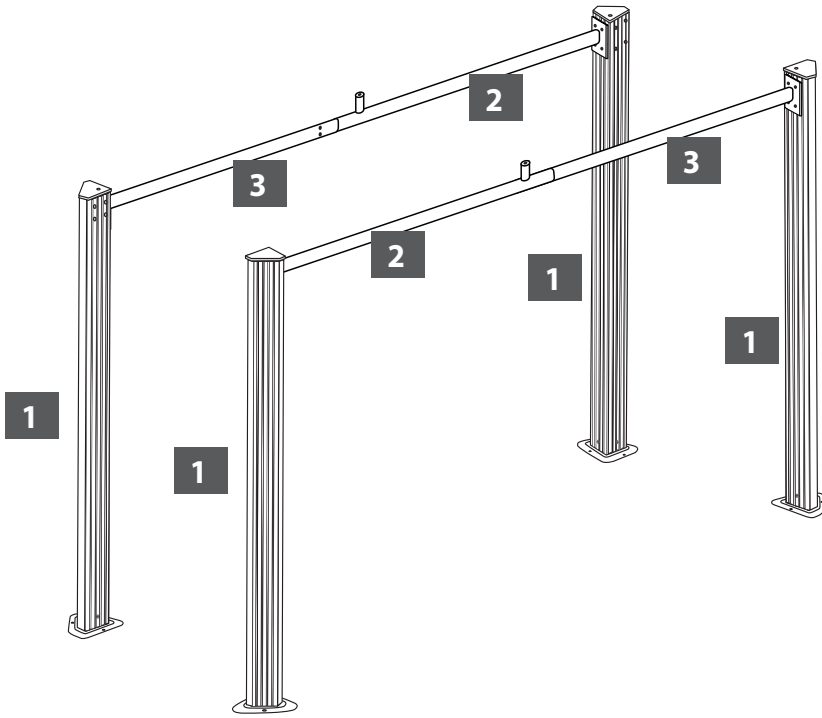


STEP 3 Attaching Roof Profiles to Corner Profiles



3.A

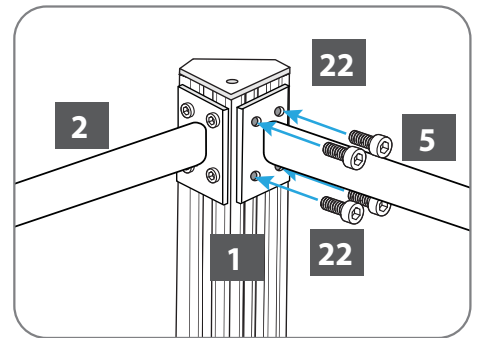
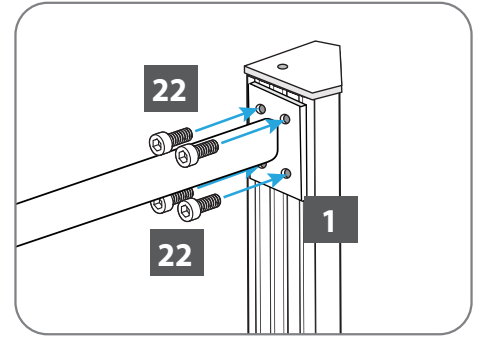
Attach long roof profile sets (2,3) to corner profiles (1) as shown.
Fasten with bolts (22).
Repeat to make two sets.



Components

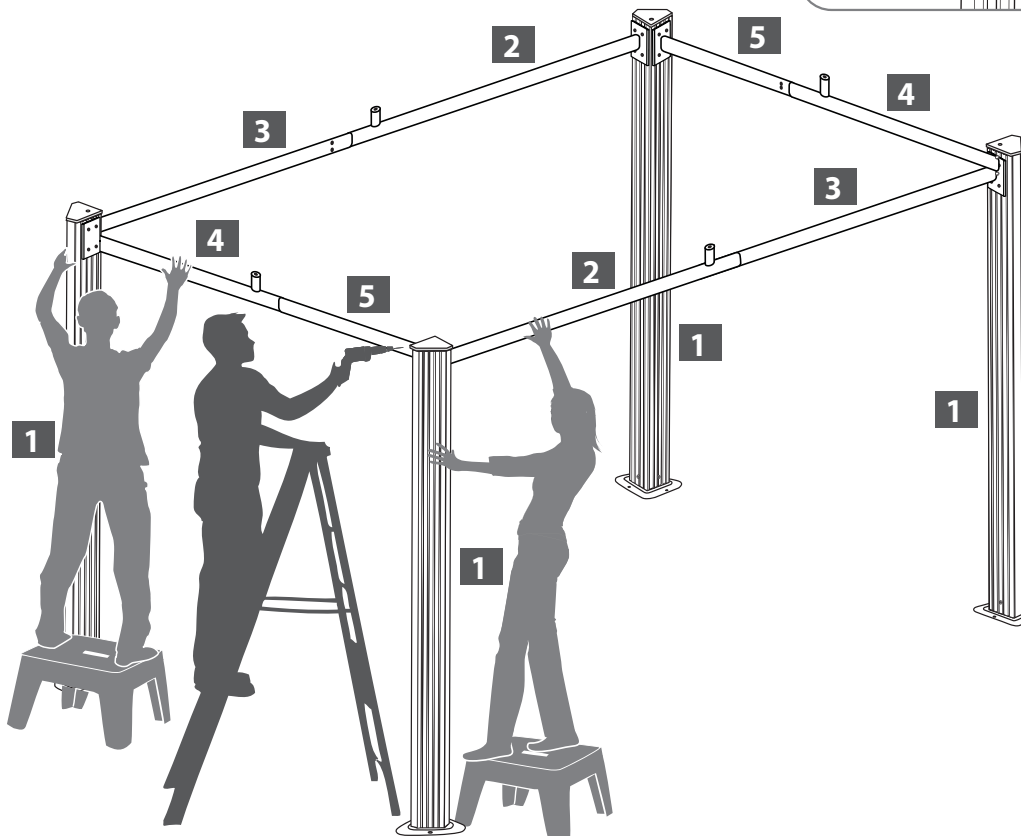


Screw (22)
x 32

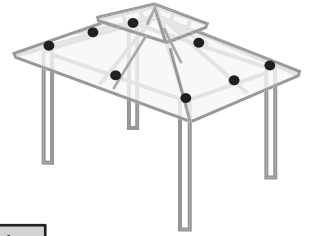


3.B

Attach short roof profile sets (4,5) to corner profiles (1) as shown.
Fasten with bolts (22).



STEP 4 Attaching the Roof Connectors to Roof and Corner Profiles

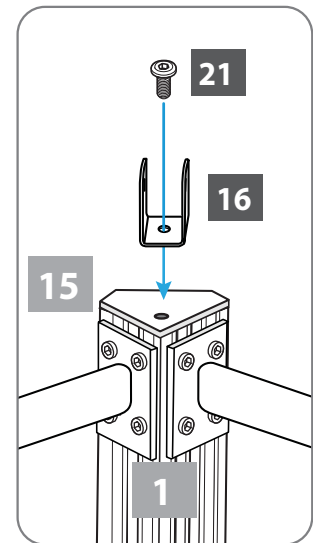
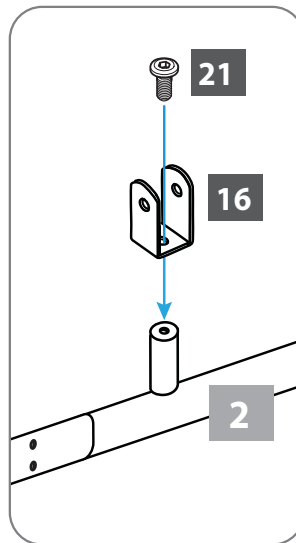
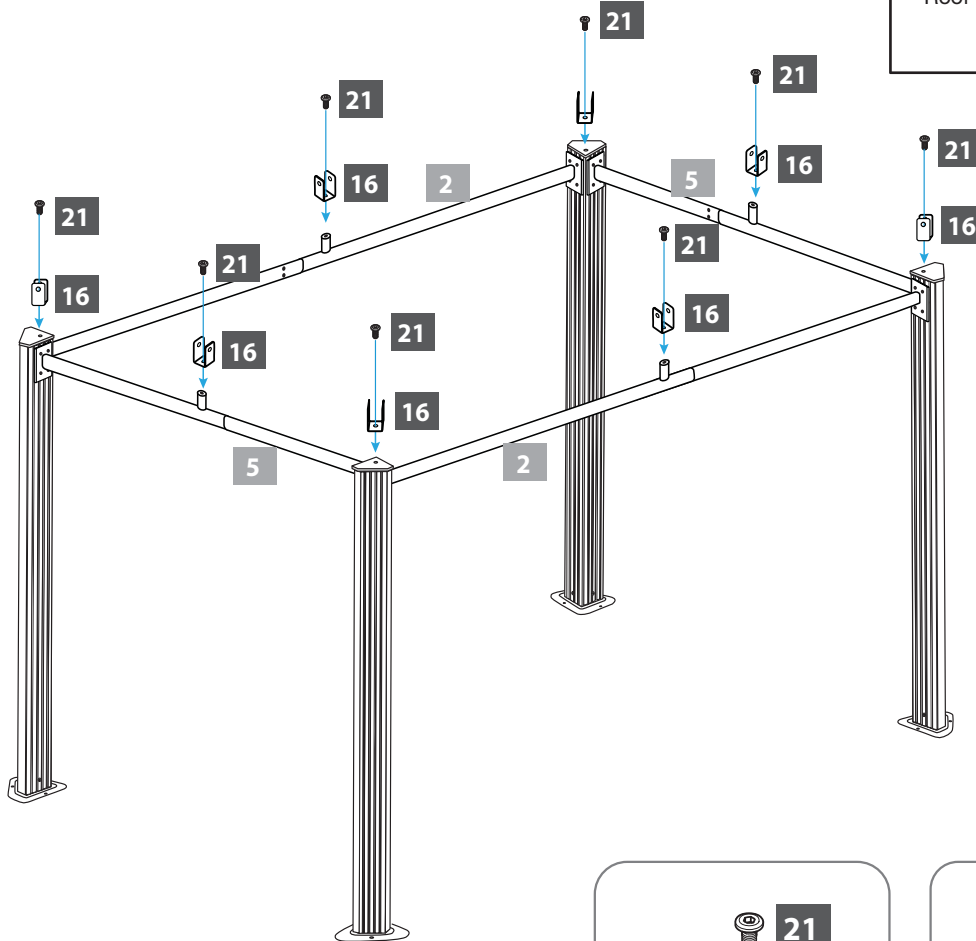


4.A

Attach roof connectors (16) to corner profile covers (15) and roof profiles (2) and (4) as shown. Fasten with bolts (21).

Components

Roof Connector (16) x 8	Bolt (21) x 8



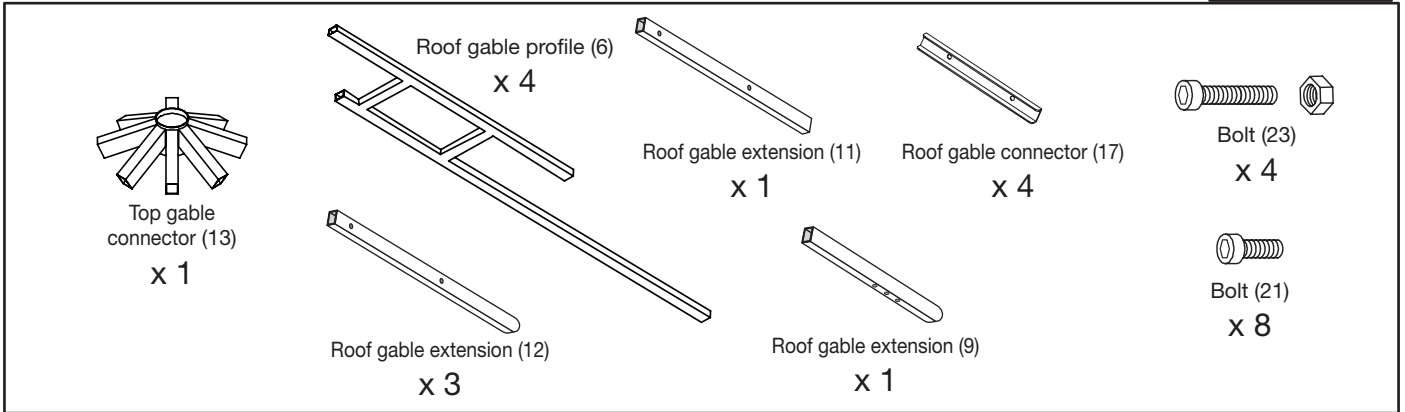
IMPORTANT: After this step you should place the gazebo frame in its desired location. Make sure all corners are squared at 90 degrees.

STEP 5 Attaching the Corner Roof Gables



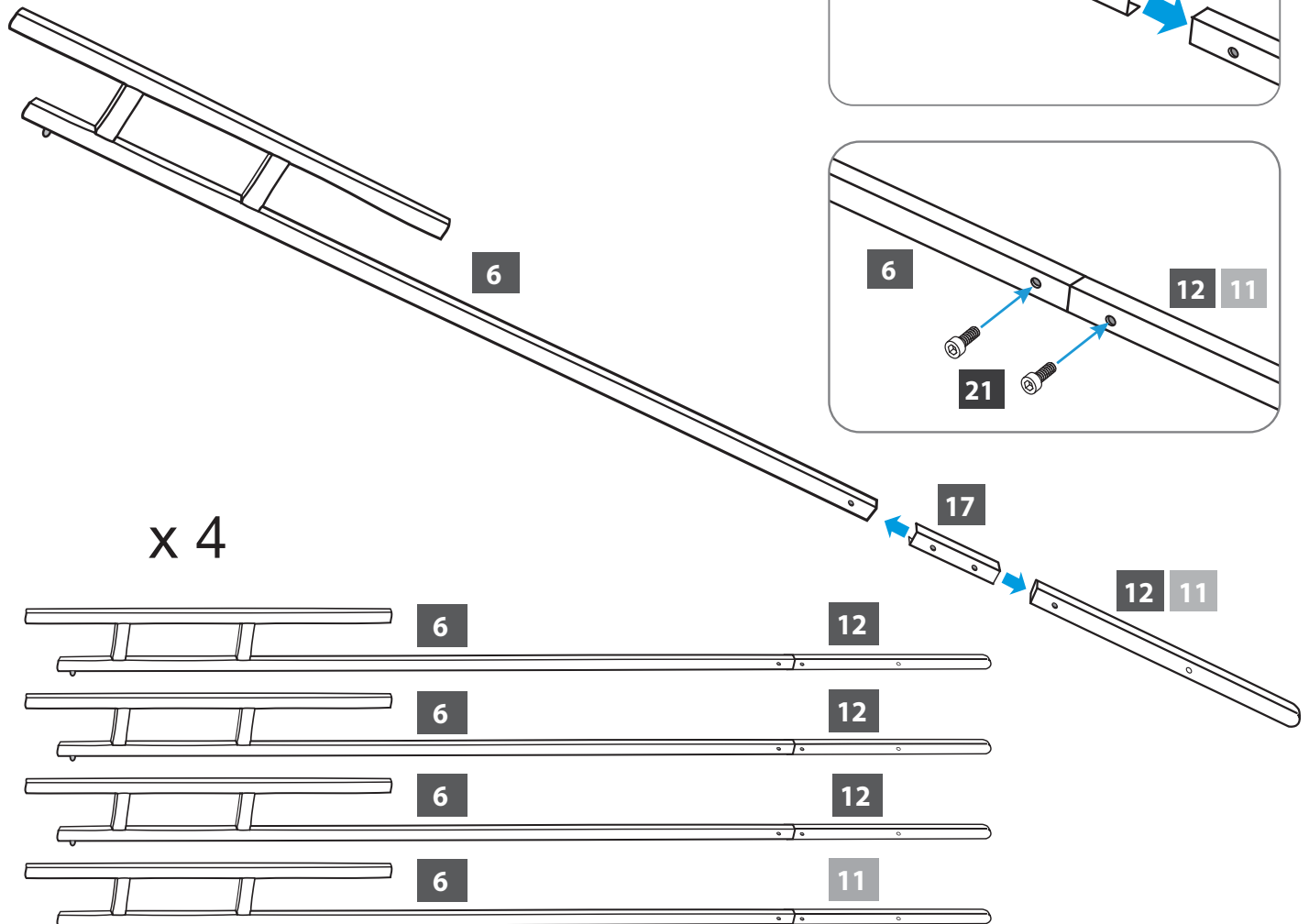
IMPORTANT: The roof gable profiles (6) have small protrusions (spring buttons) on their underside. The end with the protrusions is connected to the top gable connector (13). The roof gable extension (11) has a small protrusion underneath which will snap into one of the holes in roof gable extension (9) while stretching the canopy.

Components



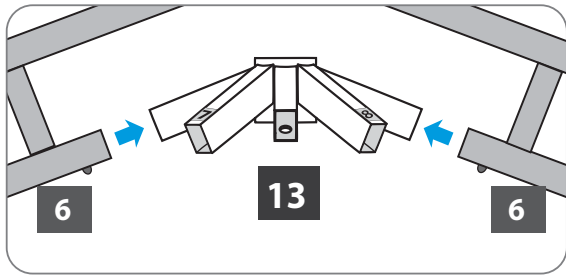
5.A

Insert roof gable connectors (17) into long end of roof gable profiles (6) and into three roof gable extensions (12) and one roof gable extension (11), align drill holes and fasten with bolts (21). Prepare four sets.

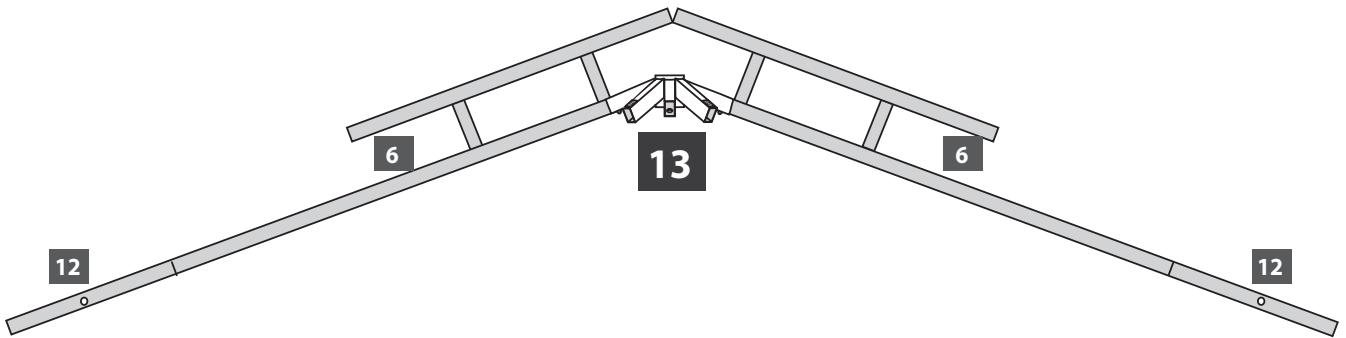


5.B

Connect two roof gable profiles assemblies (6,12) to top gable connector (13) until the small protrusion on their undersides snap into the holes on the underside of top gable connector (13).

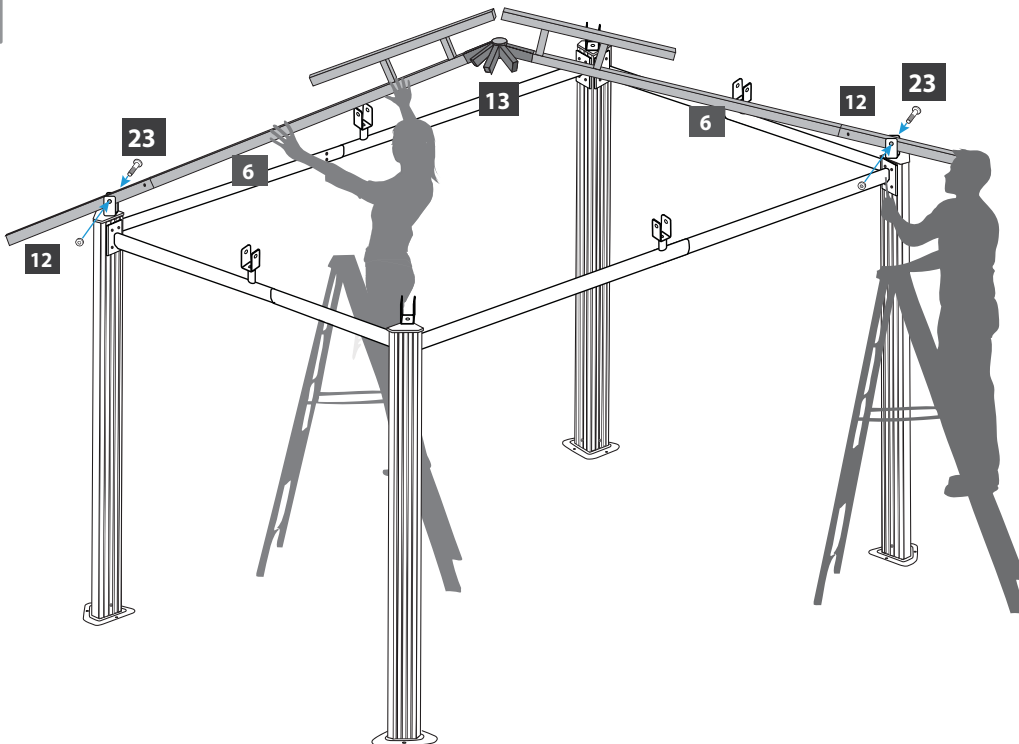
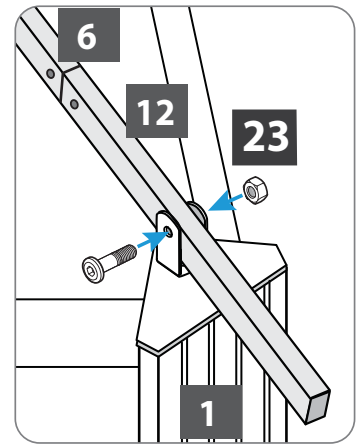


ATTENTION: The tunnels of top gable connector (13) are marked, in order to avoid mistakes when inserting the roof gable profiles.



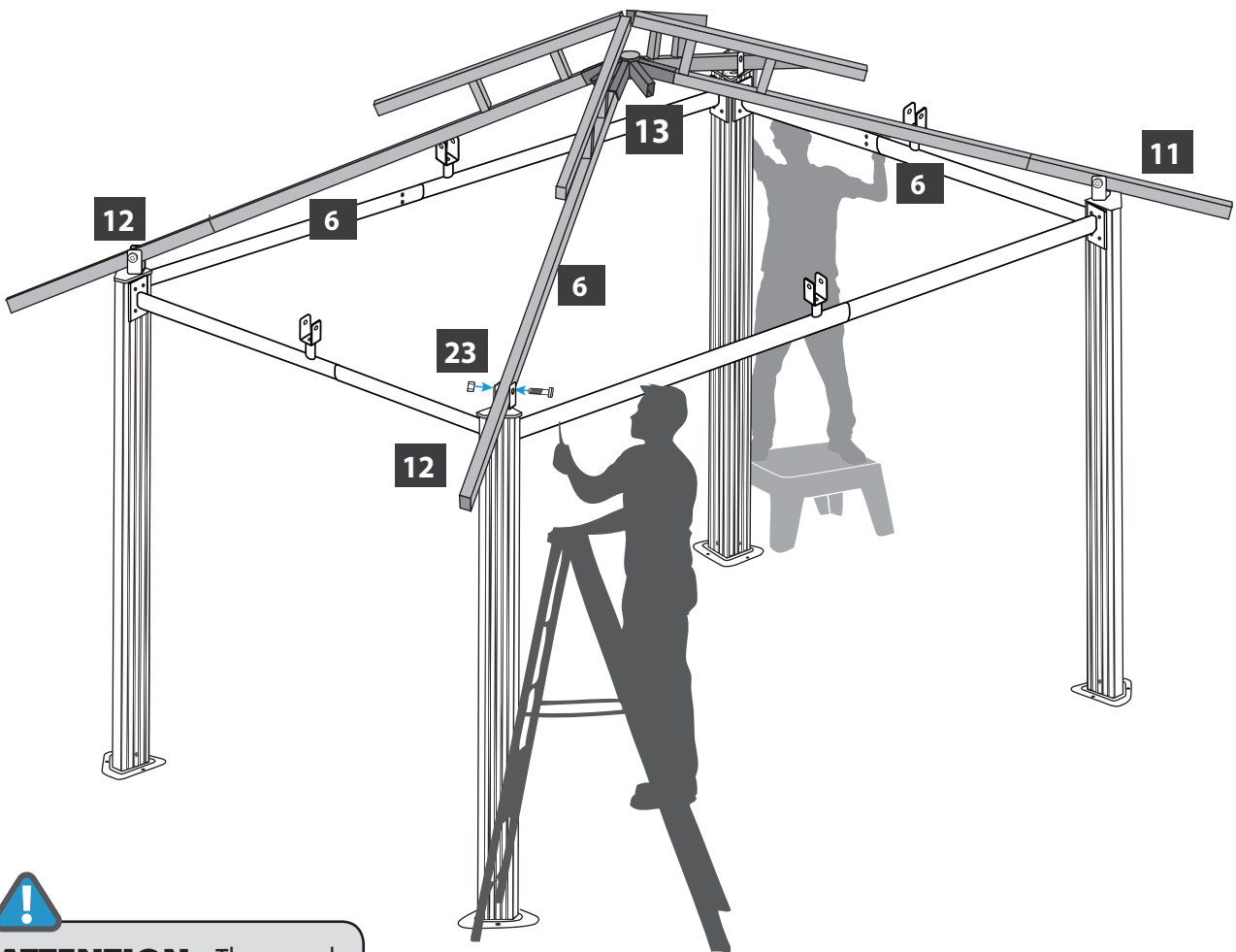
5.C

Using at least two people, connect roof gable profile assembly (13,6,12) to roof connectors (16) on opposite corner profiles (1). Fasten with bolts (23) as shown.

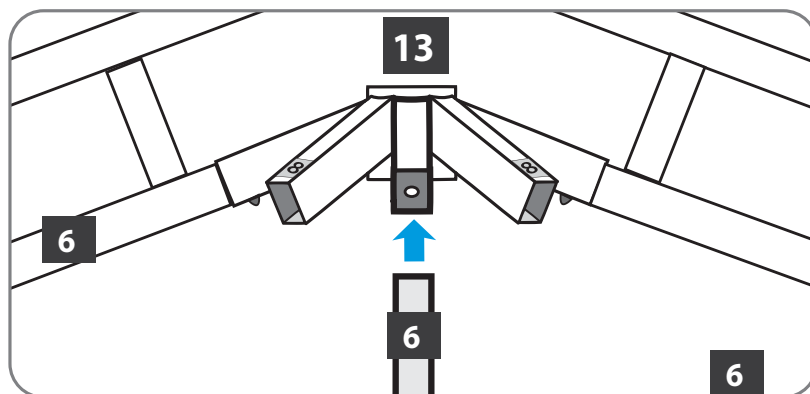


5.D

Using at least two people, slide the other two roof gable assemblies (6, 12 - 6, 11) into tunnels of top gable connector (13) until the small protrusion on their undersides snap into the holes on the underside of top gable connector (13).

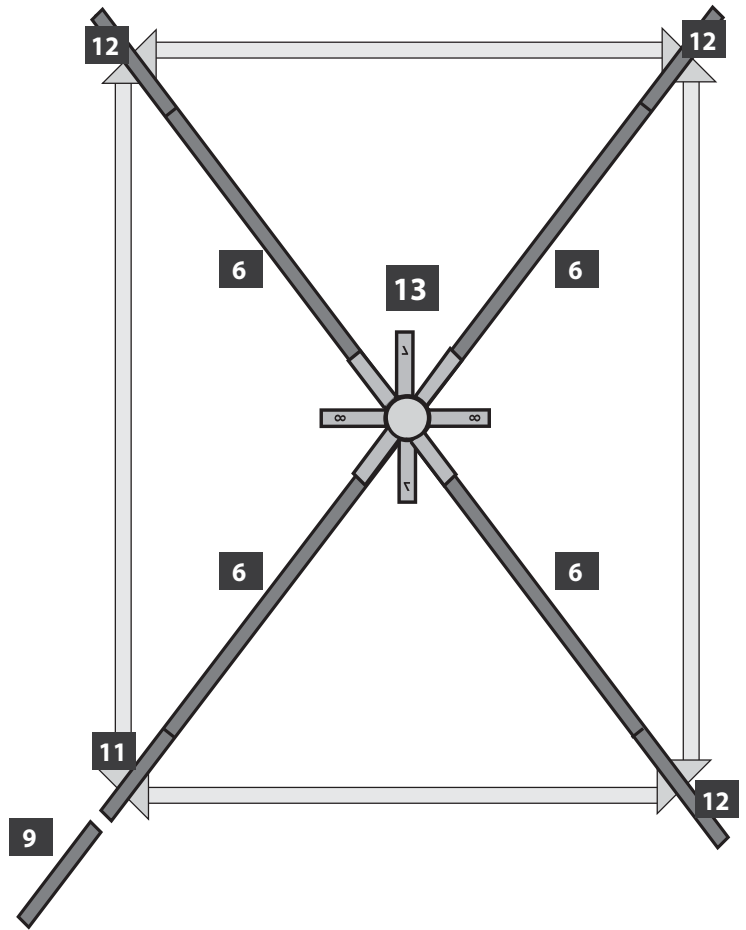
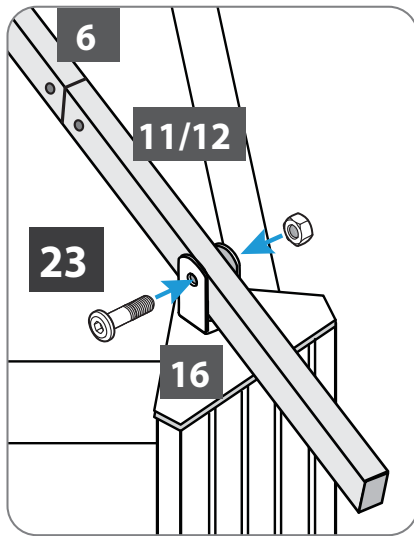


ATTENTION: The tunnels of top gable connector (13) are marked, in order to avoid mistakes when inserting the roof gable profiles.



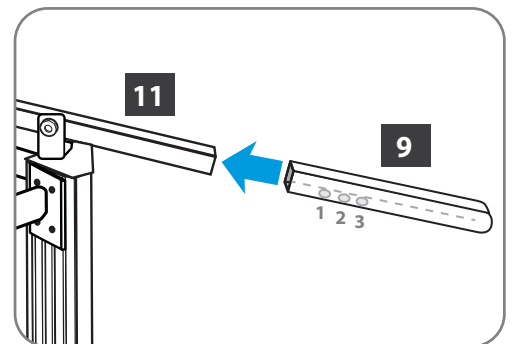
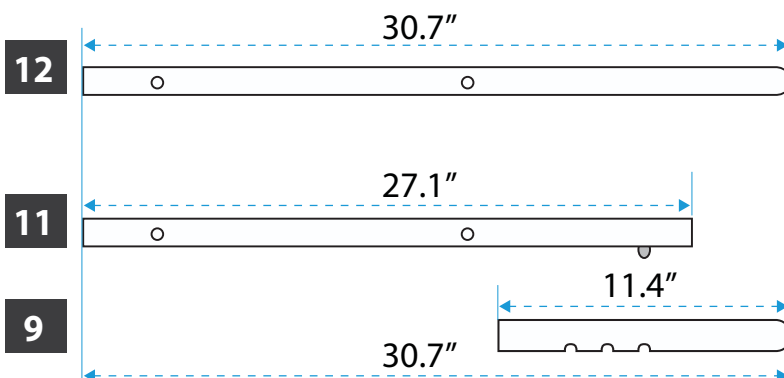
5.E

Connect the two roof gable profiles (6,12) and (6,11) to roof connectors (16) on opposite corner profiles (1). Fasten with bolts (23) as shown.



5.F

Slide roof gable extension (9) over roof gable extension (11) until the small protrusion on its underside snaps into the third hole on the underside of roof gable extension (9).



NOTE: You will need to extend profile (9) outwards to stretch the roof canopy into its final position.

STEP 6 Attaching the Center Roof Gables

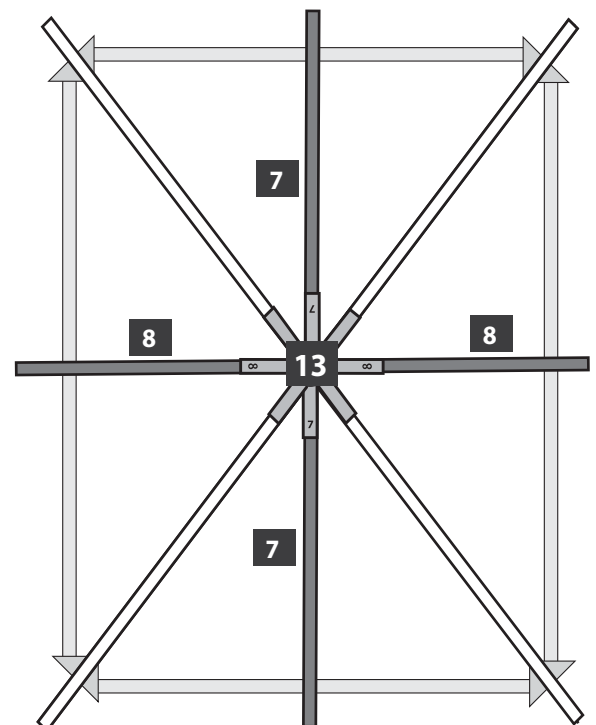
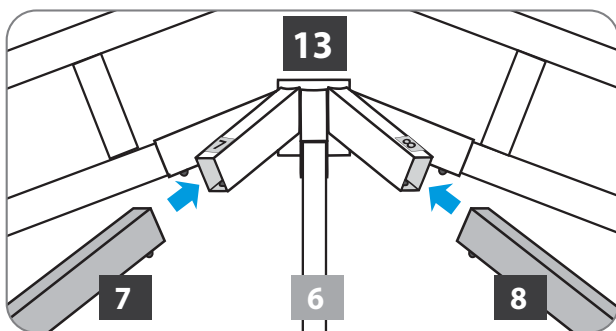
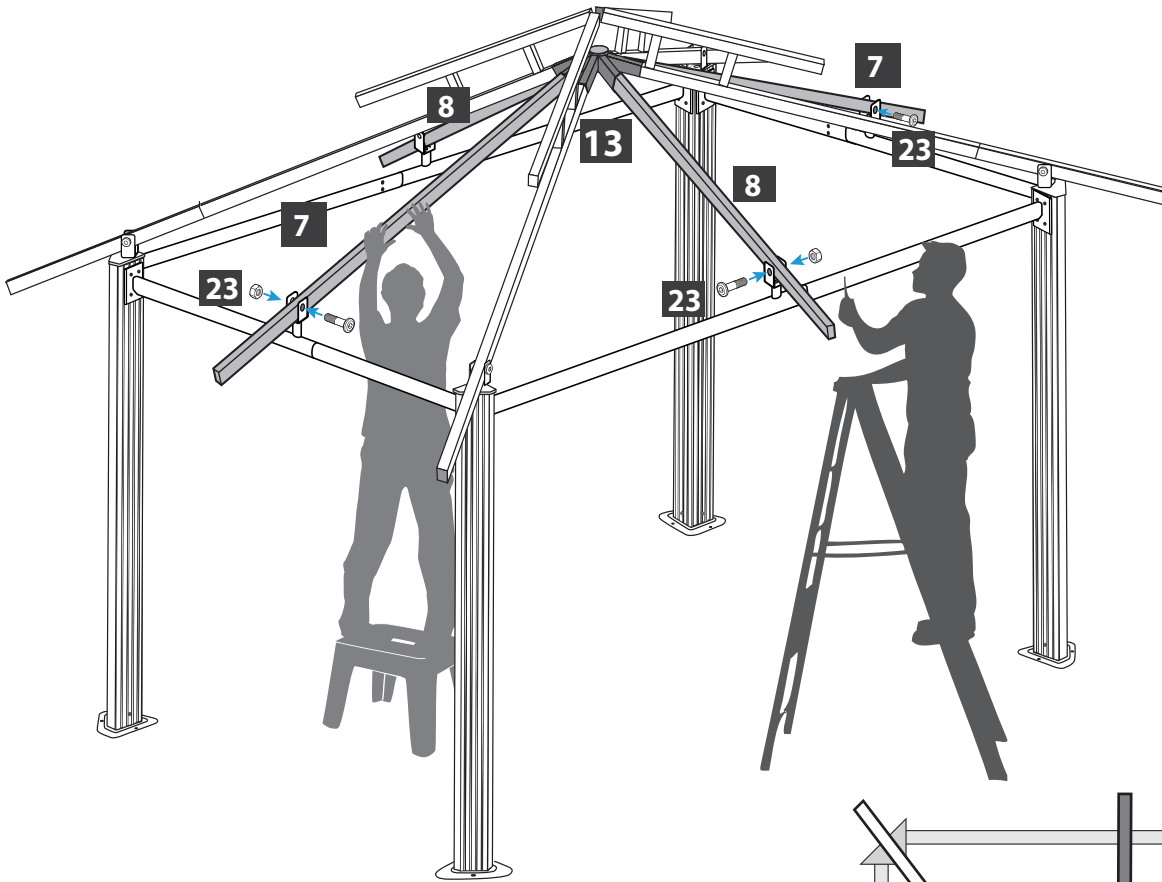


IMPORTANT: The roof gable profiles (7,8) have small protrusions (spring buttons) underneath. The end with the protrusions is connected to the top gable connector (13).

Insert ends with push buttons of roof gable profiles (7) on short side of the gazebo into marked tunnels of top roof connector (13) as shown, until they snap into place.
Repeat with roof gable profiles (8) on long side of the gazebo.

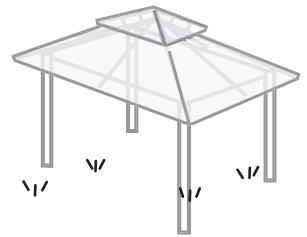
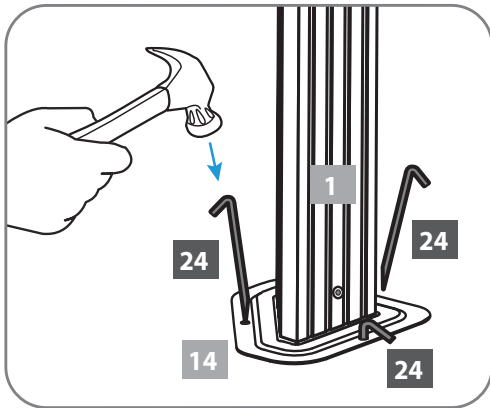
Components

	Roof gable profile (7) x 2		Roof gable profile (8) x 2		Bolt (23) x 4
--	-------------------------------	--	-------------------------------	--	------------------



STEP 7 Securing the Gazebo to the Ground

Fasten the gazebo frame to the ground, using three spikes (24) for each support plate.



Components



Ground spike (24)
x 12

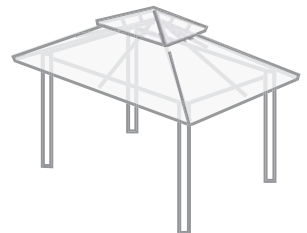


ATTENTION: For special instructions how to secure the gazebo to a **concrete floor** or **wood deck**, please turn to page 17.

STEP 8 Placing the Canopy

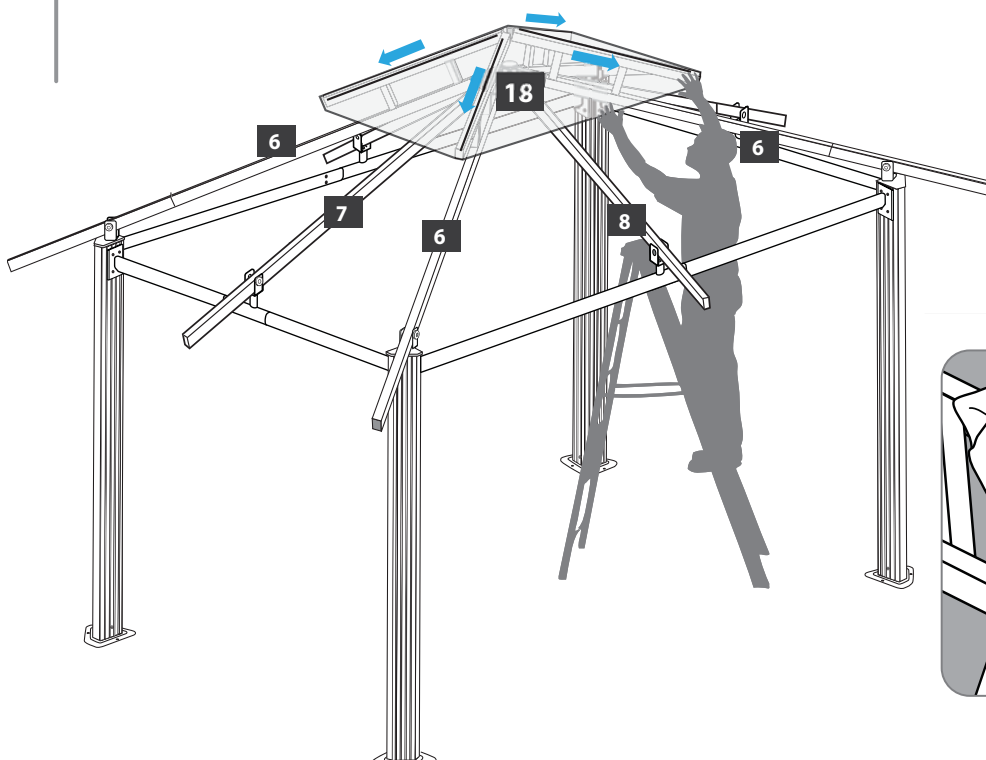


WARNING!!: When inserting the roof profiles into the fabric pockets of the canopy, you **MUST** use both hands holding the large piece of roof fabric in order to stretch it. Don't try to stretch it and pull it just by pulling the pockets! It will tear the pockets as Sunbrella fabric is not elastic by nature.



8.A

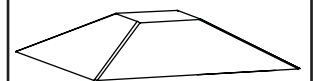
Place the upper fabric canopy (18) carefully over the higher part of roof gable profiles (6), stretch and slide profiles into fabric pockets. Use **TWO** hands to pull the fabric backward until the roof profile slides firmly into the pocket.



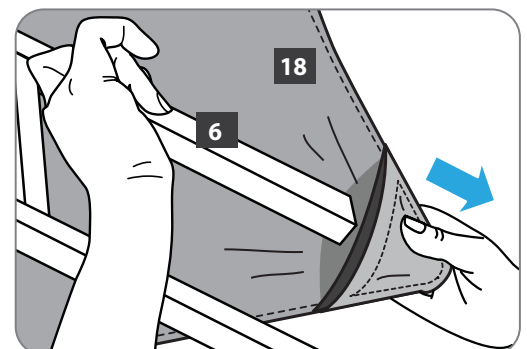
Components



Fabric Canopy (18)
x 1



Fabric Canopy (19)
x 1

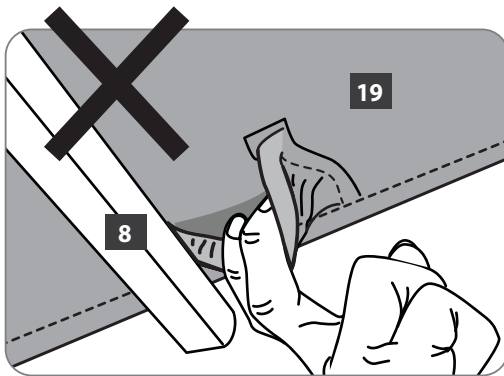
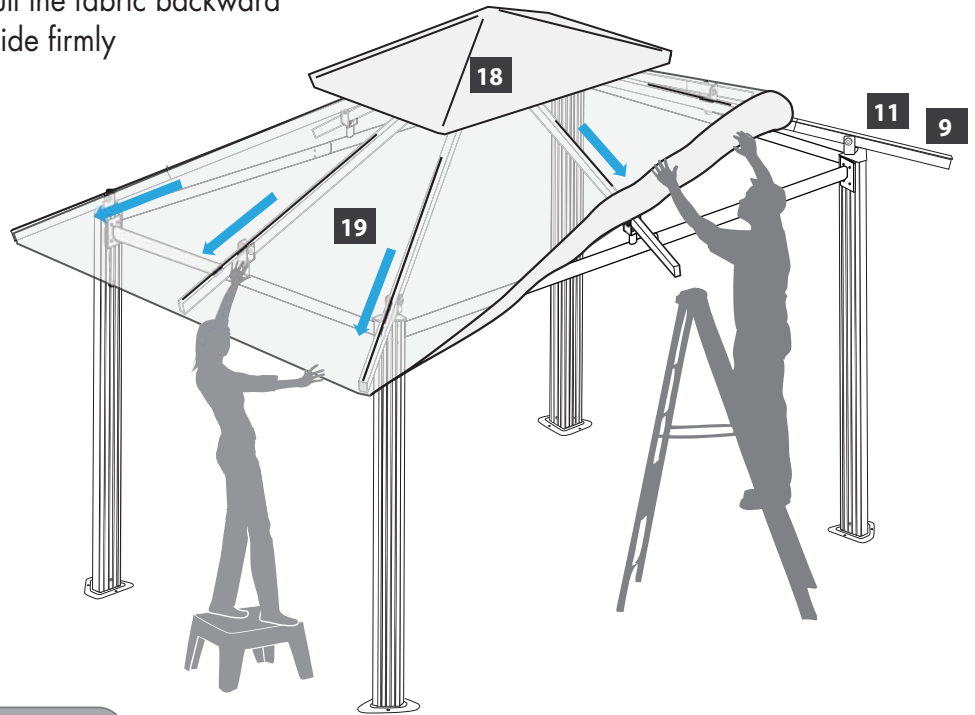
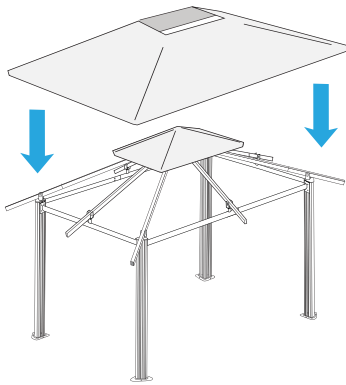


VIEW FROM BELOW

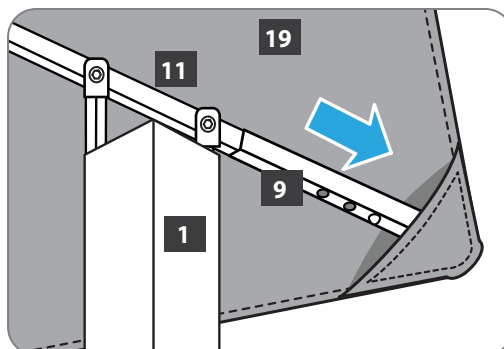
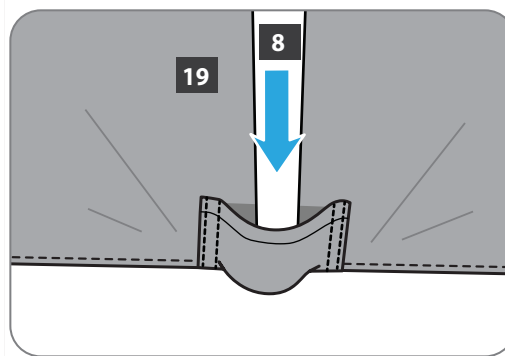
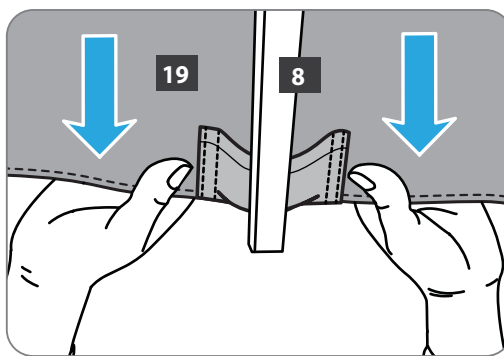
8.B

Using at least two people, place the large canopy (19) carefully over the small canopy (18) and three roof gable profiles (6+12) as shown. Stretch the canopy and slide profiles into fabric pockets in large canopy rim (19).

Use **TWO** hands to pull the fabric backward until the roof profiles slide firmly into the pockets.



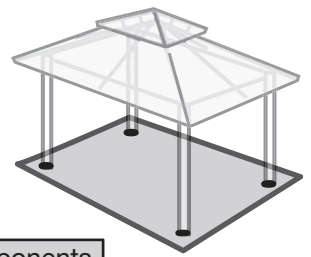
Do **NOT** try to stretch and pull the roof fabric by pulling the pocket only. This will tear the pocket, as Sunbrella fabric is not elastic by nature.



To finish stretching the canopy, press the push button in extension profile (11) and extend extension profile (9) as far as possible to the outside until the push button snaps into place.

VIEWS FROM BELOW

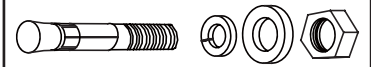
Optional Securing the Gazebo to a Concrete Floor or Wood Deck



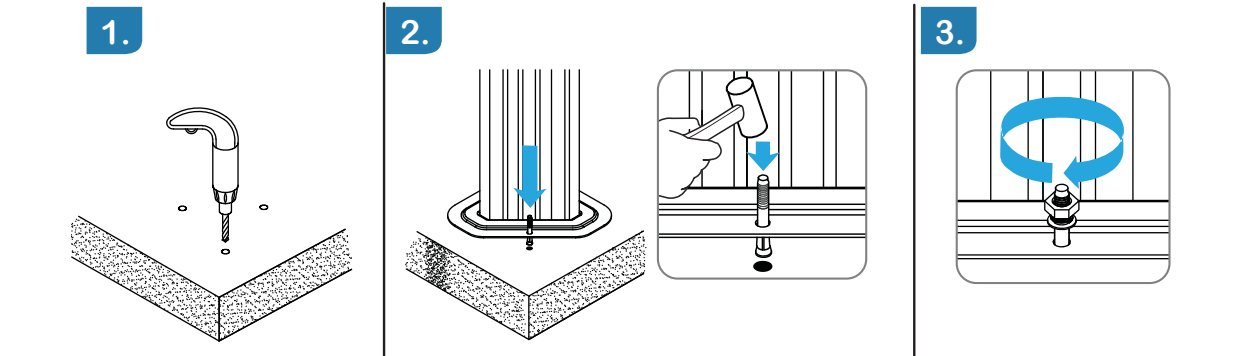
Concrete Floor:

1. Using an electric concrete drill, drill holes into the concrete floor, corresponding to the holes in the support plates.
2. Insert concrete bolts (25) into the holes and hammer into place, using a mallet.
3. Fasten concrete bolts with washers and nuts.

Components



Concrete bolts, washers and nuts (25)
x 12



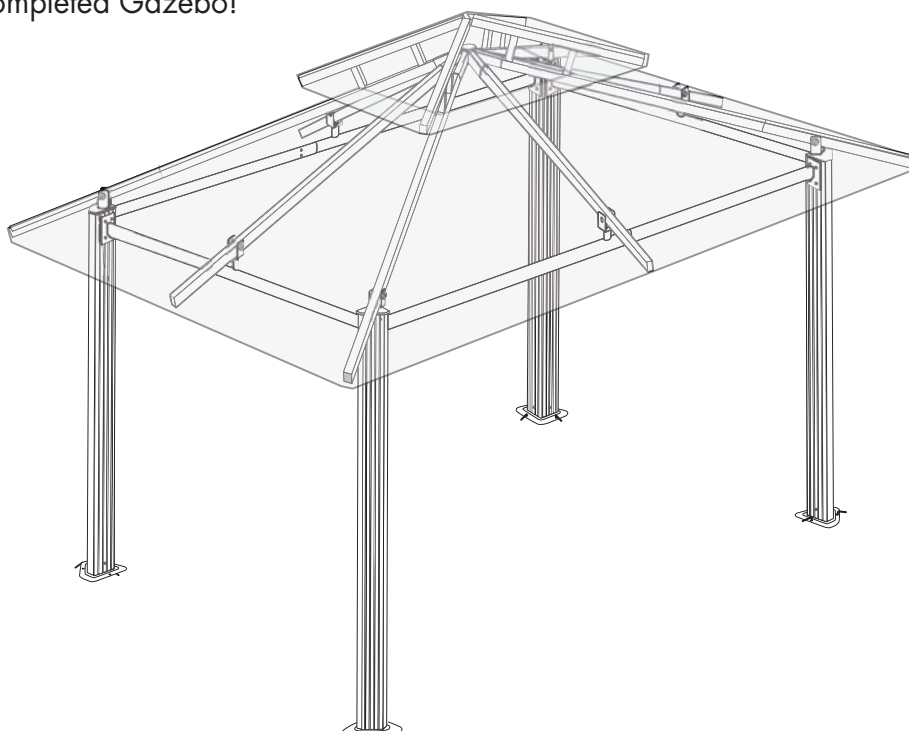
Wood Deck:

1. Using an electric wood drill, drill holes into the wood floor, corresponding to the holes in the support plates.
2. Insert wood screws with washers (not supplied) into the holes and fasten, using an electric screw driver.



Wood Bolts, washers X 12
NOT SUPPLIED
to be purchased by user

Enjoy your completed Gazebo!

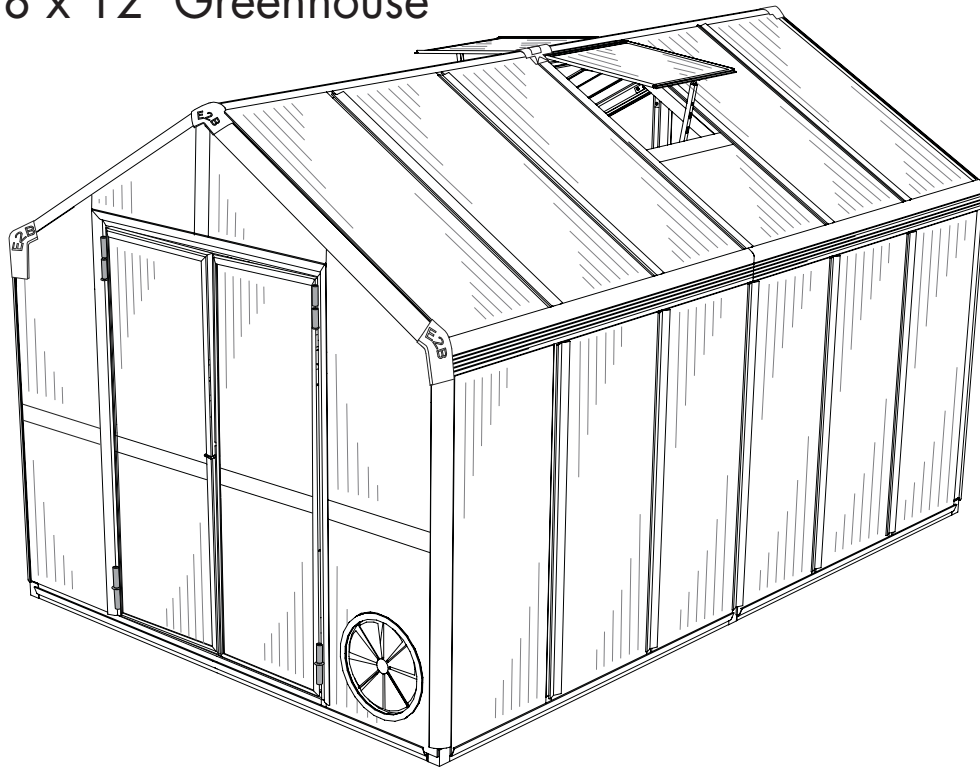


Gazebo GZ584

Assembly Instructions

Visit: <http://www.stcny.com>
for more Lawn and Garden products

EasyGrow 8'x 12' Greenhouse



Systems Trading Corporation
450 7th Avenue Suite 2809, New York, NY 10123
Customer service: (877)782 4482 Email: easygrow@stcaustin.com