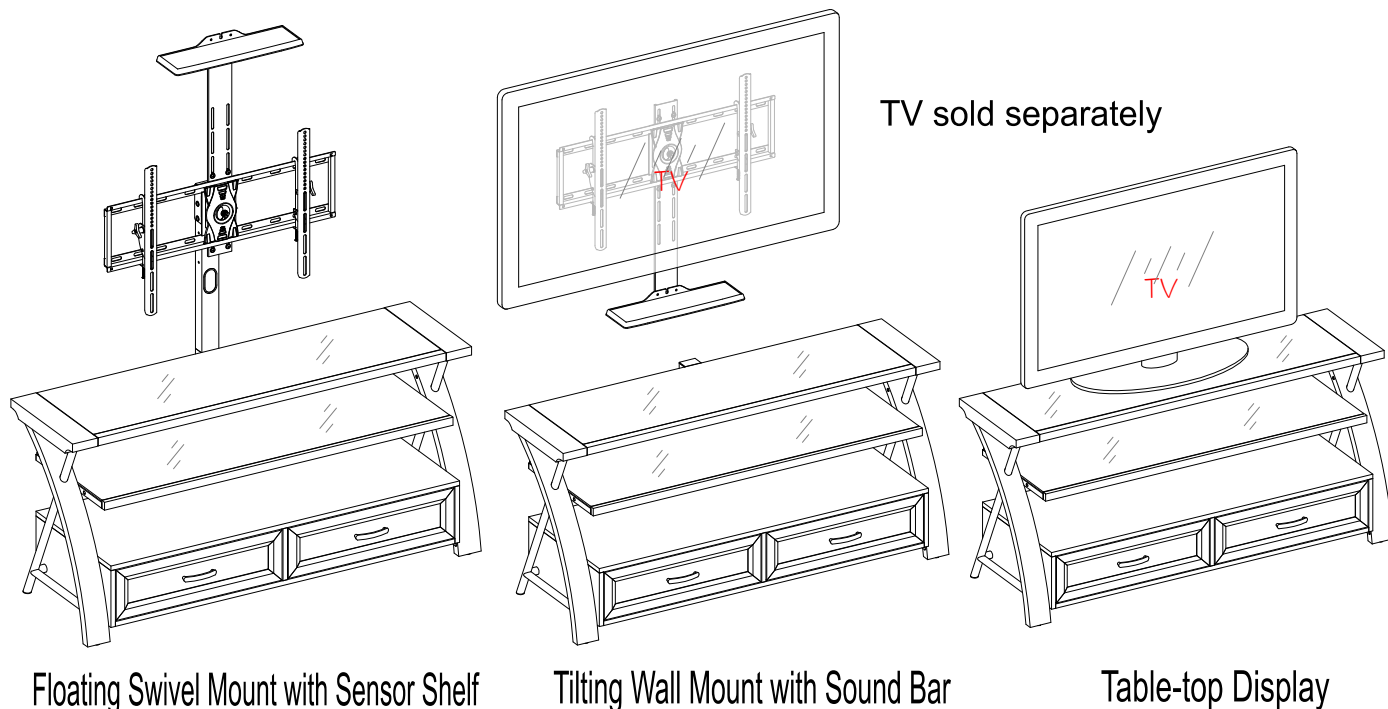


## Ario 3-in-1™ TV Stand Model # ARI3N1CGT

U.S. Patent 8,561,551 and other Patent Pending

This item is designed to be a 3-in-1 configuration. Please choose the option that best suits your needs. DO NOT discard any of the hardware or parts that you will not use on your chosen option. This will allow you to use this TV Console in different configurations at a later date, if desired.



### ADULT ASSEMBLY REQUIRED

If you have any questions regarding assembly or if parts are missing, DO NOT return this item to the store where it was purchased. Please call our toll-free customer service number and have your instructions and parts list ready to provide the model name, part name or factory number:

877-494-2536

ONLINE: [www.baysidefurnishings.com](http://www.baysidefurnishings.com)

EMAIL: [parts@baysidefurnishings.com](mailto:parts@baysidefurnishings.com)



On-line Video Instruction Guides

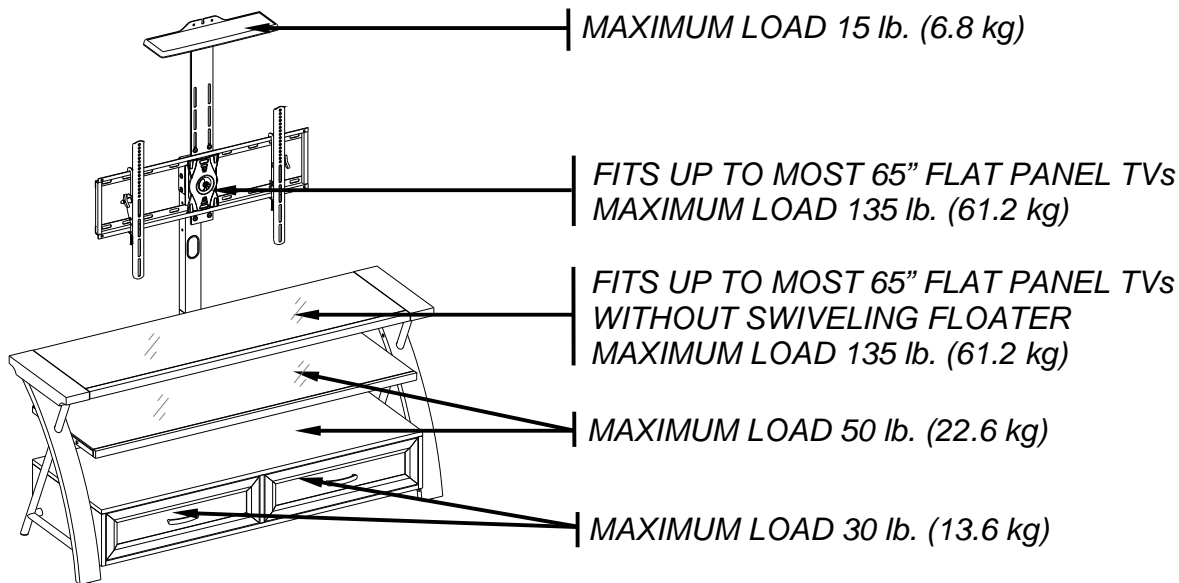
Go to <http://vig.sellpoints.com> to view step-by-step instructional videos for assembling and installing your product. Enter the following product number on the website under Whalen brand.

**ARI3N1CGT**

**THIS INSTRUCTION BOOKLET CONTAINS IMPORTANT SAFETY INFORMATION.  
PLEASE READ AND KEEP FOR FUTURE REFERENCE.**

## MAXIMUM RECOMMENDED WEIGHT LOADS

MANUFACTURER: Bayside Furnishings®  
 CATALOG: Ario 3-in-1™ TV Stand (ARI3N1CGT)  
 DATE OF MANUFACTURE: September 2014  
 MADE IN CHINA



### **WARNING**

THIS UNIT IS NOT INTENDED FOR USE WITH CRT TVS. USE ONLY WITH FLAT PANEL TVS AND AUDIO/VIDEO EQUIPMENT MEETING RECOMMENDED SIZE AND WEIGHT LIMITS. NEVER USE WITH LARGER/HEAVIER THAN RECOMMENDED FLAT PANEL TVS OR EQUIPMENT. TO AVOID INSTABILITY, PLACE FLAT PANEL TV IN THE CENTRE OF THE UNIT; THE BASE OF THE TELEVISION MUST BE ABLE TO REST ON THE SUPPORTING SURFACE OF THE UNIT WITHOUT OVER-HANGING THE EDGES. IMPROPERLY POSITIONED FLAT PANEL TVS, OR FLAT PANEL TVS OR OTHER EQUIPMENT THAT EXCEED RECOMMENDED SIZE AND WEIGHT LIMITS COULD FALL OFF OR BREAK THE UNIT, CAUSING POSSIBLE SERIOUS INJURY.

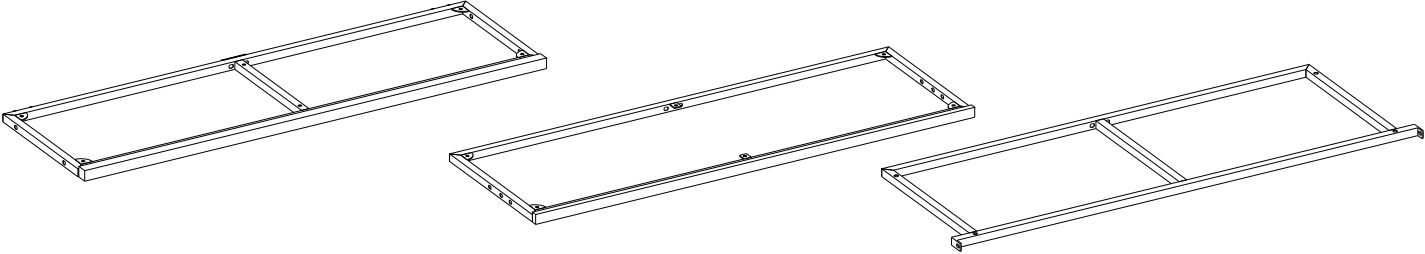
## GENERAL INFORMATION, TIPS and TRICKS

1. Please read the Assembly Instructions prior to assembling this product.
2. Remove all hardware from the box and sort by size.
3. Check to see that all hardware and parts are present BEFORE assembling.
4. Ask a friend to assist you with the assembly of this furniture.
5. To avoid damage, assemble the product on a sturdy, level and protective surface.
6. Please wait until all steps are completed before fully tightening bolts.
7. Make sure all bolts are tightly fastened before the unit is used.

This product is sold with one set of Tipping Restraint Hardware Kit. You must install the Tipping Restraint Hardware between the wall and the TV console to prevent any accidents or damages. When properly installed, this restraint can provide protection against the unexpected tipping of the unit due to small tremors, bumps or climbing. The restraint is only a deterrent and is not a substitute for proper adult supervision. Use of tip-over restraints may only reduce, but not eliminate, the risk of tip-over.

Parts and Hardware List

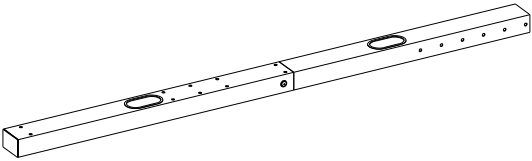
Please read completely through the instructions and verify that all listed parts and hardware are present before beginning assembly.



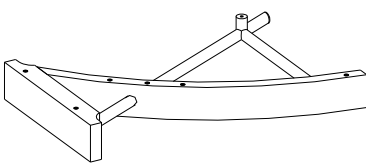
A- Top Shelf Frame (1)

B- Middle Shelf Frame (1)

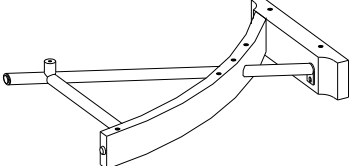
C- Bottom Metal Frame (1)



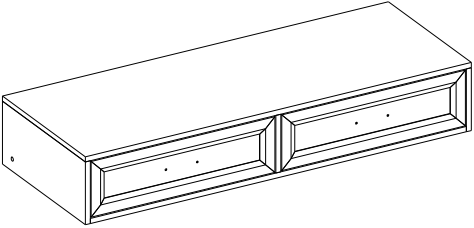
D- Spine Assembly (1)



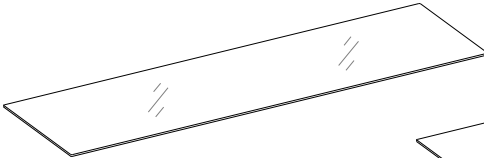
E- Left Leg (1)



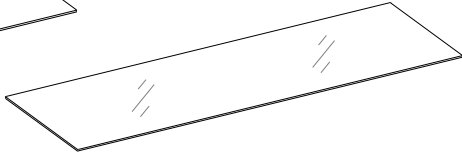
F- Right Leg (1)



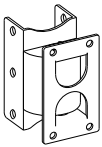
G- Drawer Box (1)



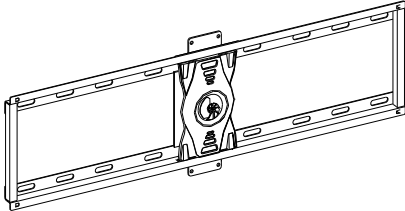
H- Top Glass (1)



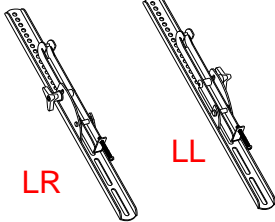
I- Glass Shelf (1)



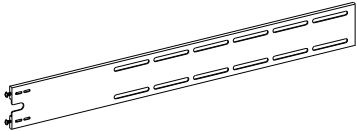
J- Swiveling Bracket (1)



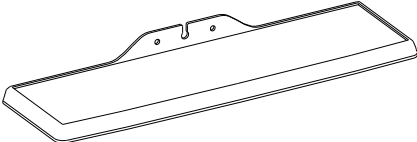
K- Mounting Frame (1)



L- Monitor Bracket (2)



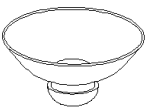
M- SSS Spine (1)



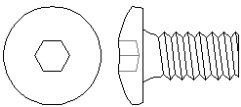
N- Sensor/Sound shelf (1)



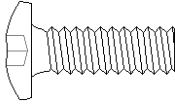
O- Cable Wheel (2)



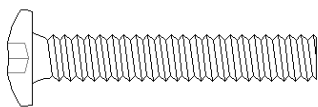
(1) Suction Cup (12+1 extra)



(2) 1/2" Bolt w/Teflon (8+1 extra)



(3) 3/4" Bolt (12+1 extra)

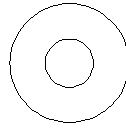


(4) 1-1/2" Bolt (18+1 extra)

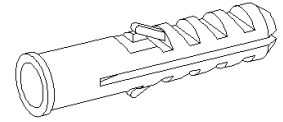
**Parts and Hardware List**



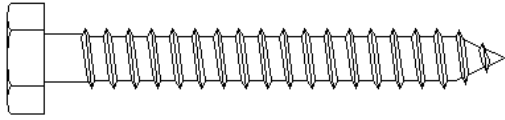
(5) Lock Washer (34+1 extra)



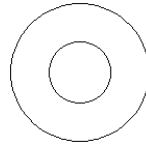
(6) Flat Washer (34+1 extra)



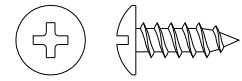
(7) Concrete Anchor (4)



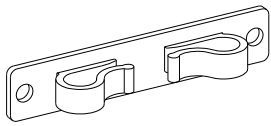
(8) 2-1/2" Lag Bolt (4)



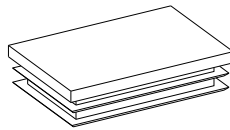
(9) Lag Bolt Washer (4+1 extra)



(10) 1/2" Screw (4+1 extra)



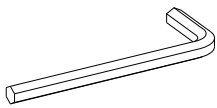
(11) Cord Clip (2)



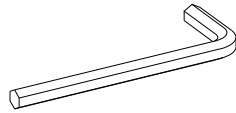
(12) Spine End Cap (1)



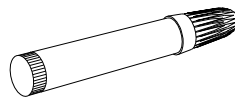
(13) Handle and Bolts (2)



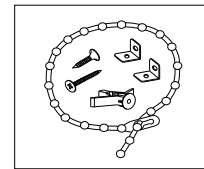
M4 Allen Wrench (2)



3/16" Allen Wrench (1)

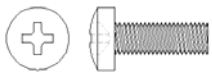


Touch-up Pen (1)



Tipping Restraint Hardware Kit (1)  
(Inside Plastic Bag)

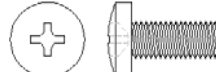
**TV Mounting Kit**



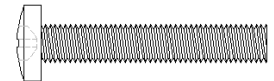
M4 x 12 Bolt (4)



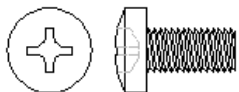
M4 x 30 Bolt (4)



M5 x 12 Bolt (4)



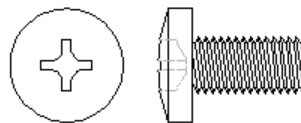
M5 x 30 Bolt (4)



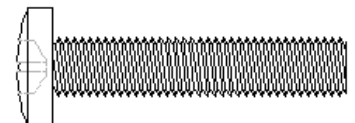
M6 x 12 Bolt (4)



M6 x 35 Bolt (4)



M8 x 16 Bolt (4)



M8 x 40 Bolt (4)



M4 Lock Washer (4)



M5 Lock Washer (4)



M6 Lock Washer (4)



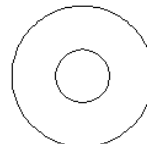
M8 Lock Washer (4)



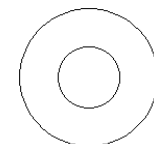
Large Spacer (4)



Small Spacer (4)



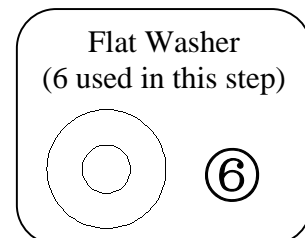
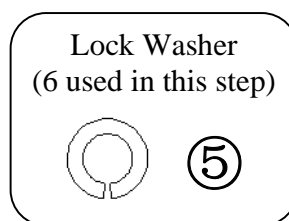
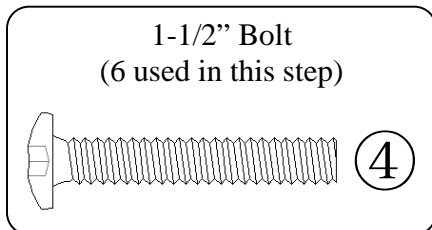
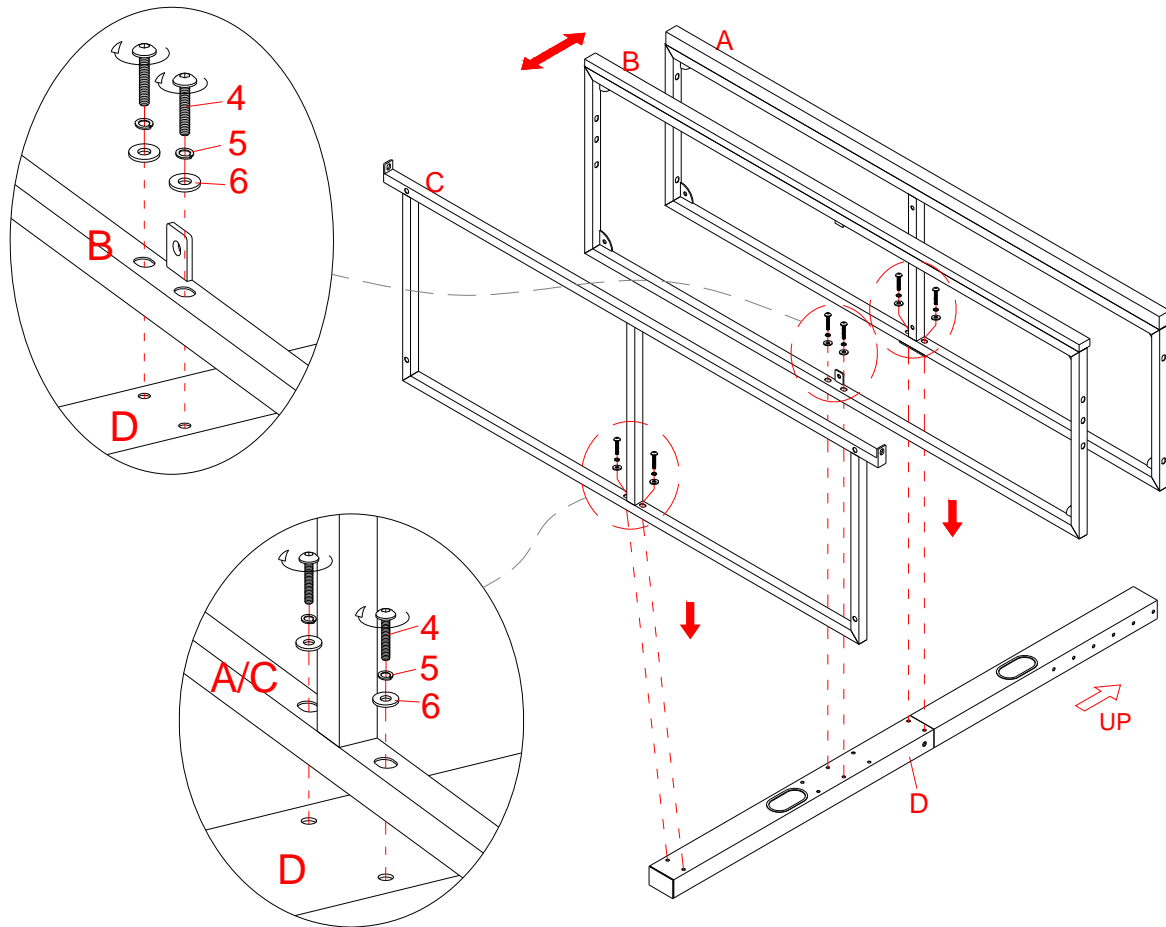
M4/M5 Flat Washer (8)



M6/M8 Flat Washer (4)

Tools required: Allen wrench (provided) and Phillips screwdriver (not provided).

## Assembly Instructions

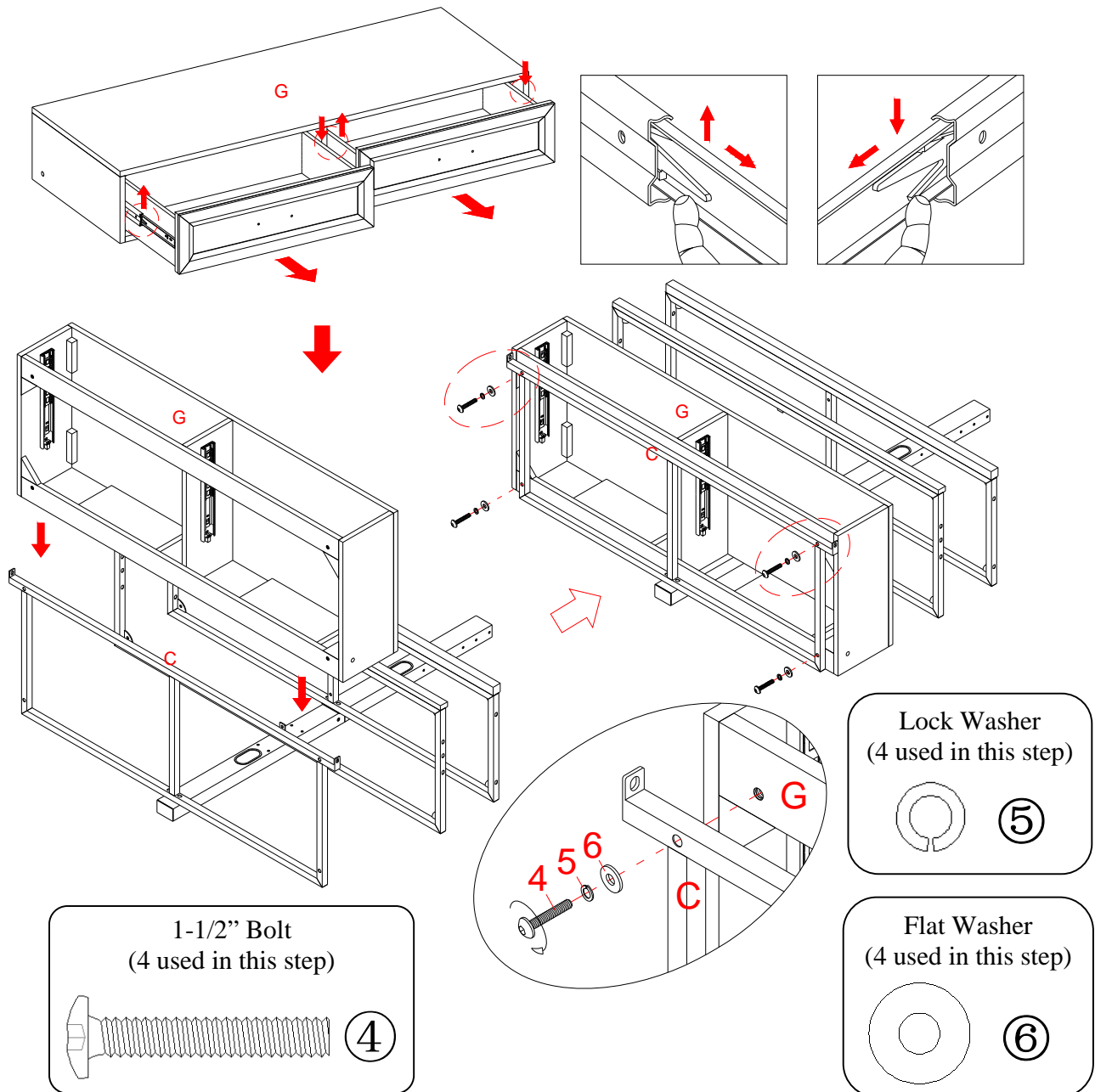


**NOTE:** Please do not fully tighten all bolts until you finish assembling all parts. Once assembled, go back and fully tighten all bolts. This will make the assembly easier.

1. Unpack the unit and confirm that you have all the hardware and required parts.
2. Locate the Spine Assembly (D) and set back face down on a scratch free surface, as shown.
3. Align and attach 3 Shelf Frames (A, B and C) to the Spine Assembly (D) respectively, as shown. Insert the 1-1/2" Bolts (4) with Lock Washers (5) and Flat Washers (6) through the back rails of shelf frames and screw into the Spine (D). Make sure that the inside corner plates on the shelf frames will face up when the unit is turned upright.

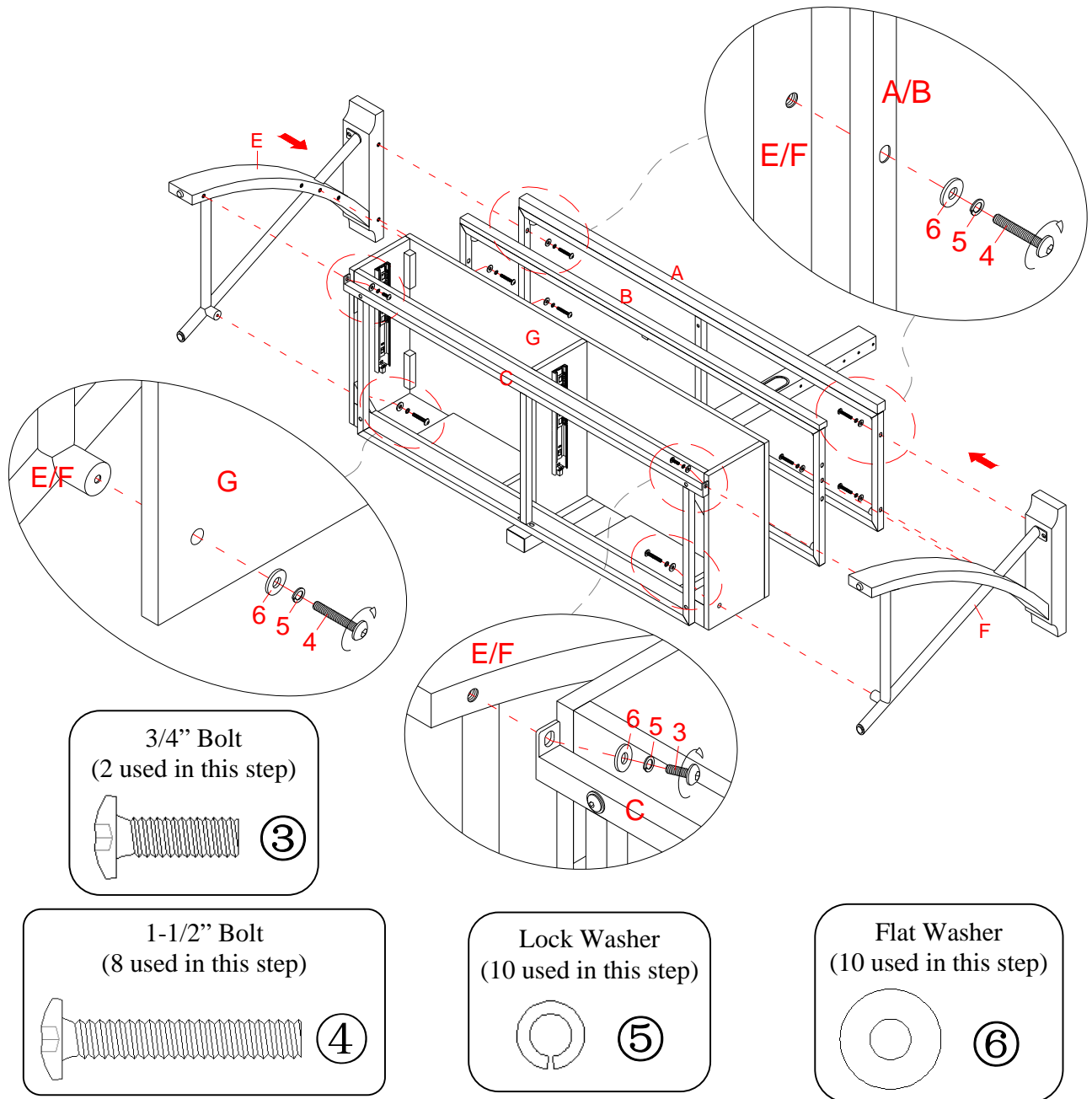
**NOTE:** The Middle Shelf Frame (B) is adjustable. Choose the upper hole sets to increase the bottom space.

## Assembly Instructions



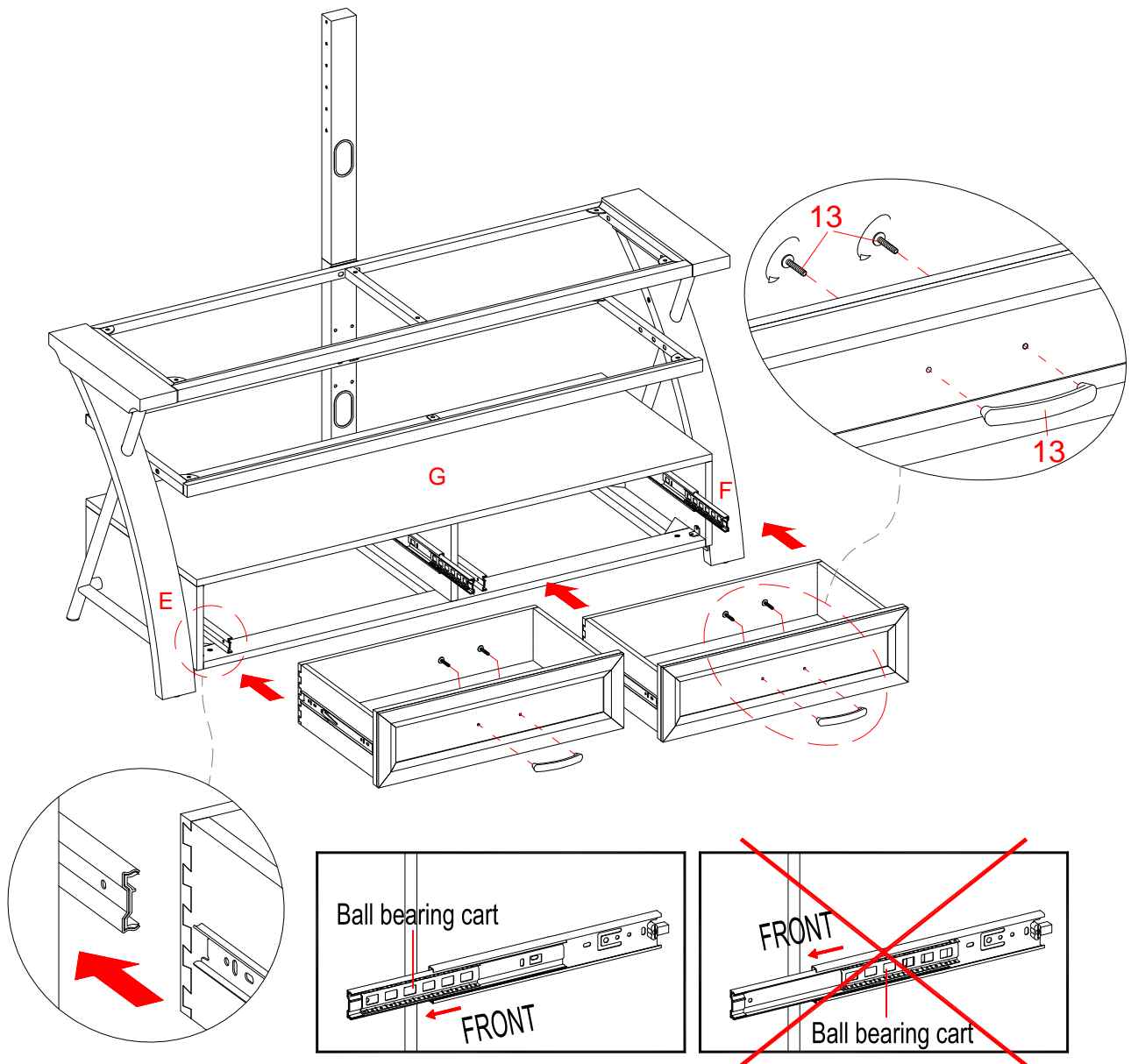
4. To remove the drawers from the Drawer Box (G), pull the drawers all the way out, then simultaneously push the plastic release lever of the ball bearing slide up on one side and down on the other side, and then pull the drawers completely out. **NOTE:** You must remove the drawers to attach the drawer box.
  
5. Set the Drawer Box (G) onto the Spine (D) with the drawer housing facing up and attach it to the Bottom Metal Frame (C). Insert four 1-1/2" Bolts (4) with the Washers (5 and 6) through the pre-drilled holes on the Bottom Metal Frame (C) and screw into the threaded inserts underneath the Drawer Box (G). **DO NOT** tighten the bolts in this step.

## Assembly Instructions



7. Align and attach Left Leg (E) to the Upper Shelf Frames (A and B) by inserting three 1-1/2" Bolts (4) with the Washers (5 and 6) from inside the Shelf Frames through the drilled holes on side rails and screw into the threaded inserts on the Leg. **DO NOT** tighten the bolts.
8. Proceed to insert one 1-1/2" Bolt (4) with the Washers (5 and 6) through the drilled hole on the left side panel of Drawer Box (G) and screw into the threaded socket of the Left Leg (E). Secure the Left Leg (E) to the Bottom Metal Frame (C) by using one 3/4" Bolt (3) with the Washers (5 and 6) through the end bracket and screw into place. As shown.
9. Repeat last two steps with the Right Leg (F).

## Assembly Instructions

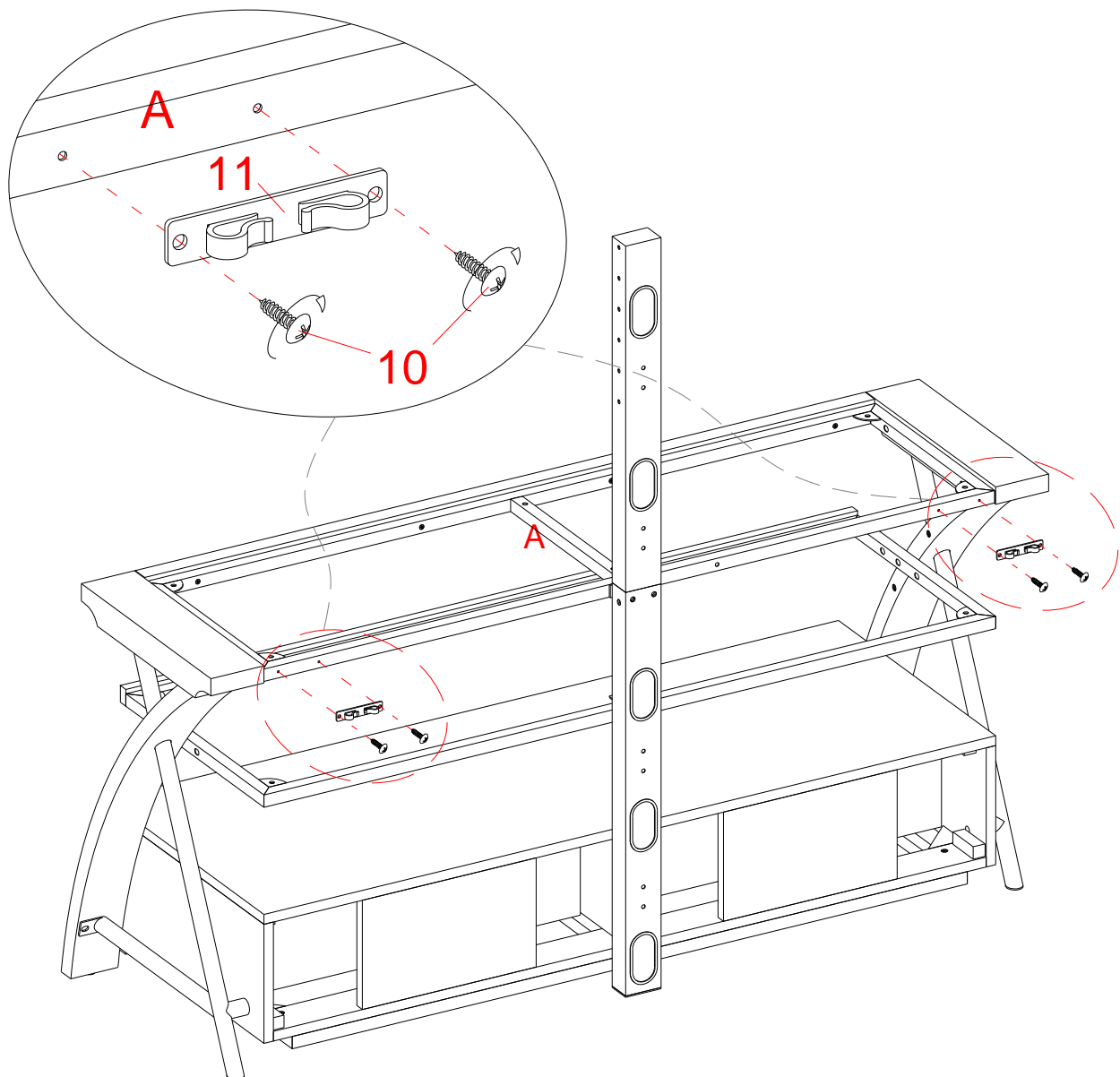


10. Go back and tighten all bolts with the provided M4 Allen Wrench. Stand the unit upright.
11. Remove the bolts in Handles (13), and then use the bolts to attach the Handles to the outside of the utility drawers.
12. Insert the removed drawers into the Drawer Box (G). To place the drawer back, simply push the ball bearing cart all the way to the end of the slides (in both sides), and then align the slide runners on the drawer with the slide tracks on the unit and push it carefully inside until it stops.

**NOTE:** If the drawer does not go in smoothly, please take it out and repeat the step.



## Assembly Instructions

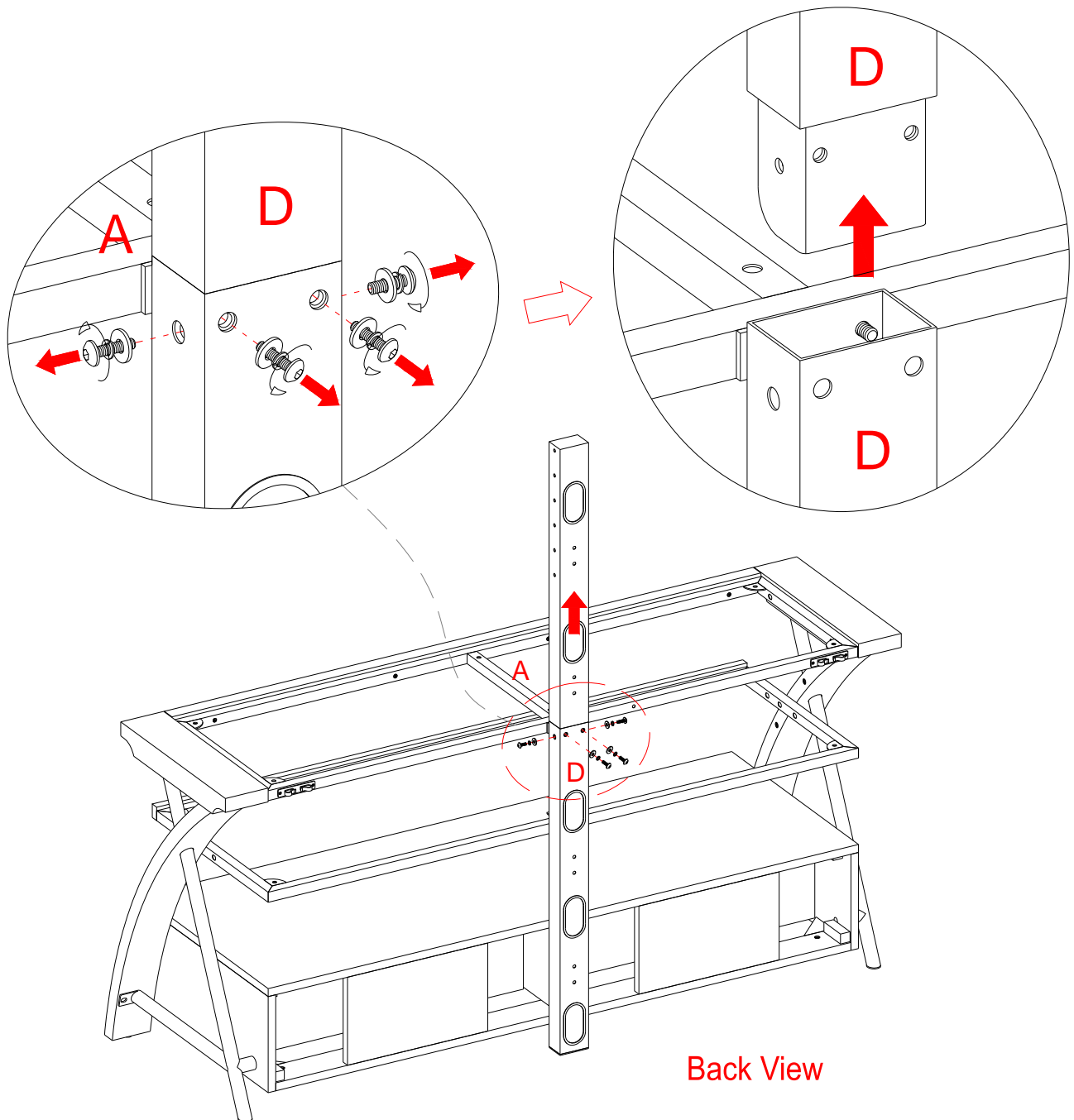


13. To organize your cables and cords, fasten two Cord Clips (11) to the back rail of the Top Shelf Frame (A) using the provided 1/2" Screws (10). Tighten the screws with a Phillips screwdriver.

**STOP**

**If you choose Table-top Console configuration, continue to the next step. If mounting TV with the Floating Swivel Mount, skip ahead to PAGE 14.**

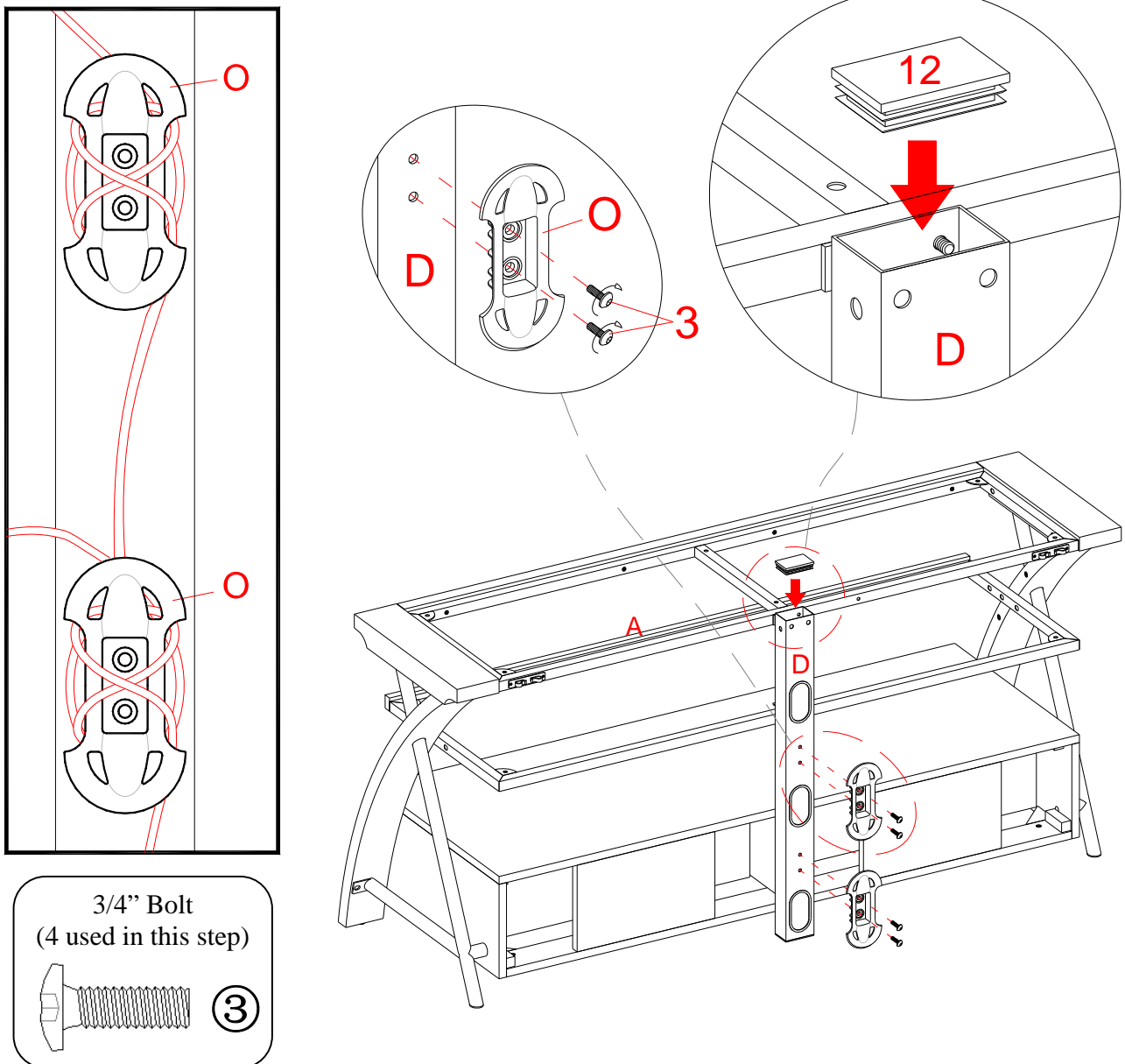
## Assembly Instructions for Table-top Console



14. At the back side of the Spine Assembly (D), unscrew the four bolts and the washers to remove the Upper Spine. So that you can use the table top console configuration.

**NOTE:** Keep the Upper Spine and the fasteners at a proper place in case you will use the floating swivel mount.

## Assembly Instructions for Table-top Console

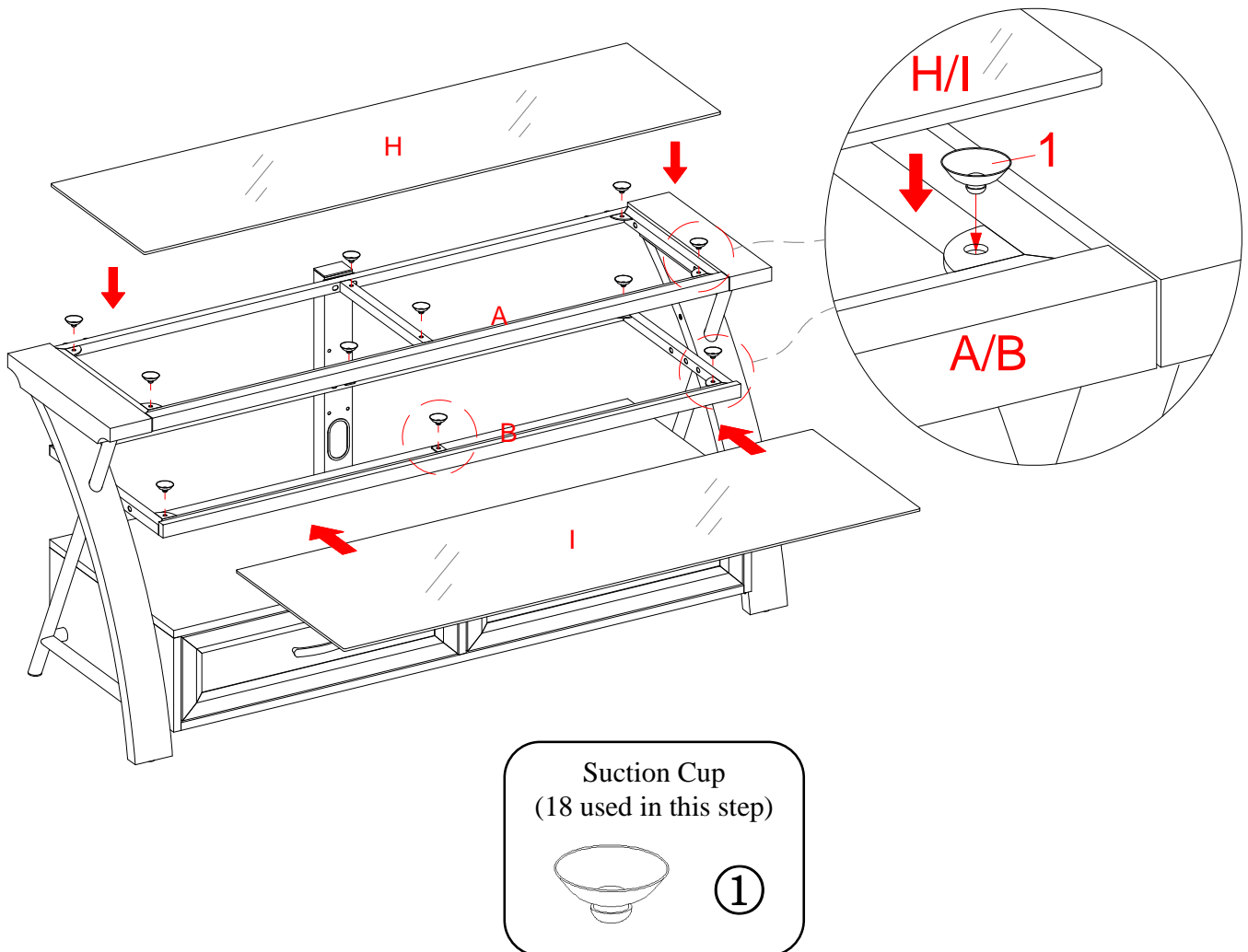


15. Plug the Spine End Cap (12) all the way into the top of the Lower Spine (D).

16. Attach 2 Cable Wheels (O) to the backside of the Lower Spine (D) with the 3/4" Bolts (3). Tighten the bolts with the provided M4 Allen Wrench.

**NOTE:** You can use the Cable Wheels to help keep your entertainment center's cables and cords organized.

## Assembly Instructions for Table-top Console



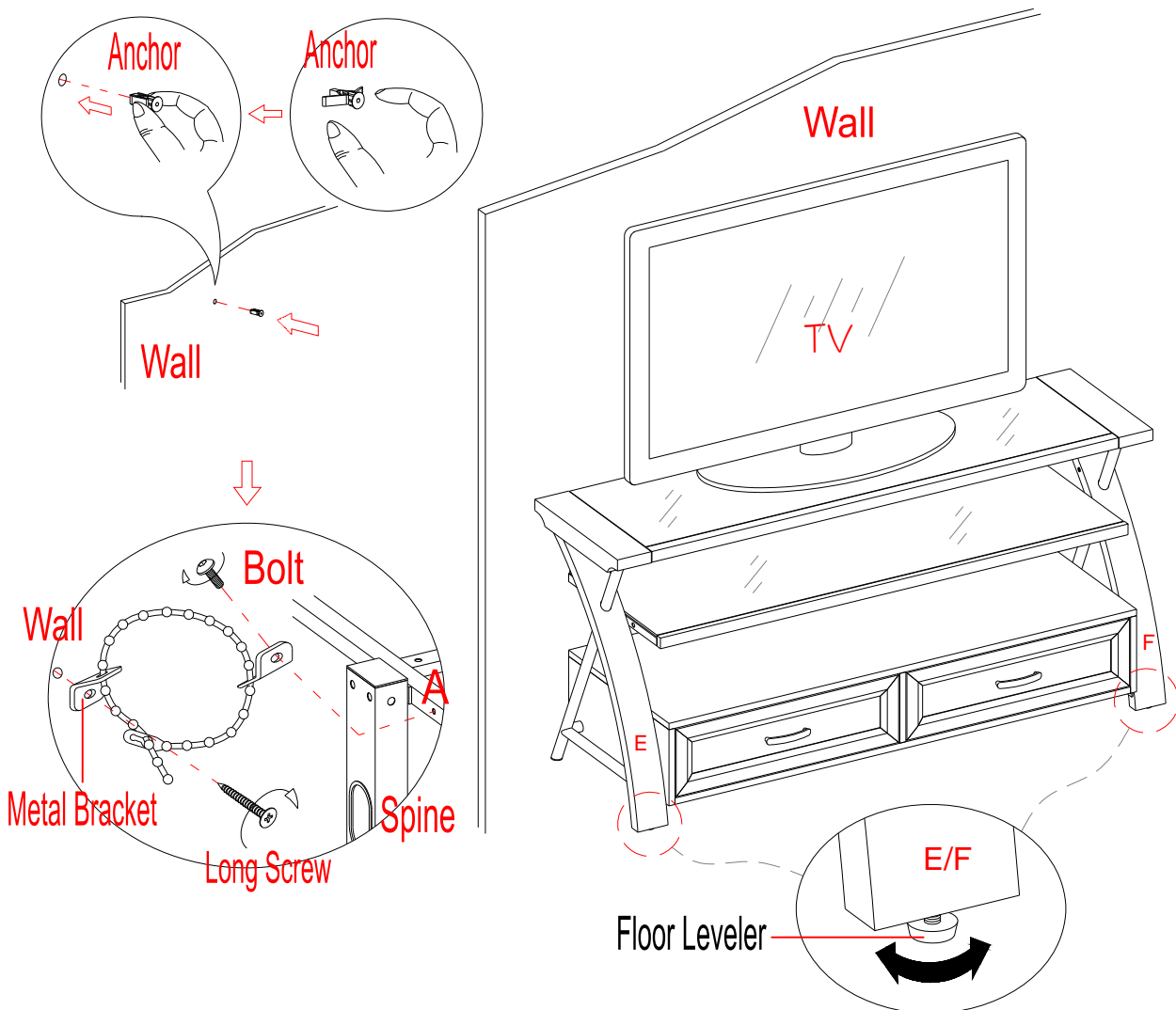
17. Put the Suction Cups (1) firmly into top holes and inside corner plates on the Upper Shelf Frames (A and B), as shown.

**TIP:** If a Suction Cup resists insertion, try pressing down on the middle of the cup with the Allen Wrench while twisting it clockwise into the hole.

18. Place the Top Glass (H) and Glass Shelf (I), with the black side of glass down, onto the Suction Cups (1) on the Upper Shelf Frames (A and B) respectively, as shown above. Make sure that the glass shelf is properly centered. Push each glass shelf all the way back against the Spine. Also, be sure to press down evenly and firmly each glass shelf onto the Suction Cups to make sure they securely rest onto the Suction Cups.

**NOTE:** If a glass shelf is scratched, you can minimize the damage by using a BLACK marker and filling in scratched area from underneath.

## Assembly Instructions for Table-top Console



**Tools required:** Allen wrench (provided), Phillips screwdriver, Mallet, Power Drill, and 3/8" Drill Bit.

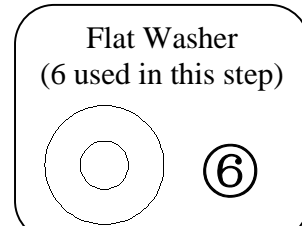
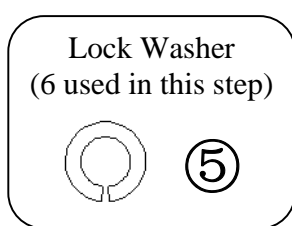
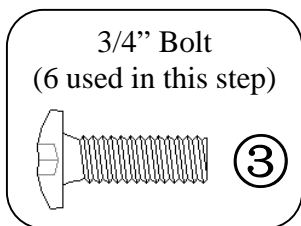
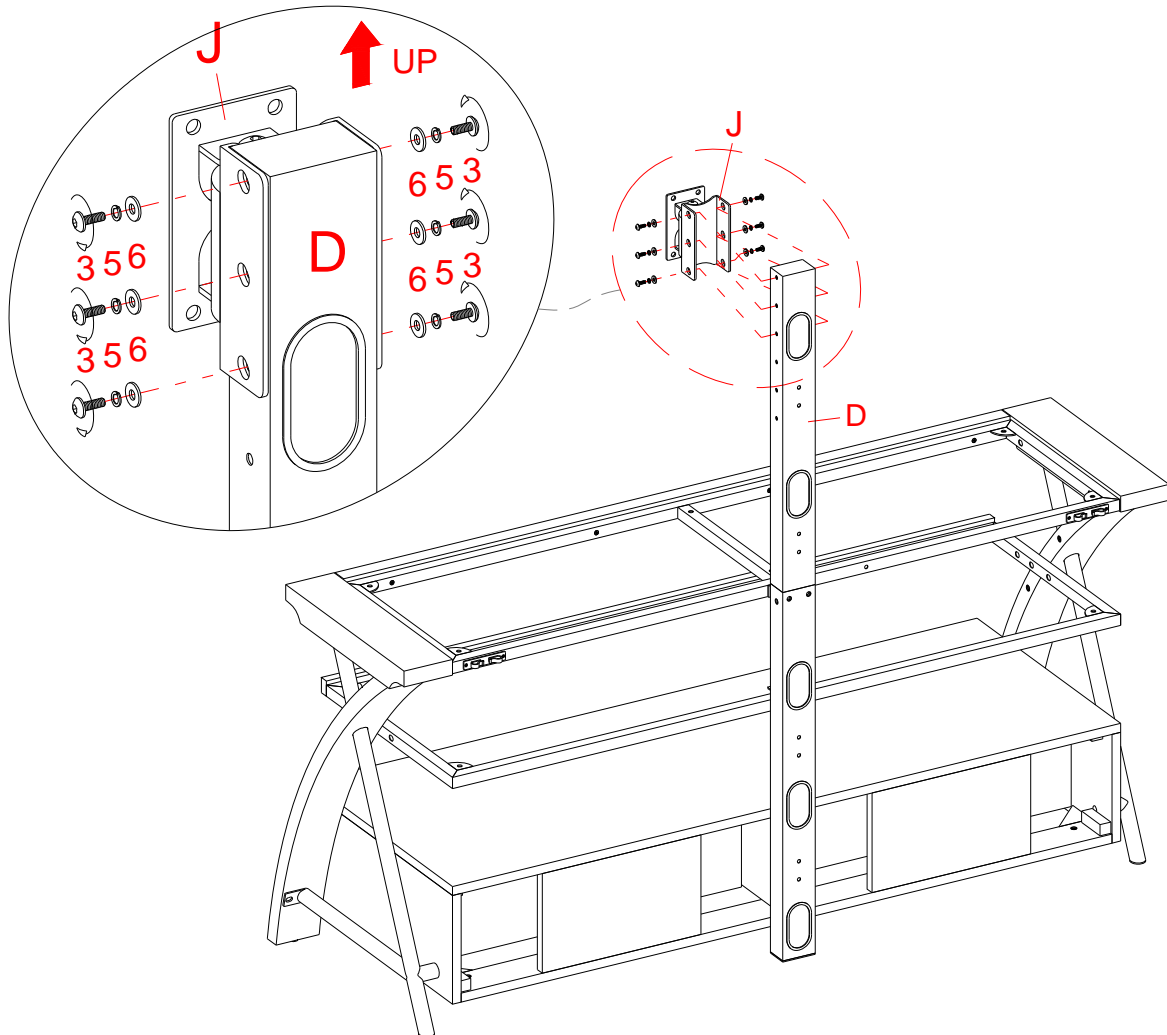
19. Position the assembled console at the desired location against a wall. If necessary, adjust the pre-attached Floor Levelers at the bottom of both Legs (E and F) to level the unit. Now, follow the instructions printed on the plastic bag containing the Tipping Restraint Hardware to attach the tipping restraint to the Top Shelf Frame and the wall.

**NOTE:** YOU MUST USE THIS TIPPING RESTRAINT TO ATTACH THIS UNIT TO THE WALL, TO PREVENT THE UNIT FROM TIPPING, CAUSING ACCIDENTS AND/OR INJURIES.

20. The console is now ready for use. Be sure to position your Flat Panel TV in the center of the console.

**NOTE:** If you choose the Tilting Wall Mount configuration, proceed to PAGE 23.

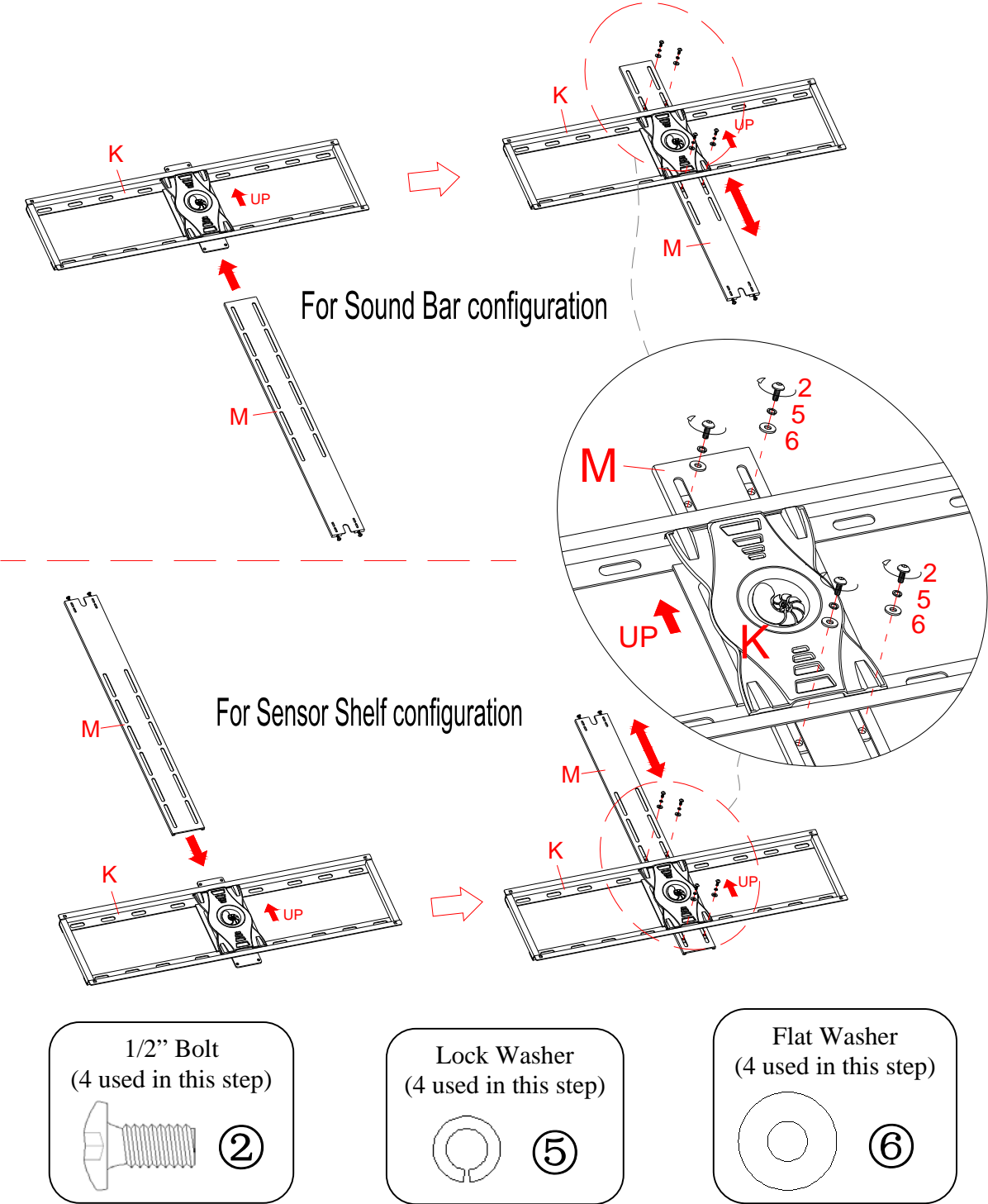
## Assembly Instructions for Floating Swivel Mount



21. Fasten the Swiveling Bracket (J) to the top of the Spine (D) with six 3/4" Bolts (3) and six Washers (5 and 6). Make sure that the pivoting bolt head faces up. Tightening the bolts with the enclosed M4 Allen Wrench.

**NOTE:** The Spine can provide four height options for the TV set. Refer to your TV size and adjust the Swiveling Bracket to the desired height for optimum viewing.

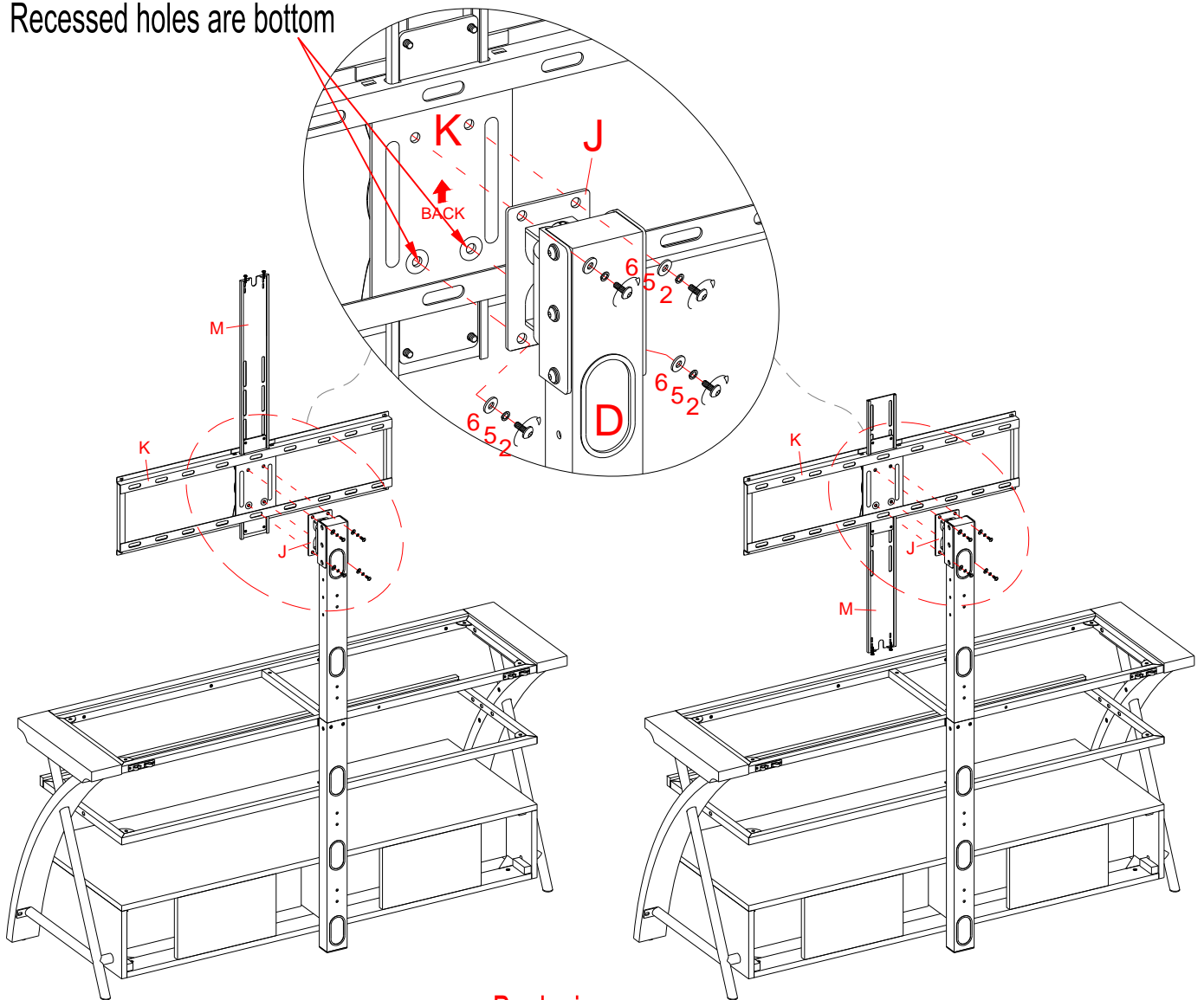
### Assembly Instructions for Floating Swivel Mount



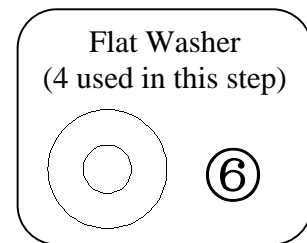
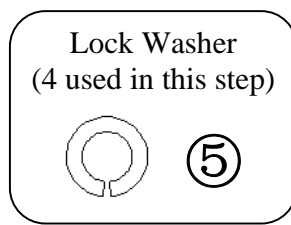
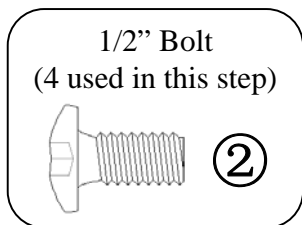
22. The Sensor/Sound Shelf (N) provides two options: position above the TV or below the TV. Depending on the option you prefer, slide the SSS Spine (M) onto the Mounting Frame (K) properly. Adjust the height of SSS Spine so that it will be the correct distance above or below your TV and attach it in place using the 1/2" Bolts (2) with the Washers (5 and 6).

## Assembly Instructions for Floating Swivel Mount

Recessed holes are bottom



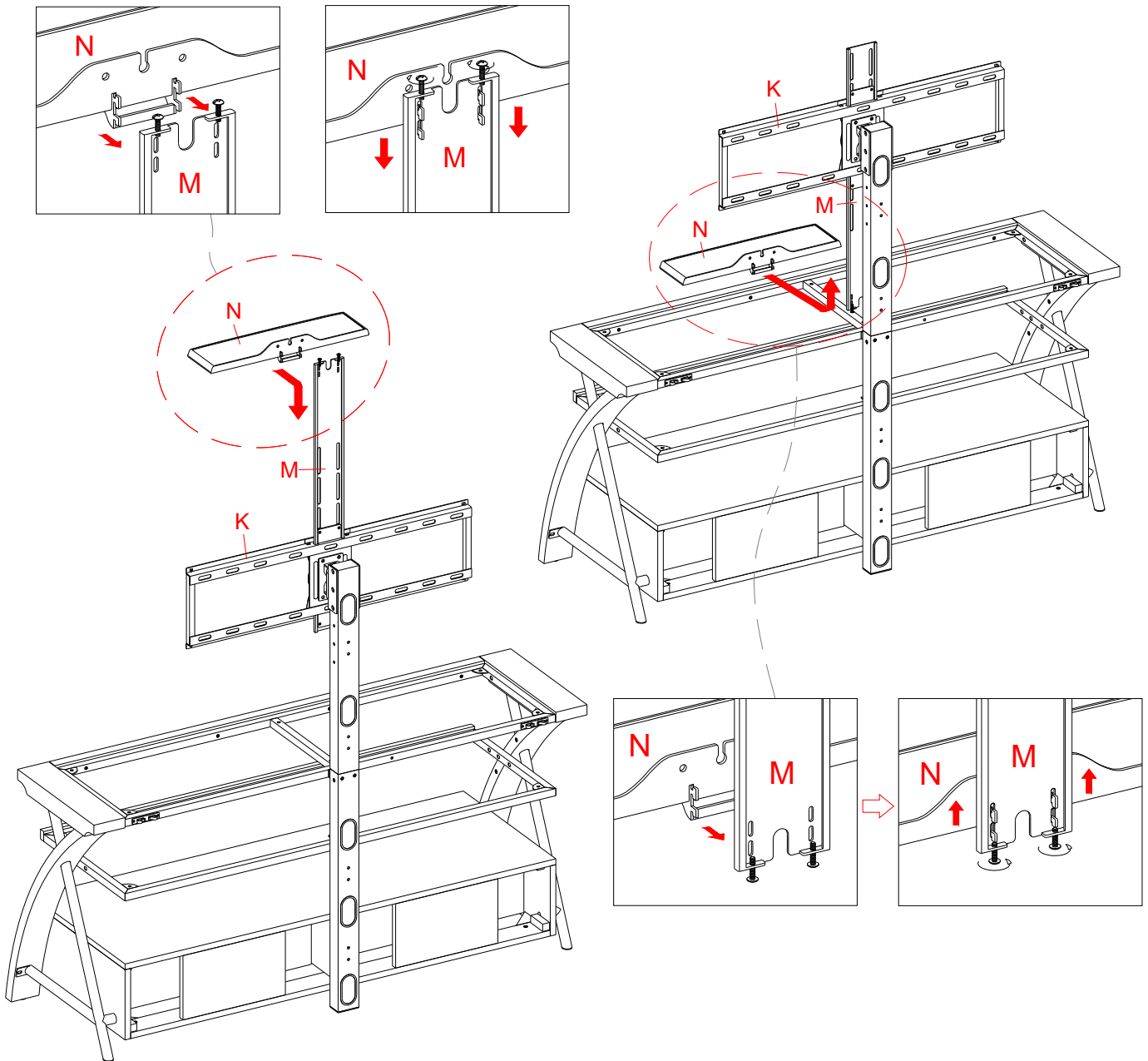
Back view



23. Hold and attach the flat side of the Mounting Frame (K) onto the Swiveling Bracket (J) using four 1/2" Bolts (2) and four Washers (5 and 6). Make sure that the recess holes on the Mounting Frame are at the bottom.

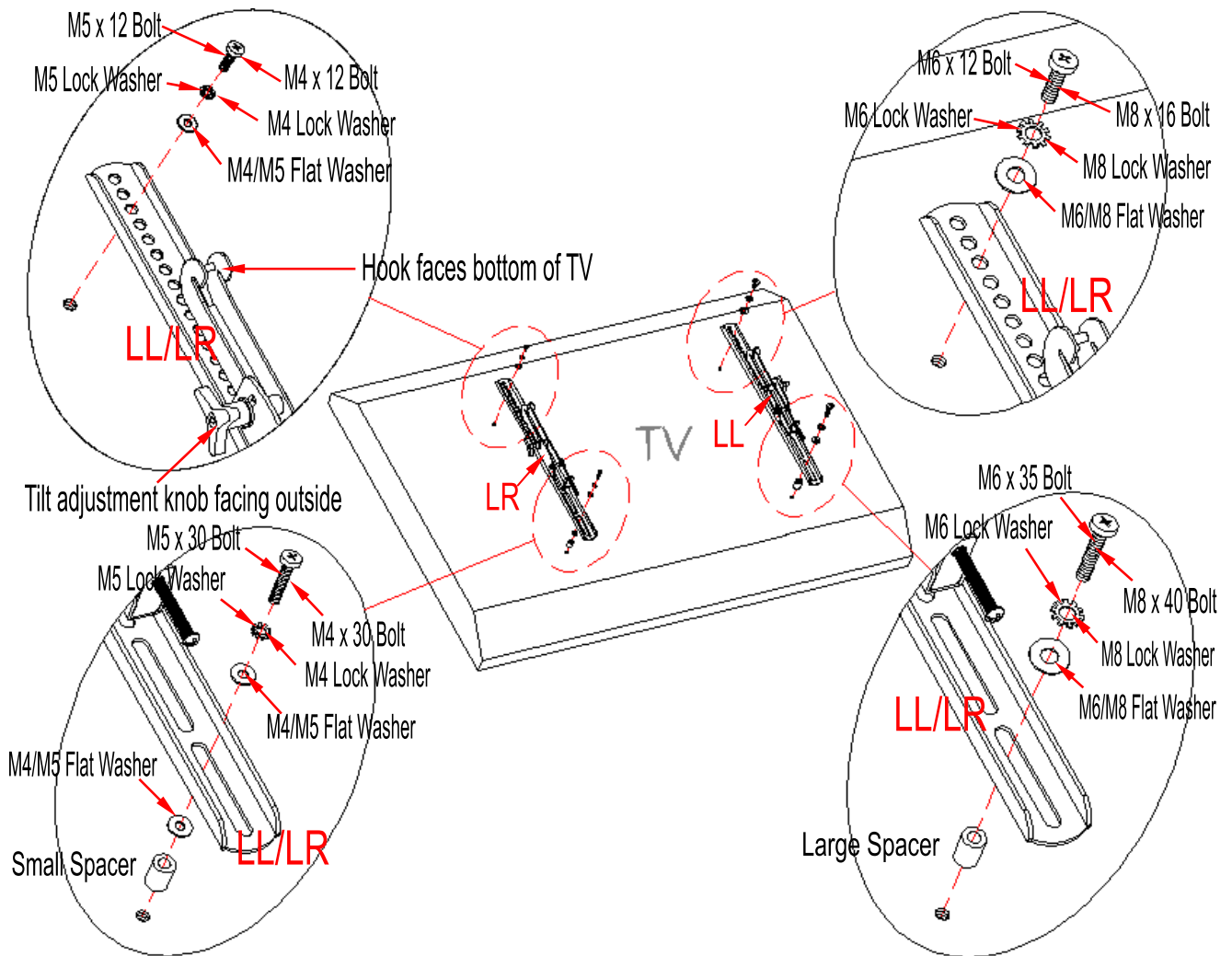


## Assembly Instructions for Floating Swivel Mount



24. Pick up the Sensor/Sound Shelf (N) and securely fit the back tabs into the small slots of the SSS Spine (M). Tighten both Lock Bolts which are pre-attached on the SSS Spine with a Phillips screwdriver until they hit the back tabs of Sensor/Sound Shelf.

## Mounting the Monitor Brackets to a Television with a Flat Back



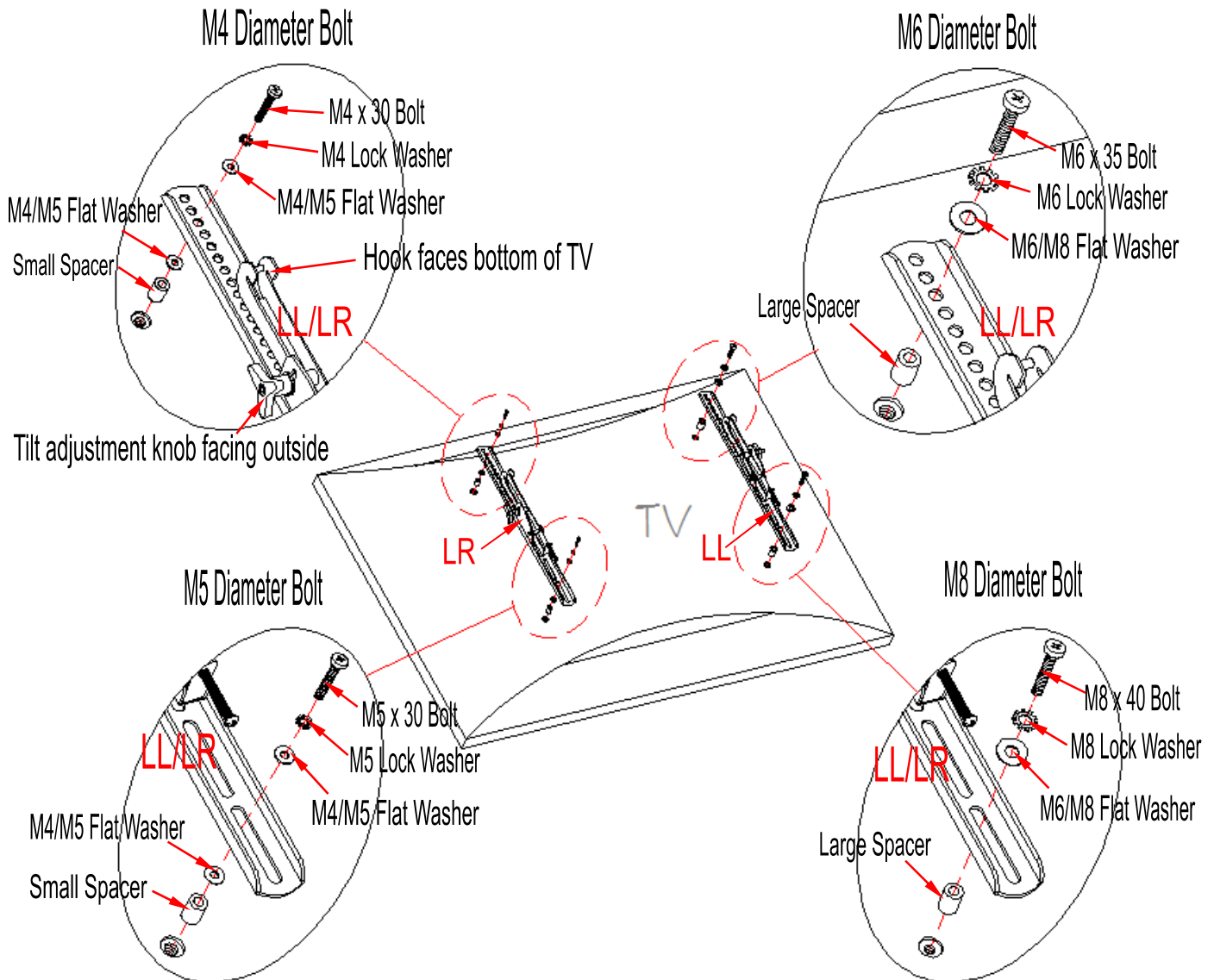
**NOTE:** For televisions with a curved or recessed back, proceed directly to the next page.

25. Determine the correct diameter of the bolt your TV requires by hand threading them into the threaded insert on the back of the TV. If you encounter any resistance, stop immediately. If you are unable to find the correct bolt consult a local hardware store.
26. Follow the appropriate diagram above to attach Monitor Brackets (LL/LR) to the back of your TV with the selected fasteners. Make sure that the Monitor Brackets are centered and level with each other. Secure the bolts with a Phillips screwdriver. DO NOT over tighten the bolts.

**NOTE:** Lean the TV up against a wall or other solid surface when attaching with the Monitor Brackets. DO NOT place the TV face down on the glass as this may cause permanent damage to the TV.

NOTE: If mounting your TV in the Wall Mount configuration, once you have completed the installation of the monitor brackets, proceed to PAGE 23.

## Mounting the Monitor Brackets to a Television with a Curved/Recess Back



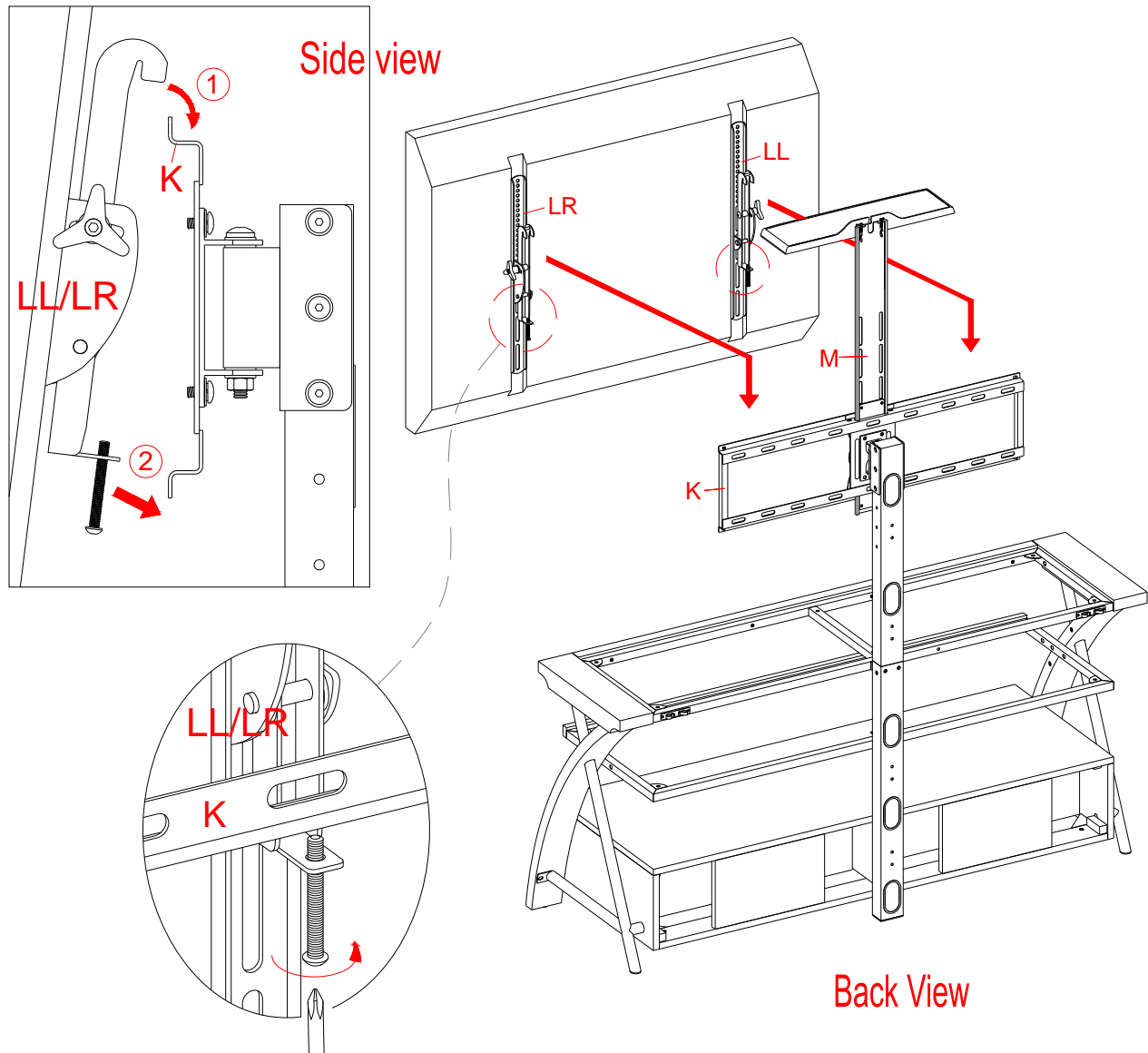
27. Determine the correct diameter of the bolt your TV requires by hand threading them into the threaded insert on the back of the TV. If you encounter any resistance, stop immediately. If you are unable to find the correct bolt consult a local hardware store.

28. Follow the appropriate diagram above to attach Monitor Brackets (LL/LR) to the back of your TV with the selected fasteners. Make sure the Monitor Brackets are centered and level with each other. Secure the bolts with a Phillips screwdriver. DO NOT over tighten the bolts.

**NOTE:** Lean the TV up against a wall or other solid surface when attaching with the Monitor Brackets. DO NOT place the TV face down on the glass as this may cause permanent damage to the TV.

NOTE: If mounting your TV in the Wall Mount configuration, once you have completed the installation of the monitor brackets, proceed to PAGE 23.

## Assembly Instructions for Floating Swivel Mount



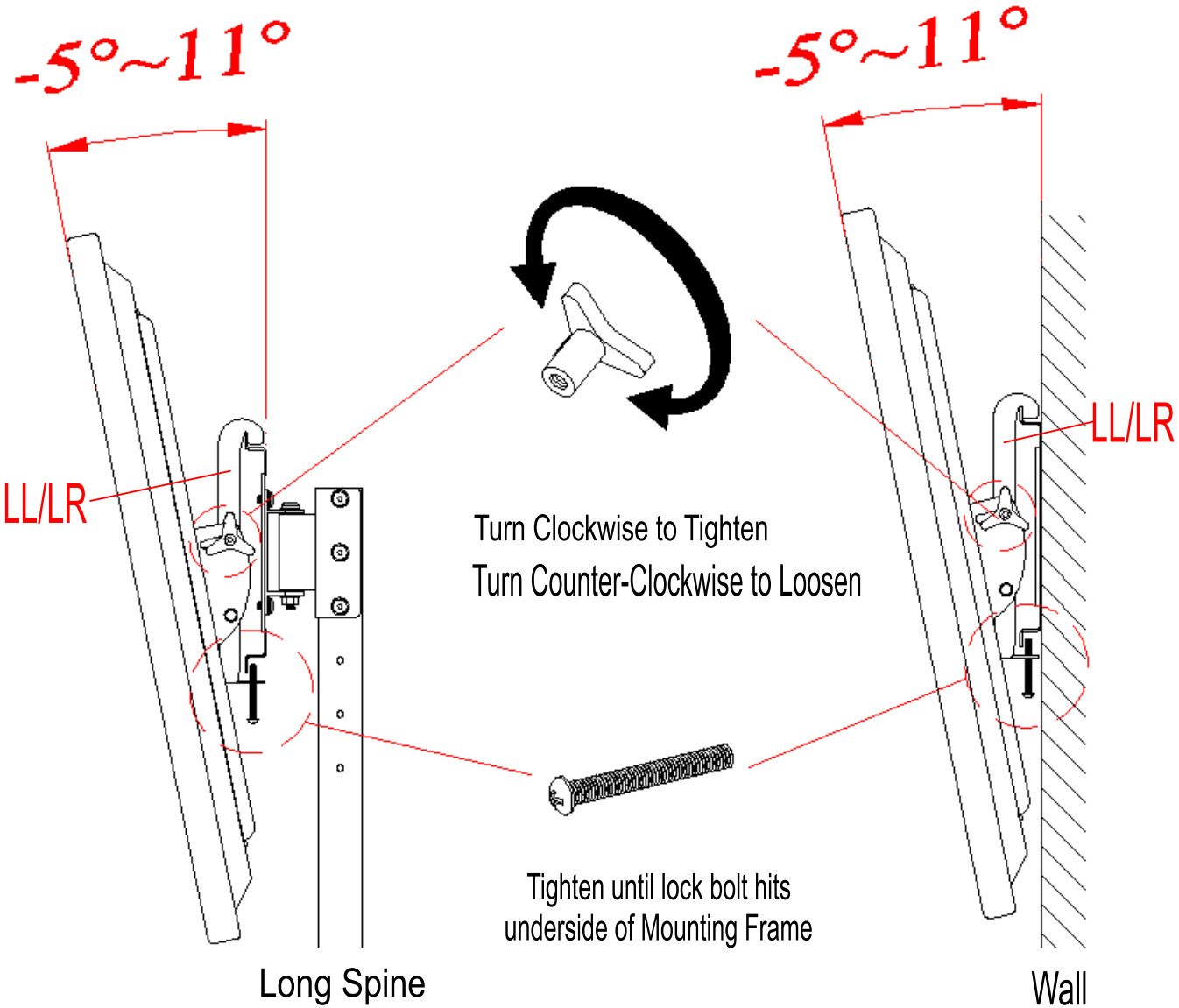
**MAKE SURE ALL BOLTS ARE TIGHT AND THE SPINE IS AT A 90 DEGREE ANGLE AND USE A QUALITY LEVEL TO VERIFY THE MOUNTING FRAME IS LEVEL PRIOR TO INSTALLATION OF TV.**

29. Once the Monitor Brackets (LL/LR) are attached onto the back of television, ask for assistance to lift the television up to hang the Monitor Brackets (LL/LR) onto the Mounting Frame (K). Set the hooks on the Monitor Brackets over the Mounting Frame and then lower them onto the bars of the Mounting Frame.

**NOTE:** Loosen the Lock Bolt that is pre-attached to the Monitor Brackets to ensure an easy fit at the bottom hooks.

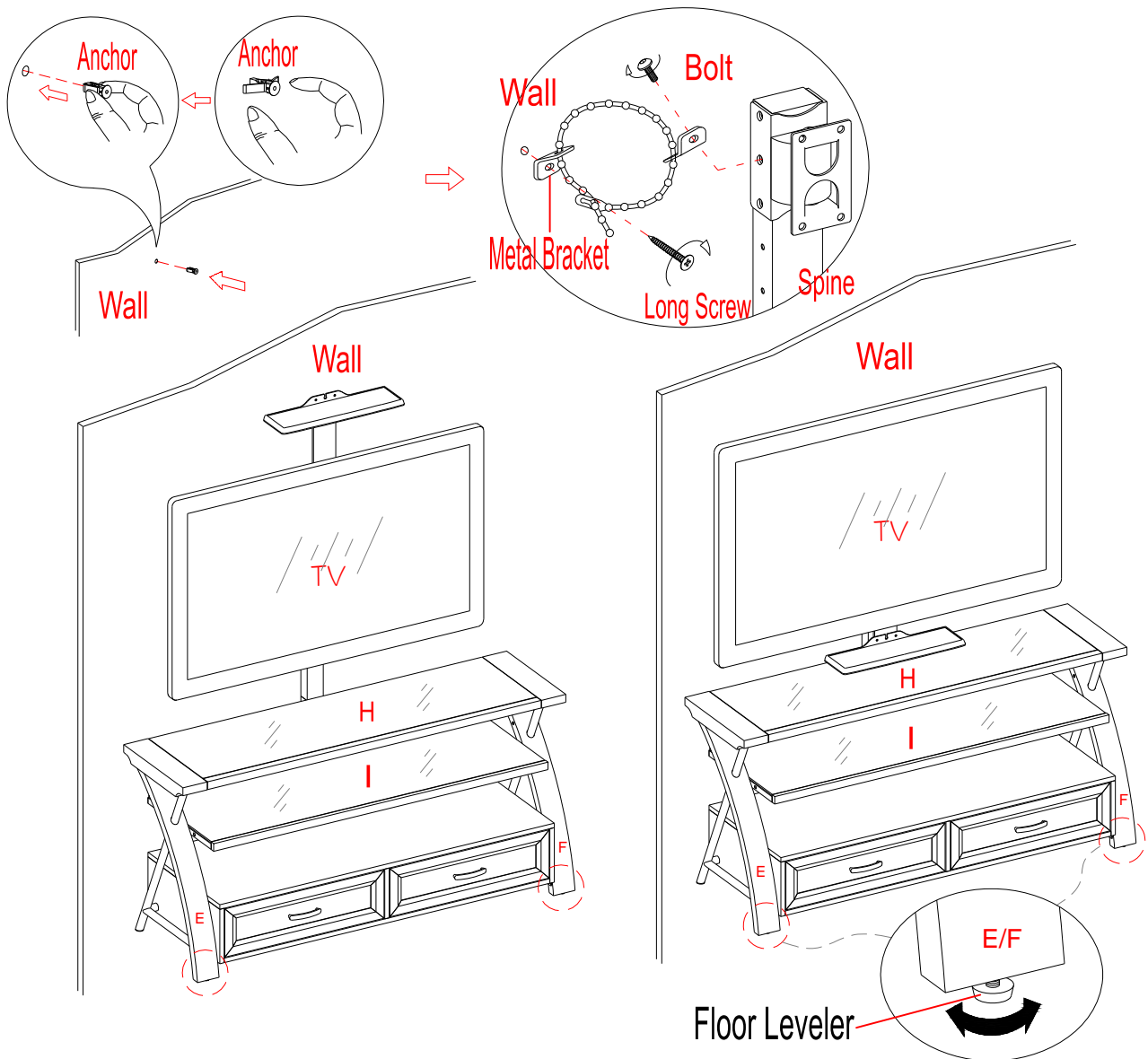
30. Center the television and tighten both Lock Bolts with a long Phillips screwdriver until they hit the underside of the Mounting Frame (K) to ensure your TV is safe and secure.

Assembly Instructions for Floating Swivel Mount



31. The Monitor Brackets (LL/LR) can tilt up to 11° downward and 5° upward, depending on your optimum viewing position. Keep the enclosed 3/16" Allen Wrench to ensure the Tilt Adjustment Knobs remain tightly fastened.

## Assembly Instructions for Floating Swivel Mount



**Tools required:** Allen Wrench (provided), Phillips screwdriver, Mallet, Power Drill, and 3/8" Drill Bit.

32. Repeat steps 16 through 18 to attach the Cable Wheels (O) and install the Top Glass (H) and Glass Shelf (I) in place.
33. Carefully move the console and position it at the desired location against a wall. If necessary, adjust the pre-attached Floor Levelers at the bottom of both Legs (E and F) to level the unit. Now, follow the instructions printed on the plastic bag containing Tipping Restraint Hardware Kit to attach the tipping restraint to the Spine and the wall.

**NOTE:** YOU MUST USE THIS TIPPING RESTRAINT TO ATTACH THIS UNIT TO THE WALL, TO PREVENT THE UNIT FROM TIPPING, CAUSING ACCIDENTS AND/OR INJURIES.

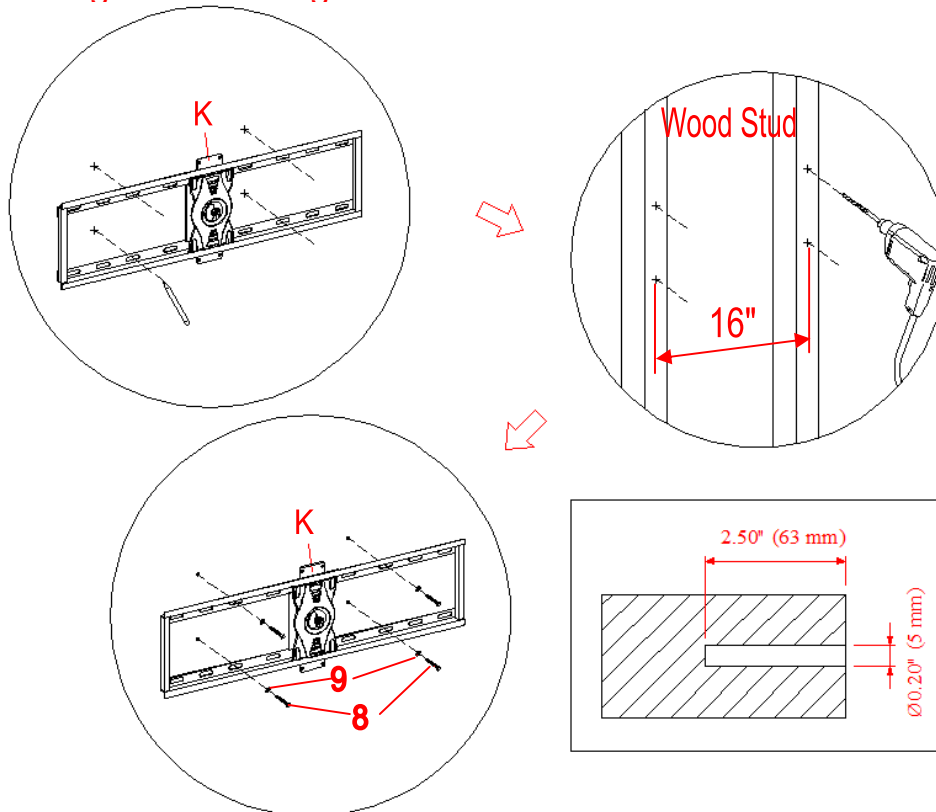
34. The console is now ready for use. Swivel the TV left-or-right for optimum viewing control.

**STOP**

The following steps are only for those who wish to mount their TV directly to the wall. If you have already mounted your TV to the Swinging Floater or plan to display your TV on the top surface of the stand, disregard the following steps.

### Assembly Instructions for Universal Wall Mount

#### Installing the Mounting Frame onto a WOODEN STUD WALL



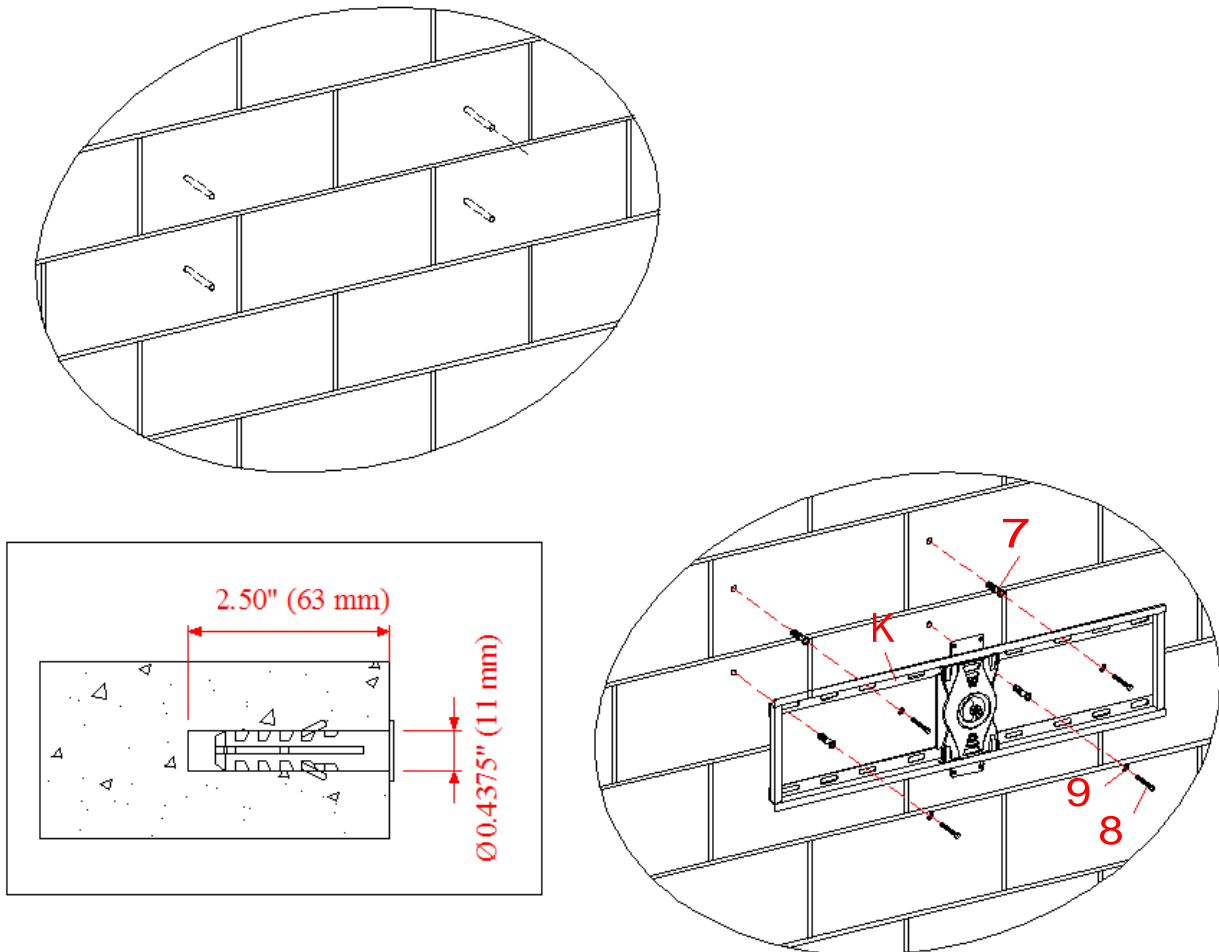
#### **WARNING**

Do not over tighten the Lag Bolts. Tighten Lag Bolts only until the Lag Bolt Washer is pulled firmly against the metal plate of Mounting Frame. If there is a layer of drywall or other material, this drywall or other material may not exceed 5/8 inch in thickness. Failure to heed this caution may result property damage and/or personal injury.

**NOTE:** If you are mounting your TV onto brick, solid concrete or concrete block, skip this section. This assembly requires an electric drill, level and stud finder (not included).

35. Using a stud finder, locate the edges of the wood studs. Find the center line of each stud and draw a vertical reference line on the wall over each one. Place the Mounting Frame (K) level against the wall where you intend to mount the TV. Using the Mounting Frame (K) as a template, mark 4 drill points (2 on top, 2 on bottom) with a pencil on the vertical reference lines you just drew.
36. With an electric drill (not included) drill 3/16 inch diameter holes to at least 2½ inch deep on the four drill points. While holding the Bracket Plate in place, loosely screw in the Lag Bolts (8).
37. Secure the Mounting Frame (K) to wall with the Lag Bolts (8) and the Washers (9) at the drill points. Tighten the bolts firmly, but be careful not to over tighten.

**Assembly Instruction for installing the Mounting Frame onto BRICK, SOLID CONCRETE OR CONCRETE BLOCK WALLS**



**⚠ WARNING** Maximum weight 135 lb. (61.2 kg)

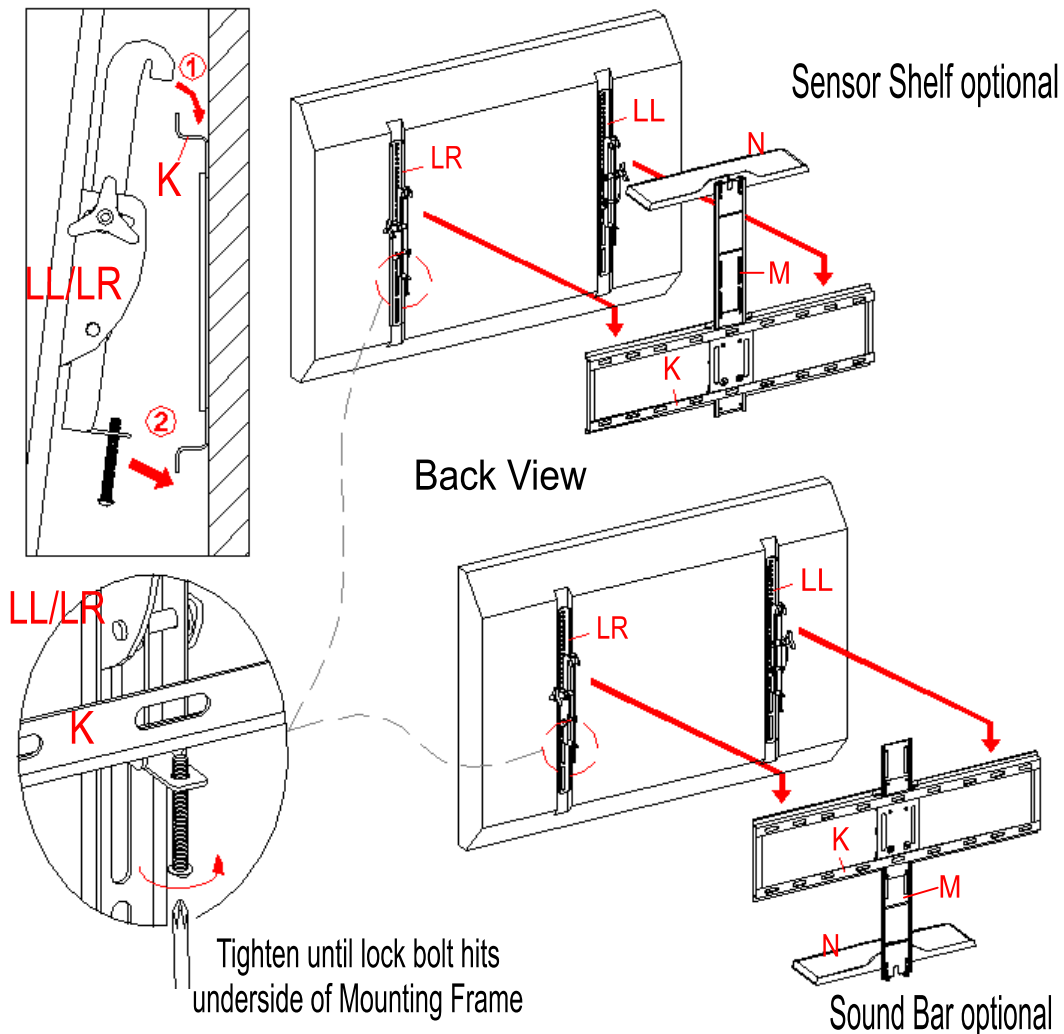
**⚠ WARNING** Concrete Anchors should only be used for masonry mounting. NEVER use the wall anchors to mount the unit to drywall.

**NOTE:** If you are mounting your TV to a wall with wooden studs, skip this section. This assembly requires an electric drill and level (not included).

38. Begin by placing the Mounting Frame (K) level against the wall where you intend to mount the TV. Using the Mounting Frame (K) as a template, mark 4 drill points with a pencil.
39. With an electric drill (not included) on its low setting, drill 7/16 inch diameter holes to at least 2½ inch (63.5 mm) deep. Insert the Concrete Anchors (7) into the pre-drilled holes so that they are flush with the wall.
40. Place the Mounting Frame (K) level in the desired position against the wall. Secure the Mounting Frame (K) to wall with the Lag Bolts (8) and the Washers (9) at the drill points. Tighten the bolts firmly, but be careful not to over tighten.



## Assembly Instructions



41. The Sensor/Sound Shelf (N) provides two options: position above the TV or below the TV. Depending on the option you prefer, slide the SSS Spine (M) onto the Mounting Frame (K) properly. Adjust the height of SSS Spine so that it will be the correct distance above or below your TV and attach it in place using the ½ inch Bolts (2) with the Washers (5 and 6).
42. Attach the Monitor Brackets (LL/LR) to the back of the television following steps 25 & 26, or 27 & 28, depending on the type of TV that you own.
43. Once the Monitor Brackets (LL/LR) are attached onto the back of television, ask for assistance to lift the television up to attach the Monitor Brackets onto the Mounting Frame (K). Set the hooks on the Monitor Brackets over the Mounting Frame and then lower them onto the bars of the Mounting Frame. Proceed to center the television.
44. If you want to adjust the tilt, ask for assistance to hold the TV steady before you start to adjust. Simply turn the both Tilt Adjustment Knobs on the Monitor Brackets (LL/LR) with the 3/16" Allen Wrench to adjust your TV to provide optimum viewing and minimize glare. When the TV is in its intended position, tighten both Lock bolts with a long Phillips screwdriver until they hit the underside of Mounting Frame (K) to ensure your TV is safe and secure.
45. Repeat the step 24 to install the Sensor/Sound Shelf (N) onto the SSS Spine (M).
46. Place the assembled console under your TV. Finally, connect the A/V and power cables to your TV. You are now ready to enjoy your wall-mounted Flat Panel TV.

## Care and Maintenance

- Use a soft, clean cloth that will not scratch the surface when dusting.
- Use of furniture polish is not necessary. Should you choose to use polish, test first in an inconspicuous area.
- Using solvents of any kind on your furniture may damage the finish.
- Never use water to clean your furniture as it may cause damage to the finish.
- Always use coasters under beverage glasses and flowerpots.
- Liquid spills should be removed immediately. Using a soft clean cloth, blot the spill gently. Avoid rubbing.
- Always use protective pads under hot dishes and plates. Heat can cause chemical changes that may create spotting within the furniture finish.
- Stains or marks from crayons or ink markers will be difficult to remove.
- In the event that your furniture is stained or otherwise damaged during use, we recommend that you call a professional to repair your furniture.
- Check bolts/screws periodically and tighten them if necessary.

## Further advice about wood furniture care

It is best to keep your furniture in a climate-controlled environment. Extreme temperature and humidity changes can cause fading, warping, shrinking and splitting of wood. It is advised to keep furniture away from direct sunlight as sun may damage the finish.

Proper care and cleaning at home will extend the life of your purchase. Following these important and helpful tips will enhance your furniture as it ages.

**A Touch-up Pen has been provided to repair any small nicks or scratches that may occur during assembly or shipping.**

We hope you enjoy your purchase for many years.  
Thank you for your purchasing!

## QUALITY GUARANTEE

We are confident that you will be delighted with your Bayside Furnishings® purchase.

Should this product be defective in workmanship or materials or fail under normal use, we will repair or replace it for up to one (1) year from date of purchase. Every Bayside Furnishings® product is designed to meet your highest expectations. We guarantee that you will immediately see the value of our fine furniture.

This warranty gives you specific legal rights and you may also have other rights which vary from State to State.

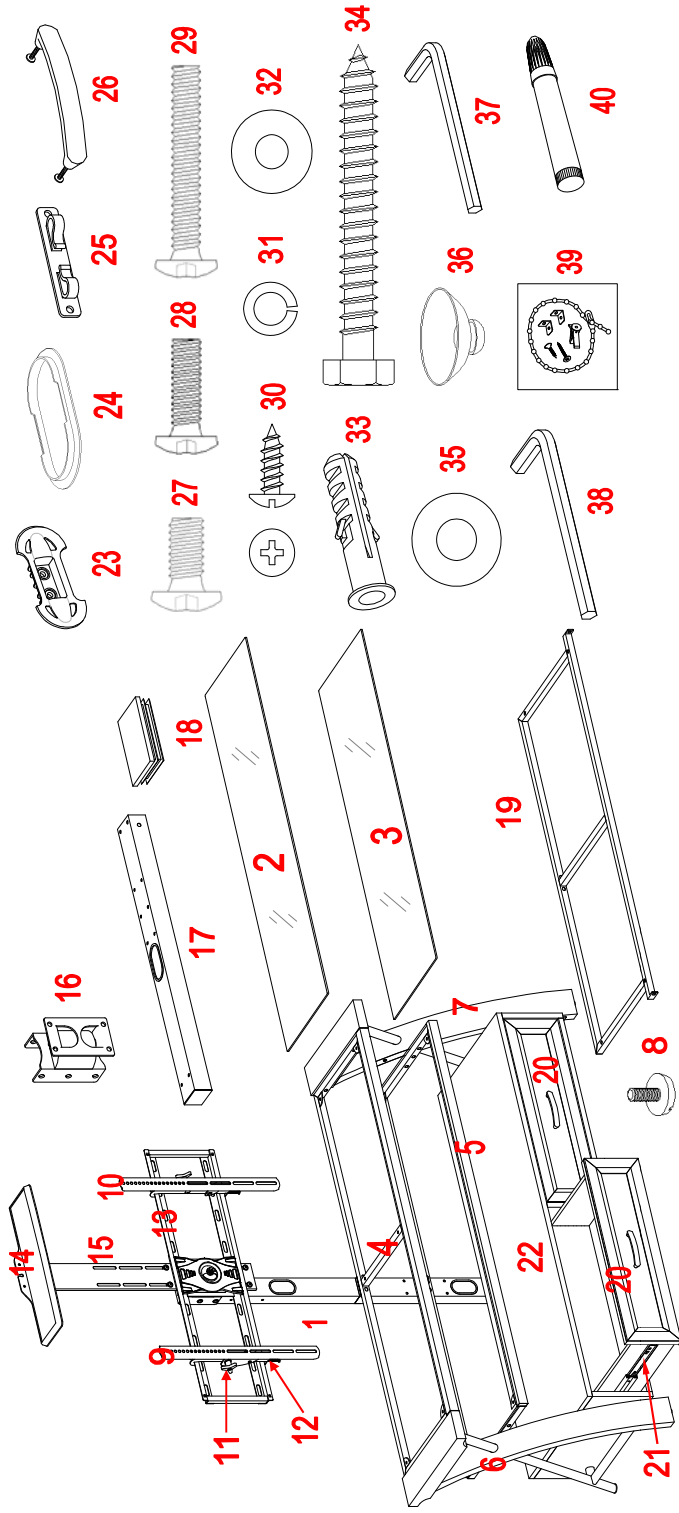
Customer Service: 877-494-2536  
8:30 a.m. - 4:30 p.m., PST, Monday to Friday

**Bayside  Furnishings®**

[www.baysidefurnishings.com](http://www.baysidefurnishings.com)

IF YOU NEED TO ORDER ANY REPLACEMENT PARTS, PLEASE USE THE LIST BELOW

Ario 3-in-1™ TV Stand (ARI3N1CGT)



*ARI3N1CGT-1-US	Upper Spine	*ARI3N1CGT-22-DB	Drawer Box (without utility drawers)
*ARI3N1CGT-2-TG	Top Glass	*ARI3N1CGT-23-CW	Cable Wheel
*ARI3N1CGT-3-GS	Glass Shelf	*ARI3N1CGT-24-OPG	Oval Plastic Grommet
*ARI3N1CGT-4-TSF	Top Shelf Frame	*ARI3N1CGT-25-CC	Cord Clip (2-position)
*ARI3N1CGT-5-MSF	Middle Shelf Frame	*ARI3N1CGT-26-HAB	Handle and Bolts
*ARI3N1CGT-6-LL	Left Leg	*ARI3N1CGT-27-1/2BWT	1/2" Bolt with Teflon
*ARI3N1CGT-7-RL	Right Leg	*ARI3N1CGT-28-3/4B	3/4" Bolt
*ARI3N1CGT-8-FL	Floor Leveler	*ARI3N1CGT-29-1 1/2B	1-1/2" Bolt
*ARI3N1CGT-9-LMB	Left Monitor Bracket	*ARI3N1CGT-30-1/2S	1/2" Screw
*ARI3N1CGT-10-RMB	Right Monitor Bracket	*ARI3N1CGT-31-LW	Lock Washer
*ARI3N1CGT-11-TAK	Tilt Adjustment Knob	*ARI3N1CGT-32-FW	Flat Washer
*ARI3N1CGT-12-LB	Lock Bolt	*ARI3N1CGT-33-CA	Concrete Anchor
*ARI3N1CGT-13-MF	Mounting Frame	*ARI3N1CGT-34-2 1/2LB	2-1/2" Lag Bolt
*ARI3N1CGT-14-SSS	Sensor/Sound Shelf	*ARI3N1CGT-35-LBW	Lag Bolt Washer
*ARI3N1CGT-15-SSSS	SSS Spine	*ARI3N1CGT-36-SC	Suction Cup
*ARI3N1CGT-16-SB	Swiveling Bracket	*ARI3N1CGT-37-M4AW	M4 Allen Wrench
*ARI3N1CGT-17-BS	Bottom Spine	*ARI3N1CGT-38-3/16AW	3/16" Allen Wrench
*ARI3N1CGT-18-SEC	Spine End Cap (40 x 60 mm)	*ARI3N1CGT-39-TRHK	Tipping Restraint Hardware Kit
*ARI3N1CGT-19-BMF	Bottom Metal Frame	*ARI3N1CGT-40-TUP	Touch-up Pen
*ARI3N1CGT-20-UD	Utility Drawer	*ARI3N1CGT-TVMK	TV Mounting Kit
*ARI3N1CGT-21-DS	Drawer Slides	*ARI3N1CGT-CH	Complete Hardware