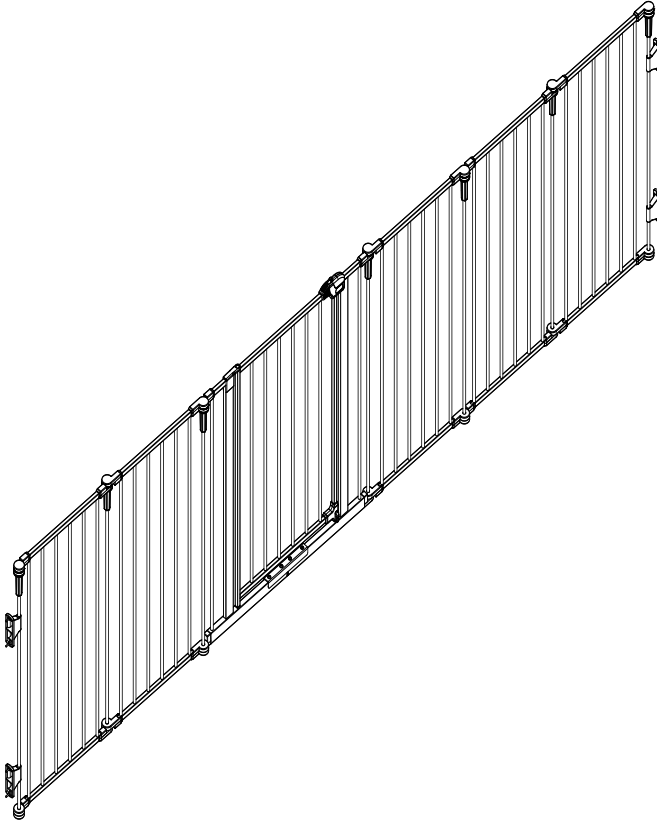




2 in 1 Super Wide Safety Gate and Play Yard

OWNER'S MANUAL MODEL: 1340




- READ ALL INSTRUCTIONS BEFORE ASSEMBLY AND USE OF GATE.
- KEEP INSTRUCTIONS FOR FUTURE USE.

 www.regalo-baby.com

 Regalo International, LLC.

3200 Corporate Center Drive, Suite 100 / Burnsville, MN 55306, USA

 866.272.5274 (U.S. only) or 952.435.1080

Made in China

Before Using Product

Read and follow all instructions carefully to ensure that your gate is properly installed. Improper installation could result in the gate becoming unstable or dislodged from the doorway. The safety of your child is your responsibility. Please keep these instructions for your reference.

IMPORTANT

- Mounting hardware must be mounted into the wall.
- Base locks are to be used at all times, on both sides of the gate.

WARNING

- Install according to manufacturer's instructions.
- Children have died or been seriously injured when gates are not securely installed. ALWAYS install and use gate as directed using all required parts.
- STOP using when a child can climb over or dislodge the gate.
- Use only with the locking/latching mechanism securely engaged.
- NEVER use to keep child away from pool.
- Intended for use with children from 6 months through 24 months.
- This product will not necessarily prevent all accidents. Never leave child unattended.
- Always ensure the gate is resting against the floor before beginning installation.
- Check the gate regularly to see if all the hardware and mountings are tightened.
- Do not use if any components are missing or damaged.
- Adult supervision is required at all times.
- Adult assembly required.
- To prevent falls, never use at top of stairs.

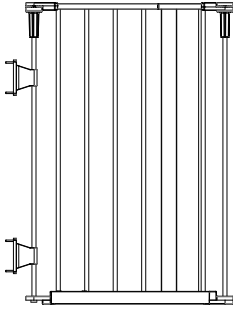
MODEL NO. 1340

Manufacturer recommendations:

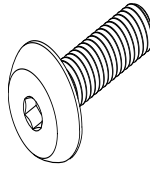
- For children ages 6 months to 24 months
- When mounting:
 - The minimum opening allowed is 56"
 - The maximum opening allowed is 130".

Before Assembly

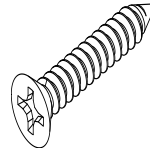
A



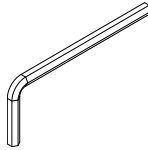
B



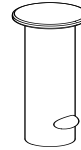
C



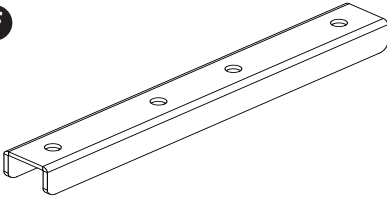
D



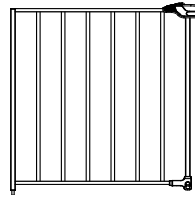
E



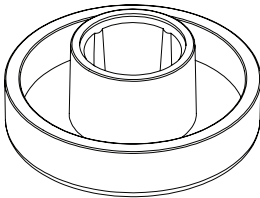
F



G



H



PLEASE CHECK TO MAKE SURE YOU HAVE THE FOLLOWING PARTS:

A Main Gate Assembly (2)

H Cap Hinge Cover (1)

B Pan Head Screw (4)

C Wood screw (8)

D Allen Wrench (1)

E Upper Door Hinge Pin (1)

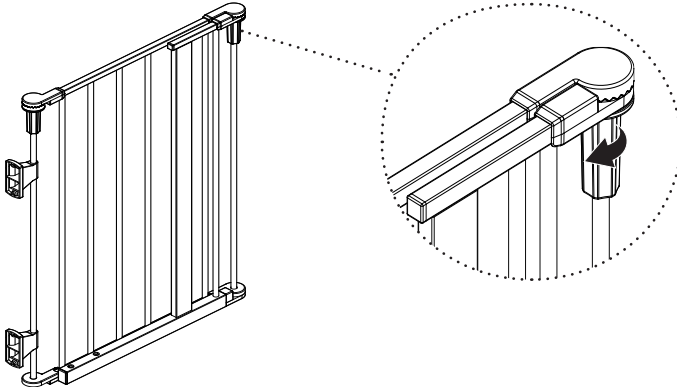
F Door Frame U-bracket (1)

G Door Frame Assembly (1)

Gate Assembly

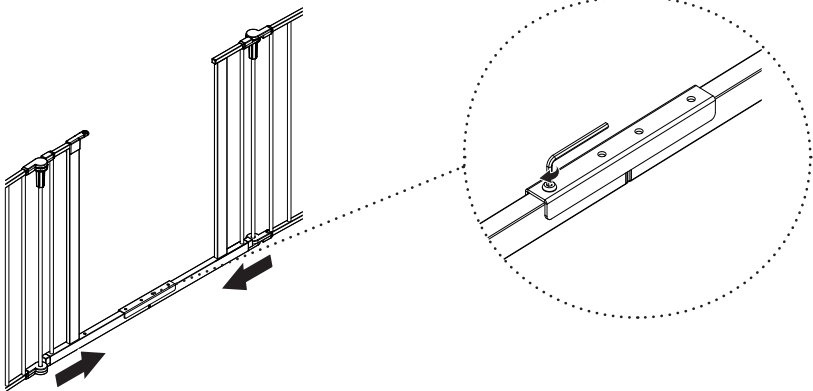
STEP 1

Start with the *main gate assemblies*. Loosen the *hinge knob* in the clockwise direction. Doing this will let *main gate assemblies* unfold.



STEP 2

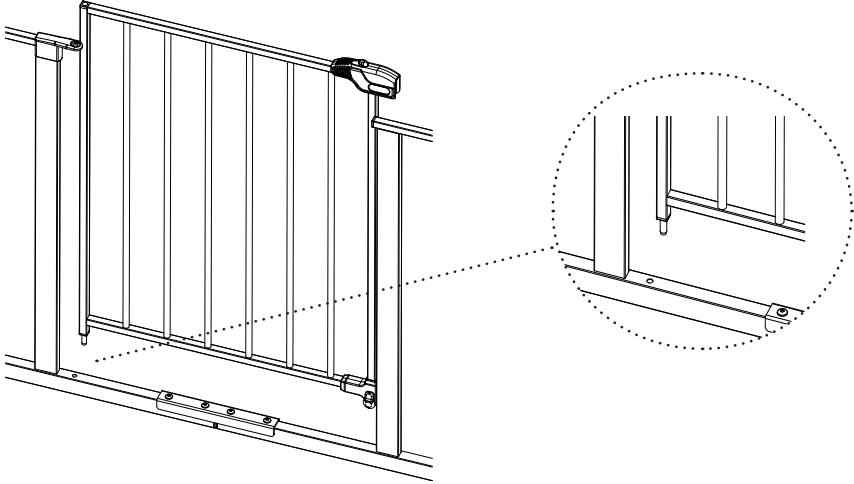
Slide the two gate assemblies together. Place the *door frame u-bracket* over the lower frame lining up the four (4) holes. Using the *allen wrench* tighten down the four (4) *pan head screws*. Rotate the *allen wrench* in the clockwise direction to tighten the screws.



Gate Assembly

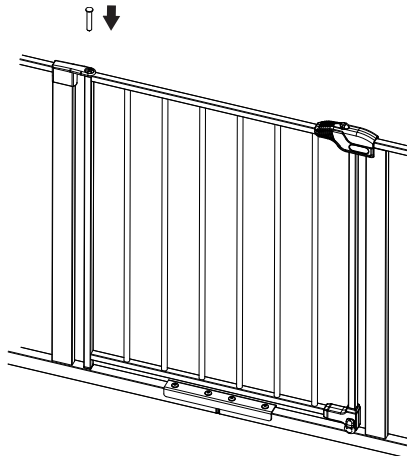
STEP 3

Set the *door frame assembly* into the gate. Set the pin of the door frame assembly into the receiver hole on the *main frame assembly*.



STEP 4

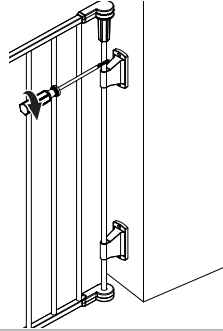
Place the *upper door hinge pin* through the hole in the *main frame assembly* and into the *door frame assembly*. Note: Once the *upper door hinge pin* is installed it will not be removed easily.



Mounting of the Gate

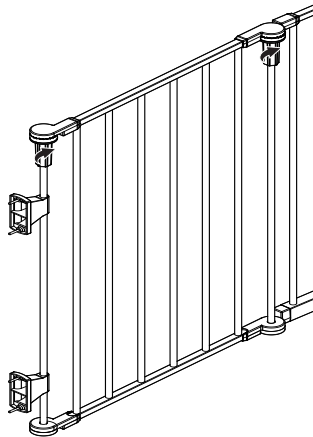
STEP 1

Determine what side you wish to have the hinge of the door on. Place the *wall mounts* on that end of the gate against the wall. Using the wood screws, screw into the wall. Turning the a screwdriver in the clockwise direction will tighten the screws. Repeat on both ends of the gate. Note: If your application does not require both extension gates, refer to removing extension gate.



STEP 2

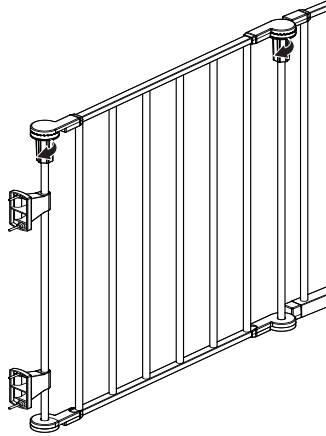
Tighten all the gate hinges by twising the hinge knob counter clockwise direction..



Removing Extension Gate(s)

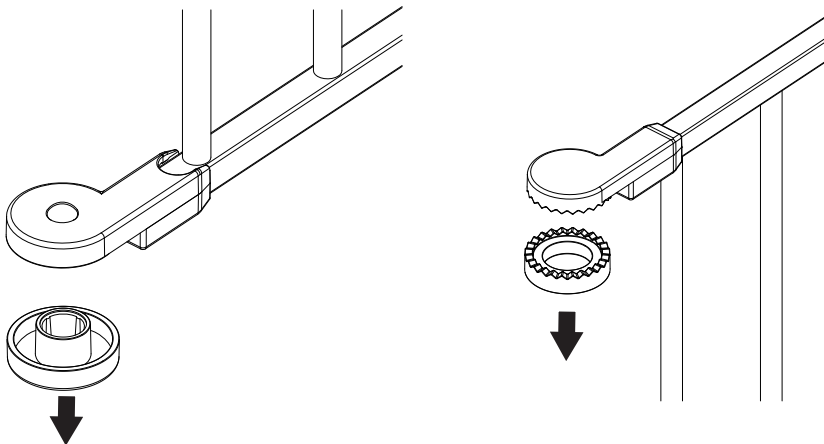
STEP 1

If the standard gate is too long for your opening you must remove one or more extension gate(s). Loosen the *hinge knob* in the clockwise direction. Slide the *hinge knob* down and pull out the *tube hinge*. Do the same with the *tube hinge* on the end with the *wall mounts*.



STEP 2

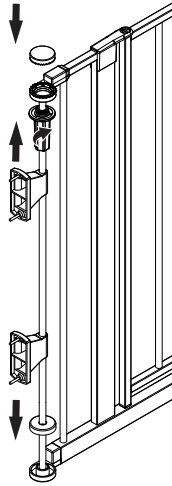
Remove the *hinge cover cap*. *Hinge cover cap* is on the bottom of the hinge with the wall mounts. Remove the toothed hinge cap from the top.



Removing Extension Gate(s)

STEP 3

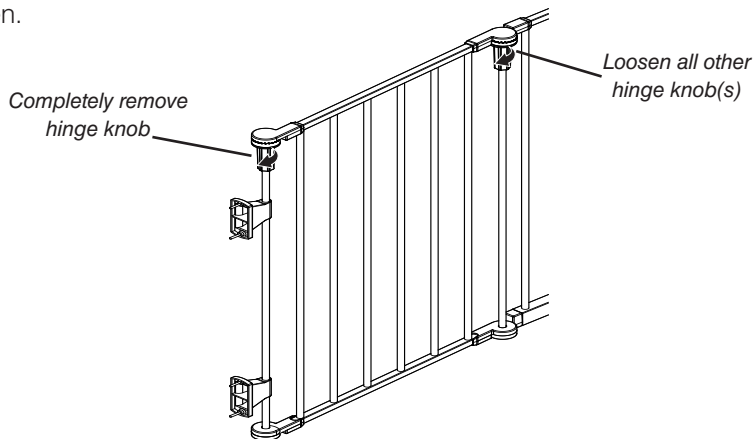
Place the *tube hinge*, wall mounts, *hinge knob*, and *cap hinge cover* into the desired extension frame. Place the *toothed hinge cover* on the top of the gate. Slide the *hinge knob* up into the *toothed hinge cover* and twist counter-clockwise to tighten. Once the hinge knob is tight lower the cap hinge cover all the way down.



Creating the Play Yard

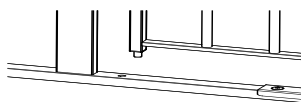
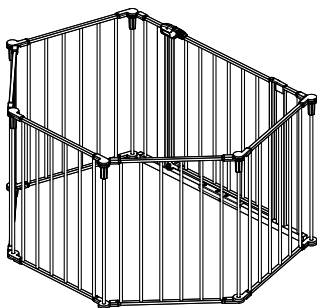
STEP 1

Remove the *hinge knobs* on the tube that contain the *wall mounts*. Remove the *wall mounts* from the *tubes*. Loosen all other *hinge knobs* just enough to disengage the locking teeth. Twist the *hinge knobs* in the clockwise direction to loosen.



STEP 2

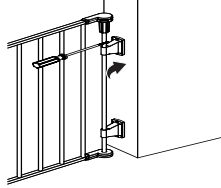
Adjust the extension panels into a "circle". Place the open ends of the extension frames into one another.



Creating the Play Yard

STEP 3

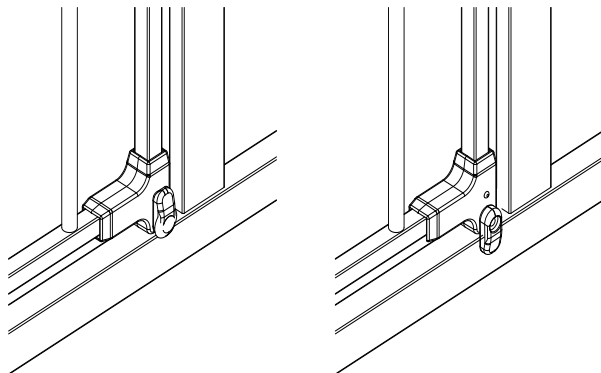
Place the tube with the *hinge knob* on it into the hole in the bottom of the *extension gate*. Slide the tube into place and screw the *hinge knob* in the counter clockwise direction to tighten.



Gate Operation

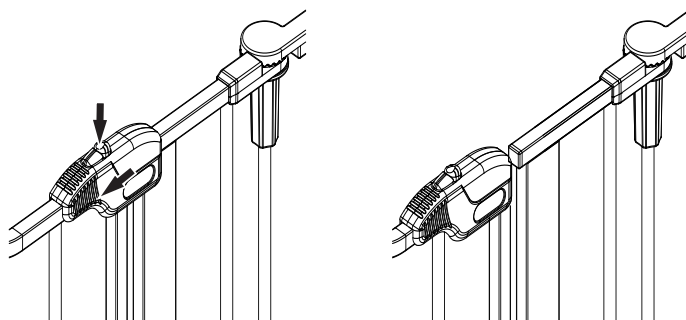
STEP 1

To open the gate, start with rotating the *base lock* in the upward direction. Do this on both sides of the door. Note: You can rotate the *base lock* in either direction.



STEP 2

Press the release button down on the *handle*. Slide the handle towards the hinge. Note: *Handle* is spring loaded and will return to its "locked" position on its own. When closing the gate you must do the same operation.



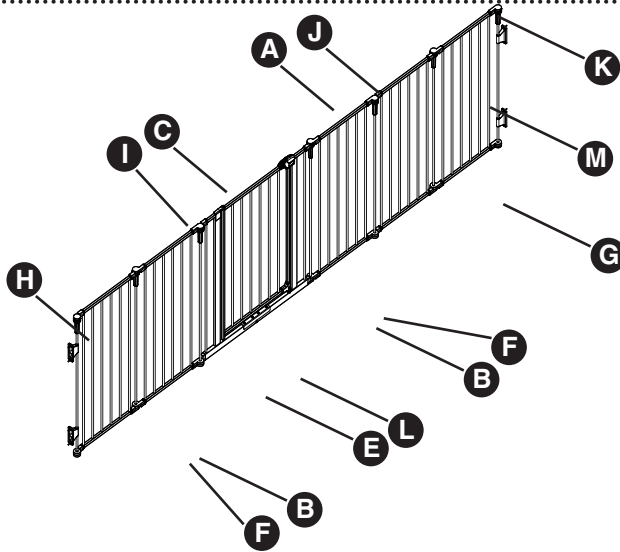
CARE AND MAINTENANCE

Periodically check the gate for signs of damage, wear, or missing components. Do not use if any part is missing, worn or damaged. Check the gate regularly to ensure all the hardware and mountings are tightened. Do not use abrasive cleaners or bleach. Clean by sponging with warm water and a mild detergent.

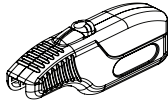
90 DAYS LIMITED WARRANTY

If, during the first 90 days after consumer purchase of the item, under reasonable and non-commercial use and conditions of maintenance, it fails while owned by the original purchaser because of the quality of materials or workmanship of finish and assembly, Regalo International, LLC, will replace or repair it at Regalo's option. **PROOF OF PURCHASE REQUIRED.**

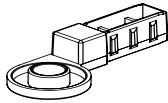
Replacement Parts



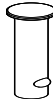
A Slide Handle, Kit, Narrow
#100430-001



B Endcap Plug, Disc Hinge, Doorframe, Male
#300306-001



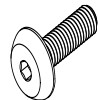
C Pin, Hinge, Spring
#100267-001



D Screw Wood, GB 3.5MM x 25MM



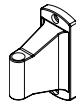
E Screw Wood, GB 3.5MM x 25MM



F Endcap, Disc Hinge, Bottom, Male
#300322-001



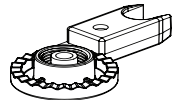
G Endcap, Disc Hinge, Bottom, Male
#300322-001



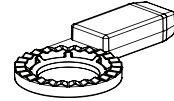
H Knob Hinge
#300778-001



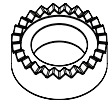
I Endcap, Disc Hinge, Toothed, Doorframe, Male
#300779-001



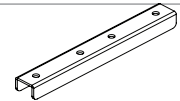
J Endcap, Disc Hinge, Toothed, Doorframe, Female
#300781-001



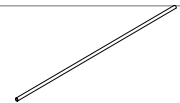
K Disc, Hinge Toothed
#300783-001



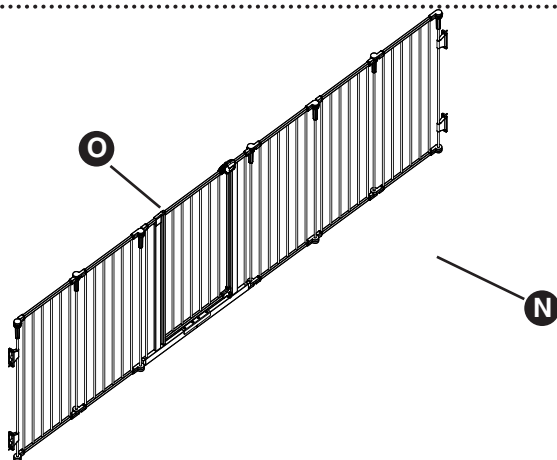
L U-bracket, Junction, Doorframe
#301272-001



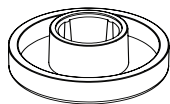
M Tube, Steel, Ø10mm x 683mm
#301273-001



Replacement Parts



-
- N** *Cap, Hinge Cover, Female*
#301312-001



-
- O** *Hinge Cover, Endcap Plug, 13mm/13mm*
#301354-001

