



**3M /10 FT AUTO TILT ALUMINUM PATIO UMBRELLA
ITM./ ART. 1031592,1500164,1500170,1500175,1500180**

ASSEMBLY INSTRUCTIONS

IMPORTANT, RETAIN FOR FUTURE REFERENCE: READ CAREFULLY



**For customer service in the US and Canada, call: 1-877-730-1583, 9:00AM - 5:00PM EST,
Monday – Friday, English and French spoken or visit proshade.com.**

CAUTION:

The umbrella should be lowered and secured in windy conditions or when not in use.

Keep all flame and heat sources away from this umbrella.

CARE INSTRUCTION:

FRAME: To clean, use a mild detergent and warm water on the frame. Do not use abrasive materials or cleaners.

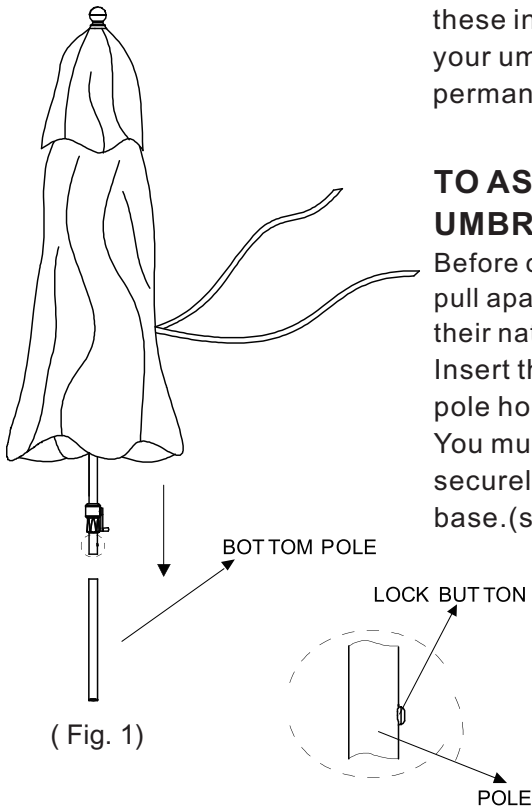
CANOPY: Wash with a mild solution of soap and water. Rinse thoroughly and drip-dry in an open position.

IMPORTANT INFORMATION:

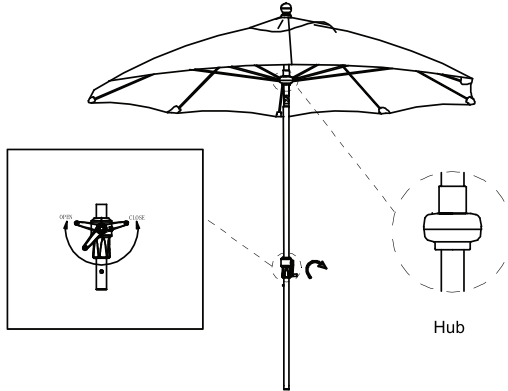
Umbrella ribs may compress during shipping. Please read these instructions before opening your umbrella to avoid causing permanent damage.

TO ASSEMBLE THE UMBRELLA:

Before opening your umbrella, gently pull apart and separate the ribs into their natural, open position. Insert the bottom pole into the upper pole housing and lock into place. You must have your umbrella securely fastened into an umbrella base. (sold separately)



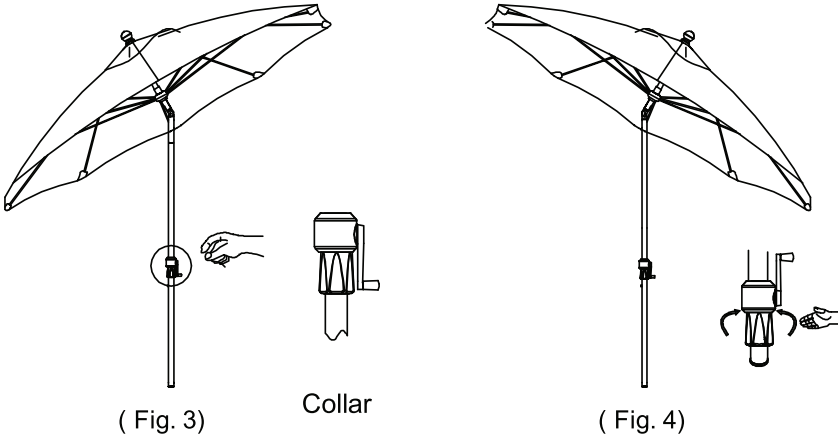
TO OPEN THE UMBRELLA



(Fig. 2)

Turn the crank handle clockwise and continue to turn until the hub has reached the stop ring. At that time, the umbrella is fully open and ready to use.

TO TILT AND ROTATE THE UMBRELLA



(Fig. 3)

Collar

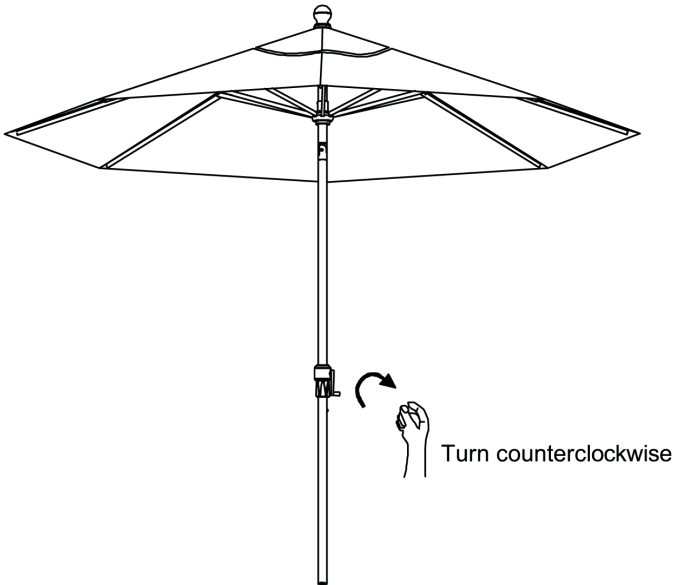
(Fig. 4)

Keep turning the crank to tilt the umbrella after the umbrella is fully opened. Pull down and turn the collar in order to easily rotate the umbrella 360 degrees. Stop at the desired position, release collar, and the umbrella firmly locks in place.

Caution: Make sure the umbrella is fully tilted. If left in a half-tilted position, any wind will bring the umbrella back to upright position.

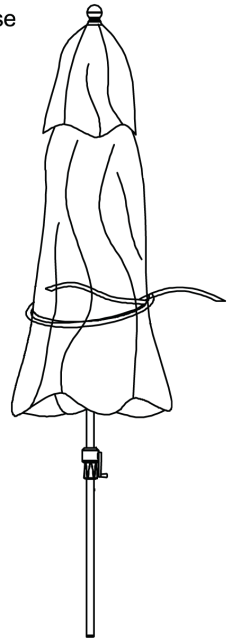
TO CLOSE THE UMBRELLA

Turn the crank handle counterclockwise until umbrella is fully closed. Use tie straps to secure umbrella canopy.



(Fig. 5)

Caution: If you continue to crank counter-clockwise after the umbrella is closed, the umbrella will start to open again. It is possible to open the umbrella by turning the crank in a counter-clockwise direction. However, the umbrella will not stay open when the crank is turned in a counter-clockwise direction. The locking mechanism that keeps the umbrella up only works when the crank is turned clockwise.



(Fig.6)

**3M /10 FT AUTO TILT ALUMINUM PATIO UMBRELLA
LETTER OF WARRANTY
ITM./ ART. 1031592,1500164,1500170,1500175,1500180**

Please be advised that the manufacturer provides a one-year warranty, that the 3 m / 10 ft / 10 pi Auto-Tilt Aluminum Patio Umbrella will be free from defects in the original materials and workmanship.

Frames

Frames are warranted to be free from defects in materials and workmanship for a period of one year. Damage to frames or welds due to improper assembly or exposure to water and sub-freezing temperatures is not covered. (Do not allow water to accumulate inside frames.)

Finish

The finish is warranted against peeling, cracking, or blistering for a period of one year, provided the unit has not been scratched or abraded. Scratches and chips resulting from abnormal wear and tear are not covered. Fading resulting from exposure to elements is not covered.

Fabric

Fabric is warranted for a period of one year against separation at the seams. Fading or discoloration resulting from exposure to the elements, chemicals, or from spills is not covered.

Note: All operation should be according to instruction manual.

*This warranty DOES NOT COVER the following items:

Failure caused by unreasonable or abusive use, failure caused by neglect of reasonable and necessary care, acts of nature (including but not limited to wind, hurricanes, tornadoes, and storms) are not covered by this warranty. **The product is not covered by this warranty after one year from the date of purchase.**

AUSTRALIA: Our goods come with guarantees that cannot be excluded under the Australian Consumer Law. You are entitled to a replacement or refund for a major failure and for compensation for any other reasonably foreseeable loss or damage. You are also entitled to have the goods repaired or replaced if the goods fail to be of acceptable quality and the failure does not amount to a major failure.

DISTRIBUTED BY :
COSTCO WHOLESALE CORPORATION
P.O. BOX 34535
SEATTLE, WA 98124-1535
USA
1-800-774-2678
WWW.COSTCO.COM

IMPORTED BY :
COSTCO WHOLESALE UK LTD /
COSTCO ONLINE UK LTD
HARTSPRING LANE
WATFORD, HERTS
WD25 8JS
UNITED KINGDOM
01923 213113
WWW.COSTCO.CO.UK

DISTRIBUTED BY :
COSTCO WHOLESALE ICELAND EHF.
KAUPTUN 3-7, 210 GARDABAER
ICELAND
WWW.COSTCO.IS

IMPORTED BY :
COSTCO WHOLESALE JAPAN LTD.
3-1-4 IKEGAMI-SHINCHO
KAWASAKI-KU, KAWASAKI-SHI,
KANAGAWA 210-0832 JAPAN
044-281-2600
WWW.COSTCO.CO.JP

IMPORTED BY / IMPORTÉ PAR :
COSTCO WHOLESALE CANADA LTD.*
415 W. HUNT CLUB ROAD
OTTAWA, ONTARIO
K2E 1C5, CANADA
1-800-463-3783
WWW.COSTCO.CA
* faisant affaire au Québec sous
le nom Les Entrepôts Costco

IMPORTADO POR :
COSTCO WHOLESALE SPAIN S.L.U.
POLIGONO EMPRESARIAL LOS GAVILANES
C/ AGUSTÍN DE BETANCOURT, 17
28906 GETAFE (MADRID) ESPAÑA
NIF: B86509460
900 111 155
WWW.COSTCO.ES

IMPORTED BY :
COSTCO WHOLESALE AUSTRALIA PTY LTD
17-21 PARRAMATTA ROAD
LIDCOMBE NSW 2141
AUSTRALIA
WWW.COSTCO.COM.AU

IMPORTADO POR :
IMPORTADORA PRIMEX S.A. DE C.V.
BLVD. MAGNOCENTRO NO. 4
SAN FERNANDO LA HERRADURA
HUIXQUILUCAN, ESTADO DE MEXICO
C.P. 52760
RFC: IPR-930907-S70
(55)-5246-5500
WWW.COSTCO.COM.MX

DISTRIBUÉ PAR :
COSTCO FRANCE
1 AVENUE DE BRÉHAT
91140 VILLEBON-SUR-YVETTE
FRANCE
01 80 45 01 10
WWW.COSTCO.FR

IMPORTED AND DISTRIBUTED BY :
COSTCO WHOLESALE KOREA, LTD.
40, ILJIK-RO
GWANGMYEONG-SI
GYEONGGI-DO, 14347, KOREA
1899-9900
WWW.COSTCO.CO.KR

IMPORTED BY / MANUFACTURED FOR :
COSTCO PRESIDENT TAIWAN, INC.
NO. 656 CHUNG-HWA 5TH ROAD
KAOHSIUNG, TAIWAN
COMPANY TAX ID: 96972798
0800-885-889
WWW.COSTCO.COM.TW

MADE IN CHINA / FABRIQUÉ EN CHINE / HECHO EN CHINA