

Gourmia®



AIR FRYER

Model# GAF-680

USER MANUAL

Read this manual thoroughly
before using and save it for
future reference

FOR CUSTOMER SERVICE
QUESTIONS OR COMMENTS
VISIT US @ GOURMIA.COM
INFO@GOURMIA.COM
OR CALL 888.552.0033

Model: GAF-680
© 2018 Gourmia
www.gourmia.com
The Steelstone Group
Brooklyn, NY

All rights reserved. No portion of this manual may be reproduced by any means whatsoever without written permission from The Steelstone Group, except for the inclusion of quotations in a media review.

Although every precaution has been taken in the preparation of this manual, The Steelstone Group assumes no responsibility for errors or omissions. Nor is any liability assumed for damages resulting from the use of the information contained herein. Although every effort has been made to ensure that the information contained in this manual is complete and accurate, The Steelstone Group is not engaged in rendering professional advice or services to the individual consumer; further, The Steelstone Group shall not be held responsible for any loss or damage allegedly arising from any information or suggestion in this manual.



Welcome to the Exciting World of *Air Frying* **from Gourmia**

Congratulations on your purchase of the Air Fryer from Gourmia, exclusively designed for healthier cooking!

If you are one of those people who enjoy the great crisp and crunchy goodness of fried foods, yet shy away from unhealthy foods - you've made the right choice.

With your new Gourmia Air Fryer, preparing fresh and healthy air fried foods is only moments away. We're confident that you'll find your new Gourmia Air Fryer easy and fun to use, with the end results being a great tasting and healthy treat.

The pages of this manual offer comprehensive instructions to guide you through the functions and features of the Gourmia Air Fryer. Inside, you will also find information on its modes of operation, complete step-by-step instructions for the operation, assembly, cleaning, and maintenance of your appliance.

Please read all safety instructions thoroughly to ensure safe usage at all times.

Thank you for your purchase. We sincerely hope you will enjoy this as well as all the many innovative products brought to you by Gourmia.

IMPORTANT SAFEGUARDS

Before using the electrical appliance, the following basic precautions should always be followed:

1. This appliance is not intended for use by persons (including children younger than 8) with reduced physical, sensory or mental capabilities, or lack of experience and knowledge, unless they have supervision.
2. Check if the voltage indicated on the appliance corresponds to the local main voltage before you connect the appliance.
3. Do not use the appliance if the plug, the main cord or the appliance itself is damaged. Always make sure that the plug is inserted properly into a wall outlet.
4. Do not operate any appliance with a damaged cord or plug or after the appliance malfunctions, or has been damaged in any manner. Return appliance to the nearest authorized service facility for examination, repair or adjustment.
5. Close supervision is necessary when any appliance is used by or near children. Children should be supervised to ensure that they do not play with the appliance. Cleaning and user maintenance shall not be done by children unless they are older than 8 and supervised.
6. Do not let the cord hang over the edge of the table or counter or touch hot surfaces.
7. To protect against electric shock do not immerse cord, plugs, or appliance in water or other liquid. Do not plug in the appliance or operate the control panel with wet hands.
8. Never connect this appliance to an external timer switch or separate remote-control system in order to avoid a hazardous situation. To disconnect, turn off the appliance, then remove plug from wall outlet.
9. Do not place the appliance on or near combustible materials such as a tablecloth or curtain. The accessible surfaces may become hot during use. Do not place on or near a hot gas or electric burner, or in a heated oven.
10. Do not place the appliance against a wall or against other appliances. Leave at least 4 inches of free space on the back and sides and 4 inches of free space above the appliance. Do not place anything on top of the appliance.
11. Do not use the appliance for any other purpose than described in this manual. The use of accessory attachments not recommended by the appliance manufacturer may cause injuries.
12. Do not let the appliance operate unattended. Extreme caution must be used when moving an appliance containing hot oil or other hot liquids.
13. Do not use outdoors.
14. Do not touch the hot surfaces; use handle. During hot air frying, hot steam is released through the air outlet openings. Keep your hands and face at a safe distance from the steam and from the air outlet openings. Also be careful of hot steam and air when you remove the pan from the appliance.
15. After using the appliance, avoid contact with the hot metal inside. Unplug from outlet when not in use and before cleaning. Allow to cool before cleaning the appliance.
16. Immediately unplug the appliance if you see dark smoke coming out of the appliance. Wait for the smoke emission to stop, before you remove the pan from the appliance.
17. For household use only.

SAVE THESE INSTRUCTIONS

TABLE OF CONTENTS

Know Your Air Fryer.....6

Using Your Air Fryer8

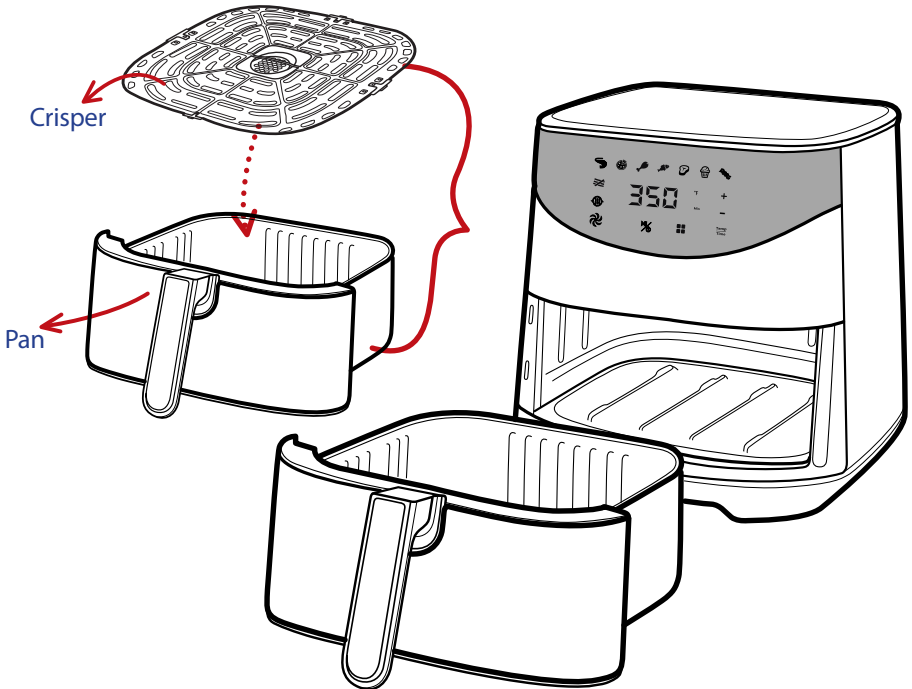
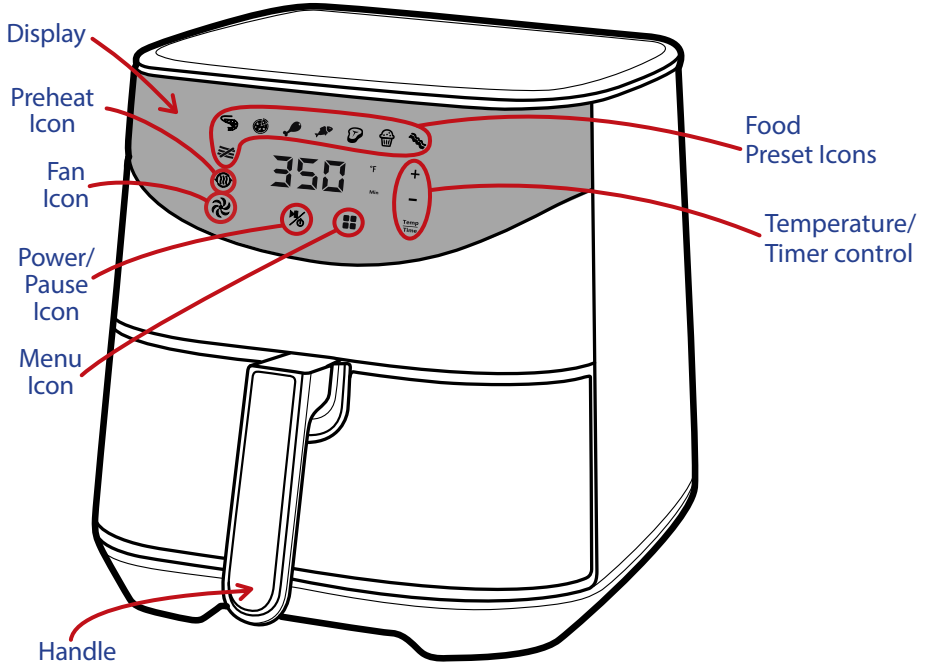
Troubleshooting.....11

Air Frying Tips 12

Settings Chart..... 13

Cleaning & Maintenance.....14





ICON LEGEND

 FRENCH FRIES

 SHELLFISH


 PIZZA

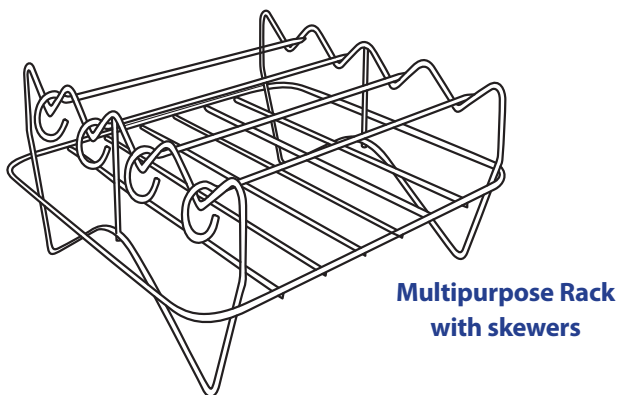
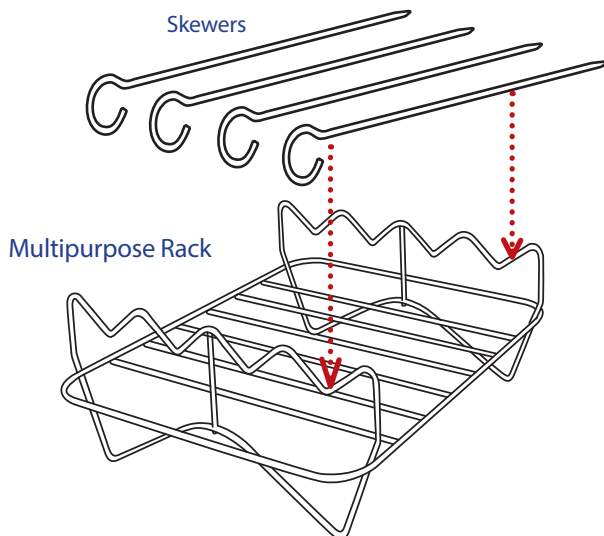
 POULTRY

 FISH

 STEAK

 CAKE

 BACON



Note: You can use the multipurpose rack for additional cooking space, as a raised cooking surface, or cooking with skewers.

Before Using The Air Fryer For The First Time

1. Remove all packaging material. Remove any stickers or labels from the appliance- including the tape securing the pan to the unit.
2. To pull out the pan for cleaning, remove the tape securing it into place. Secure the unit with one hand and pull the handle straight back with the other hand.
3. Thoroughly clean the pan and accessories with hot water, some dishwashing liquid and a non-abrasive sponge.
4. Wipe the inside and outside of the appliance with a moist cloth.



Note: During the first few times of using your new Air Fryer there might be a “hot plastic” smell. This is perfectly normal in new Air Fryers as the material is heated for the first time. It will go away after the first few uses.

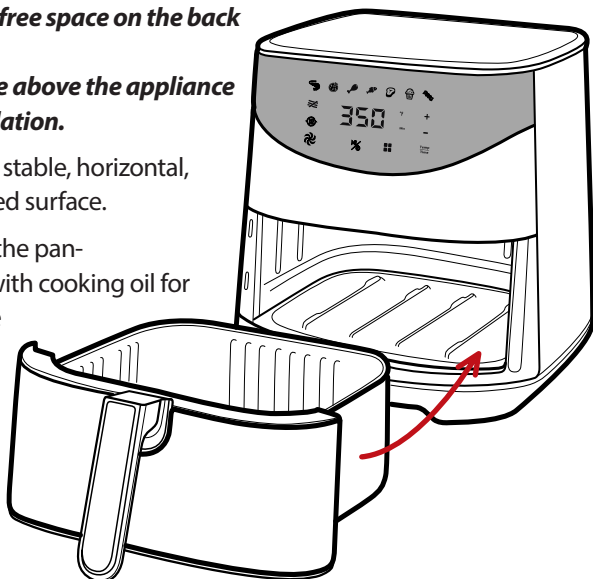
Using Your Air Fryer

This is an air fryer that works on hot air.

- Do not fill the pan with oil, frying fat, or any other liquid.
- Do not put anything on top of the appliance.

Note: Do not place the appliance against a wall or against other appliances. It is important to leave at least 4 inches of free space on the back and sides, and 4 inches of free space above the appliance to allow for proper ventilation.

1. Place the appliance on a stable, horizontal, heat-resistant, and leveled surface.
2. Place the ingredients in the pan- do not overload. Spray with cooking oil for a crispier finish. Slide the pan into the air fryer.
3. Plug the Air Fryer into an electrical wall outlet.



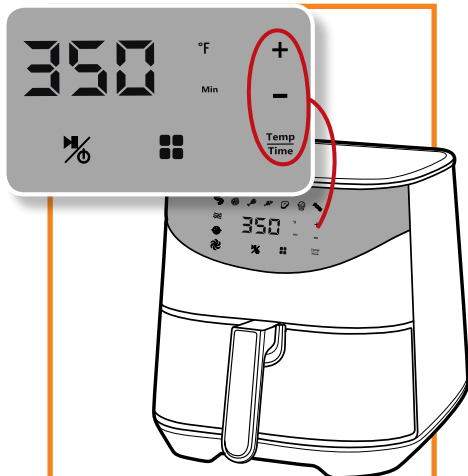


4. To turn on the appliance tap the power icon.

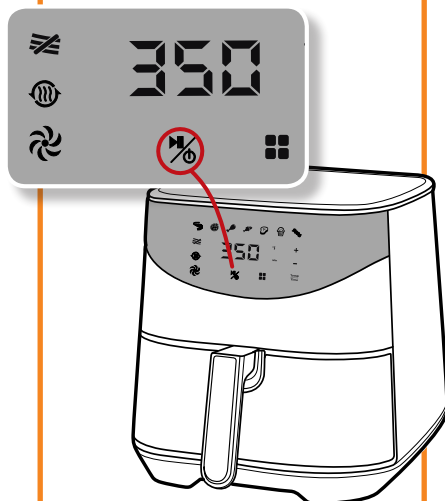


5. To select a preset, tap the menu icon, until desired food icon appears. The temperature and time will appear on the screen.

NOTE: Press the preheat icon (⌚) to add 3 minutes to the preparation time to preheat the air fryer. When cooking multiple batches only preheat before first batch.



6. To set the temperature and time manually or to adjust the preset temperature or time, tap the +/- icons. Tap Temp/Time to alternate between setting temperature and time.



7. To begin the air frying process tap the power icon.

8. Some recipes or ingredients call for shaking the ingredients halfway through the preparation time (see 'Settings Chart' on page 13).
To shake the ingredients, pull the pan out of the appliance by the handle and shake it. Then slide the pan back into the air fryer to resume cooking.

Note: After sliding the pan out of the appliance, the display unit will go into sleep mode, when you return the pan to the appliance, your time and temperature settings will automatically resume. There is no need to reset your settings or press start.

9. When your selected cooking time has elapsed the timer bell ring. Pull the pan out of the appliance and place it on a heat-resistant surface. If you would like a little more cooking time on the food, simply slide the pan back into the appliance and set the timer for a few extra minutes.

10. When your food is ready empty the pan into a bowl or onto a plate using a pair of tongs; the food and pan will be hot!

NOTE: Do not turn the pan upside down, as any excess oil that has collected on the bottom of the pan will leak onto the ingredients.

NOTE: To avoid scratching the nonstick surface do not use sharp or metal utensils.



11. When a batch of ingredients is ready, the air fryer is instantly ready for preparing another batch. No preheating is necessary.

Note: To pause the air fryer, tap the power/pause icon. Tap it again to resume.

To turn off the air fryer, press and hold the power icon. The air fryer may cool down for 20 seconds before shutting off.

Tip: After hot air frying, the pan and the ingredients are hot - avoid touching. Depending on the type of the ingredients in the air fryer, steam may escape from the pan.

PROBLEM	POSSIBLE CAUSE	SOLUTION
The air fryer does not work.	The appliance is not plugged in.	Plug the main plug into a grounded wall socket.
	You have not set the timer.	Tap the timer icon to set the required preparation time to turn on the appliance.
	The pan is not put into the appliance properly.	Slide the pan into the appliance properly.
The ingredients fried in the air fryer are not done.	The amount of ingredients in the pan are too much.	Put smaller batches of ingredients in the pan. Smaller batches are fried more evenly.
	The set temperature is too low.	Tap the temperature icon to set the required temperature setting. (see 'Settings Chart' on page 13).
	The preparation time is too short.	Tap the timer icon to set the required preparation time. (see 'Settings Chart' on page 13).
The ingredients are fried unevenly in the air fryer.	Certain types of ingredients need to be shaken halfway through the preparation time.	Ingredients that lie on top of or across each other (e.g.fries) need to be shaken halfway through the preparation time. (see 'Settings Chart' on page 13).
Fried snacks are not crispy when they come out of the air fryer.	You used a type of snack meant to be prepared in a traditional deep fryer.	Use oven snacks or lightly brush some oil onto the snacks for a crispier result.
I cannot slide the pan into the appliance properly.	The pan is overfilled.	Do not fill the pan beyond max line (see 'Settings Chart' on page 13).
White smoke comes out of the appliance.	You are preparing greasy ingredients.	When you fry greasy ingredients in the air fryer, a large amount of oil will leak into the pan. The oil produces white smoke and the pan may heat up more than usual. This does not affect the appliance or the end result.
	The pan still contains grease residues from previous use.	White smoke is caused by grease heating up in the pan. Make sure you clean the pan properly after each use.
Fresh fries are fried unevenly in the air fryer.	Quality potatoes will give an even cook.	Use fresh potatoes and make sure they stay firm during frying.
	Rinse the potato sticks properly before you fry them.	Rinse the potato sticks properly to remove starch from the outside of the sticks.
Fresh fries are not crispy when they come out of the air fryer.	The crispiness of the fries depends on the amount of oil and water in the fries.	Make sure you dry the potato sticks properly before you add the oil. Cut the potato sticks smaller for a crispier result. Add slightly more oil for a crispier result.

AIR FRYING TIPS

- Smaller ingredients usually require a slightly shorter preparation time than larger ingredients.
- Shaking smaller ingredients halfway through the preparation time optimizes the end result and can help prevent unevenly fried ingredients.
- Add 1 Tablespoon of oil to fresh potatoes for a crispy result. Fry your ingredients in the air fryer within a few minutes after you add the oil.
- Do not prepare extremely greasy ingredients such as sausages in the air fryer.
- Snacks that can be prepared in an oven can also be prepared in the air fryer.
- Use pre-made dough to prepare filled snacks quickly and easily. Pre-made dough also requires a shorter preparation time than home-made dough.
- Place a baking tin or oven dish in the air fryer pan if you want to bake a cake or quiche or if you want to fry fragile or filled ingredients.

Note: Because the rapid hot air technology instantly reheats the air inside the appliance, pulling the pan out of the appliance during use, for a short amount of time, will not effect the process.

Tip: If you set the timer to half the preparation time, your timer will ring when you have to shake the ingredients. However, this means that you have to set the timer again to the remaining preparation time after shaking. (see 'Settings Chart' on page 13).

Tip: If you set the timer to full preparation time, there is no timer bell during cooking. Before finishing, you can pull out the pan at any time to check the ingredients cooking condition. The power will shut down automatically and, will only resume after you slide the pan back into the appliance (timer always counts down in this situation).

- **Do not turn the pan upside down, as any excess oil that has collected on the bottom of the pan will leak onto the ingredients.**
- **Do not touch the pan, crisper, rack and skewers after use. Depending on the type of the ingredients in the air fryer, steam may escape from the pan.**

SETTINGS CHART

(The chart below are the basic settings for preparing your food.)

The settings below are only indications-as ingredients differ in origin, size, shape as well as brand, we cannot guarantee the best setting for your ingredients.

	Portion	Time (min.)	Temperature	Shake	Extra information
POTATOES & VEGETABLES					
Thin frozen fries	7 oz.	8-12	400	shake every 5 min.	
Thick frozen fries	7 oz.	8-15	400	shake every 5 min.	
Frozen onion rings	10 oz.	8-14	400		
Roasted zucchini	2 oz. or 6 slices	16-10	400	flip halfway	spray with oil
Roasted broccoli and peppers	4 oz.	5-10	400	shake	spray with oil
Fresh thin fries	5 oz.	8-12	400	shake every 5 min.	spray with oil
Fresh thick fries	5 oz.	10-20	400	shake every 5 min.	spray with oil
Fresh hash browns	2 oz.	20-25	350		
MEAT & FISH					
Frozen chicken fingers	11 oz.	10-20	400	toss halfway	
Frozen fishsticks	10.5 oz.	10-20	400	toss halfway	
Fresh fish fillet	2-4 oz.	10-15	350	flip halfway	
Steaks (medium)	3.2 oz.	10-15	320	flip halfway	
Chicken breasts	1 Breast	20-25	350	flip halfway	
Chicken wings	3-7 Wings	20-30	350	flip halfway	
Chicken legs	1 Leg	20-25	350	flip halfway	
Chicken thigh	1 Thigh	20-25	350	flip halfway	
Hamburger	2 Burgers	10-20	350	flip halfway	
BAKING					
Cake	10 oz.	20-25	350		
Muffins	2 Oz.	10-20	350	pour batter into paper muffin cups	

Air fryers perform similar to ovens. If your dish is not on the list, please refer to oven instructions on item packaging or recipe.

CLEANING AND MAINTENANCE

- Clean the appliance after every use.
- Make sure the appliance is completely cooled off before cleaning.
- Do not use metal kitchen utensils or abrasive cleaning material to clean the pan and crisper, as this may damage the non-stick coating.



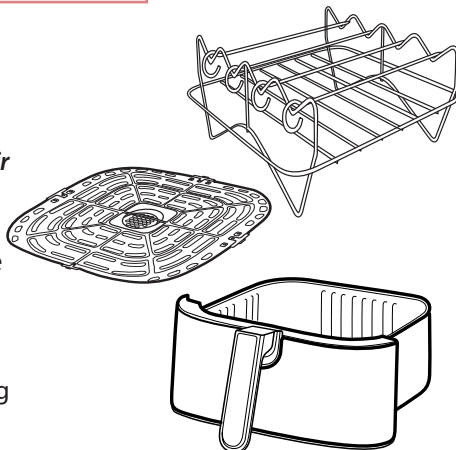
1. Remove the main plug from the wall outlet and let the appliance cool down.

Note: Remove the pan from the air fryer to let the air fryer cool down quicker.

2. Wipe the outside of the appliance with a moist cloth.
3. Clean the pan, crisper, multipurpose rack and skewers with hot water, some dishwashing soap and a non-abrasive sponge.

Tip: If dirt is stuck to the bottom of the pan, fill the pan with hot water and some dishwashing soap and let the pan soak for approximately 10 minutes.

4. Clean the inside of the air fryer with hot water and a cleaning brush to remove any food residue.



STORAGE

- Unplug the appliance and let it cool down.
- Make sure all parts are clean and dry.
- Store the air fryer in a clean and dry place.

Environment

Do not throw away the appliance with the normal household waste at the end of its life, but hand it in at an official collection point for recycling. By doing this, you help to preserve the environment.

Guarantee and service

If you need service or information or if you have a problem, please visit our website or contact your distributor.

WARRANTY & SERVICE

This Limited Warranty is for one full year from the date of purchase. It is applicable to the original purchaser only and is not transferable to a third party user. Repair or replacement of defective parts is solely at the seller's discretion. In the event that repair isn't possible, the seller will replace the product/part. If product repair/replacement won't suffice, the seller has the option of refunding the cash value of the product or component returned.

Product defects not covered under the Warranty provisions include normal wear and damage incurred from use or accidental negligence, misuse of instruction specifications or repair by unauthorized parties. The manufacturing company is not liable for any incidental or consequential damages incurred by such circumstances.

**FOR CUSTOMER SERVICE
QUESTIONS OR COMMENTS
VISIT US @ GOURMIA.COM
INFO@GOURMIA.COM
OR CALL 888.552.0033**

Gourmia®