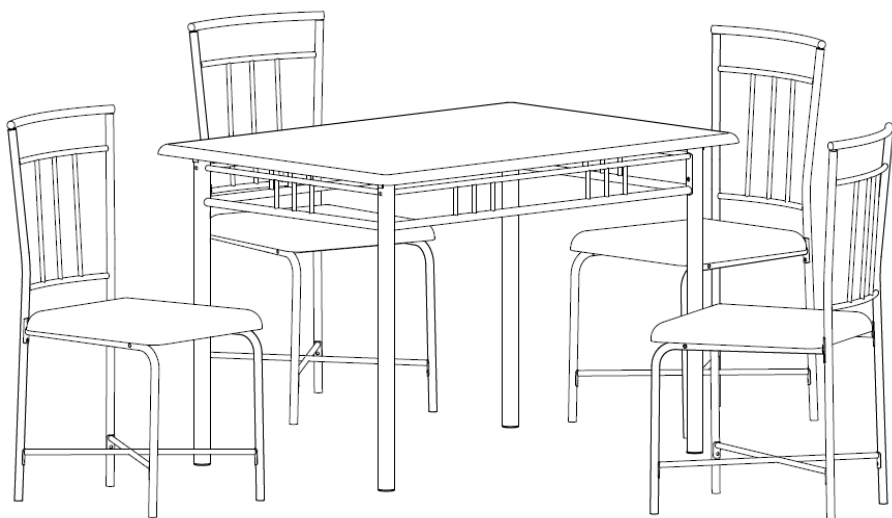


5-PIECE WOOD & METAL DINING SET

**Model No:**

WM275P2CGL-DC (Natural)

WM 275E-CGL (Deep Walnut)

WM275ECGL-DC (Deep Walnut)

UPC CODES:

WM275P2CGL-DC : 0-65857-15041-4

WM275E-CGL : 0-65857-15672-0

WM275ECGL-DC : 0-65857-15039-1

NOTE:

THIS INSTRUCTION BOOKLET
CONTAINS **IMPORTANT** SAFETY
INFORMATION. PLEASE READ
AND KEEP FOR FUTURE
REFERENCE.

Lot number:

(TAKEN FROM CARTON)

Date of purchase:

____ / ____ / ____



Watch our instructional video for
more information on how to
assemble your new furniture:

DorelLiving.com/5pcDining

DO NOT RETURN PRODUCT TO THE STORE.

If a part is missing or damaged, contact our
customer service department. We will replace the
part **FREE** of charge.



Tel #: 1-800-295-1980

E-Mail: das@dorel.com

Fax #: 514-353-7819

CUSTOMER SERVICE

If you are missing parts or have any questions about this product, contact our customer service representative first!



CALL 1-800-295-1980

You can also order parts by writing to the address listed below. Please include the product model number, color and a detailed description of the part.

**Customer Service Department No. 413
12345 Albert-Hudon Boulevard, Suite 100**

Montreal, Quebec

Canada H1G 3L1

E-MAIL: das@dorel.com



WARNING

- * Inspect all parts for damage before assembly. If any parts are damaged or missing, please contact Customer Service for replacement parts. In the case of a damaged table top, the set must be returned to the place of purchase for an exchange.
- * Assembly and handling may require two people.
- * Estimated assembly time is 45 - 60 minutes.
- * To prevent any scratches, please remove all packaging and assemble on a clean, smooth surface.
- * Read all instructions completely before assembling.
- * Do not use power tools.
- * CAUTION: Adult assembly required.
- * Phillips head screw driver is not included.
- * Avoid exposing the wood to any type of moisture or direct heat that could cause damage to the wood.

CARE AND CLEANING

Dust table regularly with a soft, dry cloth to prevent soil build up. A dampened cloth may be used occasionally to clean the surface. Dry immediately and buff lightly, following the grain. Avoid using harsh cleaners and abrasive products.

Use coasters to prevent the formation of moisture rings and trivets to protect from hot items. Cover extension leaves (if applicable) with a soft protective fabric before storing. Do not slide objects across the surface - always lift them.

MAINTENANCE

Check bolts/screws periodically and tighten them if necessary.

LIMITED WARRANTY

Dorel warrants its product to be free from defects in material and workmanship and agrees to remedy any such defect. This warranty covers 1 year from the date of original purchase. This warranty is valid only upon presentation of proof of purchase. This is solely limited to the repair or replacement of defective furniture components and no assembly labor is included. This warranty does not apply to any product which has been improperly assembled, subjected to misuse or abuse or which has been altered or repaired in any way. This warranty gives you specific legal rights and you may also have other rights which vary from State to State.









WARNING: Should this product become damaged, and/or components are broken or missing, DO NOT USE.

5-PIECE WOOD & METAL DINING SET

WM275P2CGL-DC / WM275E-CGL / WM275ECGL-DC

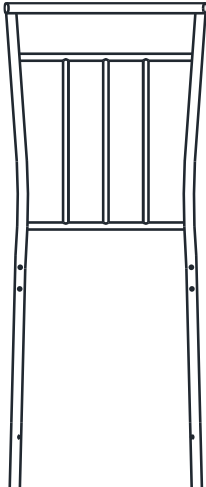
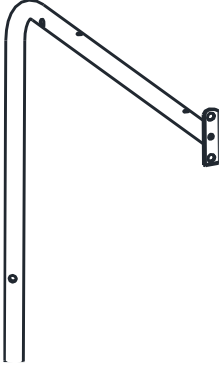
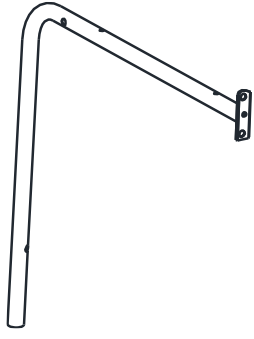

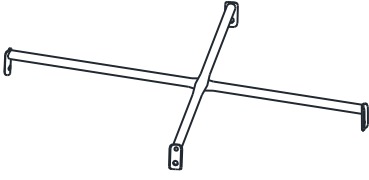
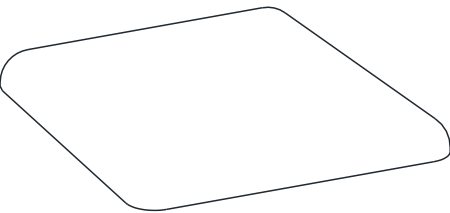
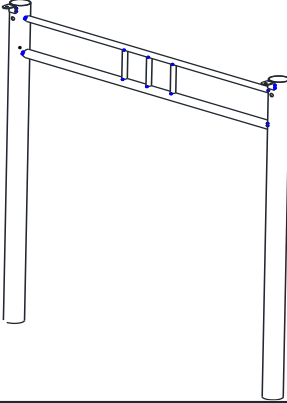
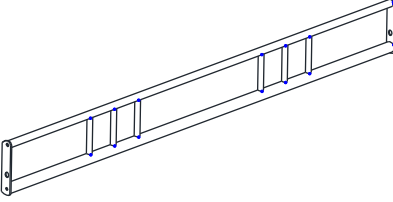
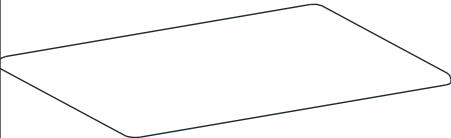
HARDWARE LIST

<p style="text-align: center;">1</p>  <p style="text-align: center;">$\Phi 1/4" \times 1-1/4"$</p>	<p style="text-align: center;">2</p>  <p style="text-align: center;">$\Phi 5/32" \times 1-1/8"$</p>	<p style="text-align: center;">3</p>  <p style="text-align: center;">$\Phi 1/4" \times 1/2"$</p>
<p style="text-align: center;">HEX SOCKET HEAD BOLT 8PCS</p>	<p style="text-align: center;">PHILLIPS COUNTERSINK SCREW -16 PCS</p>	<p style="text-align: center;">HEX SOCKET HEAD BOLT 36 PCS</p>
<p style="text-align: center;">4</p>  <p style="text-align: center;">$\Phi 1/8" \times 5/8"$</p>	<p style="text-align: center;">5</p> 	<p style="text-align: center;">6</p>  <p style="text-align: center;">$\Phi 1/4" \times 2-1/8"$</p>
<p style="text-align: center;">PHILLIPS ROUND HEADSCREW 4 PCS</p>	<p style="text-align: center;">ALLEN KEY 1 PC</p>	<p style="text-align: center;">HEX SOCKET HEAD BOLT 4 PCS</p>

5-PIECE WOOD & METAL DINING SET

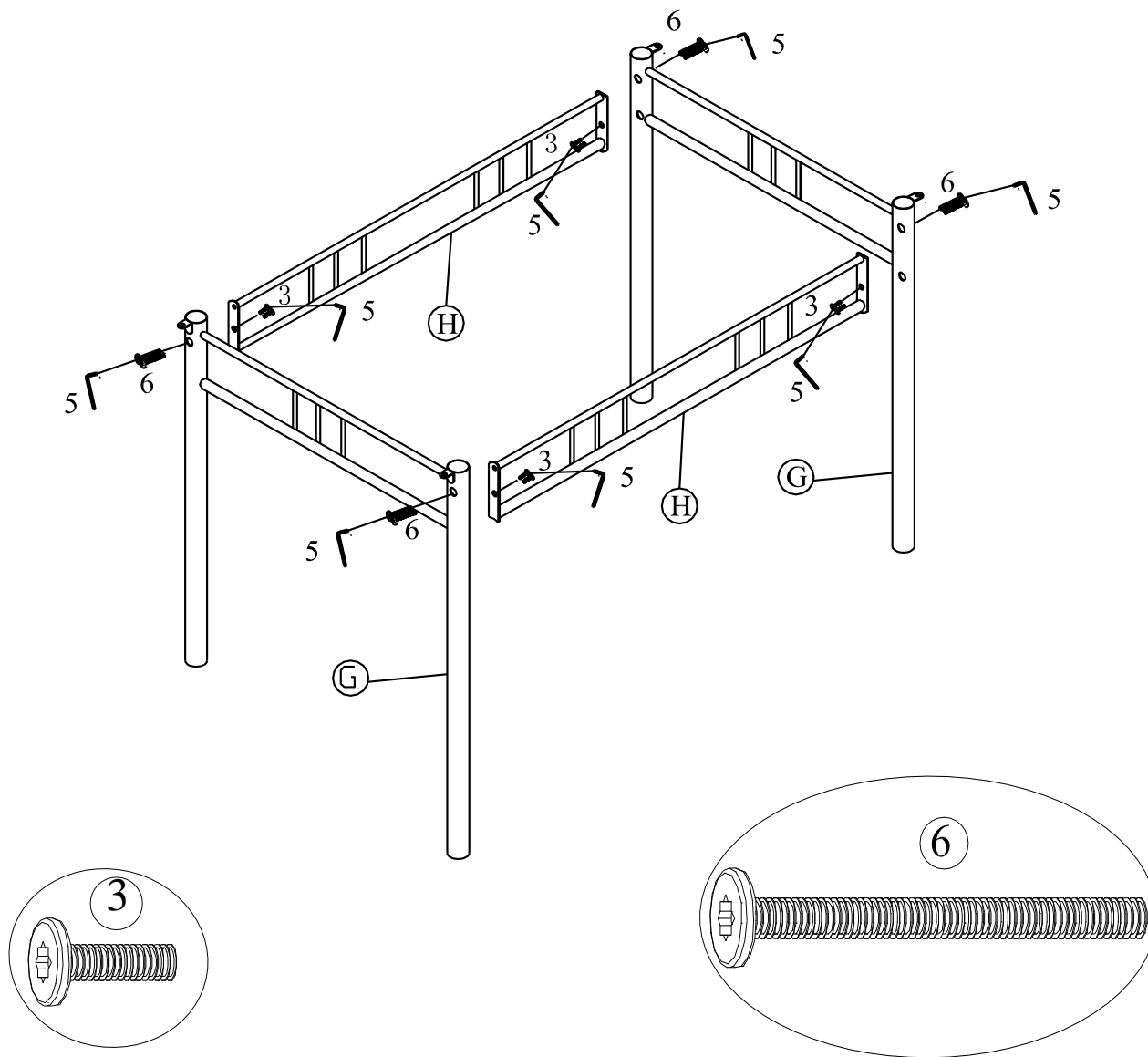
WM275P2CGL-DC / WM275E-CGL / WM275ECGL-DC

PARTS LIST

<p>A</p> 	<p>B</p> 	<p>C</p> 
<p style="text-align: center;">BACK FRAME 4 PCS</p>	<p style="text-align: center;">LEFT LEG 4 PCS</p>	<p style="text-align: center;">RIGHT LEG 4 PCS</p>
<p>D</p> 	<p>E</p> 	<p>F</p> 
<p style="text-align: center;">SEAT SUPPORT 4 PCS</p>	<p style="text-align: center;">TUBE BASE 4 PCS</p>	<p style="text-align: center;">SEAT CUSHION 4 PCS</p>
<p>G</p> 	<p>H</p> 	<p>I</p> 
<p style="text-align: center;">TABLE LEGS 2 PCS</p>	<p style="text-align: center;">APRON 2 PCS</p>	<p style="text-align: center;">TABLE TOP 1 PC</p>

5-PIECE WOOD & METAL DINING SET

WM275P2CGL-DC / WM275E-CGL / WM275ECGL-DC

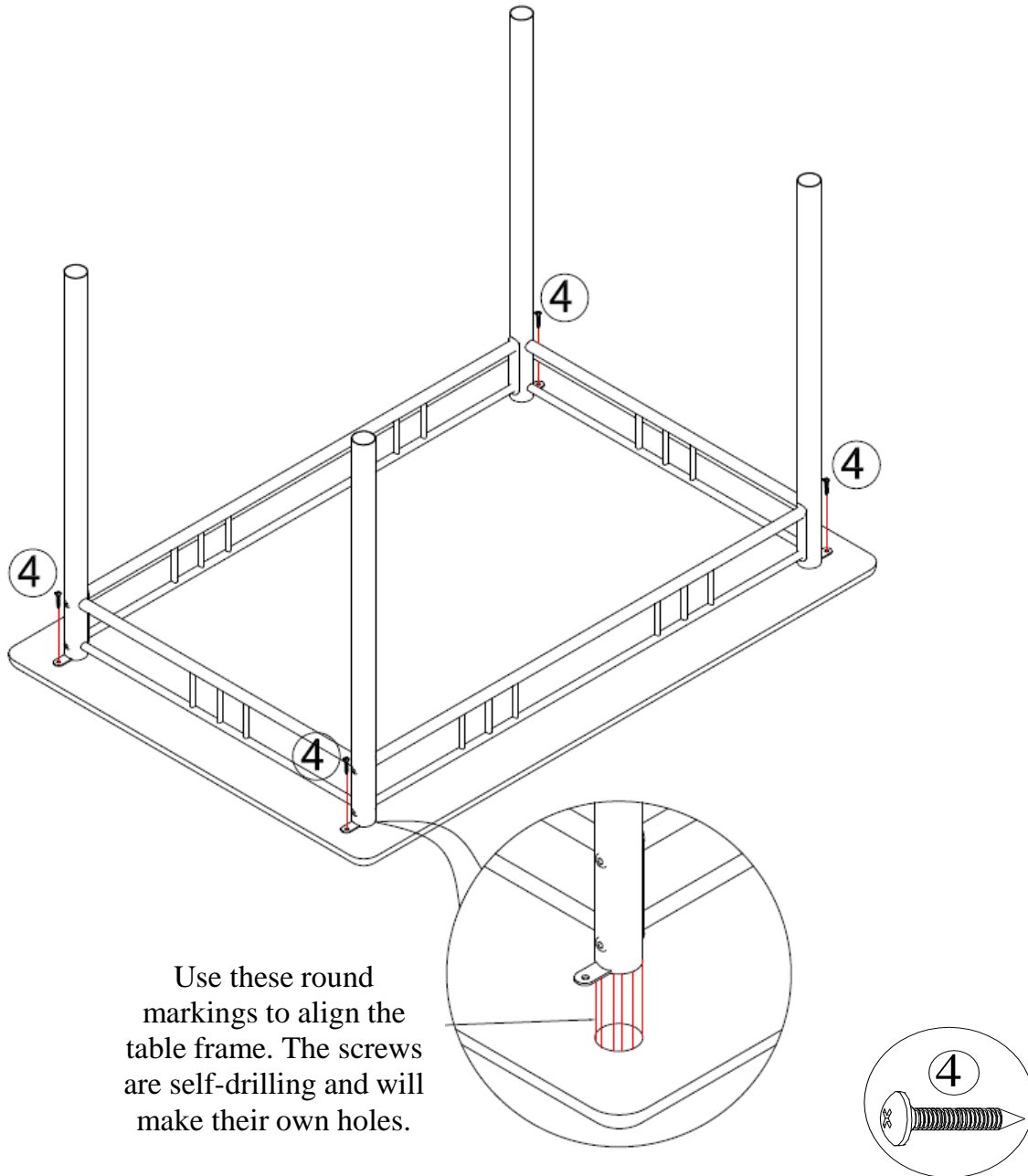


STEP 1

Attach table legs (G) to aprons (H) with hex socket head bolts (6) and (3) as shown. Use Allen key (5) to tighten bolts.

5-PIECE WOOD & METAL DINING SET

WM275P2CGL-DC / WM275E-CGL / WM275ECGL-DC

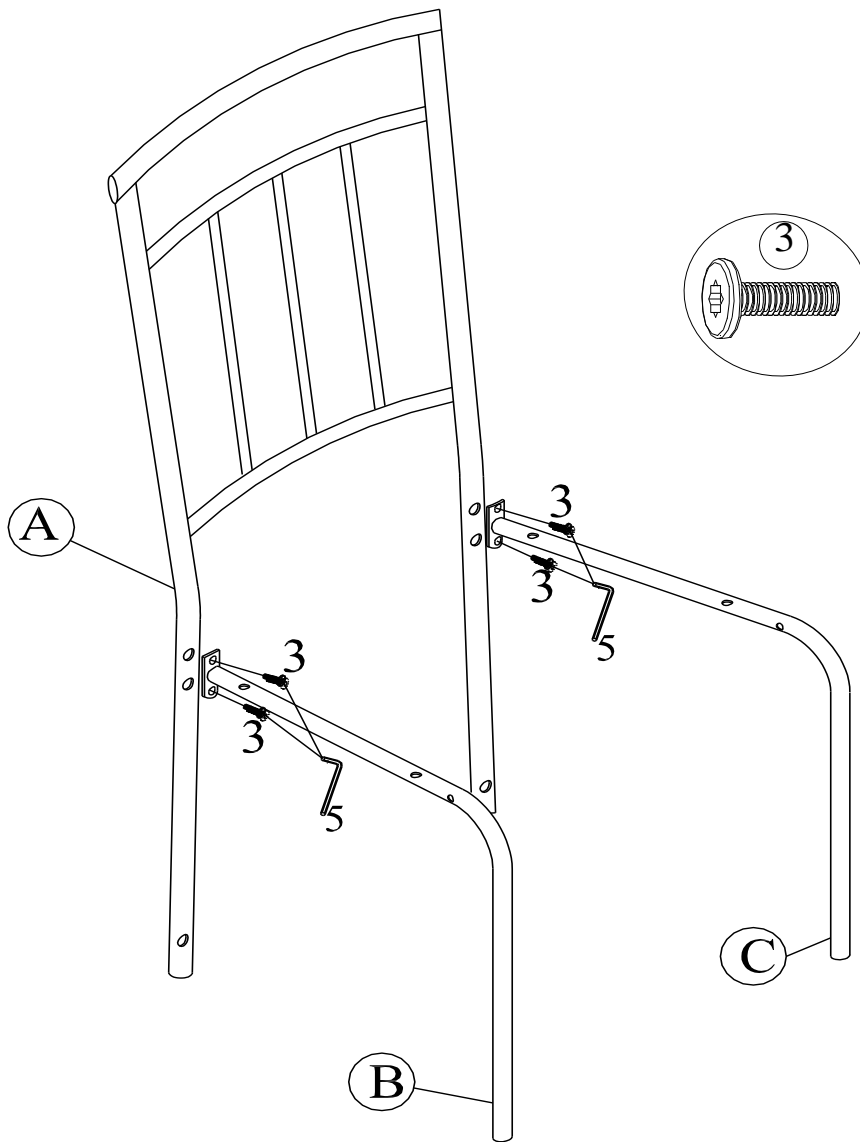


STEP 2

Place the tabletop (I) upside down on a flat, smooth surface. Place previously assembled table frame upside down onto tabletop and center the frame onto it. Use Phillips head screwdriver (not included) to install Phillips round head screws (4).

NOTE: Phillips round head screws (4) will make their own holes. Do not use power tools and do not over tighten screws.

5-PIECE WOOD & METAL DINING SET
WM275P2CGL-DC / WM275E-CGL / WM275ECGL-DC



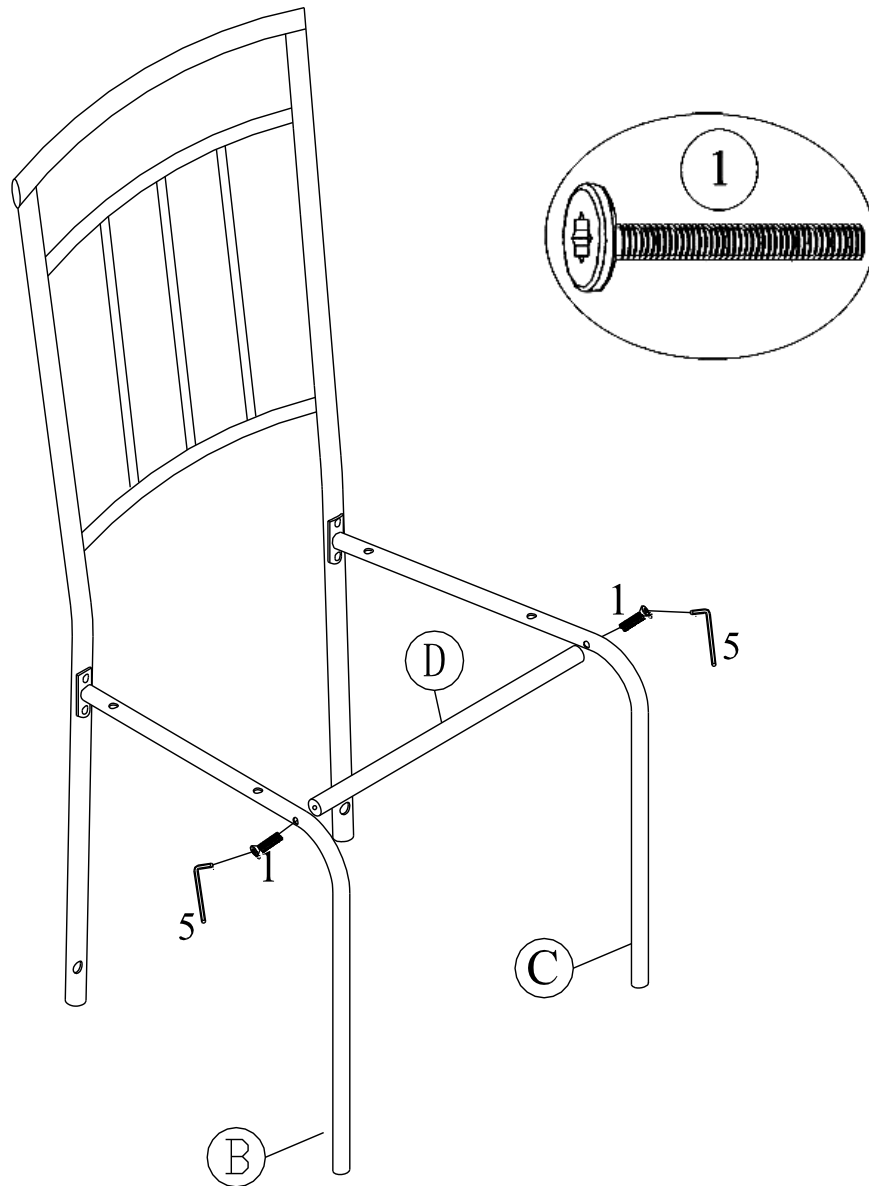
STEP 3

Attach left leg (B) and right leg (C) to the back frame (A) with hex socket head bolts (3). Use Allen key (5) to install bolts.

NOTE: Do not fully tighten bolts. Loose bolts will facilitate assembly in the following steps.

5-PIECE WOOD & METAL DINING SET

WM275P2CGL-DC / WM275E-CGL / WM275ECGL-DC



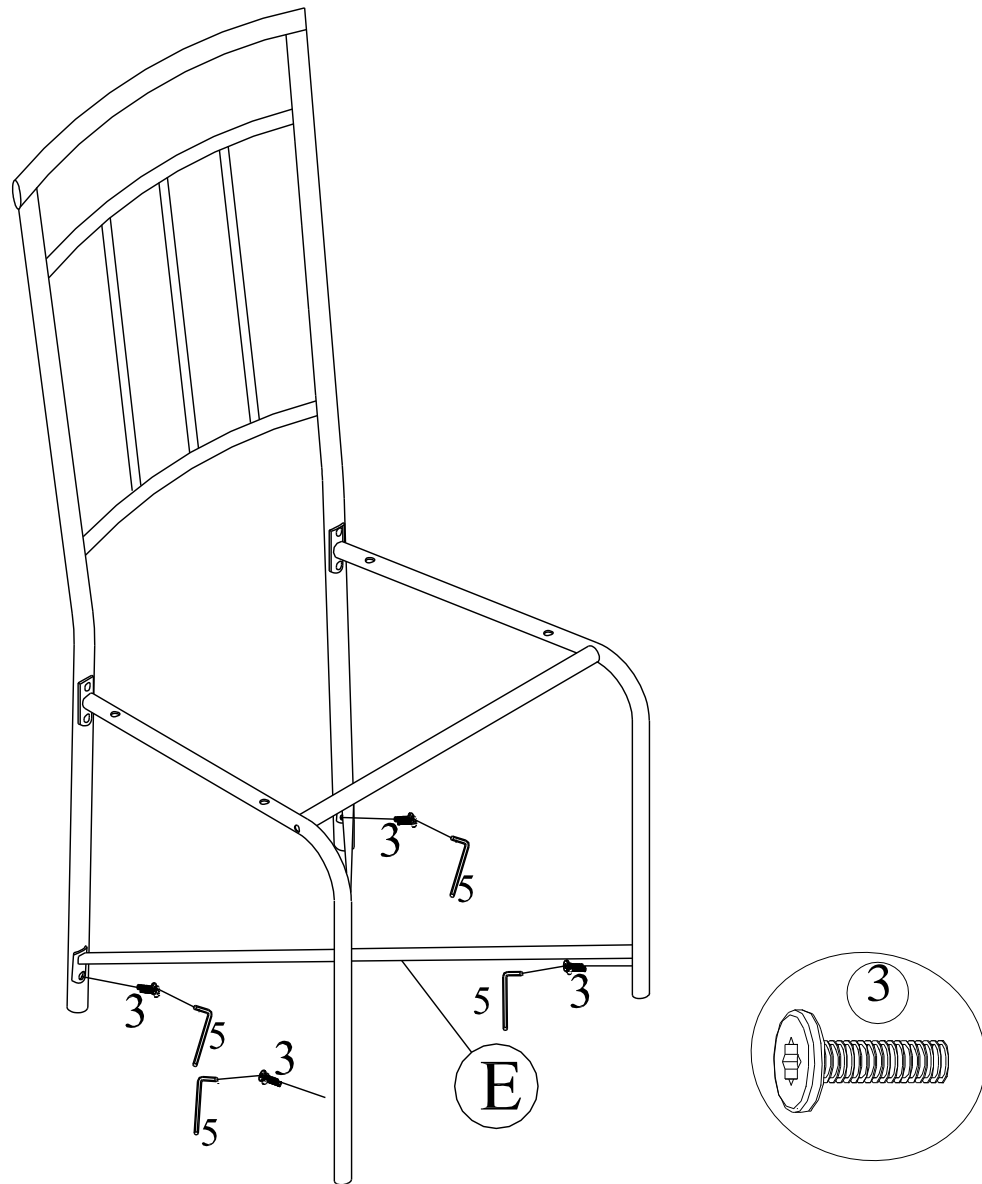
STEP 4

Attach seat support (D) to legs (B) and (C) with hex socket head bolts (1).
Use Allen key (5) to install bolts.

NOTE: Do not fully tighten bolts. Loose bolts will facilitate assembly in the following steps.

5-PIECE WOOD & METAL DINING SET

WM275P2CGL-DC / WM275E-CGL / WM275ECGL-DC



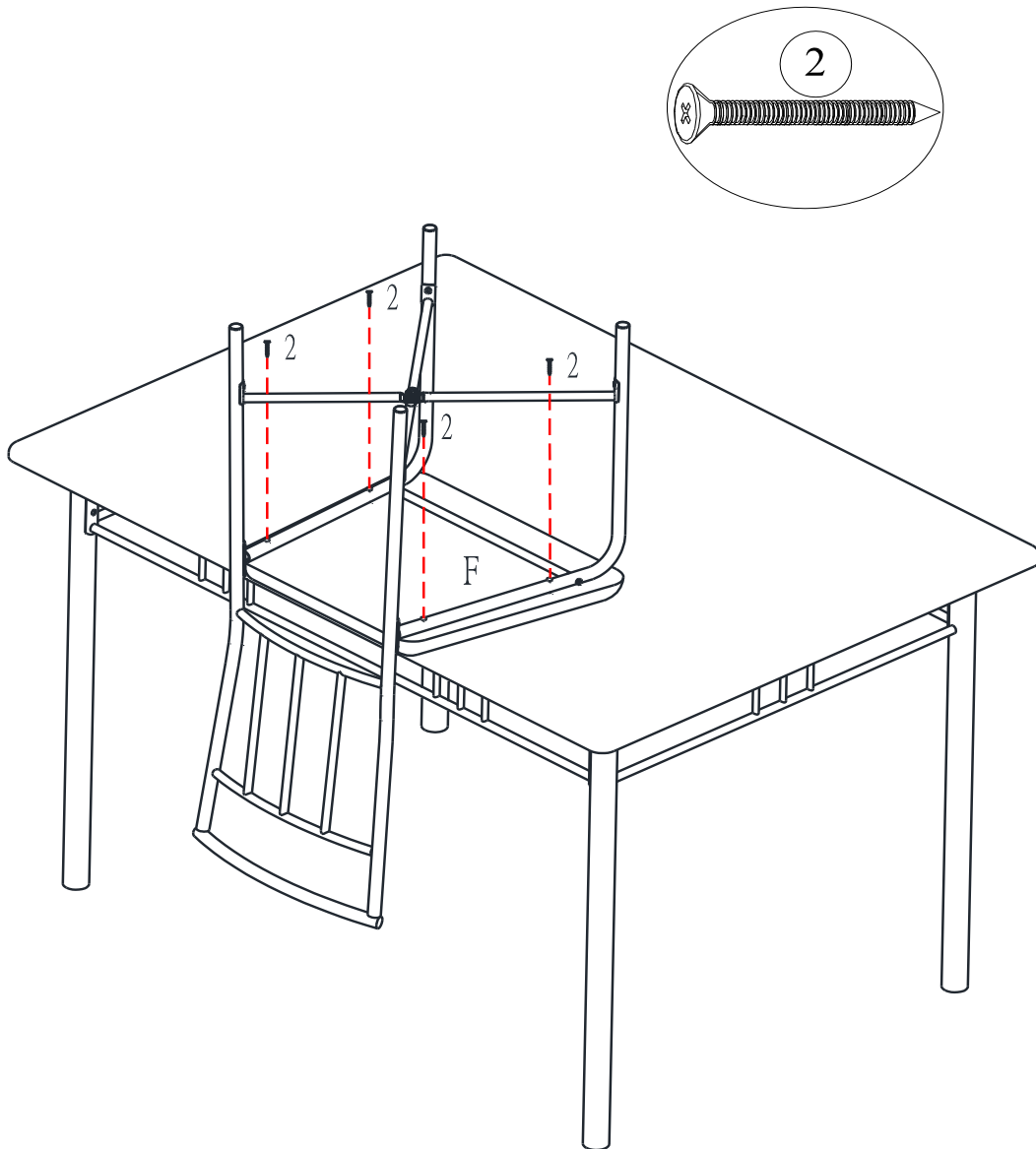
STEP 5

Attach tube base (E) to chair frame with hex socket head bolts (3). Use Allen key (5) to install bolts.

NOTE: The mounting brackets on tube base (E) have to be positioned in a way that they follow the angle with the chair legs. This will dictate whether it is upside down or not. Tighten all bolts previously installed in steps 1, 2 and 3.

5-PIECE WOOD & METAL DINING SET

WM275P2CGL-DC / WM275E-CGL / WM275ECGL-DC



STEP 6

Place seat cushion (F) and chair frame upside down on a smooth, flat surface. Attach seat cushion (F) to chair frame with Phillips countersink head screws (2). Use Phillips head screwdriver (not included) to install screws. Repeat steps 1 through 4 to assemble remaining chairs.

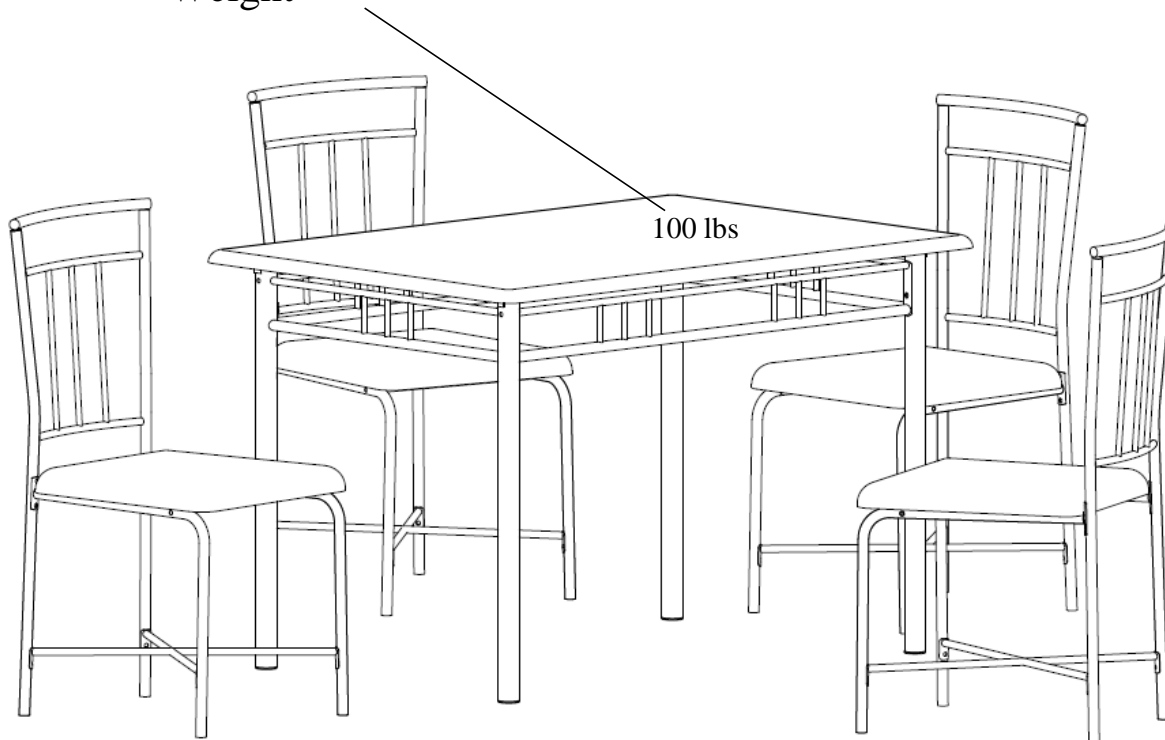
NOTE: Phillips countersink head screws (2) will make their own holes. Do not use power tools and do not over tighten screws.

5-PIECE WOOD & METAL DINING SET WM275P2-CGL / WM275P2CGL-DC / WM275E-CGL



CAUTION: This unit is intended for use only with the products and/or maximum weights indicated. Use with other products and/or products heavier than the maximum weights indicated may result in instability or cause possible injury.

Product Maximum
Weight



That's it ! You've finished assembling your dining set .

DO NOT RETURN PRODUCT TO THE STORE.

If a part is missing or damaged, contact our customer service department. We will replace the part **FREE** of charge.



Tel #: 1-800-295-1980
E-Mail: das@dorel.com
Fax #: 514-353-7819

Customer Service

PLEASE DO NOT RETURN THIS PRODUCT TO THE STORE

PLEASE CONTACT CUSTOMER SERVICE REPRESENTATIVES AT THE FOLLOWING NUMBERS SHOULD THERE BE ANY MISSING OR DEFECTIVE PART(S).

Customer Service Phone Number 1-800-295-1980

Customer Service Fax Number 514-353-7819

Email: das@dorel.com

Request Date:

Name:

Shipping Address:

Street & Number:

City & State:

Zip Code:

Day Time Phone Number:
(including area code)

Date & Place of Purchase:

Part(s) description and quantity: (Please be sure to list model number or SKN number)

Customer Service Representative Mailing Address:

Customer Service Department No. 413, 12345 Albert-Hudon Boulevard, Suite 100, Montreal, QC, Canada, H1G 3L1