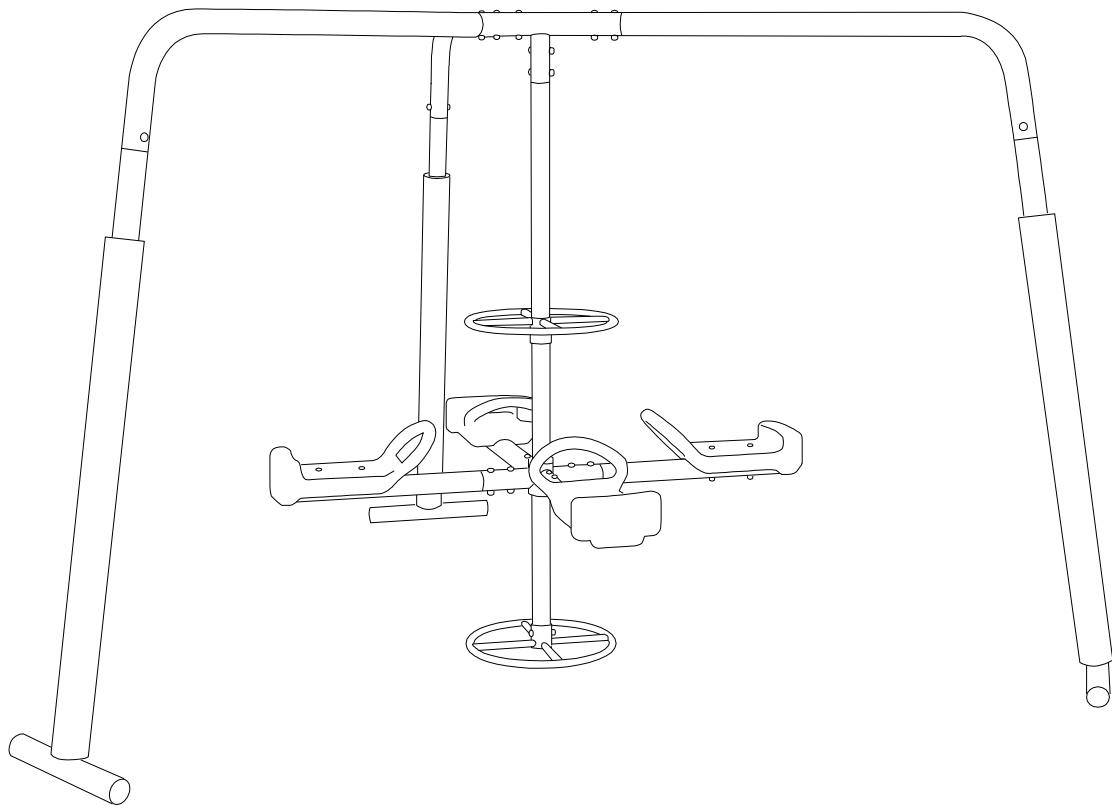


IRONKIDS™ fitnessplayground



MERRY GO ROUND ***ITEM NO: 8030***



OWNER'S MANUAL

CAUTION: This unit is designed to be used safely by up to 4 children between the ages of 3 years to 8 years old with a maximum weight of 100 pounds (45.4 kgs) each, simultaneously, not to exceed a combined weight of 400 pounds (181.6 kgs).

The specifications of this product may vary from this photo and are subject to change without notice. IRONMAN, IRONMAN TRIATHLON and M-DOT are registered trademarks of World Triathlon Corporation. This product is licensed by the IRONMAN TRIATHLON.

IMPORTANT: FOR NORTH AMERICA ONLY

To request product service and order replacement parts, please call our customer service department at:

1-866-924-1688

Monday through Friday, 8:00 AM-5:00 PM Pacific Standard Time,

or email us at: **service@paradigmhw.com**

Please visit our website at www.paradigmhw.com.

Please have the following information ready when requesting for service:

Your name

Phone number

Model number

Serial number

Part number

Proof of Purchase

***Before returning this product to the store please contact customer service at the contact number.**

Paradigm Health & Wellness, Inc.

1189 Jellick Ave.

City of Industry, CA 91748, USA

TABLE OF CONTENTS

Warranty -----	3
Important Safety Precautions -----	4
Location and Placement of your Merry Go Round -----	5
Tools Required for Assembly -----	5
Parts List and Drawing -----	6
Hardware for Assembly -----	7
Assembly Instructions -----	8
Care and Maintenance -----	15
Ground Anchor Installation -----	15
Parts Request Fax Form -----	17

MANUFACTURER'S LIMITED WARRANTY (IRONKIDS MERRY GO ROUND)

Paradigm Health & Wellness warrants to the original purchaser that this product is free from defects in material and workmanship when used for the purpose intended, under the conditions that it has been installed and operated in accordance with Paradigm's Owner's Manual. Paradigm's obligation under this warranty applies to the following:

<u>COMPONENT</u>	<u>LENGTH OF WARRANTY</u>
Structural Frame	Lifetime (1)
All Other Components	180 days (2)

This warranty does not include damage caused by normal wear and tear, weather corrosion, misuse, commercial use or improper operation. Paradigm will replace free of charge any parts which may prove to be defective under normal home use. This warranty is offered only to the original purchaser and is not transferable. Proof of original purchase is required.

Ordering Replacement Parts

Replacement parts can be ordered by calling or emailing our customer service department

service@paradigmhw.com

1-866-924-1688

Monday through Friday, 8:00 AM - 5:00 PM (PST).

When ordering replacement parts please have the following information ready:

- 1. Owner's Manual**
- 2. Model Number**
- 3. Description of Parts**
- 4. Part Number**
- 5. Date of Purchase**

IMPORTANT SAFETY PRECAUTIONS

Read all instructions carefully before assembling operating this product. Retain this owner's manual and keep the original purchase receipt for future reference.

1. Before you assemble the unit, find level ground not less than 6 feet from any structure or obstruction to the unit. This unit must have clearance on all sides.
2. To prevent serious injury, do not allow children to play on the unit until it is completely installed.
3. Do not install the unit over concrete, packed dirt, or any other hard surface. A fall onto a hard surface can result in serious injury or death to the user.
4. Only adults should assemble or disassemble this unit.
5. This product is designed for normal residential use only.
6. This product is not designed for use in day care, nurseries, or other public places.
7. This product must be anchored.
8. Adult supervision of children is required at all times when on or around this unit. Never leave children unattended.
9. Do not hang on or climb from structural members of the unit.
10. Do not exceed the intended weight limit or maximum number of users for the unit.
11. This product is intended to be used by children between the ages of 3-8 years old.
12. Be sure to observe your children and insure that they have the strength and skills to enjoy all the rides safely before use on their own.
13. Do not allow children to walk close to, behind, or in front of moving items.
14. Instruct children how to sit in the center of the seats.
15. Warn children not to use the equipment in any manner other than intended.
16. Warn children not to get off the rides while in motion.
17. Warn children to dress appropriately. Loose fitting clothing is potentially hazardous when using the unit.
18. Equipment may be slippery when wet. Do not allow children to use the equipment when wet.
19. Parents should regularly check openings and surfaces for items that may be hazardous.
20. Do not place any part of the body near moving parts.
21. Children must be supervised at all times. No playground is safe without adult supervision.

Play Ground Rules

1. Do not use equipment when wet.
2. No running, pushing, shoving, or roughhousing.
3. Do not use play equipment before reading manual.
4. Always wear proper footwear.

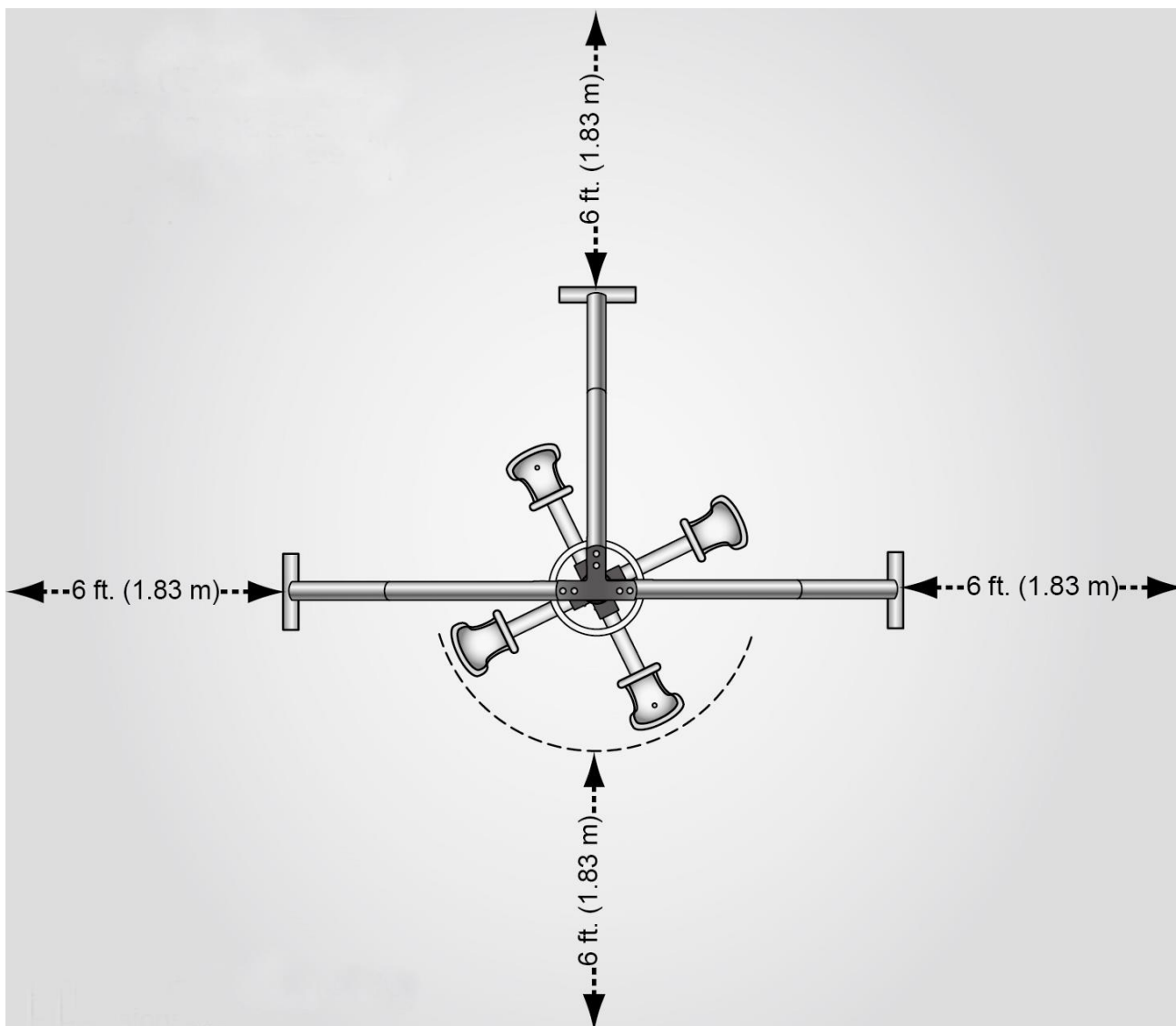
CARE AND MAINTENANCE

Check all nuts and bolts by monthly during the usage season for tightness and tighten as required. It is particularly important that all nuts and bolts are checked prior to the first use each season.

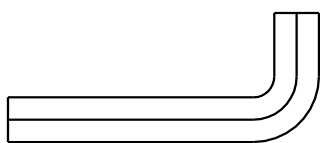
LOCATION AND PLACEMENT OF YOUR MERRY GO ROUND

Proper placement and maintenance of protective surfacing is essential. Be sure to:

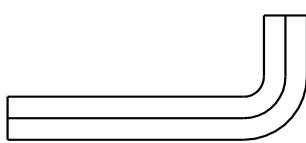
- Extend surfacing at least 6 feet (1.83 m) from the equipment in all directions. Merry Go Round must be placed a minimum of 6 feet (1.83 m) from any structure or obstruction such as a fence, garage, house, overhanging branches, laundry lines, or electrical wires.
- Do not place your Merry Go Round underneath electrical lines. If you must, ensure that there is a minimum overhead clearance of 6 feet (1.83 m).
- Do not install Merry Go Round over concrete, asphalt, packed earth, grass, carpet, or any other hard surface. A fall on to a hard surface can result in serious injury to the user.
- The following diagram shows how much obstacle-free surfacing should be used for the Merry Go Round.



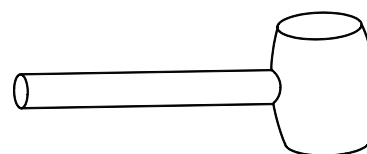
TOOLS REQUIRED FOR ASSEMBLY



Allen Wrench 5mm
2 PCS
(Included)



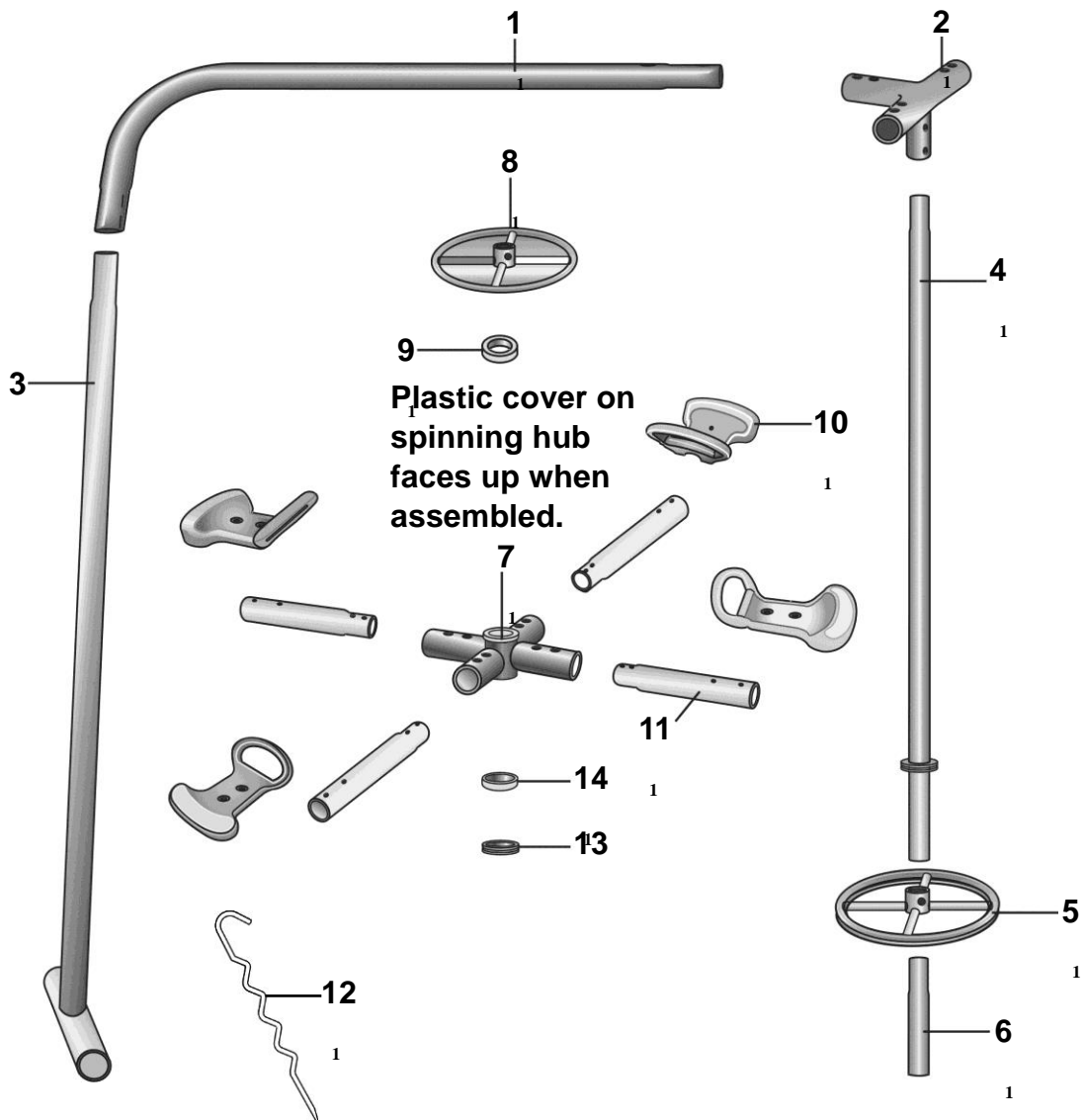
Allen Wrench 3mm
1 PC
(Included)



Hammer
1 PC

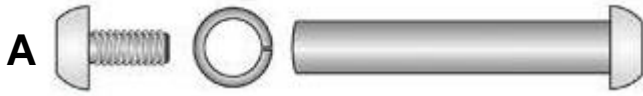
PARTS LIST AND DRAWING

Part #	Description	Qty
001	Curved Top Bar	3
002	Center Fitting	1
003	Leg (w Pad)	3
004	Center Pole	1
005	Footplate	1
006	Stability Tube	1
007	Spinning Hub	1
008	Merry Go Round Handle	1
009	Plastic Ring	1
010	Merry Go Round Seat	4
011	Seat Post	4
012	Corkscrew Anchor	3
013	Bearing	1
014	Bearing Cover	1



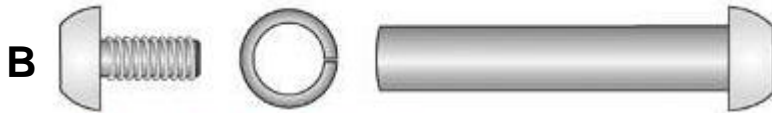
HARDWARE FOR ASSEMBLY

Hardware used for Legs assembly



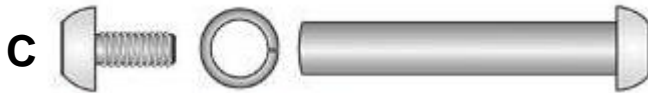
M8x50mm Bolt & Binder Post Set
(Preassembled)
3 SETS

Hardware used for Curved Top Bars assembly



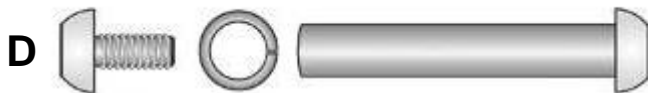
M10x50mm Bolt & Binder Post Set
(Preassembled)
6 SETS

Hardware used for Center Pole, Merry Go Round Handle, Stability Tube, and Footplate assembly



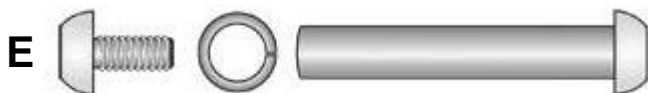
M8x45mm Bolt & Binder Post Set
(Preassembled)
4 SETS

Hardware used for Merry Go Round Seats assembly



M8x62mm Bolt & Binder Post Set
(Preassembled)
8 SETS

Hardware used for Seat Posts assembly



M10x50mm Bolt & Binder Post Set
(Preassembled)
8 SETS

Hardware used for Plastic Ring assembly



M6x12mm Bolt
(Packed in PE Bag)
2 PCS

ASSEMBLY INSTRUCTIONS

For easier assembly, we have preassembled some of the parts for you. Most of the bolts should already be in place. If removal of this hardware is required for certain assembly steps, it should be replaced in its original position. If it isn't necessary to remove the hardware, check to make sure it is tight before allowing children on the Merry Go Round.

Only adults should assemble or disassemble the Merry Go Round. For safety reasons and ease of assembly it is recommended that two adults assemble the Merry Go Round. The Merry Go Round includes two 5mm Allen wrenches and one 3mm Allen wrench.

Points to remember when locating and placing the Merry Go Round:

- Place the Merry Go Round equipment on level ground, not less than 6 feet (1.83 meters) from any structure or obstruction such as a fence, garage, house, overhanging branches, laundry lines, or electrical wires.
- Do not install the Merry Go Round equipment over concrete, asphalt, packed earth, or any other hard surface. A fall onto a hard surface can result in serious injury to the user.
- Do not place the Merry Go Round underneath electrical lines. If you must, ensure that there is a minimum overhead clearance of 6 feet (1.83 meters).
- The Merry Go Round should be assembled near the location it will be permanently anchored.

TIGHTENING BOLTS

- Do not over-tighten the bolts when you are assembling your Merry Go Round equipment. This will allow for some possible adjustments and ease of installation.
- Once you have completed the assembly of the Merry Go Round equipment, go back over all of the bolts and properly tighten all of them before using the Merry Go Round equipment.



WARNING!

Unexpected movement (i.e.: tipping, lifting and overturning) of the Merry Go Round may result in serious injury or death. The Merry Go Round must be securely anchored before use.

Frame Assembly

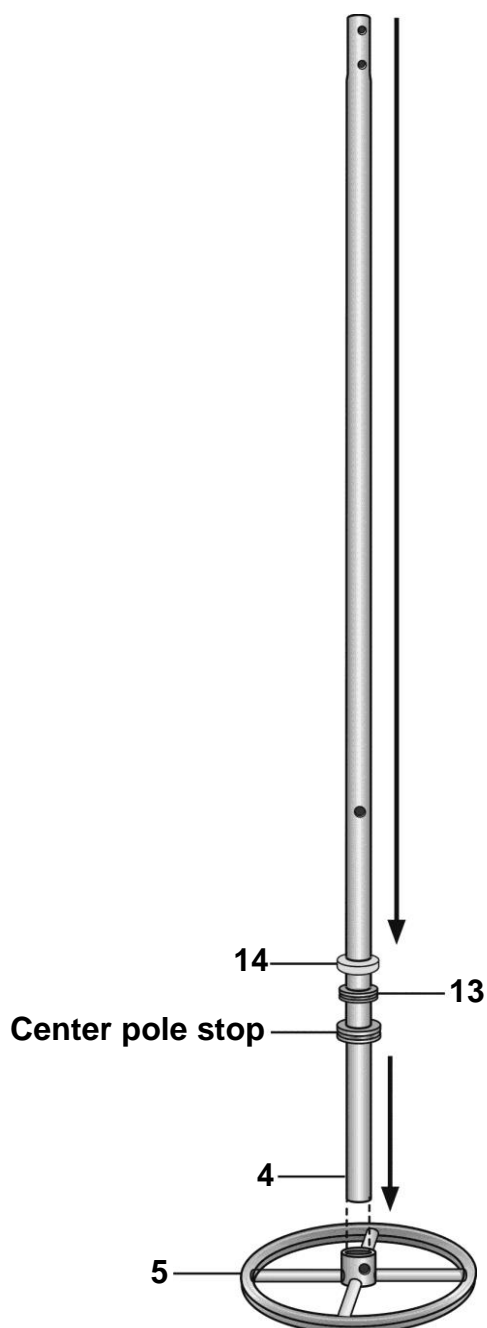
Tip:

Layout the parts on the ground, and in the area where you will place the Merry Go Round.

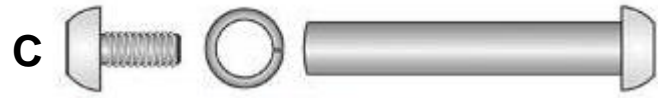
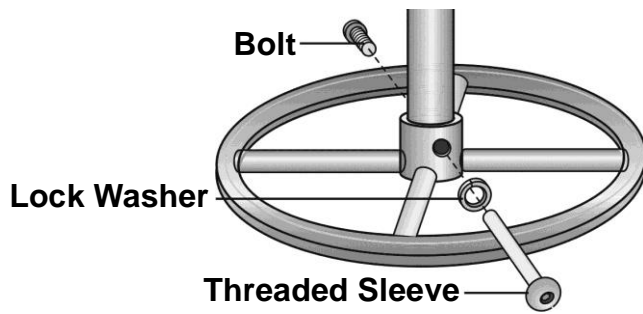
Assemble the Merry Go Round Center Pole

Before you begin this step: Remove the mounting hardware from the footplate and handle. You will need them for this assembly.

1. Slide the Bearing (13) and Bearing Cover (14) down the Center Pole (4) until it reaches the stop. Insert the Center Pole (4) through the top of the Footplate (5), making sure the holes of the Footplate (5) and Center Pole (4) are aligned.

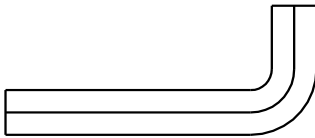


2. To fasten the Footplate (5) to the Center Pole (4), insert a threaded sleeve into a lock washer, the Footplate (5) and Center Pole (4) holes. Line up the end of the threaded sleeve with the bolt. Firmly tighten the bolt and threaded sleeve with two 5mm Allen Wrenches provided.



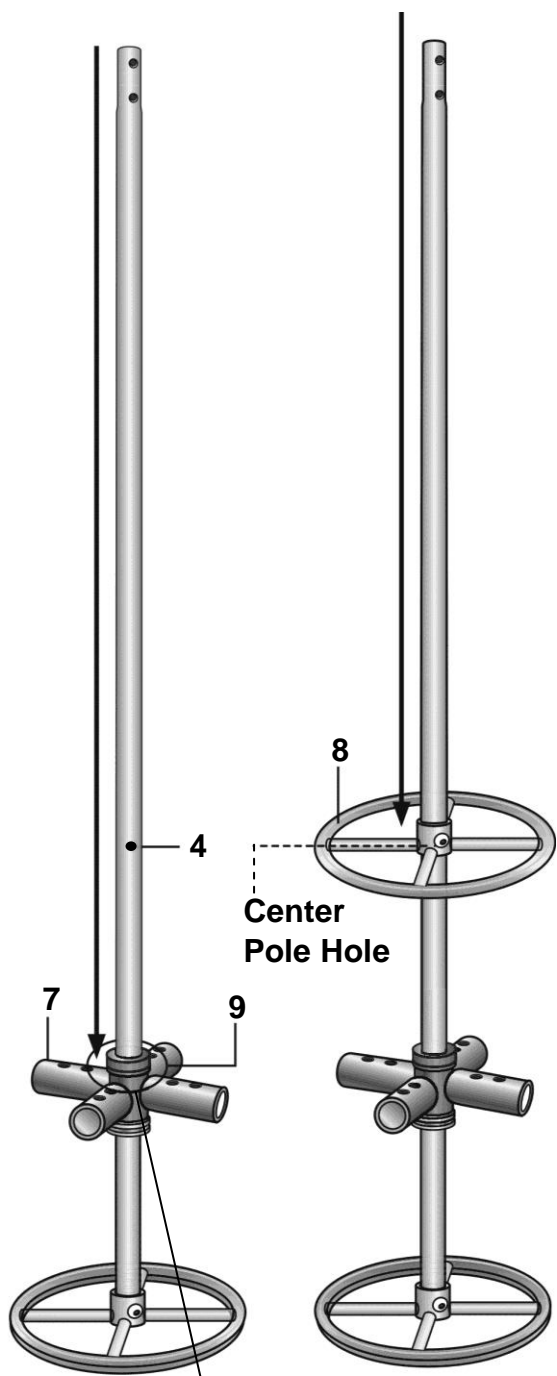
**M8x45mm Bolt & Binder Post Set
(Preassembled)
1 SET**

Tool:

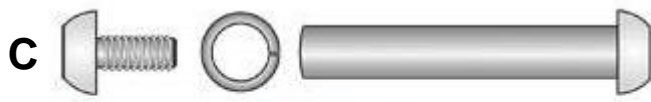


**Allen Wrench 5mm
2 PCS
(Included)**

3. Slide the Spinning Hub (7) down the Center Pole (4) until it reaches the stop.
- Important! The black plastic cover should be on the top.**
4. Slide the Plastic Ring (9) down the Center Pole (4) until it reaches the stop onto the Spinning Hub (7).
 5. Slide the plastic coated Merry Go Round Handle (8) down the Center Pole (4) until it reaches the hole in the middle of the Center Pole (4).
 6. Align the holes of the Merry Go Round Handle (8) with the holes in the Center Pole (4).
 7. To fasten the Merry Go Round Handle (8) to the center hole, repeat step 2.

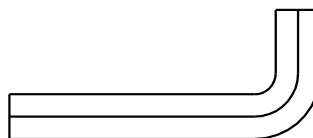


Plastic cover on spinning hub faces up when assembled.



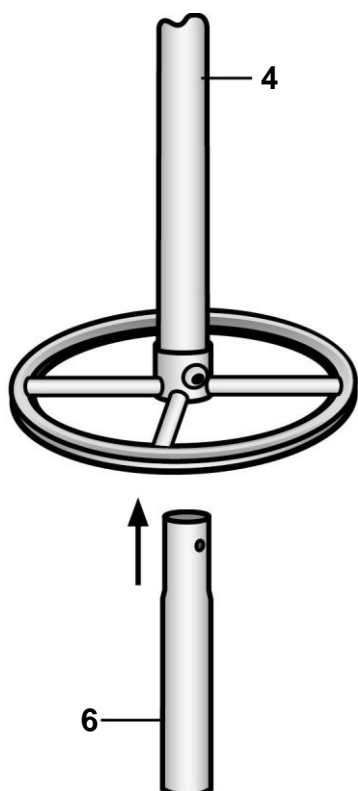
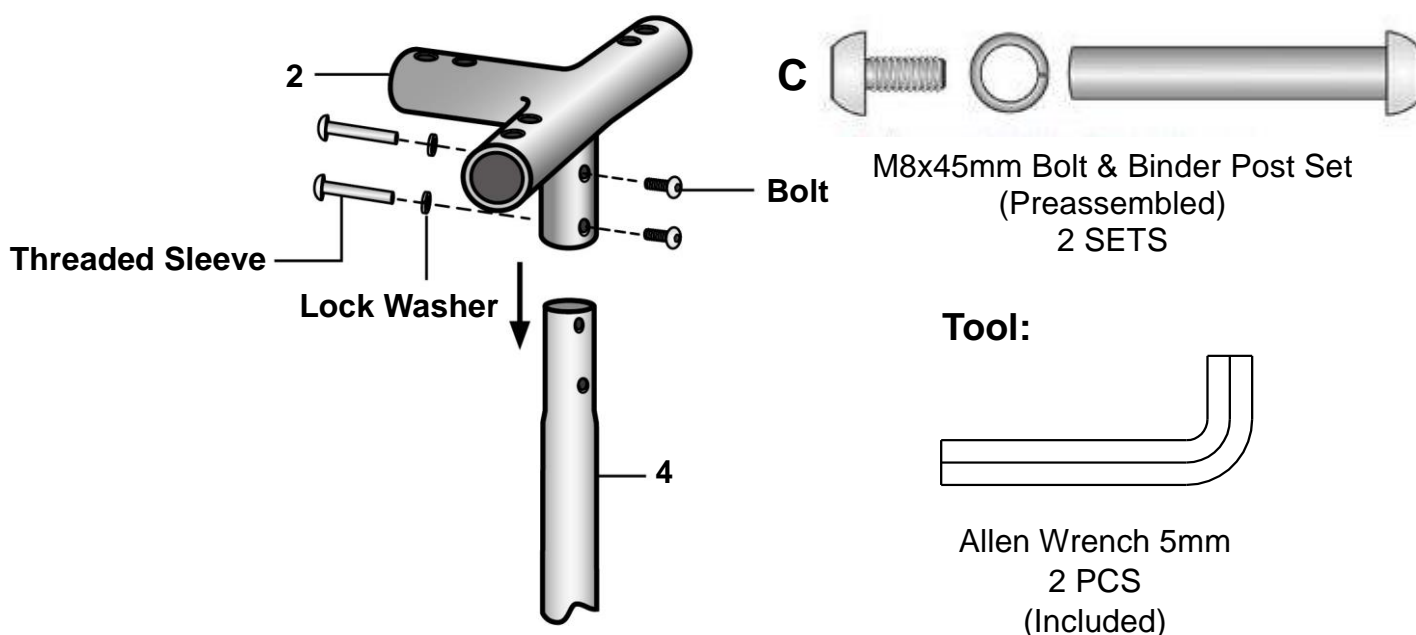
**M8x45mm Bolt & Binder Post Set
(Preassembled)
1 SET**

Tool:



**Allen Wrench 5mm
2 PCS
(Included)**

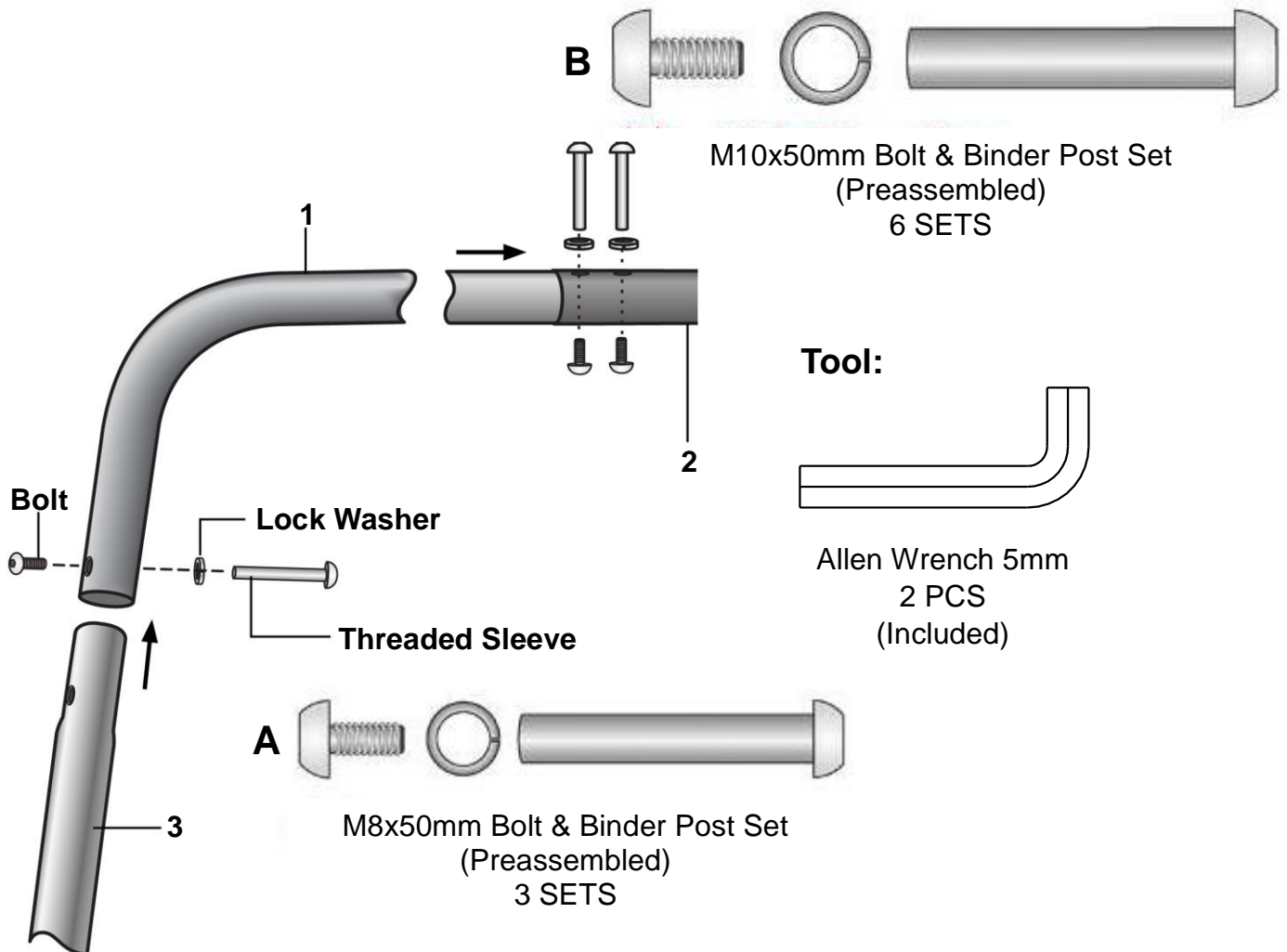
8. Place the Center Fitting (2) on top of the Center Pole (4). Align the holes of the Center Fitting (2) with the holes in the Center Pole (4).
9. To fasten the Center Fitting (2) to the Center Pole (4), insert two threaded sleeves into a lock washers, the Center Fitting (2) and Center Pole (4) holes.
10. Line up the end of the threaded sleeves with the bolts.
11. Firmly tighten the bolts and threaded sleeves with two 5mm Allen Wrenches provided.
12. Attach the Stability Tube (6) to the Center Pole (4) assembly.
13. Determine the location of Merry Go Round. Dig a hole approximately 200 mm in deep for the Stability Tube (6).
14. Place the assembled Center Pole (4) in desired location.



Attach the Curved Top Bars and Legs to the Center Fitting

Before you begin this step: Remove the mounting hardware from the Curved Top Bars (1). You will need them to attach the Center Fitting (2) and Legs (3) assembly.

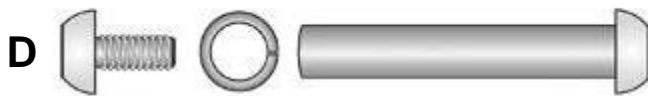
1. Insert the Curved Top Bar (1) into the Center Fitting (2), making sure the holes of the Center Fitting (2) and the Curved Top Bar (1) are aligned.
2. Place two threaded sleeves into a lock washers and through the holes of the Center Fitting (2) and the Curved Top Bar (1).
3. Insert the bolts and firmly tighten the bolts and threaded sleeves with two 5mm Allen Wrenches provided.
4. Insert a Leg (3) into the Curved Top Bar (1).
5. Place the threaded sleeve into a lock washer and through the holes of the Curved Top Bar (1) and the Leg (3).
6. Insert the bolt and firmly tighten the bolt and threaded sleeve with two 5mm Allen Wrenches provided.
7. Repeat steps 1 - 7 for the remaining two Curved Top Bars (1) and Legs (3).



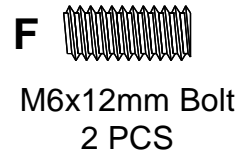
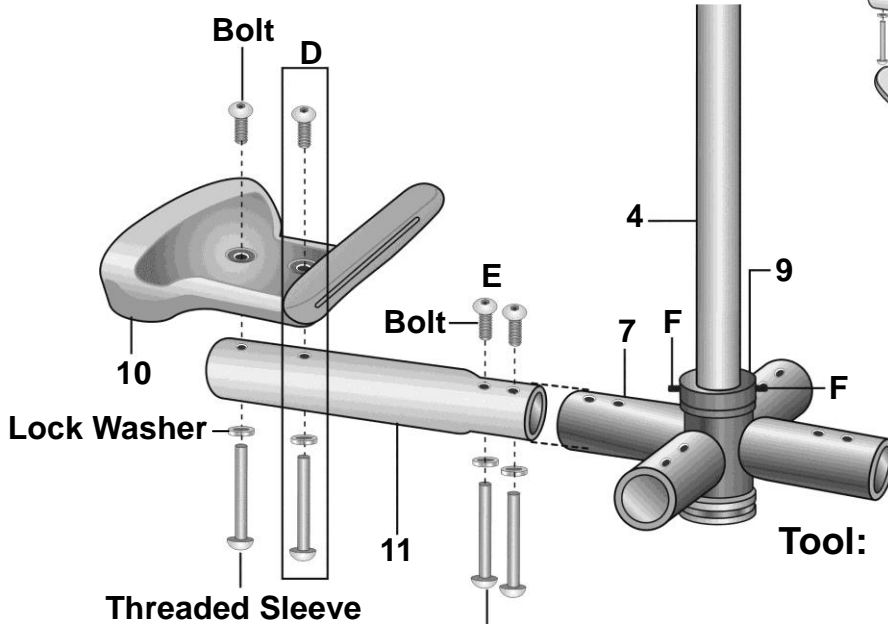
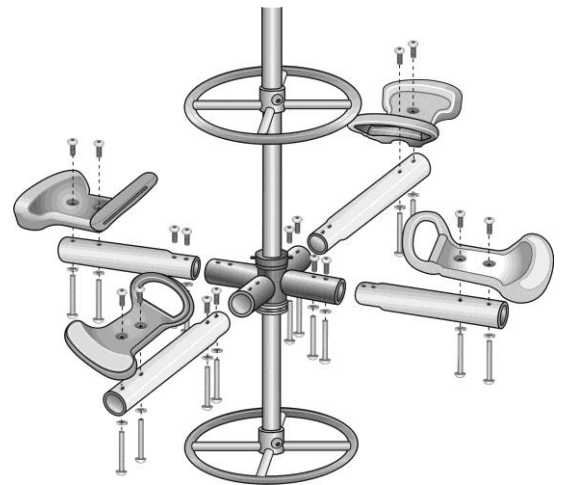
Merry Go Round Seat Assembly

Before you begin this step: Remove the mounting hardware from the Seat Posts (11). You will need them to attach the Merry Go Round Seats (10).

1. Place a Merry Go Round Seat (10) over the holes at the Seat Post (11), making sure the holes in the Seat Post (11) are aligned with the holes in the Merry Go Round Seat (10).
2. From the bottom of the Seat Post (11), insert two threaded sleeves through two lock washers, Seat Post (11), and Merry Go Round Seat (10).
3. From the top of the Merry Go Round Seat (10), insert two bolts through the opposite end of the threaded sleeves and firmly tighten the bolts and threaded sleeves with two 5mm Allen Wrenches provided.
4. Repeat steps 1 - 3 for the remaining three Merry Go Round Seats (10).
5. Insert a Seat Post (11) into an opening on one of the Spinning Hub (7) arms, making sure the holes of the Seat Post (11) align with the holes on the Spinning Hub (7).
6. Fasten the Seat Post (11) to the Spinning Hub (7) by inserting two threaded sleeves into two lock washers, through the bottom of the Seat Post (11) and Spinning Hub (7).
7. Align the bolts with the opposite end of the threaded sleeves and tighten the bolts and threaded sleeves with two 5mm Allen Wrenches provided.
8. Repeat steps 5 - 7 for the remaining three Seat Posts (11).
9. Insert two M6x12 mm Bolts (F) through the holes on the Plastic Ring (9) and firmly tighten the bolts with one 3mm Allen Wrench provided.

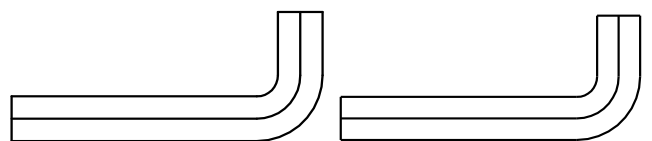


D
M8x62mm Bolt & Binder Post Set
(Preassembled)
8 SETS



F
M6x12mm Bolt
2 PCS

Tool:



Allen Wrench 5mm
2 PCS
(Included)

Allen Wrench 3mm
1 PC
(Included)



E
M10x50mm Bolt & Binder Post Set
(Preassembled)
8 SETS

CARE AND MAINTENANCE

At the beginning of each play season:

- Tighten all hardware.
- Check all protective coverings on bolts, pipes, edges and corners. Replace if they are loose, cracked or missing.
- Check all moving parts for wear, rust or other deterioration. Replace as needed.

At the end of the play season, or when the temperature drops below 32° F (0°C):

- Remove Merry Go Round Seats and other plastic items and take indoors.

GROUND ANCHOR INSTALLATION

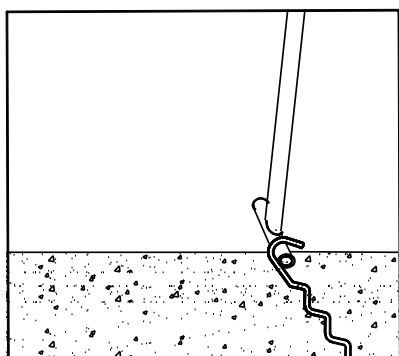
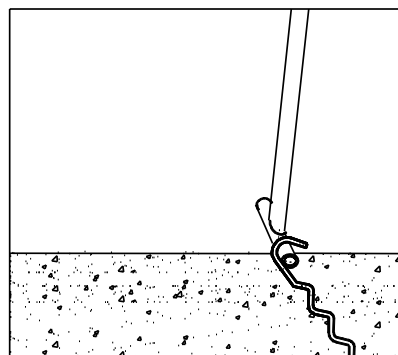
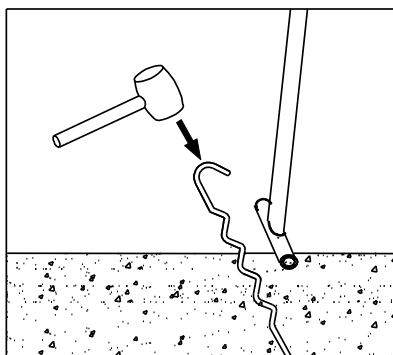
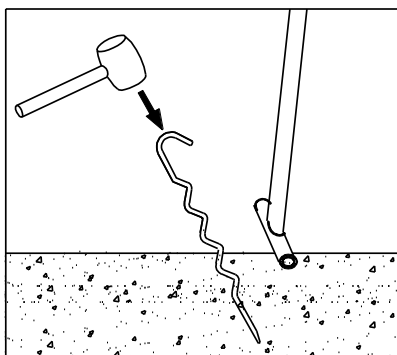
You may either anchor the feet of the frame in hard soil or if your soil is soft (sand, etc.), you may use the corkscrew anchor to secure the merry go round. Ensure equipment is firmly anchored before use.

For Soil Ground Installation:

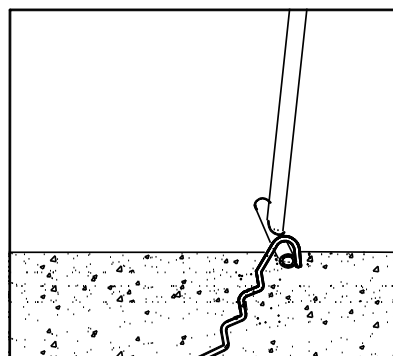
Turn the corkscrew anchor into the ground until only the hooked end is above the ground next to the leg.

Insert the hooked end onto the bottom of the leg.

Ensure that the hooked end is secure on the bottom of the leg.



Correct

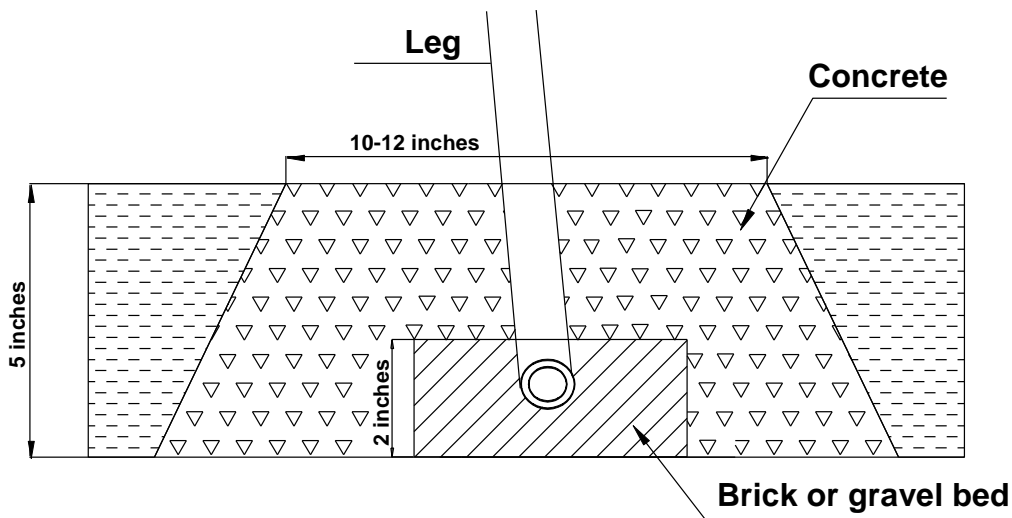


Incorrect

When turning the corkscrew anchor into the ground, please make sure the anchor is roughly perpendicular to the playground feet.

For Concrete Ground Installation:

- If the swing set is set up on grounds with sandy soil condition, it must be anchored with concrete footing (concrete not included).
- Dig holes at least 5" (12.7cm) deep and 10" (25.4cm) to 12" (30.5cm) in diameter around legs as shown below in drawing. As you dig down and create a cylindrical hole, you should use a shovel to carve out the lower part of the hole, to create a larger diameter hole at the bottom. Be sure the leg is set 3" (7.6cm) below the ground.
- Place 2 inch high brick or 2 inches of gravel bed as shown in drawing below.
- Use about 45lb of concrete per leg.
- Cover concrete with dirt and protective surface material.
- Allow about 6-7 days for concrete to dry properly.



Warning: Please bury the legs of the merry go round as per instruction. If the merry go round is used without proper anchoring, it may be dangerous and may tilt over.

This merry go round complies with ASTM-F1148-09.

