

# 12 PERSON 3 ROOM INSTANT CABIN TENT - 16 x 16

Item No. **WMT-161682B**  
Model No. **30130**

## Before you begin

Read all instructions thoroughly before beginning set up.

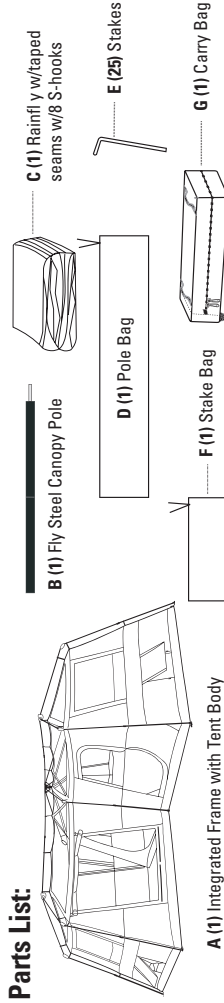
- Select a level site clear of rocks, branches, and other hard or sharp objects, to set up your tent.

## ⚠ WARNING: Keep clear of overhead power lines.

- Do not set up your tent under trees because of potential lightning strikes or falling tree limbs in inclement weather.
- For best results in windy conditions, position narrow end of tent into the wind.
- Secure with all stakes and guylines provided to prevent property damage or personal injury.
- Two people can easily setup this tent in about 2 minutes. **Scan the QR code to view our setup video.**



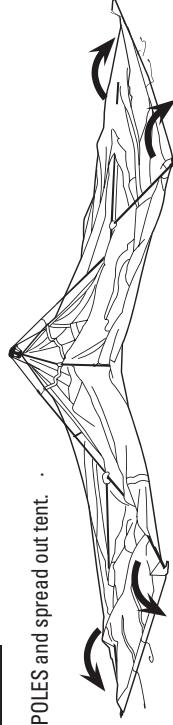
## Parts List:



## Setup Instructions:

**1**

- Unfold LEG POLES and spread out tent.

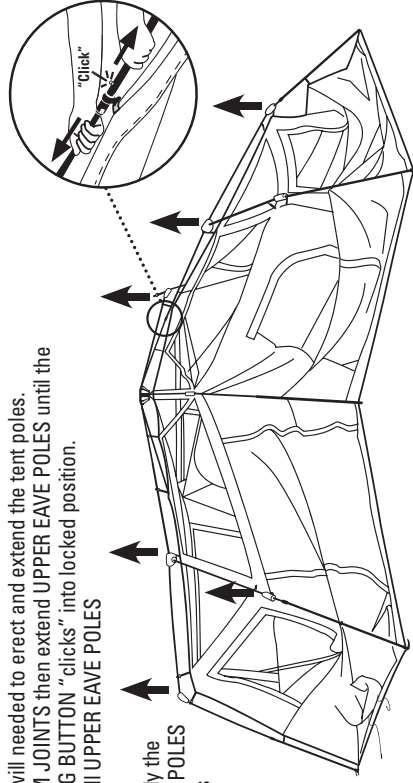


**2**

- **NOTE:** 2 people will be needed to erect and extend the tent poles.

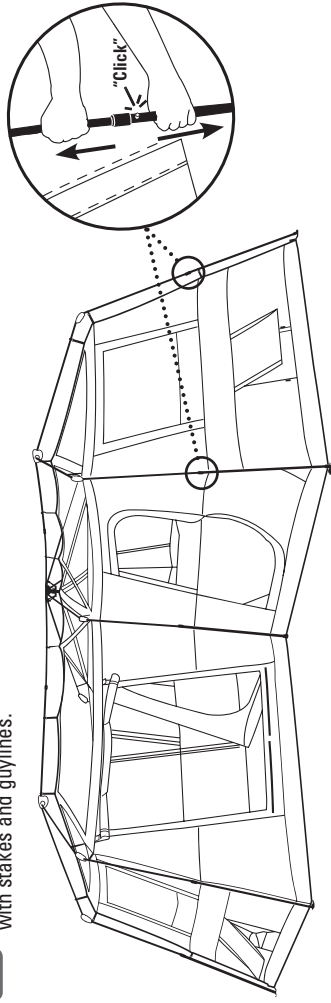
- Lift up on ARM JOINTS then extend UPPER EAVE POLES until the silver LOCKING BUTTON "clicks" into locked position.
- Repeat until all UPPER EAVE POLES are extended.

**IMPORTANT:** Only the two MAIN ROOF POLES telescope on this instant tent.



**3**

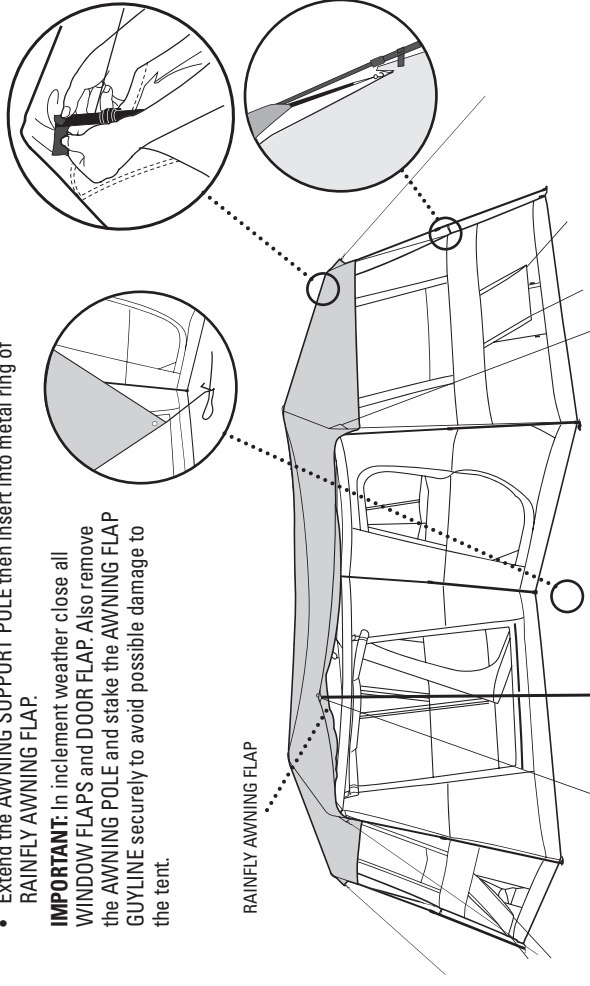
- Extend TELESCOPING LEG POLES until the silver LOCKING BUTTONS "click" into locked position. **NOTE:** You can now easily move your tent to its final position before installing the Rainfly and securing with stakes and guylines.



**4**

- Drape RAINFLY over tent then clip HOOK attached to SHOCKCORDS of Rainfly onto FABRIC LOOPS on tent.
- Secure RAINFLY to both LEG POLES with HOOK & LOOP FASTENERS (located on underside of Rainfly).
- Extend the AWNING SUPPORT POLE then insert into metal ring of RAINFLY AWNING FLAP.

**IMPORTANT:** In inclement weather close all WINDOW FLAPS and DOOR FLAP. Also remove the AWNING POLE and stake the AWNING FLAP GUYLINE securely to avoid possible damage to the tent.

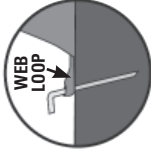


**NOTE:** See other side for proper staking of tent and guylines.

## To Secure Tent:

### Stake Tent

- Locate WEBBING LOOPS sewn into the corners at the base of your tent.
  - Slide STAKE through WEBBING LOOP at each location; then extend out before securing.
- NOTE:** Floor of tent should be taut when staked properly.



### Secure Tent & Vent Flap Guylines

- Locate GUYLINES attached to the tent and side vent flap.
  - Slide STAKE through loop at each location, extend out and drive in to secure.
- NOTE:** GUYLINES should extend out at a 45° angle from tent & awning.
- Tighten GUYLINES as needed by adjusting the SLIDER up the cord.



## Take Down & Storage Instructions:

### To Take Down Tent

Follow the previous steps in the reverse order.

- Remember to push the silver LOCKING BUTTON and telescope the 4 ROOF EAVE POLES.
- Push down on the ARM JOINTS where the legs meet the ROOF POLES starting with the two middle poles first, then the corner poles. The roof will collapse in and then pull all the poles inward under the central hub and then fold up the leg poles.
- Lay the tent down on it's side and roll out the excess air and put back into the bag.



### Storing the Tent

- Remove guylines and stakes and place in their storage bag.
- All stakes must be placed in their own storage bag before placing in tent carrying case to prevent damage to the tent fabric.
- Store in a clean, dry area.

## Things You Should Know

- Under certain conditions (cold weather, high humidity, etc.) condensation will form on the inside of your tent. Condensation is caused by water vapor from your breath, perspiration, or any wet clothing inside the tent. It is NOT LEAKAGE through the tent fabric. It can be minimized by removing wet clothing from your tent and by providing good ventilation through the tent.
  - Never store tent, even for a short period of time, without drying it thoroughly and brushing off caked dirt. Do not pack stakes inside your tent. Use a separate storage bag.
  - STAKES SHOULD BE REMOVED BY PULLING ON THE STAKE ITSELF. NEVER PULL ON THE TENT TO REMOVE STAKE.
  - Do not leave your tent set-up for weeks at a time. Be aware that exposure to ultraviolet rays from the sun can seriously damage material and/or cause it to become discolored.
- WARNING: Keep all flame and heat sources away from this tent fabric.** This tent meets the flammability requirements of CPAI-84. The fabric may burn if left in continuous contact with any flame source. The application of any foreign substance to the tent fabric may render the flame-resistant properties ineffective.

## WARNING: KEEP ALL FLAME AND HEAT SOURCES AWAY FROM THIS TENT FABRIC

This tent is made of flame-resistant fabric which meets CPAI-84 specifications. **IT IS NOT FIRE-PROOF.** The fabric will burn if left in continuous contact with any flame source. The application of any foreign substance to the product fabric may render the flame-resistant properties ineffective.

**DO NOT** use fuel burning devices inside or near tent materials.

**DO NOT** permit children to light matches, operate burning appliances, or handle any flame sources in or near the tent.

- Do not smoke, use matches, candles or open flames of any kind in or near the tent.
- Do not refuel lanterns, stoves or heaters inside tent.
- Do not cook inside tent.
- Do not store flammable liquids inside tent.



DO NOT SPRAY

### IMPORTANT:

THE ORIGINAL FIRE RETARDANT AND WATER REPELLENT PROTECTIVE COATINGS MAY BE COMPROMISED IF SPRAYS OR OTHER CHEMICAL TREATMENTS ARE USED ON THE TENT. FABRIC HAS BEEN FACTORY TREATED. IT IS HIGHLY WATER-REPELLANT; HOWEVER, IT IS NOT WATERPROOF. ALL TENTS CAN EXPERIENCE SEAM LEAKAGE DURING WET WEATHER. IF YOU WANT ADDITIONAL MOISTURE PROTECTION, TRY A SEAM SEALING COMPOUND ONLY; STRICTLY FOLLOW THE MANUFACTURER'S DIRECTIONS. IT IS RECOMMENDED THAT YOU SEAL THE TENT DURING THE INITIAL SETUP AS WELL AS PRIOR TO EACH CAMPING SEASON. SEAM SEALER COMPOUNDS CAN BE PURCHASED AT YOUR LOCAL CAMPING PRODUCTS OUTLET. FOR MISSING PARTS CALL 1-888-774-5840.

**PLEASE DO NOT RETURN THIS PRODUCT TO THE RETAIL STORE.**

### REPAIR PARTS LIST

Part Number	Description
90113	Pole Joint Hub
90114	Pole Joint Hub Green Fabric Cover
90115	Green Fabric Corner Joint Cover
90117	Rainfly
90118	Long Extendable Roof Pole
90119	Short Center Room Roof Pole
90120	Short Outside Room Roof Pole
90121	Steel Leg Pole
90122	Center Hub
90123	Hub Connector
90124	Base of Leg Pole Plastic Connector
90125	Foot Connector
90126	Corner Joint (Plastic) 16x16x130
90127	Corner Joint (Plastic) 14x16x135
90128	Awning Pole (1 per tent)

### 6 Month Limited Warranty

Bohemian Travel Gear Limited warrants for a period of 6 months from the original date of purchase, this product against any defects in materials or workmanship. At its discretion, Bohemian Travel Gear may provide replacement parts to original purchaser. Original receipt or proof of purchase as well as proof of defect is required. Bohemian Travel Gear will not be responsible for shipping costs incurred outside the continental USA.

Warranty is valid for the original purchaser six months from the date of purchase and is not transferable. This Warranty does not cover any product purchased through non-authorized dealers and/or online auction websites.

### This Warranty Does Not Cover This

This 6 Month Limited Warranty does NOT cover normal wear and tear, abuse or misuse of this product including damage from inclement weather conditions, such as wind, rain, or hail. In case of inclement weather remove all valuables and persons and seek appropriate tent. Under no circumstances will Bohemian Travel Gear Limited be liable or responsible for any incidental or consequential damages.

This product is designed and intended for Recreational use only. Prolonged exposure to UV rays will cause any fabric to fade and deteriorate and is NOT covered by this 6 Month Limited Warranty.

All replacement products or parts will assume the remaining warranty of the original product. This warranty gives you specific legal rights. You may also have other rights which vary from state to state.

### To Obtain Warranty Service

Call Toll Free 1-888-774-5840 for warranty service, repair parts, or product questions. Mon-Fri, 8:00 a.m. - 5:00 p.m. Central Time.

**NOTICE: DO NOT RETURN PRODUCT TO RETAIL STORE.**

Bohemian Travel Gear Limited  
Plot # 30-32, Sector-3, Karnaphuli EPZ,  
Chittagong 4204, Bangladesh

Made in Bangladesh • Printed in Bangladesh