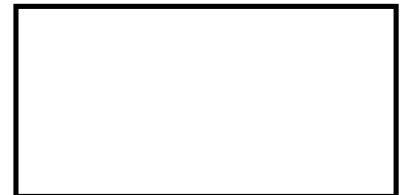
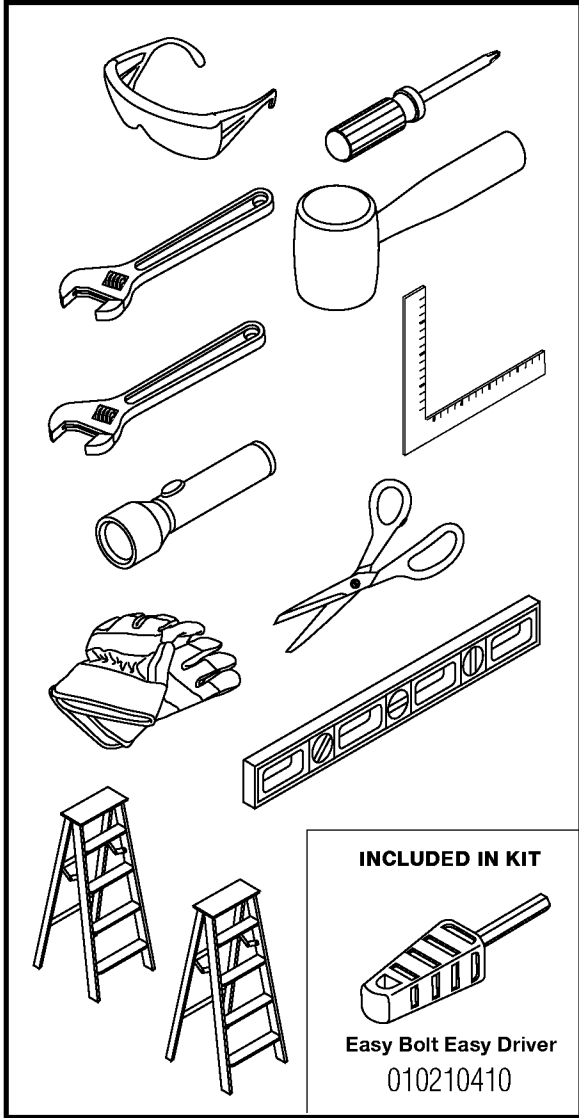


BMS6800DW Blow Molded Resin Storage Shed

OWNER'S MANUAL

Before You Begin

- **Consult your local authorities for any permits required to construct shed.**
Prior to the construction of your shed, check with the local building code official to review any required permits or building limitations.
- **A level and sturdy foundation is required before shed construction can begin.**
Site preparation information is available on pages 9. A foundation that differs from the suggestions within this manual could prevent proper assembly and may damage parts.
- **Read instructions thoroughly prior to assembly.**
This kit contains parts that can be damaged if assembled incorrectly or in the wrong sequence.
- **Please follow instructions.**
Suncast is not responsible for replacing parts lost or damaged due to incorrect assembly.
- **Check for all parts before you begin assembly.**
Using the provided parts check list on pages 3-8, verify that you have all the parts required to construct your shed model.
COMPLETE SITE PREPARATION AND FOUNDATION CONSTRUCTION BEFORE UNPACKING ALL PARTS.
- **Assistance is required during entire assembly.**
- **Use a rubber mallet to "push" parts into locked position.**



www.suncast.com



1-800-846-2345 or 1-630-879-2050.

KEEP THESE INSTRUCTIONS. You will need Quality Control Number shown below to register your product.

Quality Control Number:

Assembled exterior dimensions: 6' W. x 8' 1" D. x 7' 3" H.

CAUTION

- Proper site preparation required.
- Shed not intended for use in extreme weather conditions.
- Shed not intended for storage of flammable or caustic chemicals.
- Store heavy items near the bottom of shed.
- Shed not intended for use by children.
- **DO NOT** stand, sit, or store items on storage shed roof.
- Treat carefully in extreme temperatures.
- Repair or replace broken parts immediately.
- Suncast is not responsible for damage caused by weather or misuse.
- At regular intervals inspect your shed to make sure that assembly integrity has been maintained.
- Periodically check that the location you have chosen to set your shed is still level.
- This kit contains parts with metal edges. Please be careful when handling.

Shed Safety and Care

- Hot items, such as recently used grills, blowtorches, etc., must not be stored in the shed.
- Heavy articles should not be leaned against the walls, as this may cause panel distortion and permanent damage.
- Keep roof clean of snow and leaves.
- The shed walls and roof sections have a textured exterior, much like vinyl home siding. Over time, dust may accumulate in the texture. When combined with moisture, this could encourage the growth of moss or mold on the shed. To maintain the look of your shed, we recommend cleaning it each year with mild soap and water. **DO NOT** use bleach, ammonia, or other caustic cleaners, and **DO NOT** use stiff bristle brushes. Failure to perform annual cleaning could result in permanent staining of the plastic. This is not a manufacturing defect and is not covered under warranty.

Assembly Day Tips

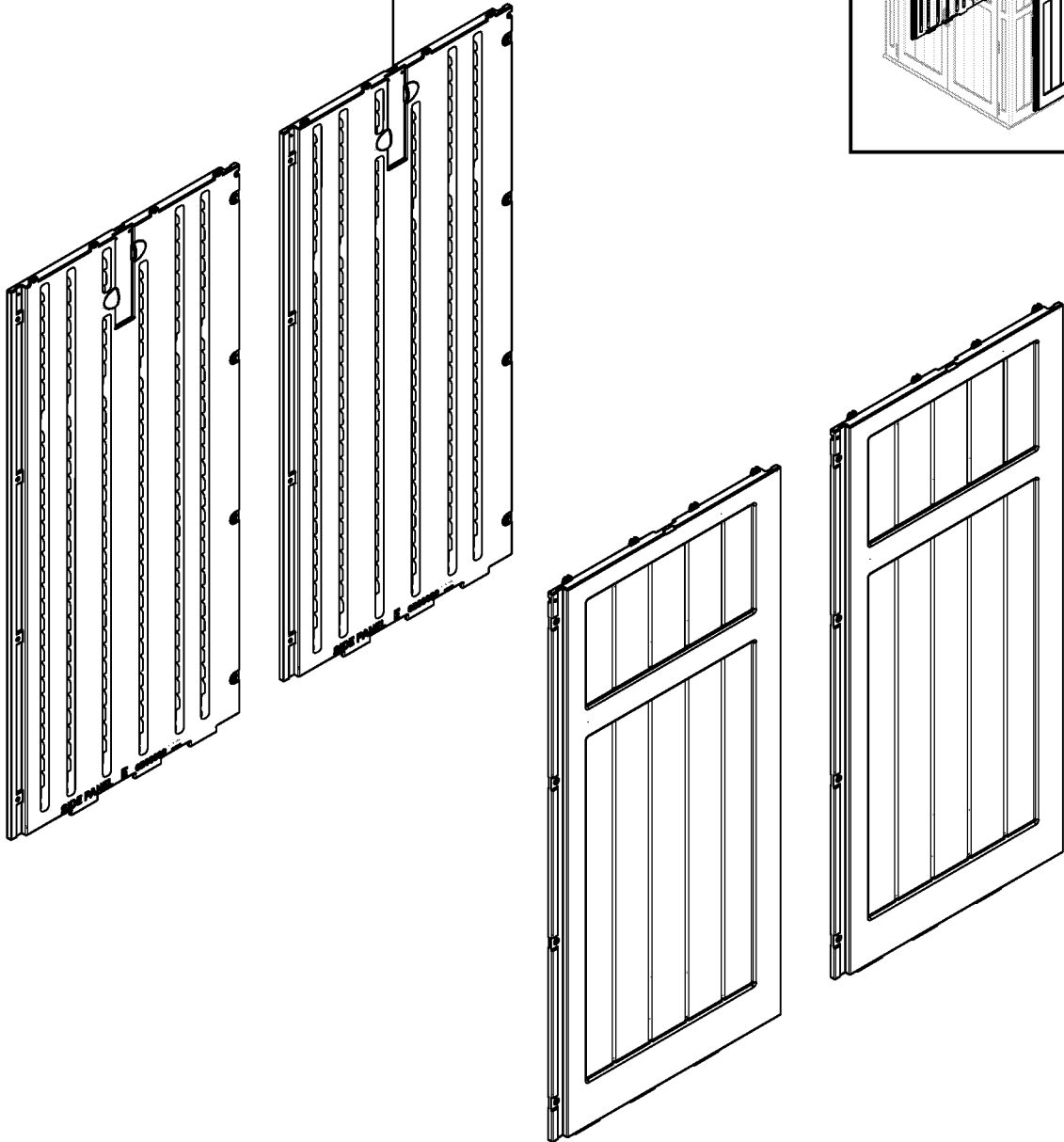
- Complete site preparation and foundation construction before unpacking parts and beginning assembly.
- **DO NOT** attempt to assemble on a day with strong winds.
- **DO NOT** attempt to assemble on days when temperature is below 32 degrees.
- Set aside appropriate amount of time to completely assemble shed. Assembly time is approximately 3 hours.
- Make sure you have assistance nearby to lift and secure parts in place.
- Wear light duty work gloves while assembling shed.
- Once roof is assembled, a flashlight may be of use when assembling smaller components inside shed.
- **DO NOT** use a torque wrench or hand drill to tighten provided Easy bolts. Use 010210410 Easy Bolt Easy Driver tool (provided) **ONLY**.
- Suncast provides extra hardware for small fasteners for customer convenience. In some cases, there will be extra small fasteners once the assembly is complete.

Note: This product contains parts that are used in different orientations to construct the shed. Please take note of the orientation of the parts shown throughout this instruction manual. Failure to follow instructions could result in damage to parts. Suncast is not responsible for replacing parts lost or damaged due to incorrect assembly.

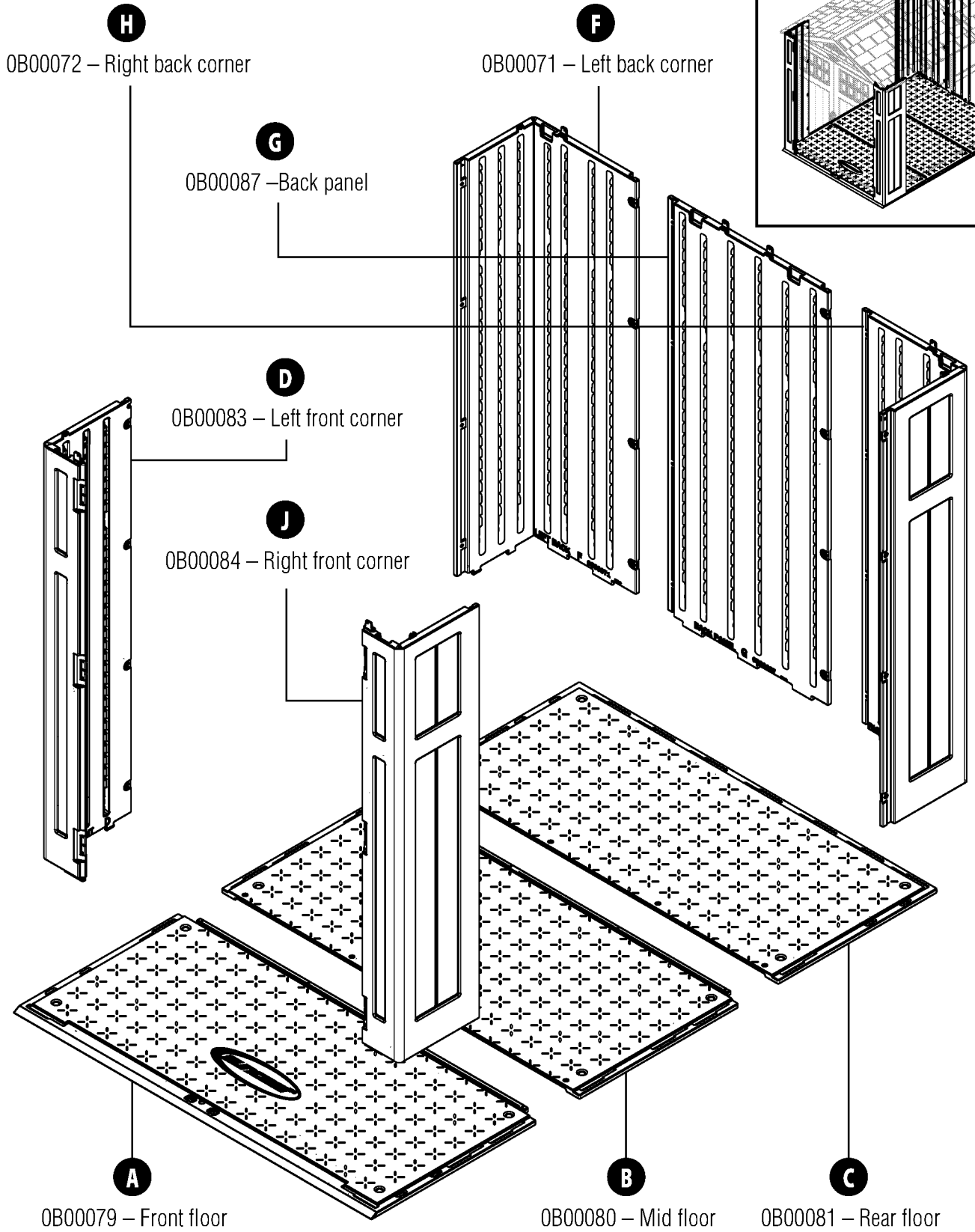
Parts - BMS6800DW

E

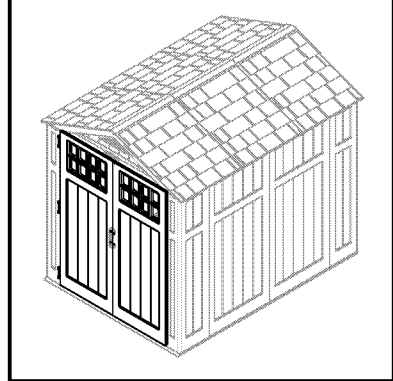
0B00082 – Side panel
x4



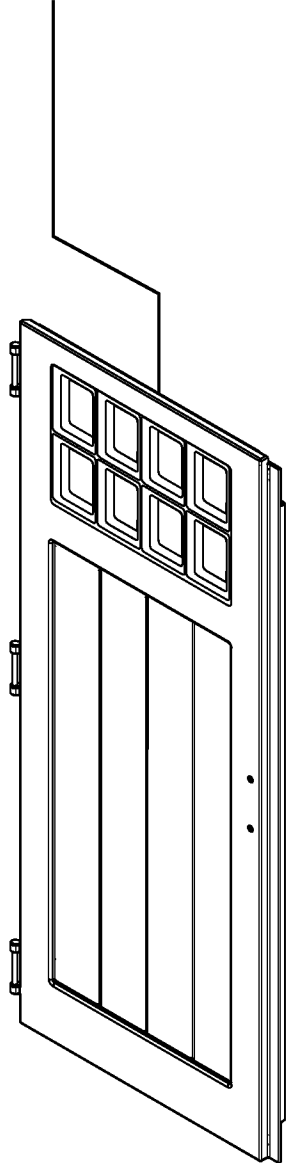
Parts



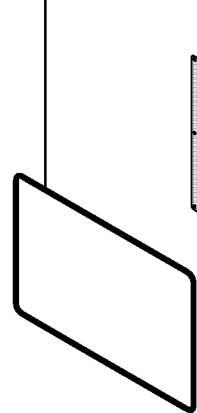
Parts



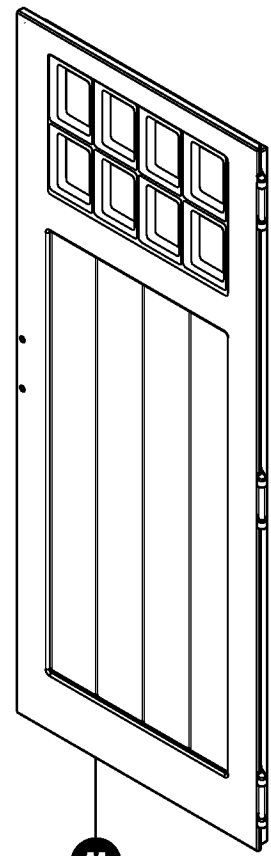
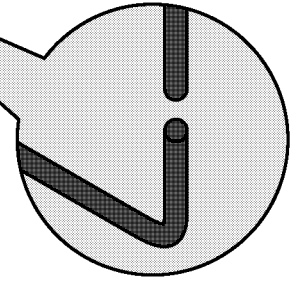
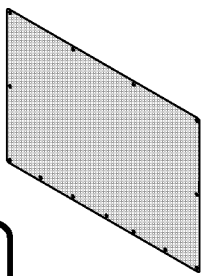
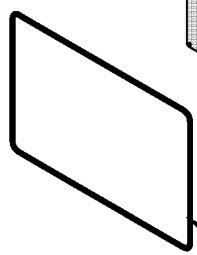
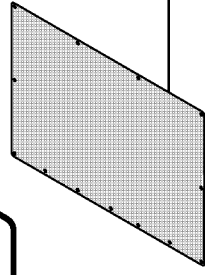
N
0B00077 – Left door



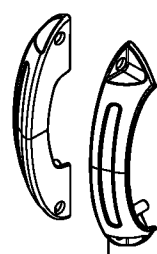
T
0510533 – Window gasket
x2



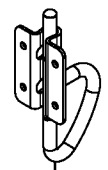
S
0510566A – Window
x2



M
0B00078 – Right door

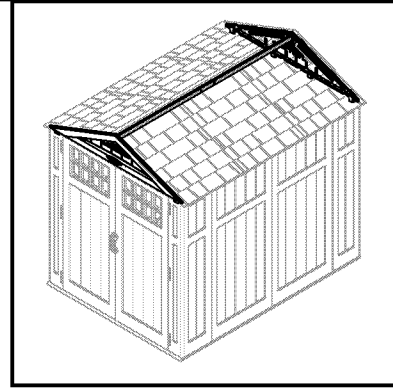


U
0102102C1 – Door handle
x2



V
0280384 – D-ring
slide bolt
x2

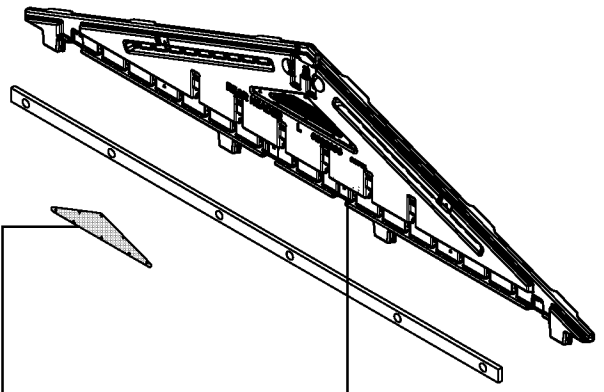
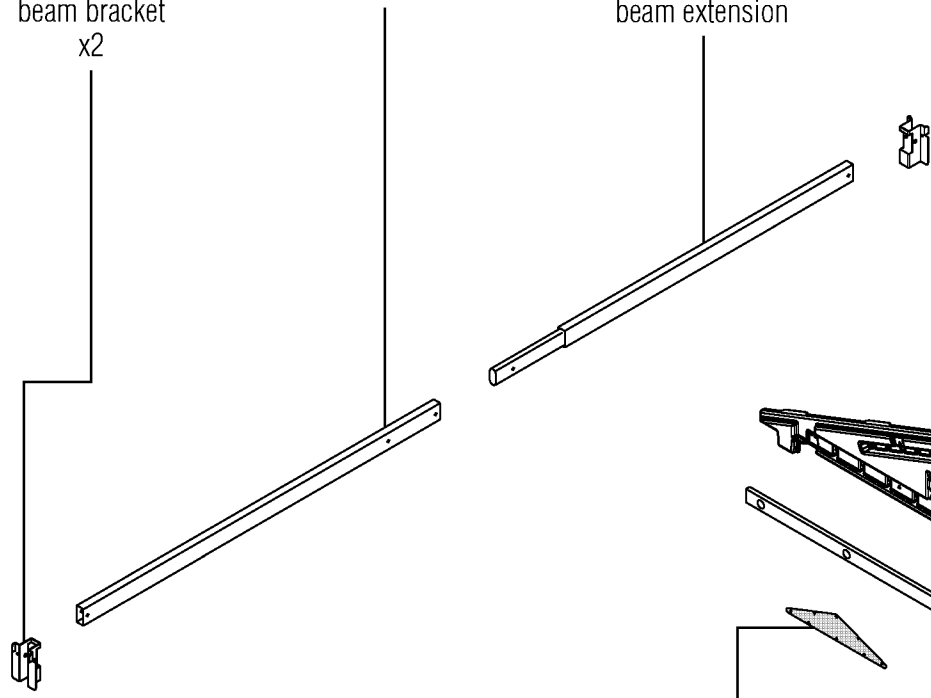
Parts



W
0510541 – Roof ridge
beam bracket
x2

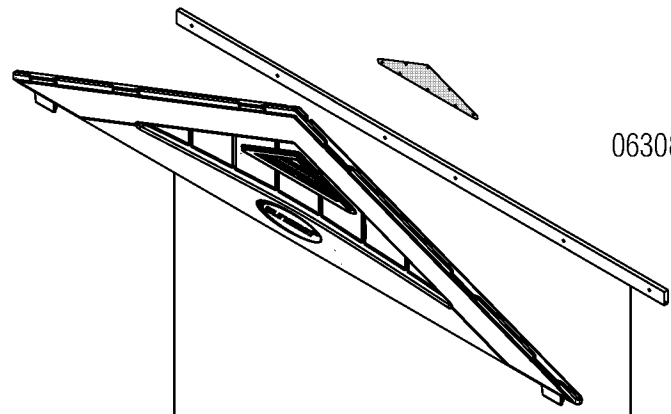
X
0280392 – Ridge beam

Y
0280350 – Roof ridge
beam extension



Z
0630816 – Vent screen
x2

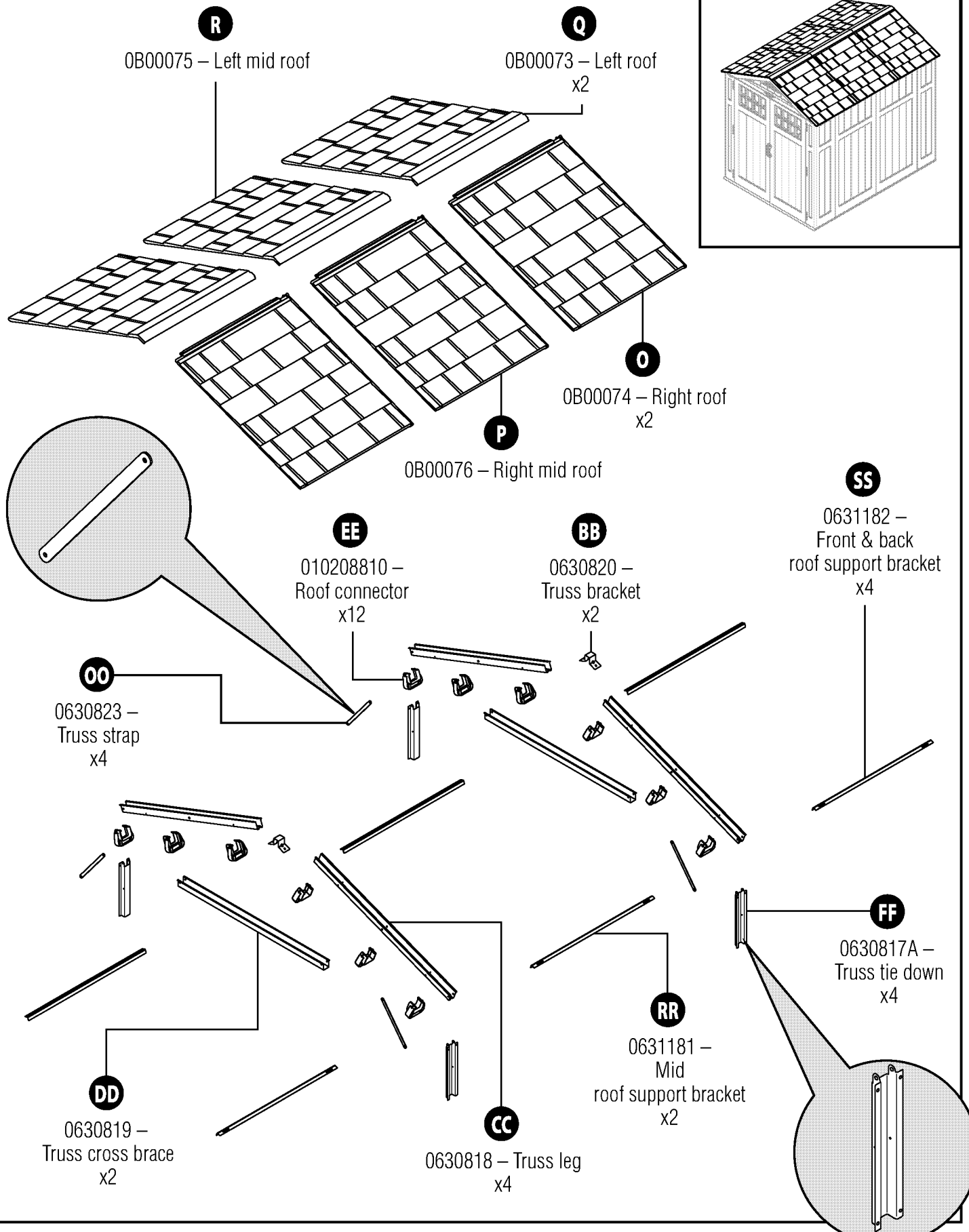
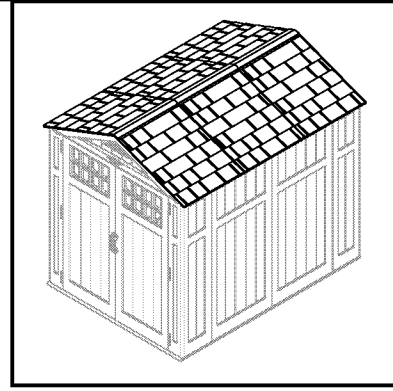
L
0B00086 – Rear header



K
0B00085 – Front header

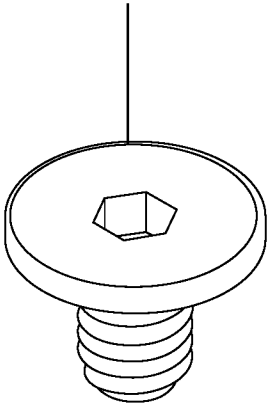
AA
0280372A – Header beam
x2

Parts

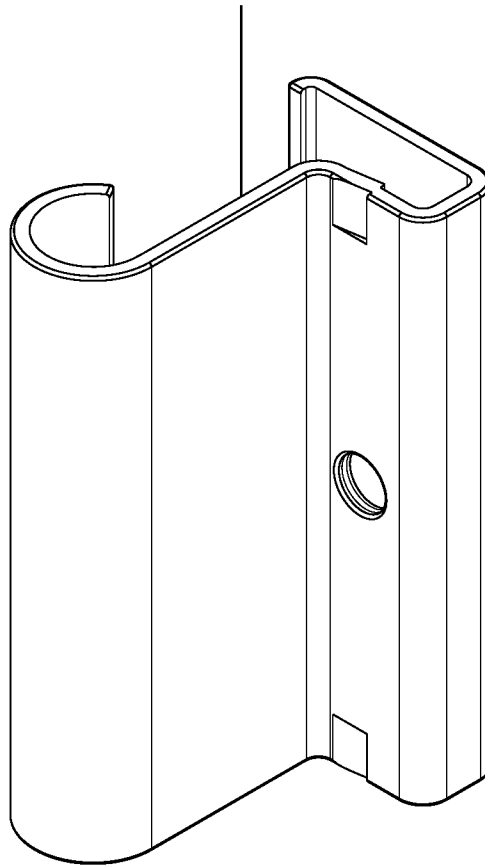


Hardware

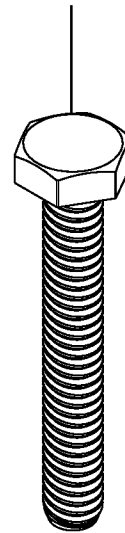
GG
01020188C1 – Easy bolt
x35



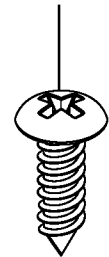
HH
0630814 – Metal hinge plate
x6



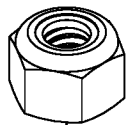
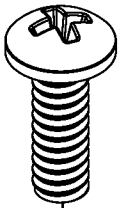
II
0200025 – 2" Hex head cap screw
x12



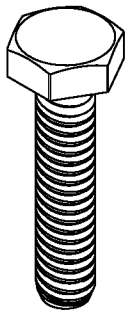
MM
Hardware bag
#0480289
0210180 –
Pan head screw
x35



JJ
0210171 – .25 - 20 x .75
Phillips machine screw
x6



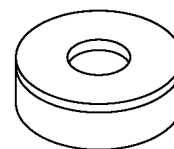
KK
0220047 –
.25 - 20 Nut
x24



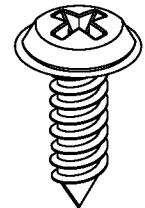
LL
0200033 –
1" Hex head cap screw
x4



NN
Hardware bags
#0480290 &
#0480298A
0630821 –
Pan head screw
x117



PP
0631023 –
#10 Rubber washer
x6



QQ
0631022 –
#10 x .75" Sealing screw
x6

Shown Actual Size

Site Preparation and Platform Construction

(Materials NOT supplied with Shed Kit)

Note: Site preparation is required for this shed. Placing the shed on a constructed foundation is required. Without a constructed foundation, settling will probably occur, causing distortion and damage to the shed. Suncast is not responsible for replacing parts damaged or property lost due to incorrect assembly. Warranty requires foundation.

Note: Complete the site preparation and foundation construction before unpacking parts and beginning assembly. For tips on site preparation, go to www.suncast.com, consult retailer, or local code.

To prepare your shed site, follow the below steps:

- 1) Consult your local authorities for building codes and covenants before beginning foundation or erecting shed.
- 2) Before any digging, check with local utilities to determine location of buried cables, pipes, etc.
- 3) Decide which type of foundation you want:
 - Concrete slab, 4" thick

or

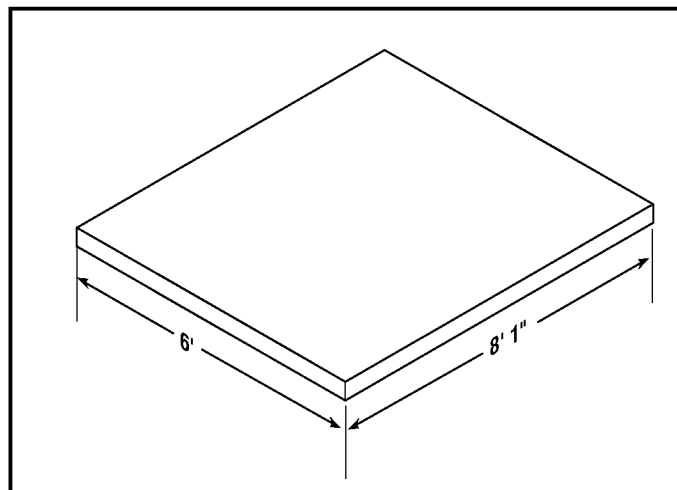
 - Wood platform
Use exterior grade wood. The wood platform should be set on pier blocks or footing. Consult your local retailer for help to determine the best anchoring method for your particular installation. The provided plans are sized for the minimum number of cuts to lumber and plywood.
- 4) Prepare the building site:
 - The ground should slope away from the foundation area to provide drainage.
 - The foundation surface must be flat and level.
 - A vapor barrier should be provided to prevent excessive condensation in the shed.
 - Follow local building codes for a proper vapor barrier.
- 5) Anchoring the shed to the foundation:
 - Consult your local retailer for help to determine the best anchoring method for your particular installation.
 - To secure the shed to a concrete pad, use masonry fasteners available at your local hardware retailer.
 - To secure the shed to a wood platform, use 1/4" x 3" long lag screws with washers. See diagram on page 10 for anchoring locations.

Site Preparation and Platform Construction (continued)

(Materials NOT supplied with Shed Kit)

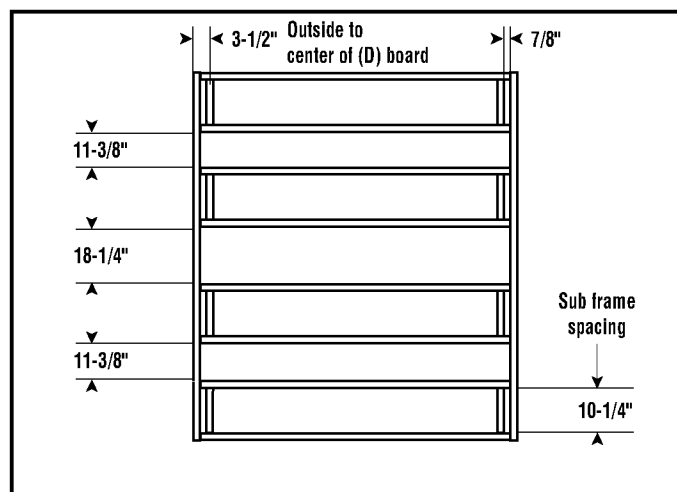
Anchoring floor panel to concrete slab

- Secure shed to concrete pad using masonry fasteners.
- Dimensions allow for shed to fit within the nearest 1" on each side.



Wood platform critical spacing

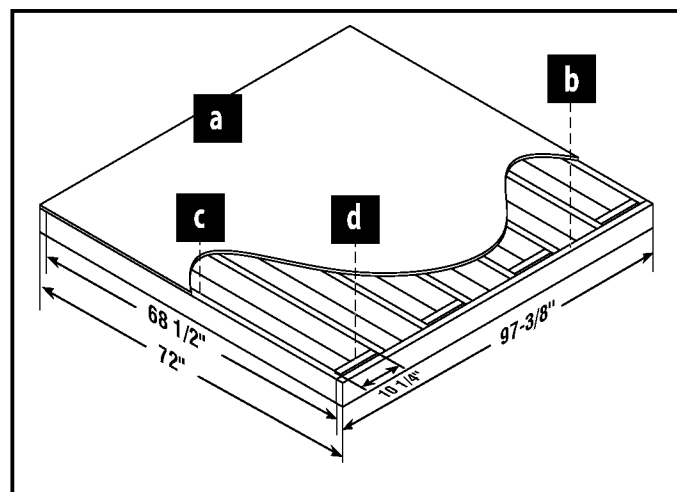
- Check all critical spacing measurements.



Anchoring floor panel to wood platform

- Secure shed to wood platform using 1/4" x 3" lag screws.

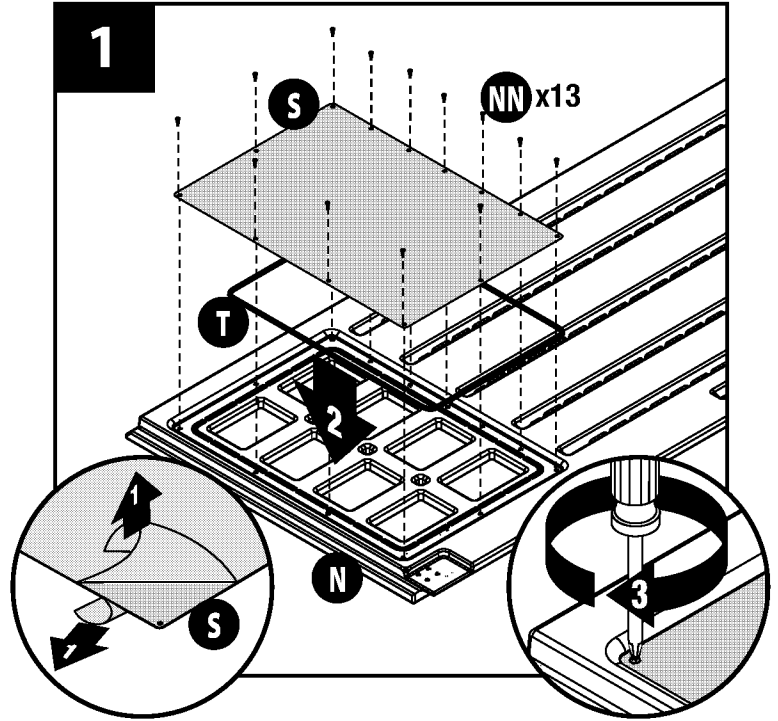
Wood Platform Materials List		
Item	Qty	Size
a	1	72" x 97 3/8" x 3/4" platform base
b	2	2" x 6" x 97 3/8"
c	8	2" x 6" x 68 1/2"
d	8	2" x 6" x 10 1/4"



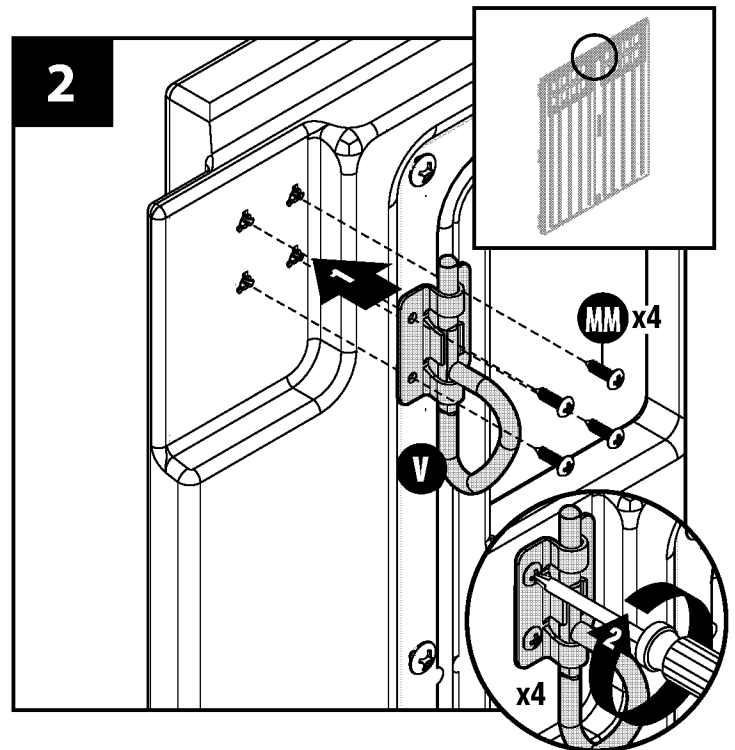
Door Pre-Assembly

Peel film from both sides of window (S). Lay left door (N) on flat ground with the window screw attachments facing up. Layer into the door channel first the window gasket (T), then the window (S). Cut excess gasket length. Through the back of the door, secure layers with thirteen screws (NN) (start with four corner screws and then finish with remaining screws). **DO NOT** over tighten screws. Repeat on right door (M).

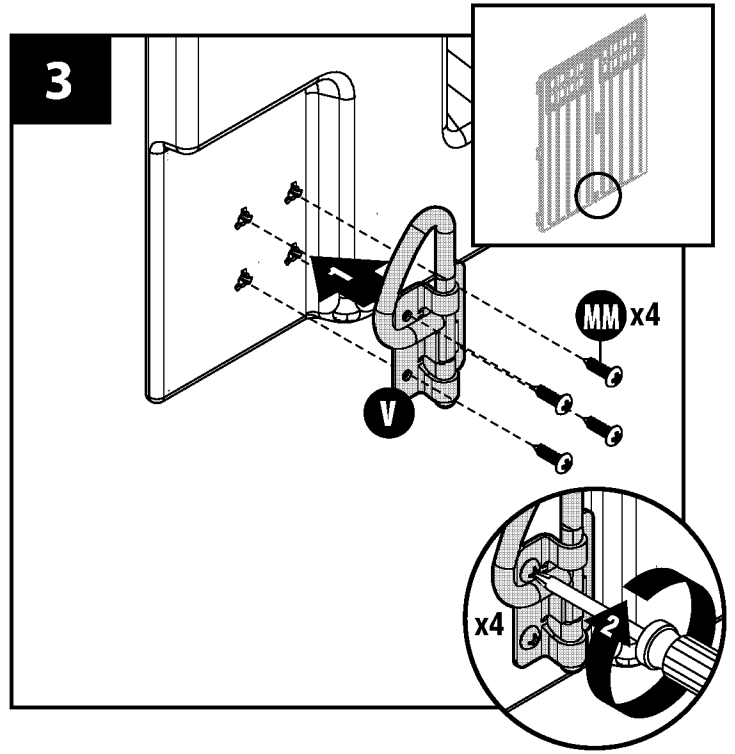
Note: The cut portion of the window gasket (T) **MUST** be assembled to the top of the door channel.



At the top interior side of left door, attach D-ring slide bolt (V) with four screws (MM) through provided holes.

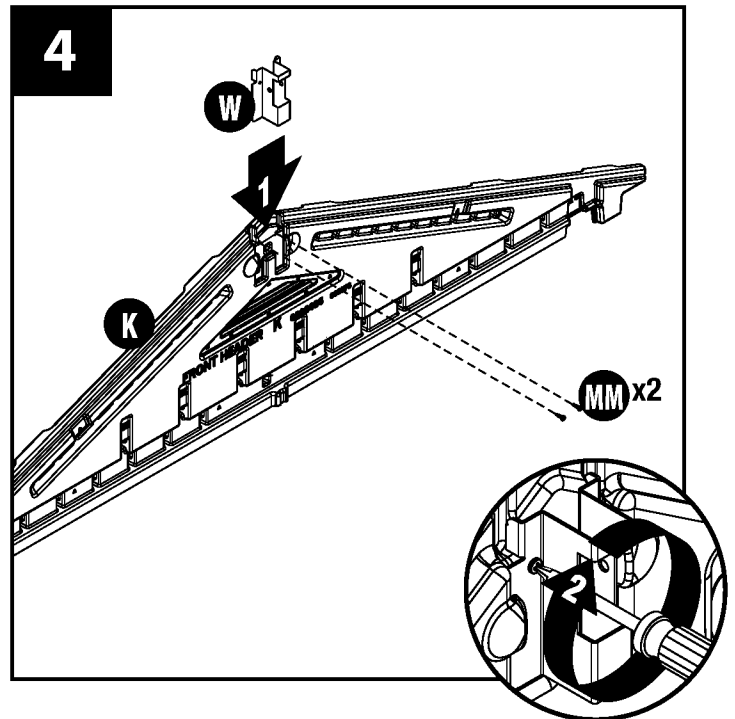


At the bottom interior side of left door, attach D-ring slide bolt (V) with four screws (MM) through provided holes.

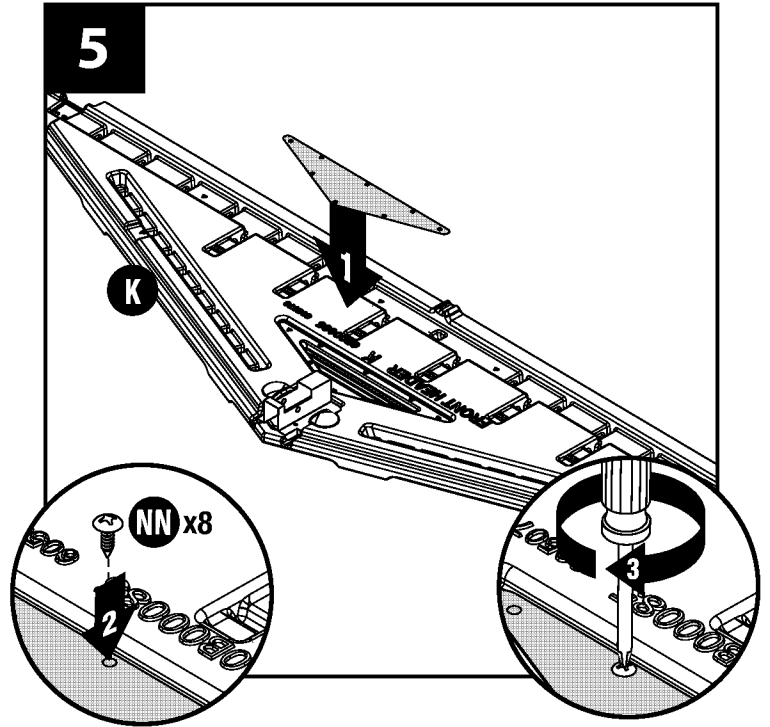


Header Pre-Assembly

Slide roof ridge beam bracket (W) under tabs on the inside peak of the front header (K) and secure with two screws (MM). **DO NOT** over tighten screws. Repeat for rear header (L).

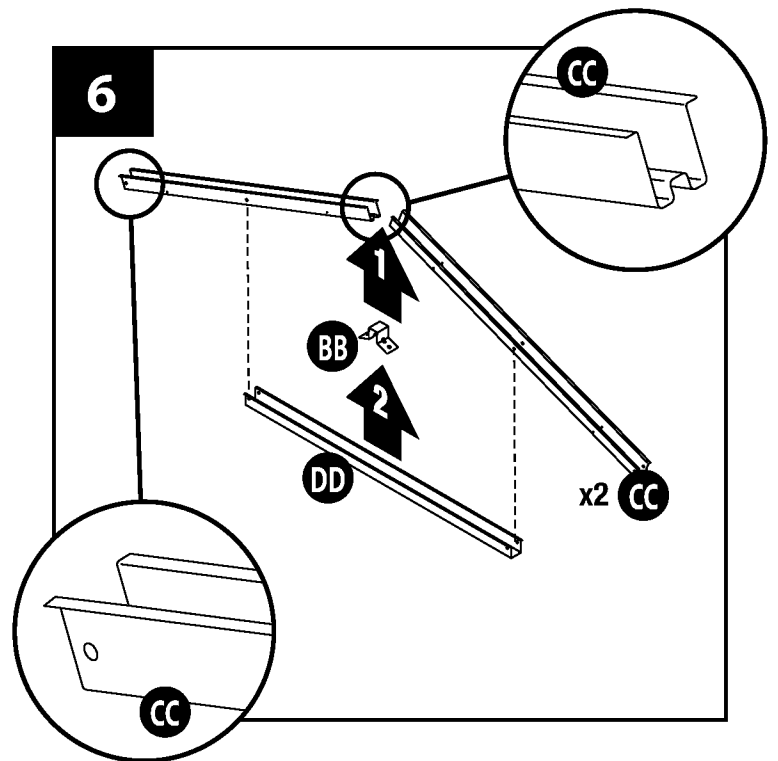


Lay front header (K) on ground with lettering facing up. Place vent screen (Z) into rear opening in front header (K). Secure through back of header with eight screws (NN). **DO NOT** over tighten screws. Repeat for rear header (L).

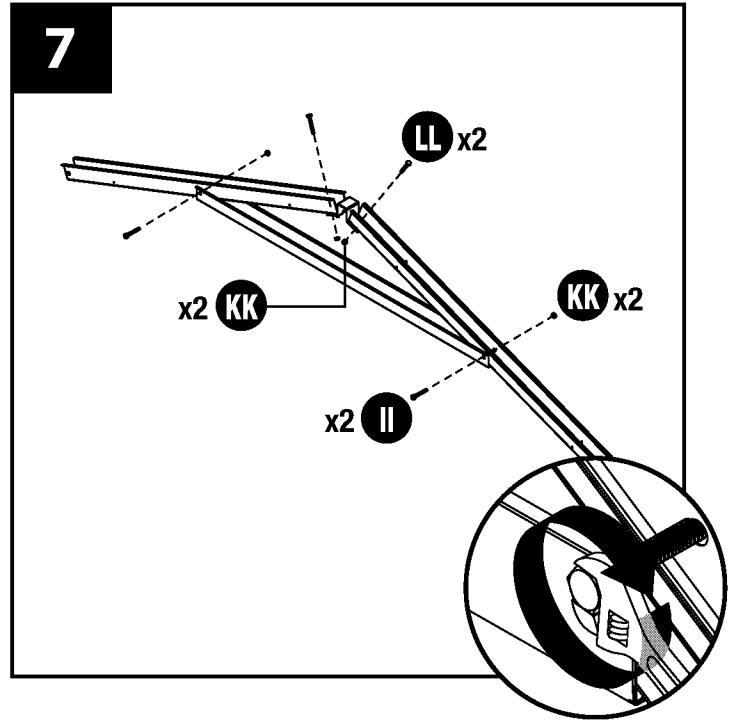


Truss Pre-Assembly

Place one truss leg (CC) at each side of the truss bracket (BB). Place truss cross brace (DD) under both truss legs.

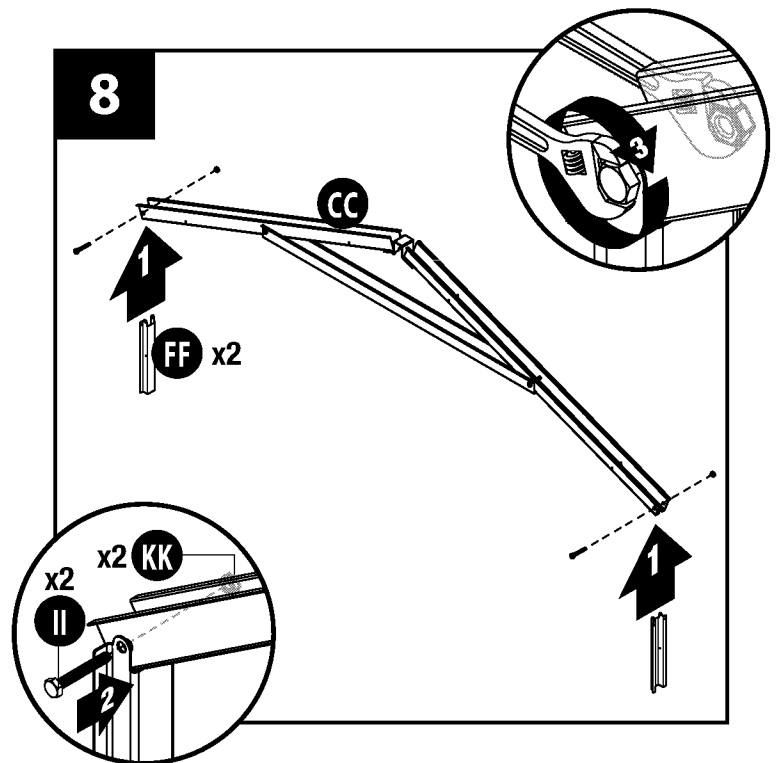


Attach truss legs to truss bracket using one 1" hex head cap screw (LL) and one nut (KK) at each end of bracket. Attach truss cross brace to truss legs using one 2" hex head cap screw (II) and one nut (KK) at each end of truss cross brace. Stand A-configuration truss on its feet and check truss cross brace is level. Repeat Steps 6 and 7 for second truss.

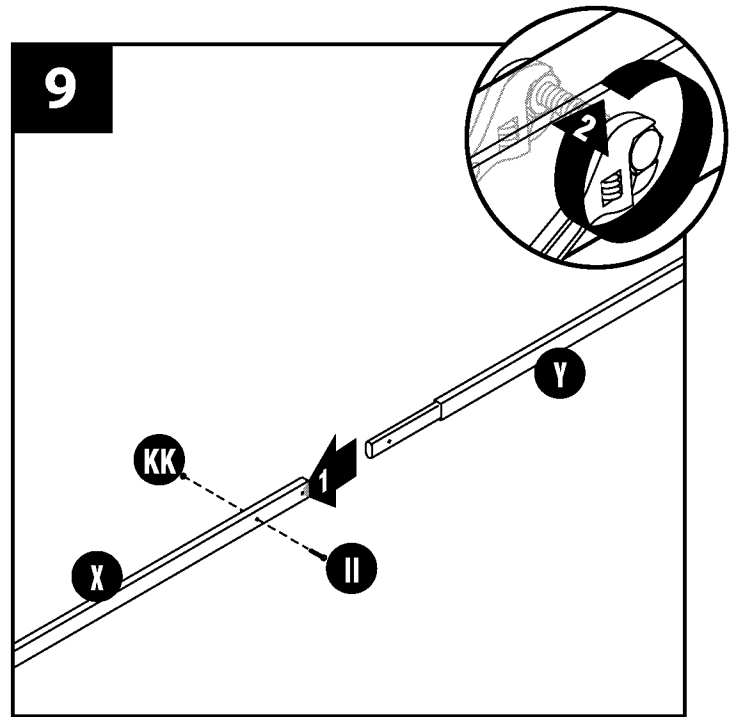


Place one truss tie down (FF) at each end of truss legs (CC). Secure each truss tie down with one 2" hex head cap screw (II) and one nut (KK). Repeat for second truss.

Note: DO NOT over tighten truss tie down (FF) onto end of truss legs (CC). Roof panels will assemble to truss legs (CC) in later step. After shed assembly is completed, check that all hardware is securely fastened.

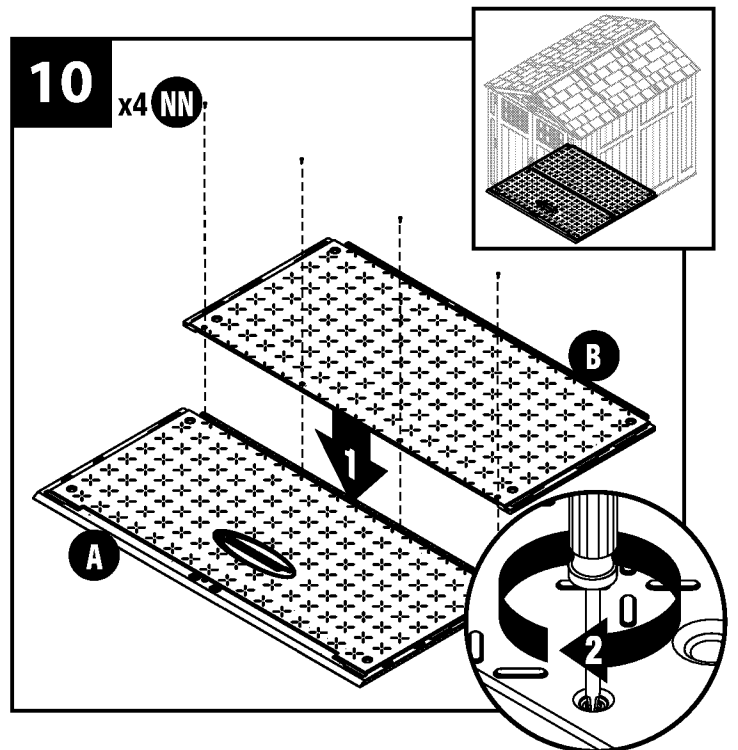


Insert the roof ridge beam extension (Y) into the ridge beam (X). Secure with one 2" hex head cap screw (II) and one nut (KK).

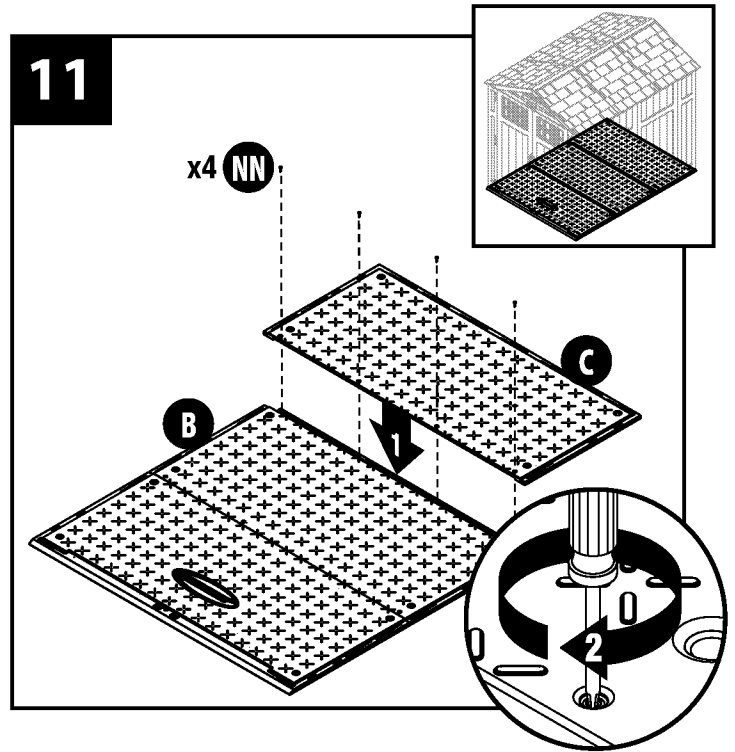


Shed Assembly

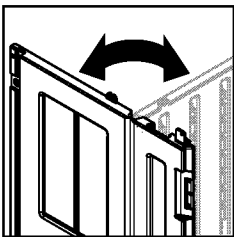
Align the tongue in front floor (A) with the groove in mid floor (B) and secure with four screws (NN).



Align the tongue in mid floor (B) with the groove in rear floor (C) and secure with four screws (NN).

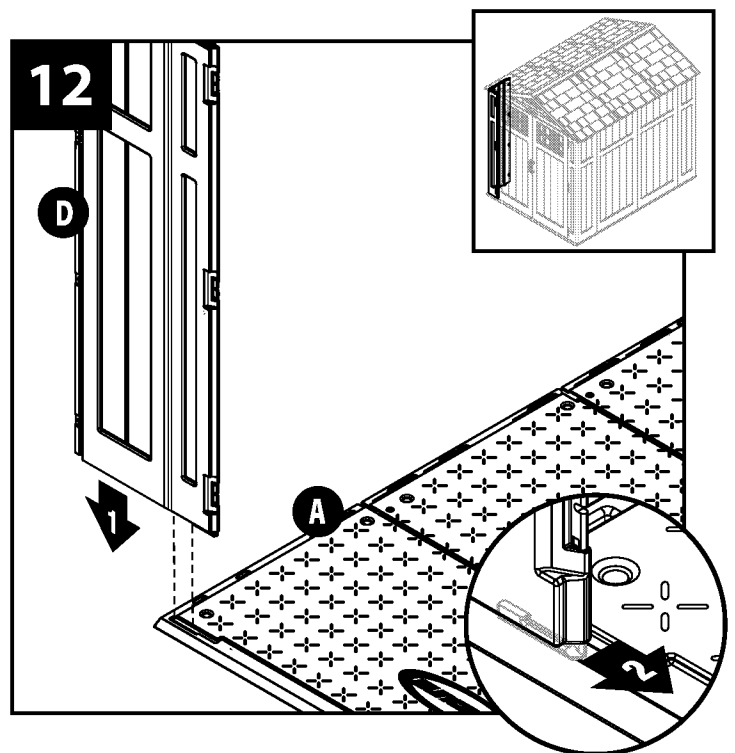
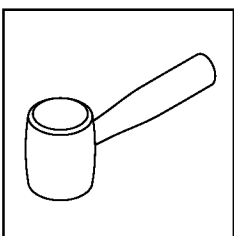


Critical: Flex left front corner (D) hinge back and forth several times. This will help provide a square corner and ensure proper fit of remaining panels.



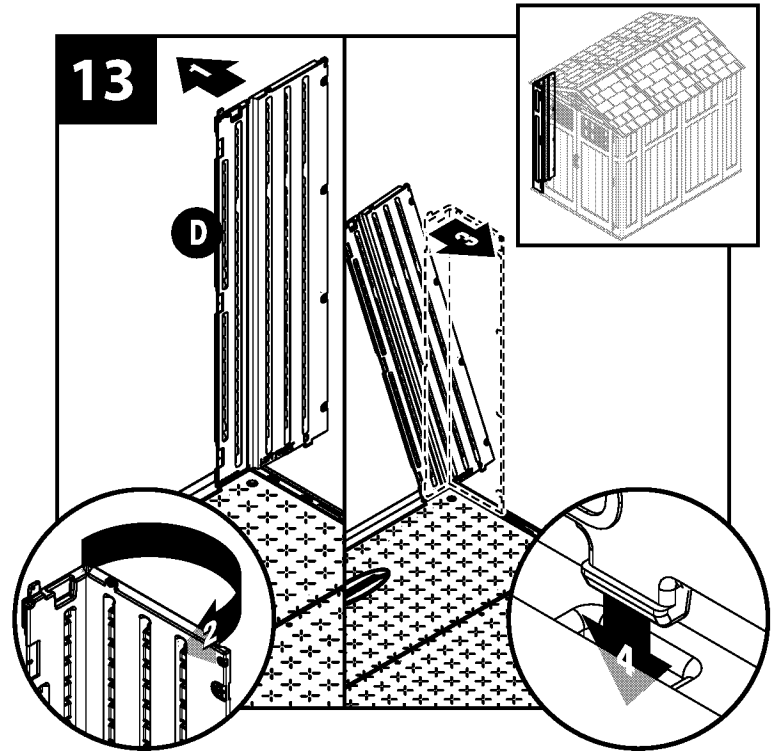
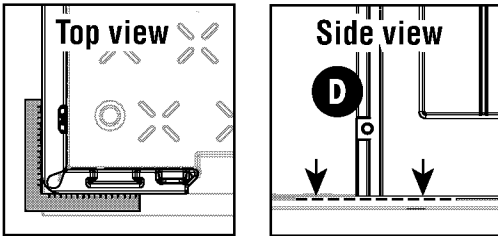
With at least two people, align the tab on the bottom right side of the left front corner (D) with the slot on front floor (A). Lower the panel into the slot and lock in place by sliding the panel toward the door opening.

Note: Use a rubber mallet to “push” left front corner (D) into locked position.



Tip the left front corner (D) outward slightly. Bend the corner, then tip the panel back to vertical position, making sure to align the lower tabs on the right side with the slots in the front floor.

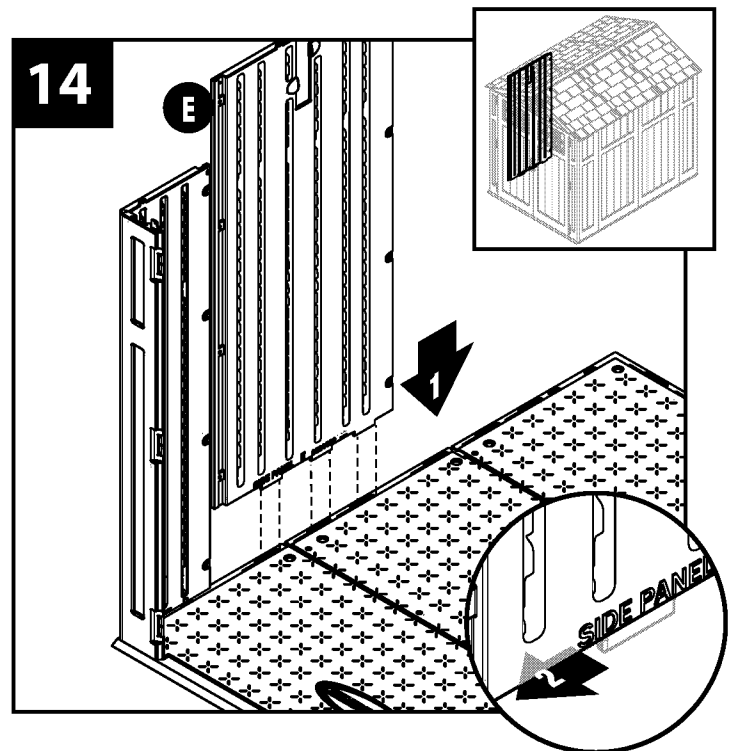
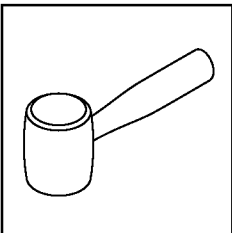
Before proceeding, make sure the corner is square where it meets the floor and that the panel is flush with the floor. If not, repeat Steps 12 and 13 until square and flush.



With at least two people, align the tabs on the bottom of side panel (E) with the slots along the left side of the front and mid floor panels. Lower the panel into the slots and lock in place by sliding the panel toward the corner.

Note: To allow the side panel to overlap front left corner, tilt out slightly as you slide it into position.

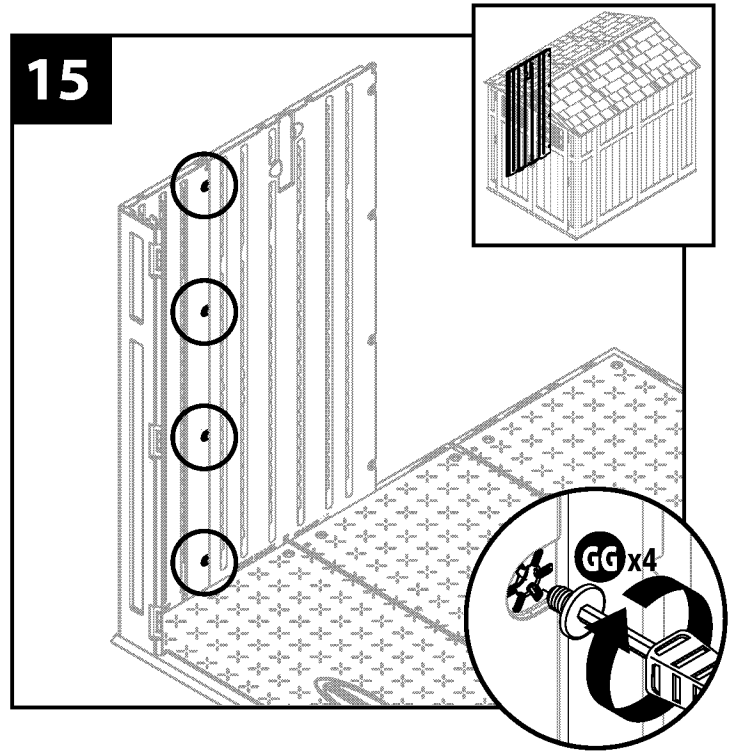
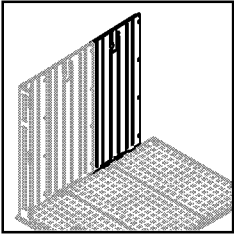
Note: Use a rubber mallet to “push” side panel (E) into locked position, aligned with left front panel.



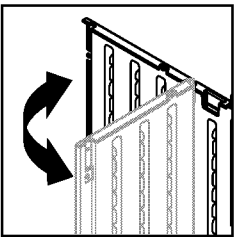
Secure the corner with four easy bolts (GG). Work from floor to roof. **DO NOT** use torque wrench. Use easy bolt easy driver and hand tighten. Easy bolt head will be flush when fully seated. **DO NOT** over tighten easy bolts.

Note: You may hear a click when the easy bolt has been tightened completely.

Repeat Steps 14 and 15 for next left side panel.

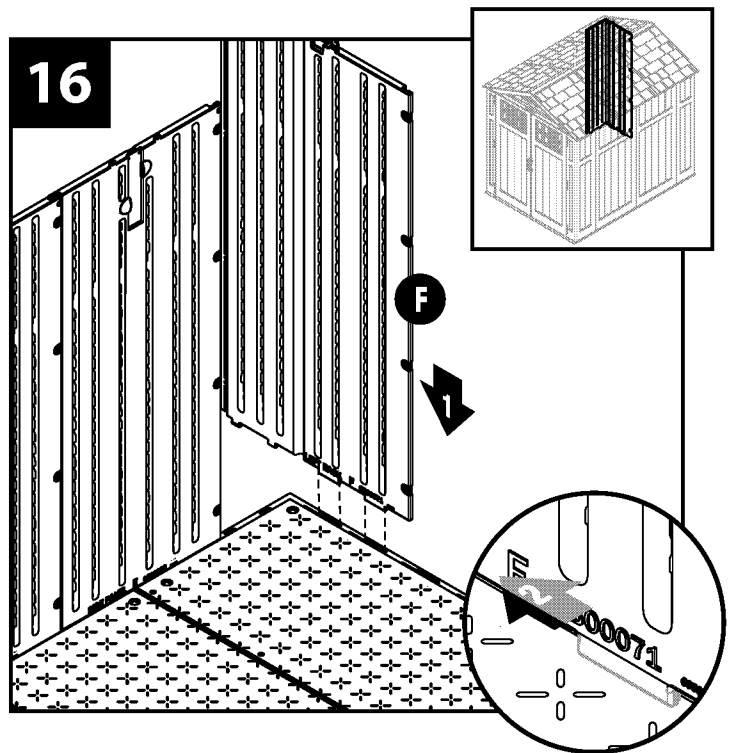
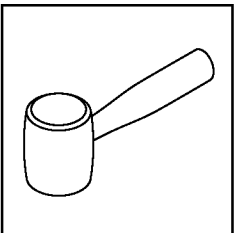


Critical: Flex left back corner (F) hinge back and forth several times. This will help provide a square corner and ensure proper fit of remaining panels.



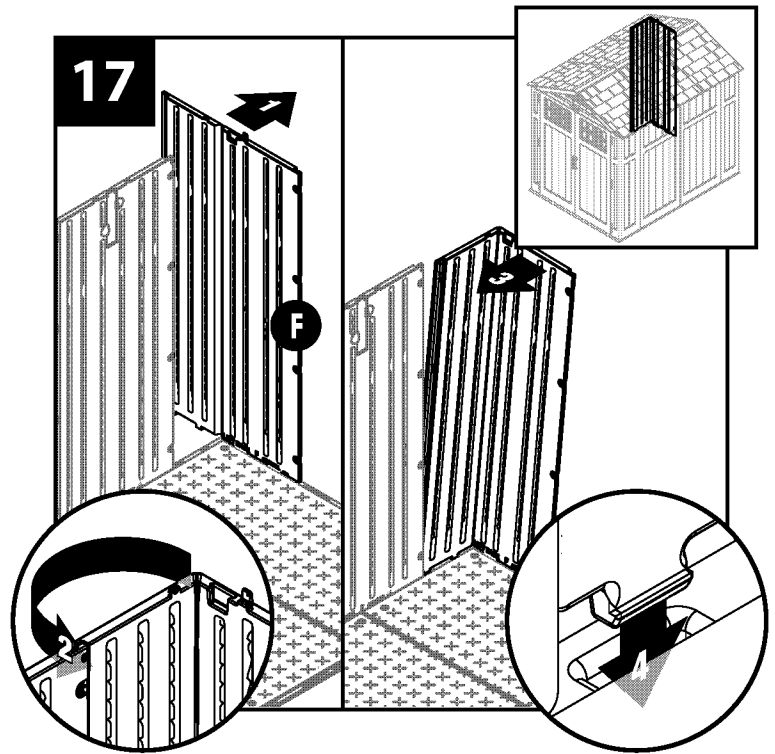
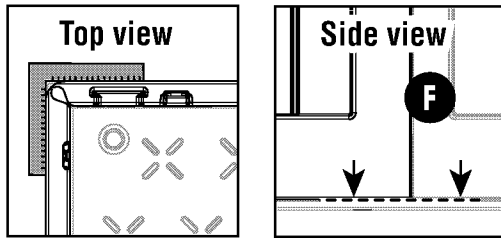
With at least two people, align the tabs on the bottom right side of left back corner (F) with slots along rear floor. Lower the panel into the slots and lock in place by sliding the panel toward the corner.

Note: Use a rubber mallet to “push” left back corner (F) into locked position.



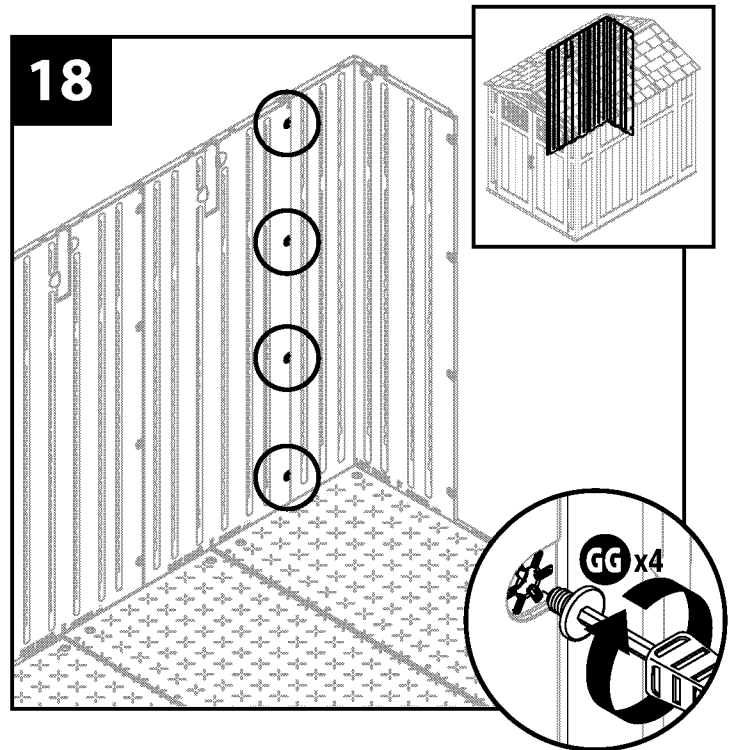
Tip the left back corner (F) outward slightly. Bend the corner hinge, then tip the panel back to vertical position making sure to align the lower tabs on the left side with the slots in the rear floor. Left back corner should align and overlap previously installed side panel.

Before proceeding, make sure the corner is square where it meets the floor and that the panel is flush with the floor. If not, repeat Steps 16 and 17 until square and flush.



Secure the corner with four easy bolts (GG). Work from floor to roof. **DO NOT** use torque wrench. Use easy bolt easy driver and hand tighten. Easy bolt head will be flush when fully seated. **DO NOT** over tighten easy bolts.

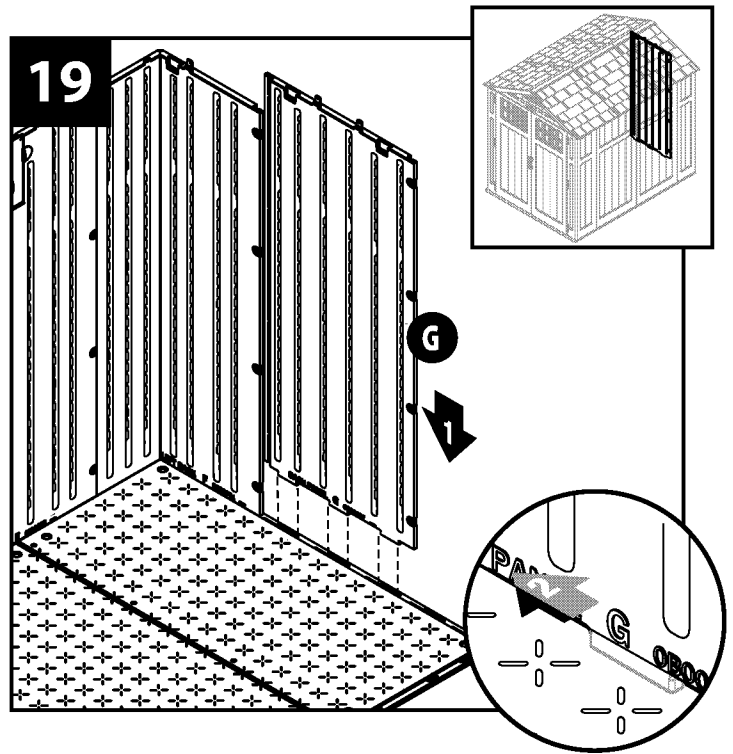
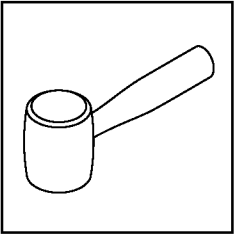
Note: You may hear a click when the easy bolt has been tightened completely.



With at least two people, align the tabs on the bottom of back panel (G) with the slots along the rear floor. Lower back panel into the slots and lock in place by sliding the panel toward the corner.

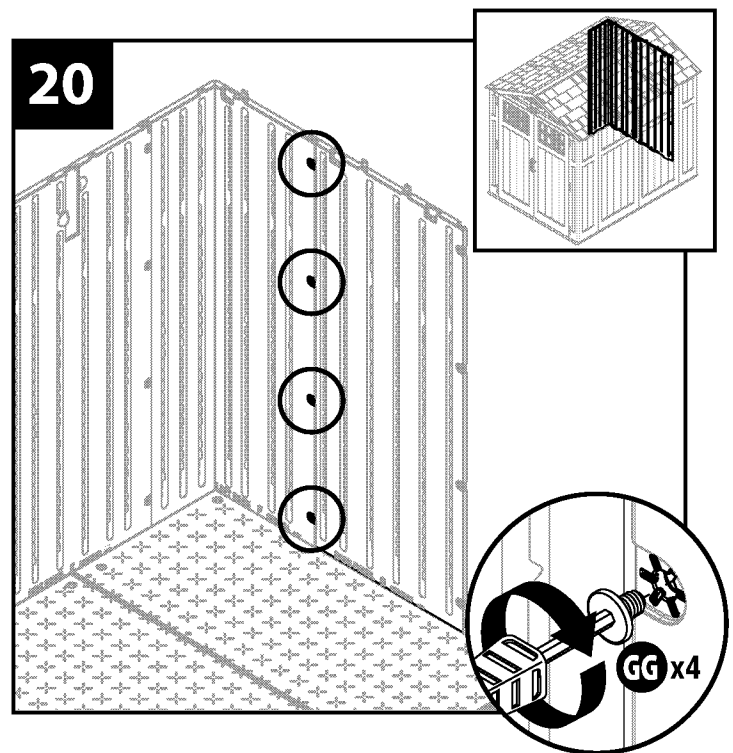
Note: To allow the back panel to overlap left back corner, tilt out slightly as you slide it into position.

Note: Use a rubber mallet to “push” side panel (G) into locked position, aligned with left back corner.

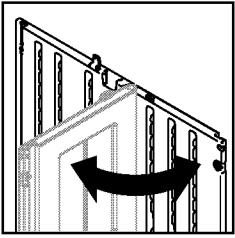


Secure the back panel with four easy bolts (GG). Work from floor to roof. **DO NOT** use torque wrench. Use easy bolt easy driver and hand tighten. Easy bolt head will be flush when fully seated. **DO NOT** over tighten easy bolts.

Note: You may hear a click when the easy bolt has been tightened completely.



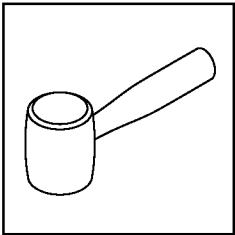
Critical: Flex right back corner (H) hinge back and forth several times. This will help provide a square corner and ensure proper fit of remaining panels.



With at least two people, align the tabs on the bottom left side of right back corner (H) with slots along rear floor. Lower the panel into the slots and lock in place by sliding the panel toward the back panel.

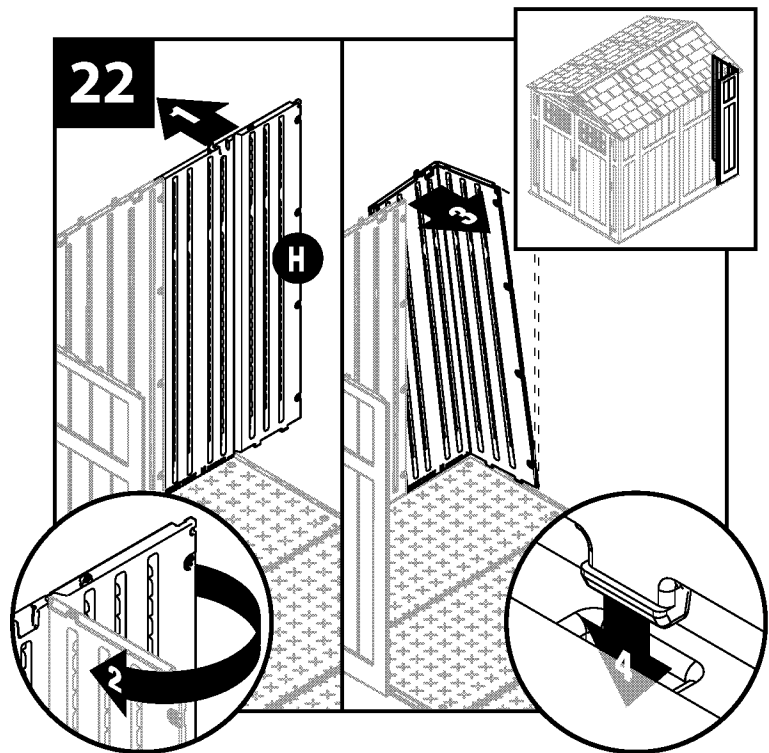
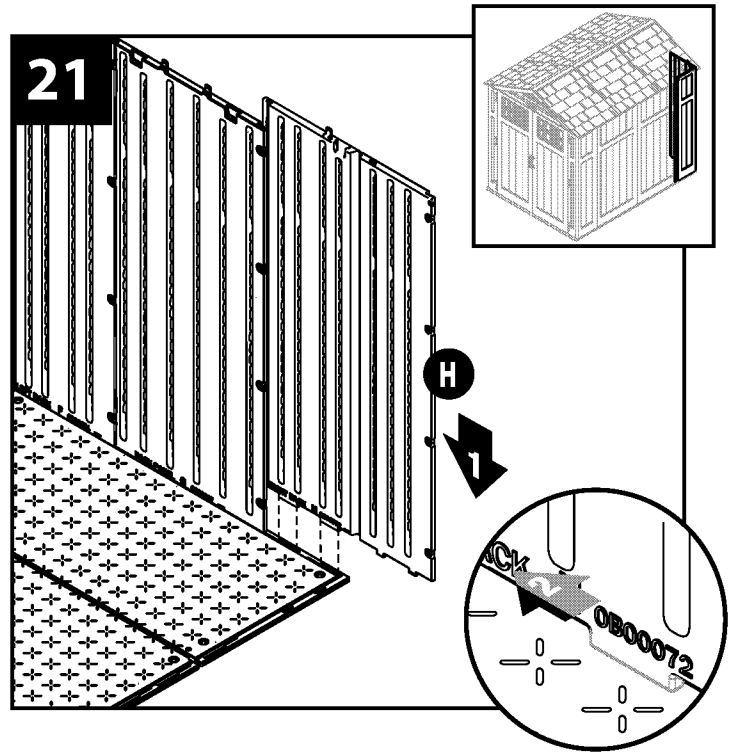
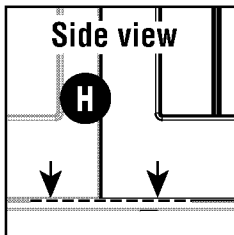
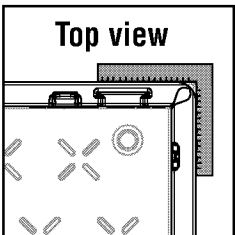
Note: To allow the right back corner to overlap back panel, tilt out slightly as you slide it into position.

Note: Use a rubber mallet to “push” right back corner (H) into locked position, aligned with previously installed back panel.



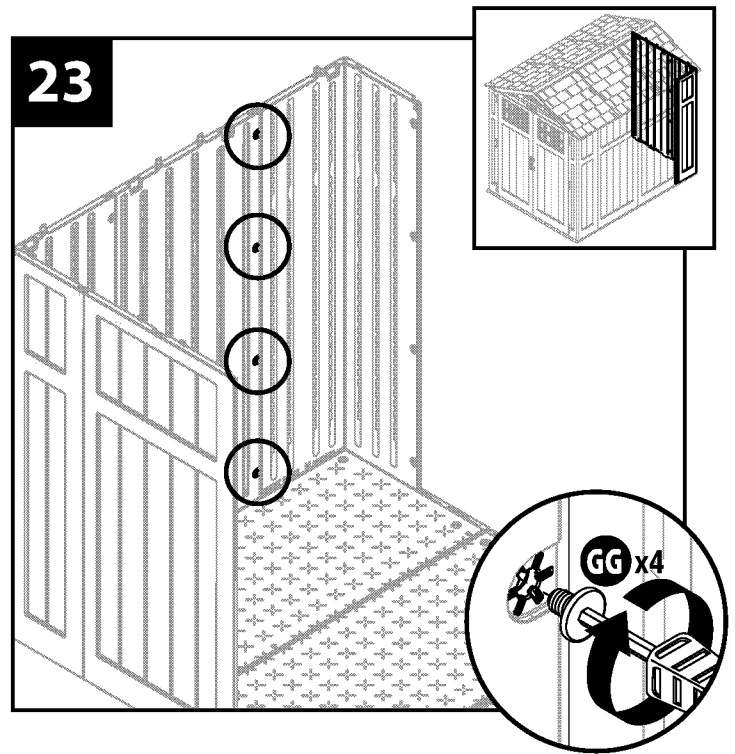
Tip the right back corner (H) outward slightly. Bend the corner hinge, then tip the panel back to vertical position making sure to align the lower tabs on the right side with the slots in the rear floor.

Before proceeding, make sure the corner is square where it meets the floor and that the panel is flush with the floor. If not, repeat Steps 21 and 22 until square and flush.



Secure the corner with four easy bolts (GG). Work from floor to roof. **DO NOT** use torque wrench. Use easy bolt easy driver and hand tighten. Easy bolt head will be flush when fully seated. **DO NOT** over tighten easy bolts.

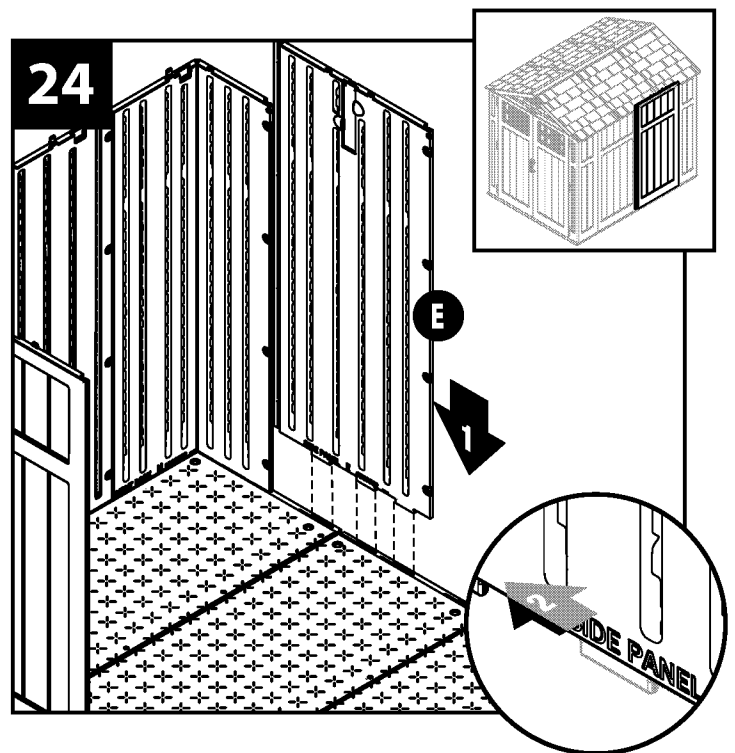
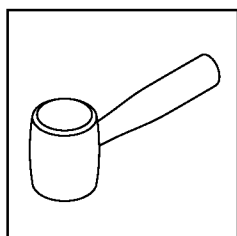
Note: You may hear a click when the easy bolt has been tightened completely.



With at least two people, align the tabs on the bottom of side panel (E) with the slots along the mid and rear floor. Lower the side panel into the slots and lock in place by sliding the panel toward the rear corner.

Note: To allow the side panel to overlap the right back corner, tilt out slightly as you slide it into position.

Note: Use a rubber mallet to “push” side panel (E) into locked position, aligned with right back corner.

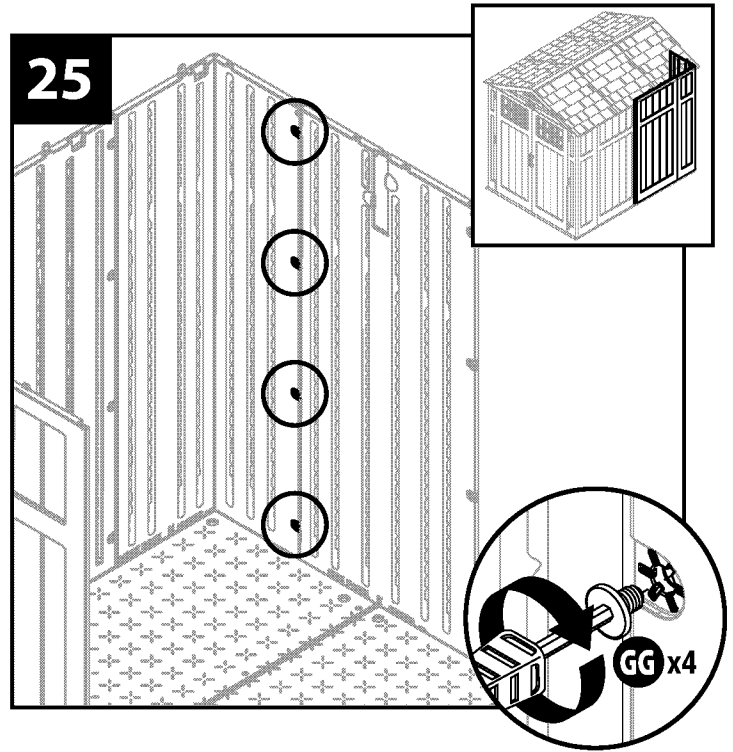
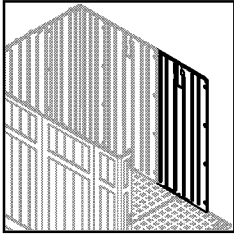


For clarity, illustration is shown with left front corner and left side panel removed.

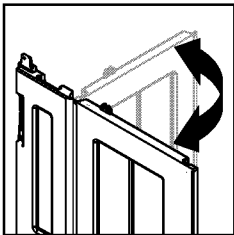
Secure to the corner with four easy bolts (GG). Work from floor to roof. **DO NOT** use torque wrench. Use easy bolt easy driver and hand tighten. Easy bolt head will be flush when fully seated. **DO NOT** over tighten easy bolts.

Note: You may hear a click when the easy bolt has been tightened completely.

Repeat Steps 24 and 25 for next right side panel.

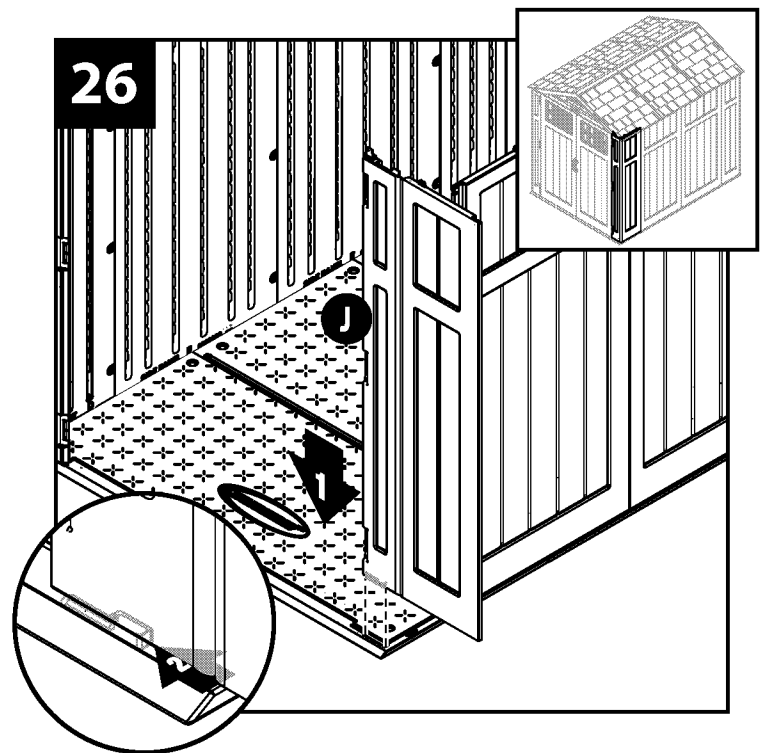
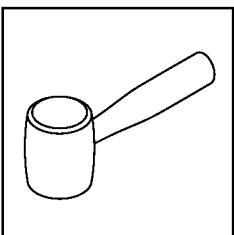


Critical: Flex right front corner (J) hinge back and forth several times. This will help provide a square corner and ensure proper fit of remaining panels.



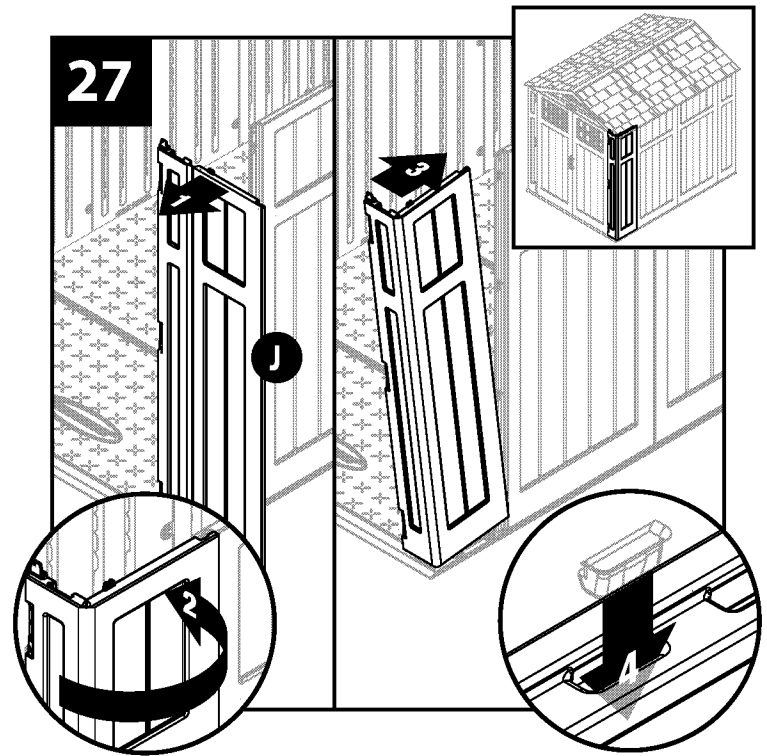
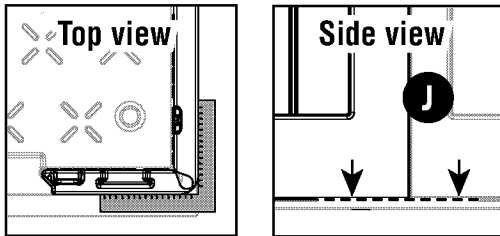
With at least two people, align the tabs on the bottom left side of right front corner (J) with slots along front of front floor. Lower the corner into the slots and lock in place by sliding the corner toward the door opening.

Note: Use a rubber mallet to “push” right front corner (J) into locked position.



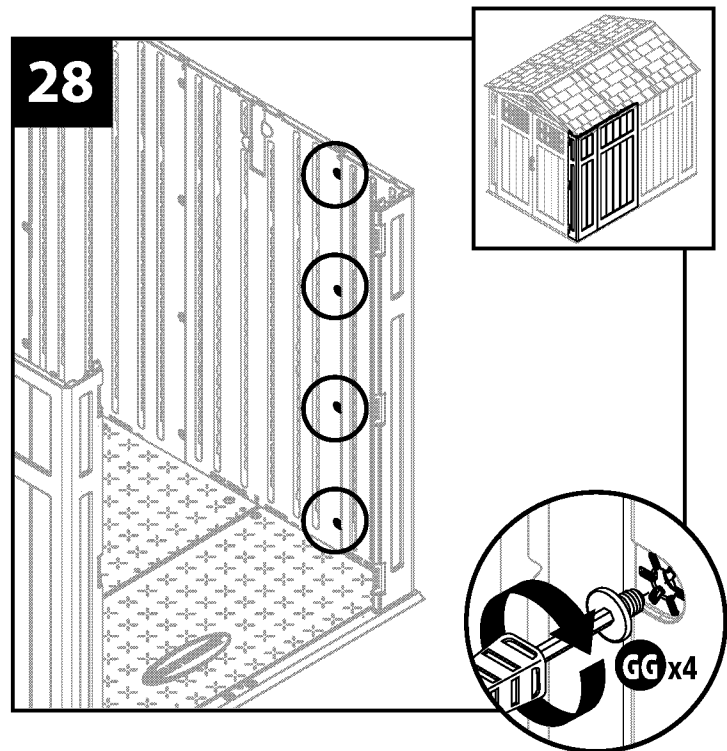
Tip the right front corner (J) outward slightly. Bend the corner hinge, then tip the panel back to vertical position making sure to align the lower tabs on right side with the slots in the front floor.

Before proceeding, make sure the corner is square where it meets the floor and that the panel is flush with the floor. If not, repeat Steps 26 and 27 until square and flush.



Secure the corner with four easy bolts (GG). Work from floor to roof. **DO NOT** use torque wrench. Use easy bolt easy driver and hand tighten. Easy bolt head will be flush when fully seated. **DO NOT** over tighten easy bolts.

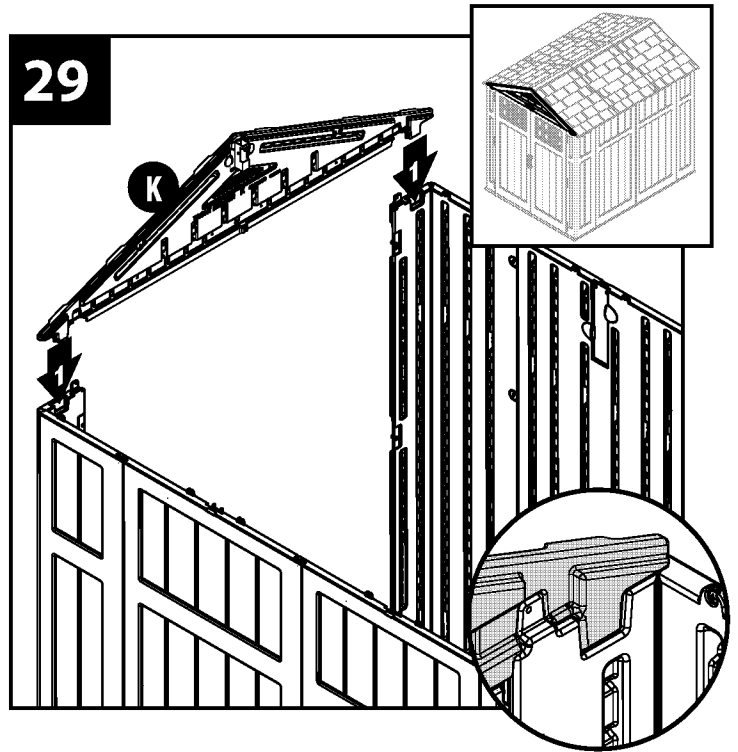
Note: You may hear a click when the easy bolt has been tightened completely.



With at least two people, place front header (K) over the door opening and fit the two protruding support legs on the left and right front corners into the pockets molded in the front header.

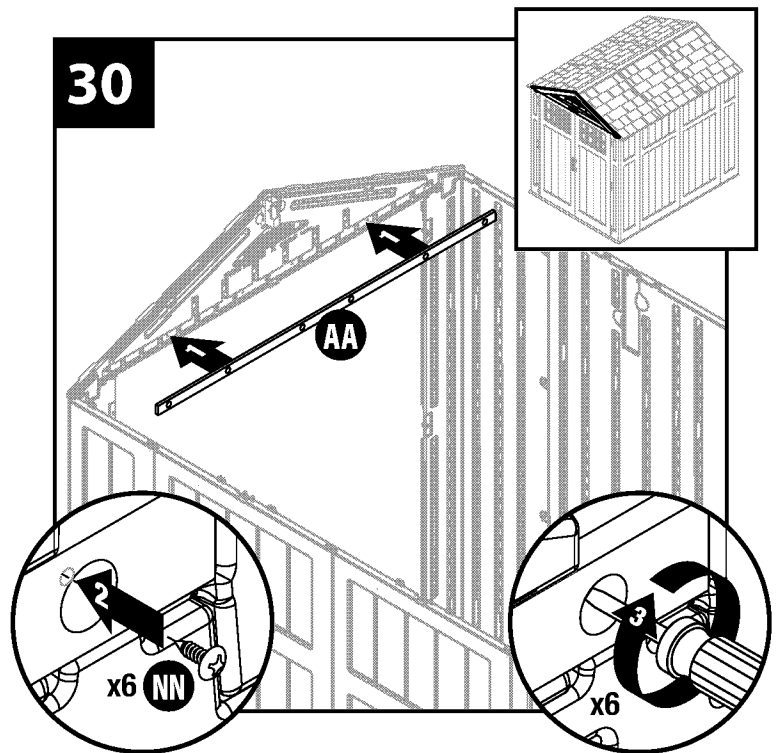
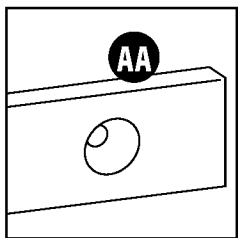
Tabs on front header must be seated in header channel pocket.

Note: DO NOT leave front header unsupported until header beam (AA) is secured (step 30).

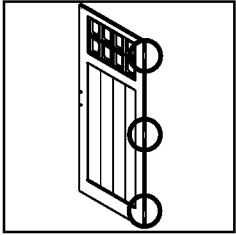


Secure the front header with the header beam (AA) and attach with six screws (NN).

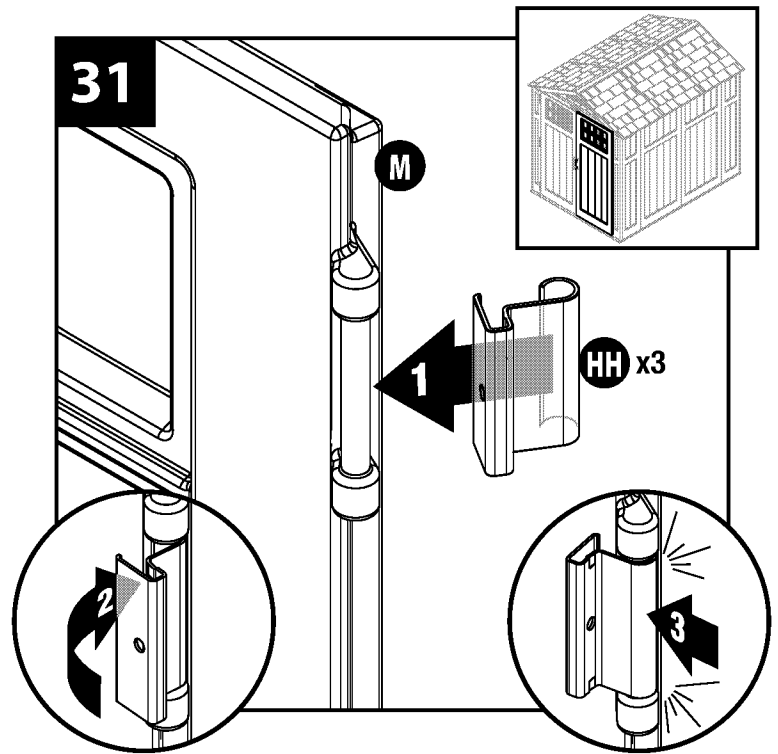
Note: Header beam (AA) has large holes on one side and small holes on the other side. The small holes must face the header.



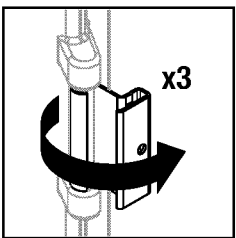
Stand the right door (M) upright with the three hinge mounts facing right. Slide one metal hinge plate (HH) onto each hinge mount. Rotate the hinge plates to the outside of the door. Snap the metal hinge plate into place by pushing towards door.



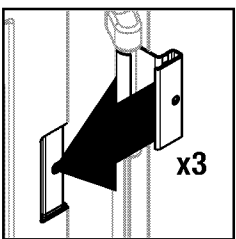
Repeat for left door (N).



Rotate metal hinge plates to open position.

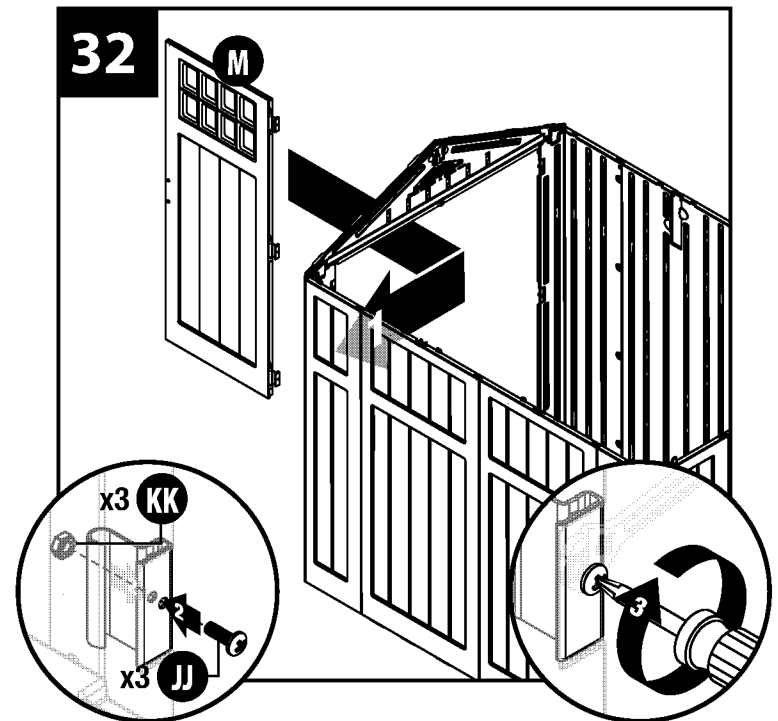


Slide one metal hinge plate over each hinge receptacle on the inside of right front panel.



Secure each metal hinge plate with one screw (JJ) and one nut (KK).

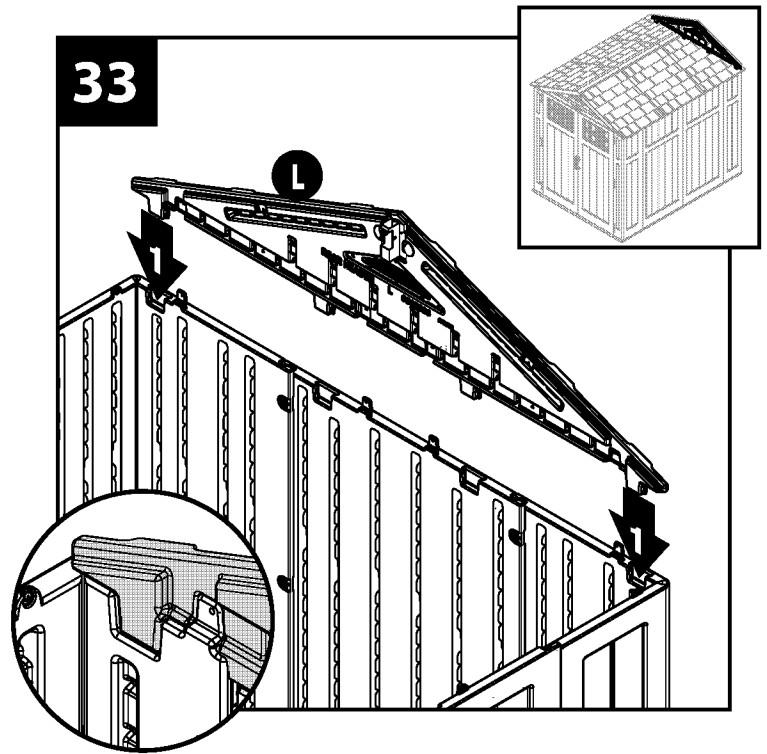
Repeat for left door (N).



With at least two people, place rear header (L) over the back walls and fit the two protruding support legs on the left and right back corners into the pockets molded in the rear header.

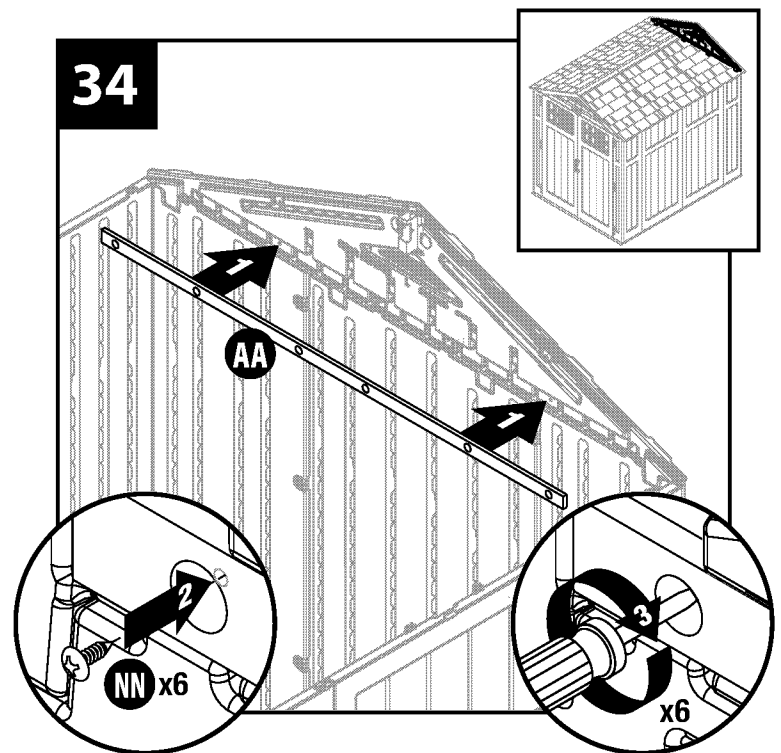
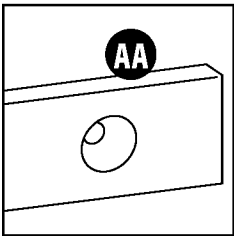
Tabs on rear header must be seated in header channel pocket.

Note: DO NOT leave rear header unsupported until header beam (AA) is secured (step 34).



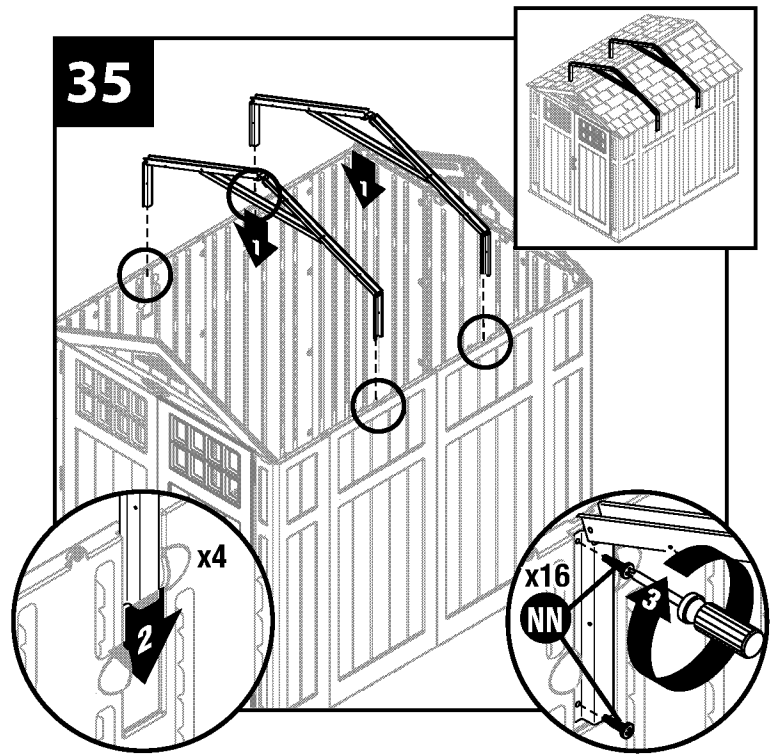
Secure the rear header with the header beam (AA) and attach with six screws (NN).

Note: Header beam (AA) has large holes on one side and small holes on the other side. The small holes must face the header.



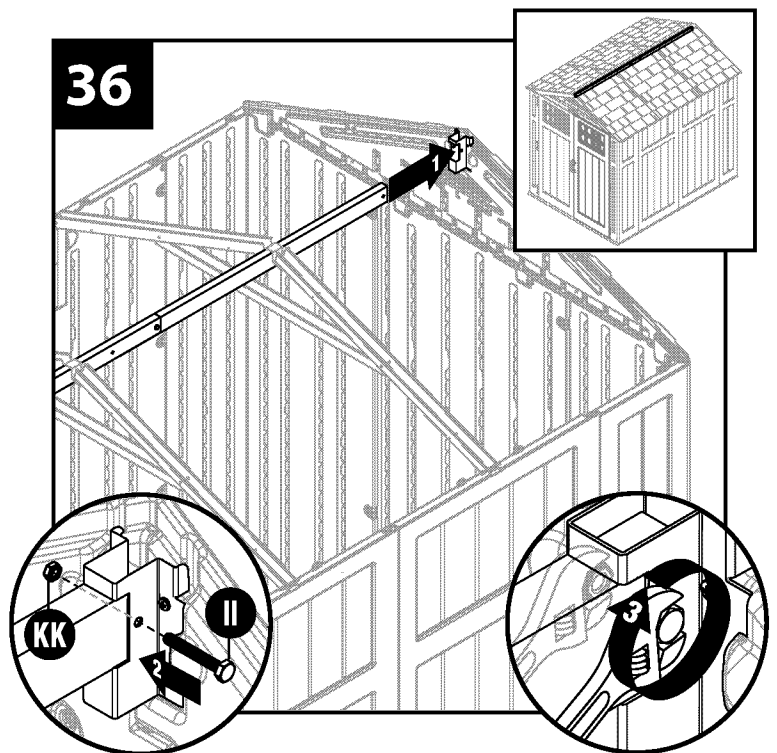
With at least two people, slide the truss assemblies into place, then secure to the side panels with four screws (NN) in each truss tie down.

Note: This may require the side panels to be pushed inwards or outwards slightly as the brackets are slid into place.



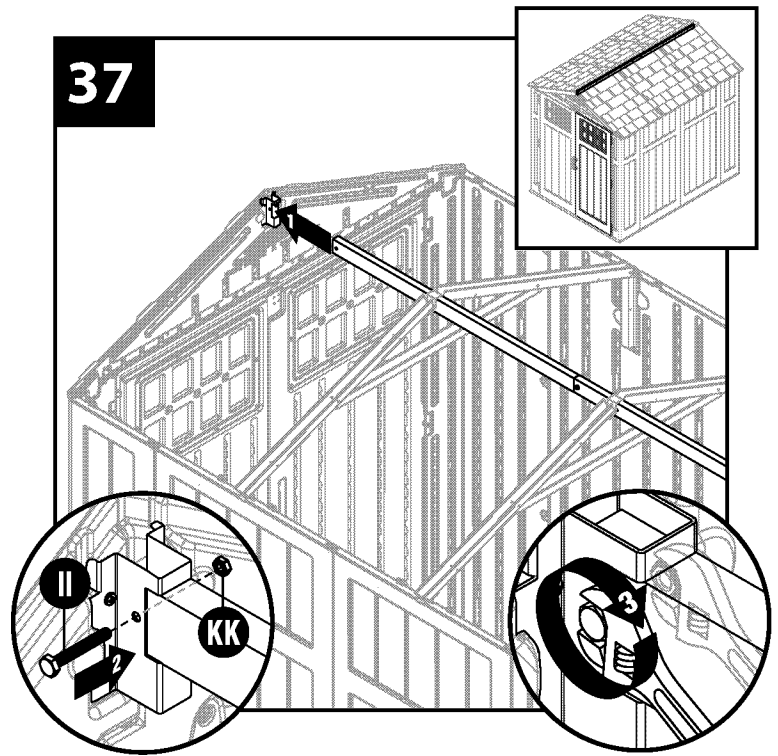
With at least two people, raise the ridge beam assembly up and into the rear roof ridge beam bracket. Secure with one 2" hex head cap screw (II) and one nut (KK).

Note: Alignment of the ridge beam to the bracket may require the header panels to be pushed inwards or outwards slightly as the ridge beam is slid into place.

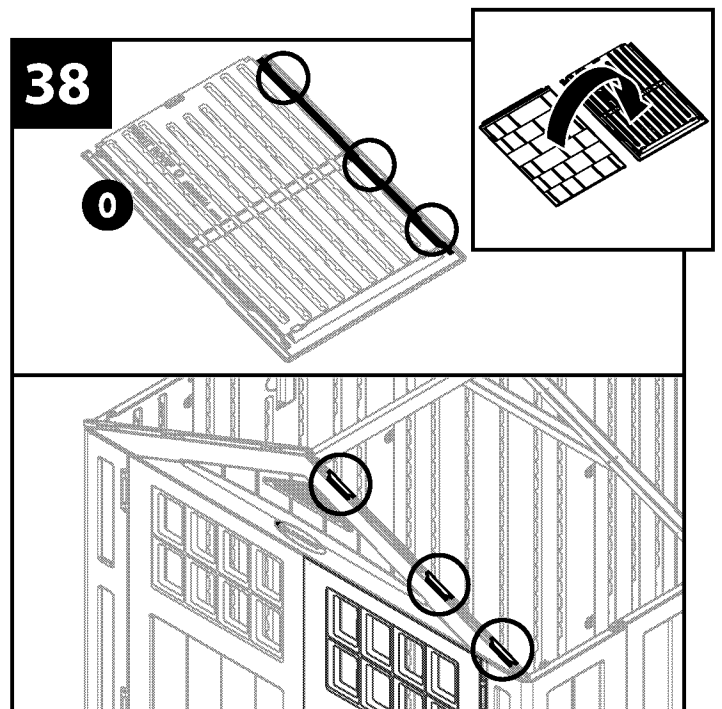
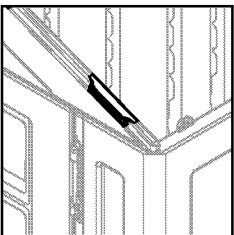
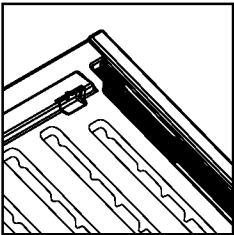


With at least two people, slide the ridge beam assembly into the front roof ridge beam bracket. Secure with one 2" hex head cap screw (II) and one nut (KK).

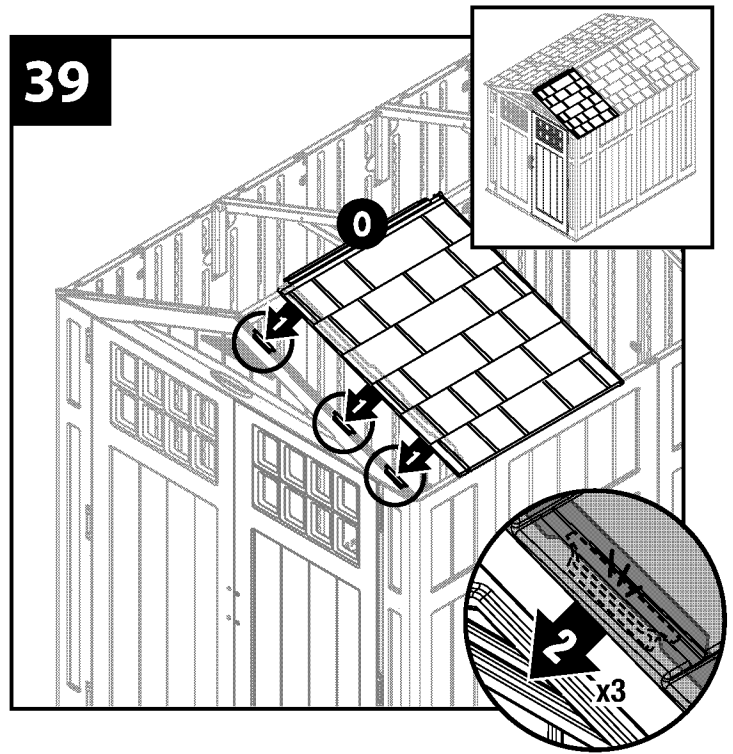
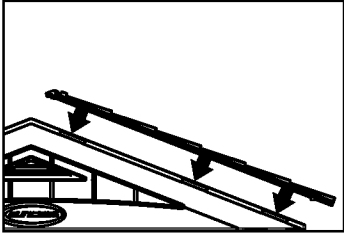
Note: Alignment of the ridge beam to the bracket may require the header panels to be pushed inwards or outwards slightly as the ridge beam is slid into place.



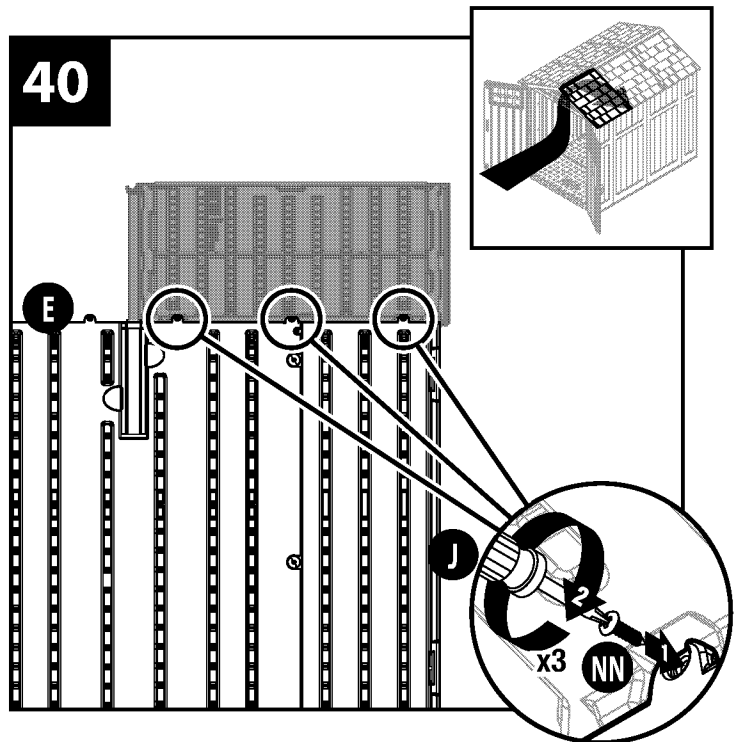
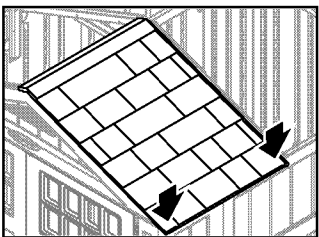
Locate and identify channels on interior side of one right roof (O). Locate three underside tabs contained within the channels.



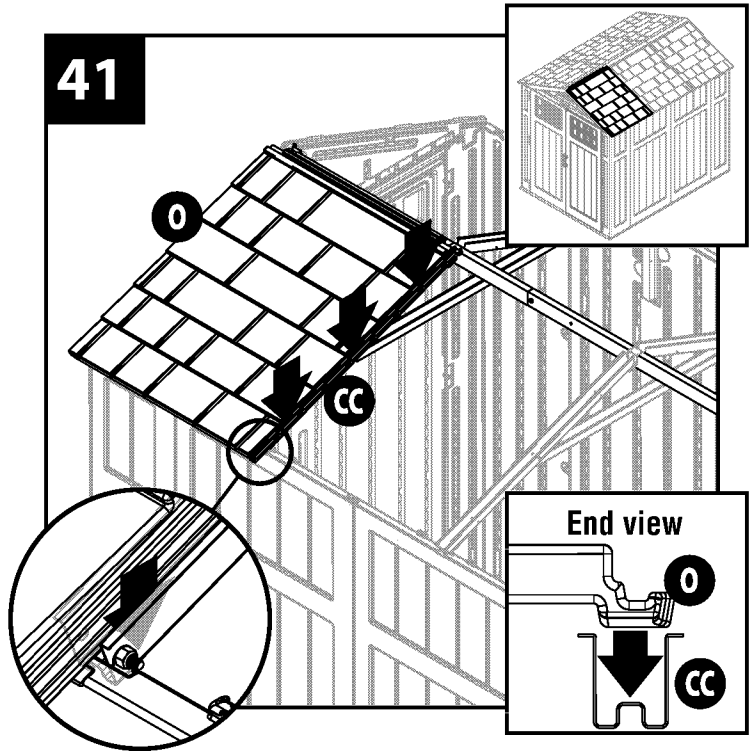
With at least two people, lay right roof (O) directly over the three tabs on the right side of the front header. With the right roof channel seated over/on the header tabs, pull the right roof downward at each header tab until the roof snaps in place.



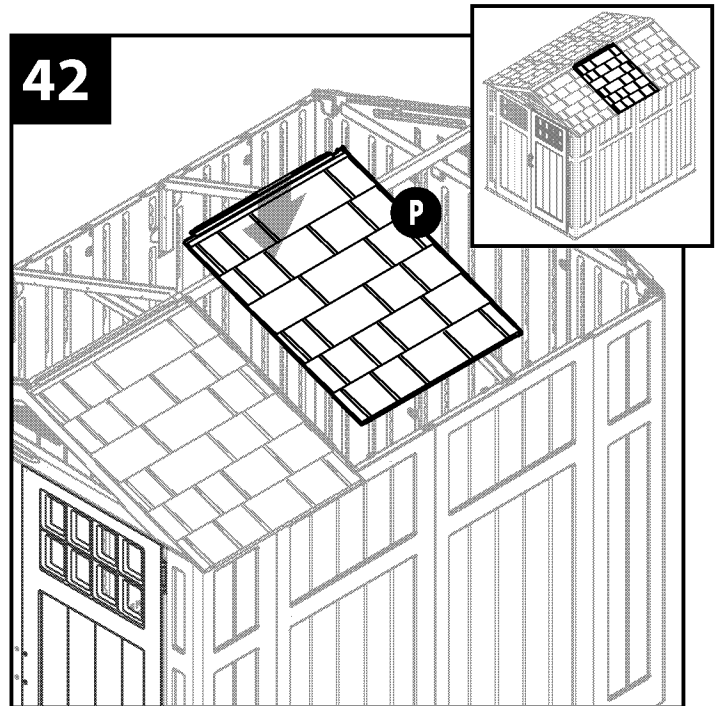
With a second person, pull down each lower corner of roof from outside. From inside shed, attach tabs on side panel (E) and front right corner (J) to the roof panel with a screw (NN).



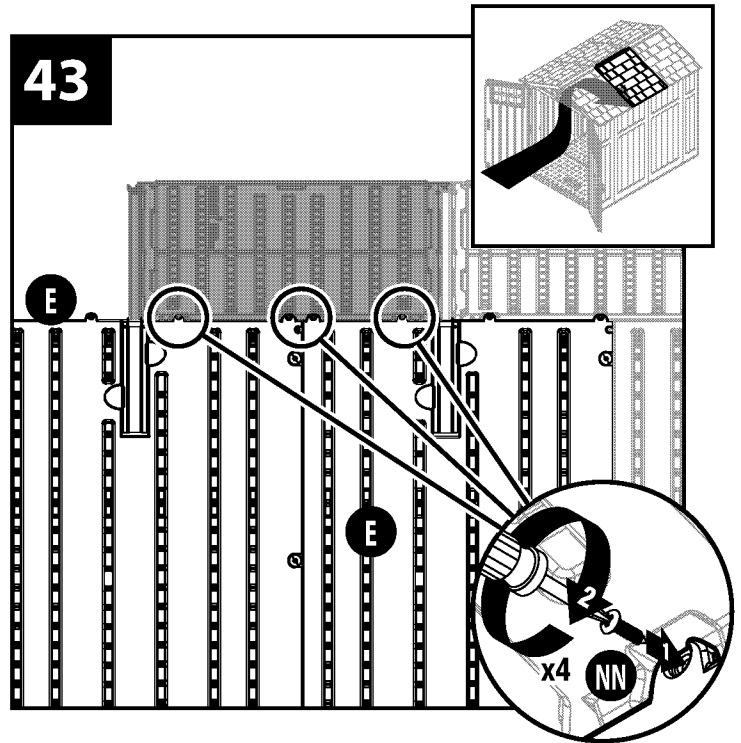
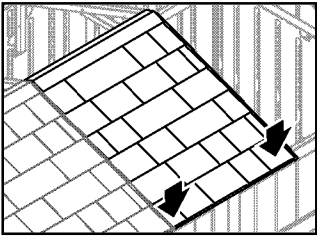
Press edge of right roof (O) into channel on truss leg (CC).



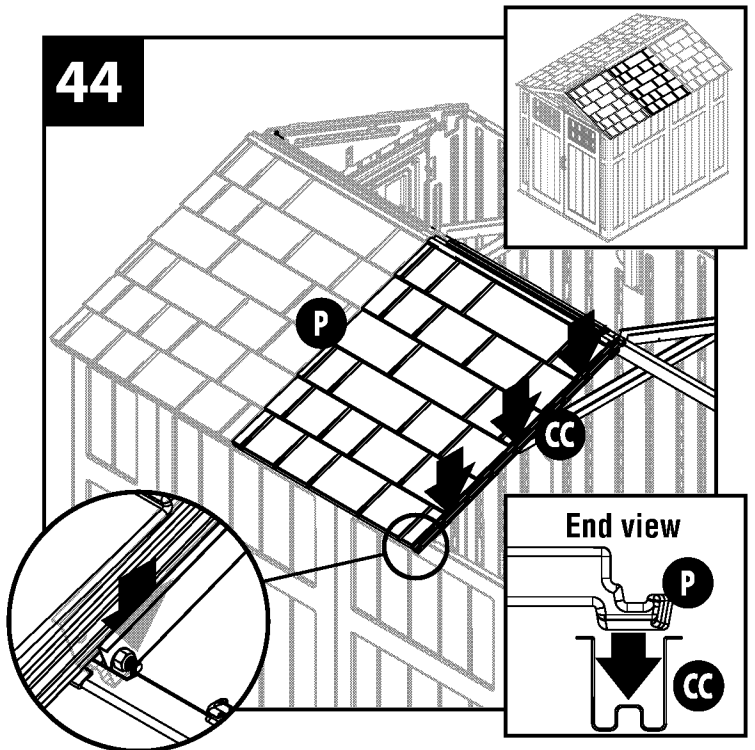
With at least two people, lower the right mid roof (P) onto the roof trusses.



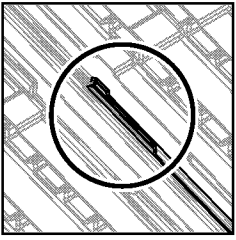
With a second person, pull down each lower corner of roof from outside. From inside shed, attach tabs on side panels (E) to the roof panel with a screw (NN).



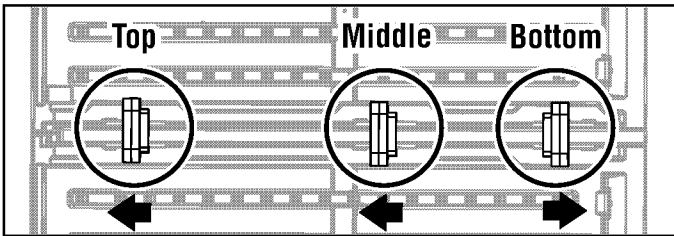
Press edge of right mid roof (P) into channel on truss leg (CC).



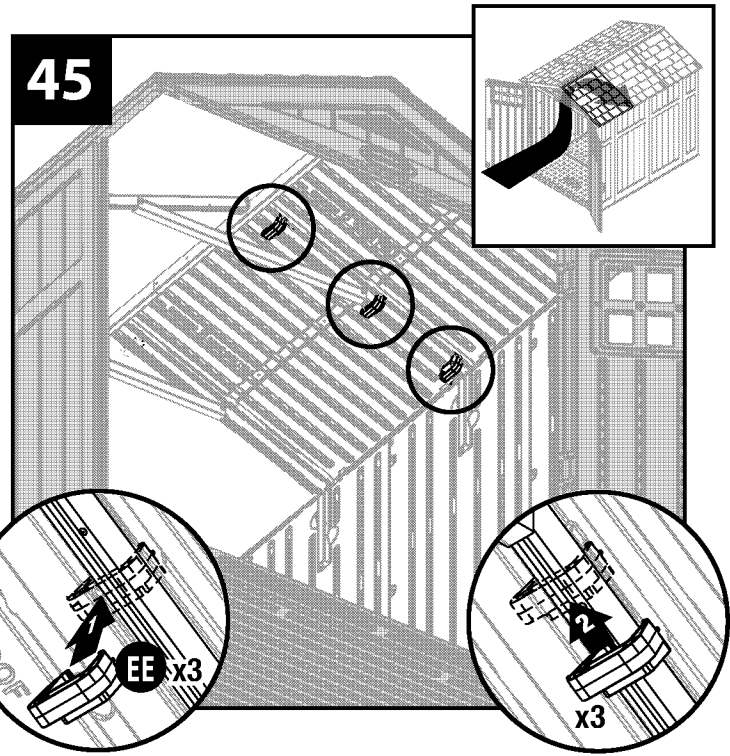
Secure right roof panels to truss with three roof connectors (EE) in corresponding slots in roof panels.



To lock in place, the top and middle connectors slide up and the bottom connector slides down, per illustration shown below.

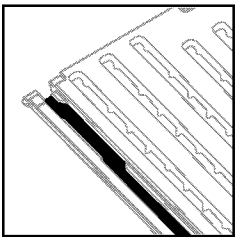


Note: Have a second person push roof panels together to more easily lock roof connectors on.

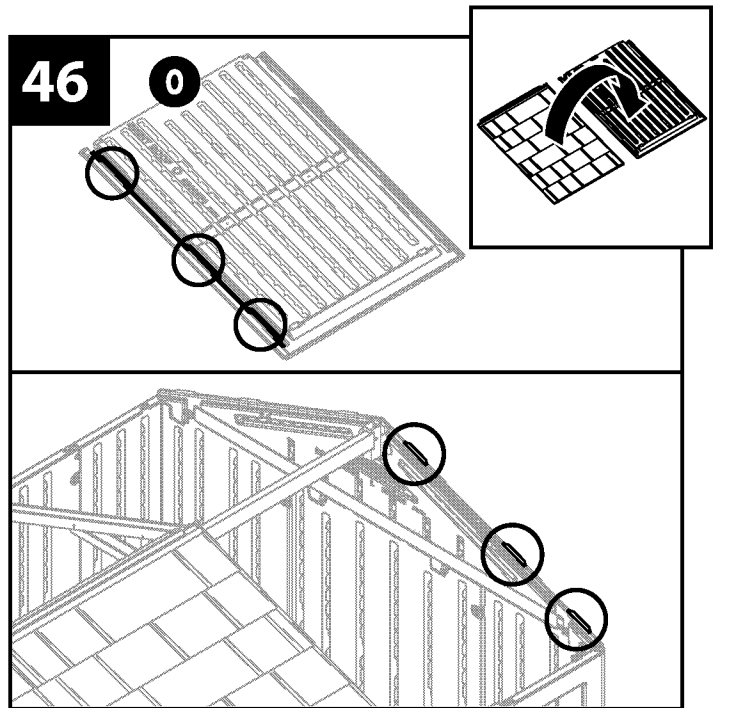
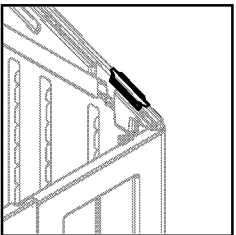


For clarity, illustration is shown with left front corner and left door removed.

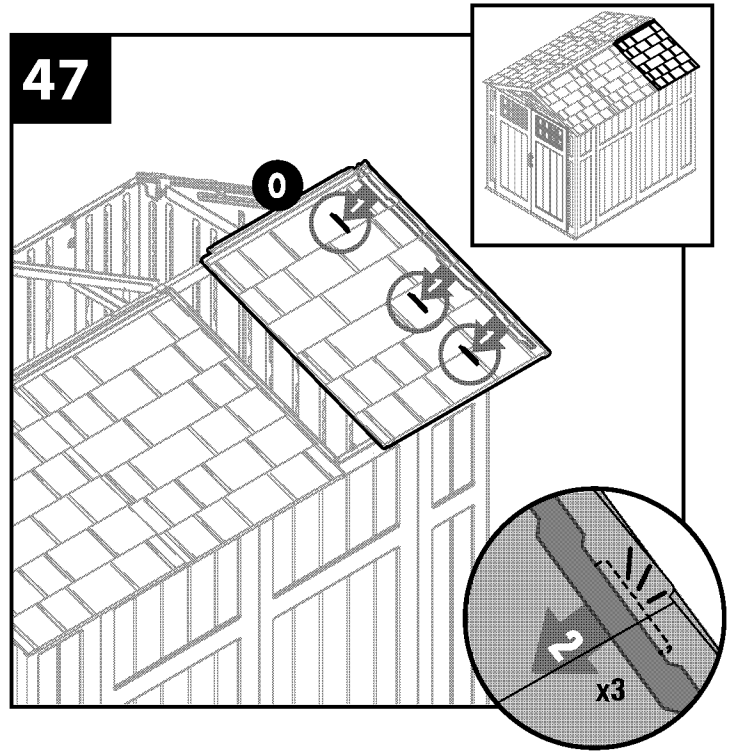
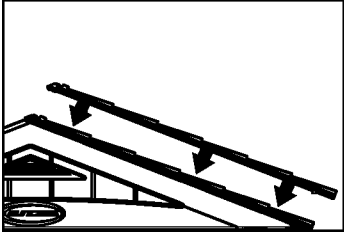
Locate and identify channels on interior side of remaining right roof (O). Locate three underside tabs contained within the channels.



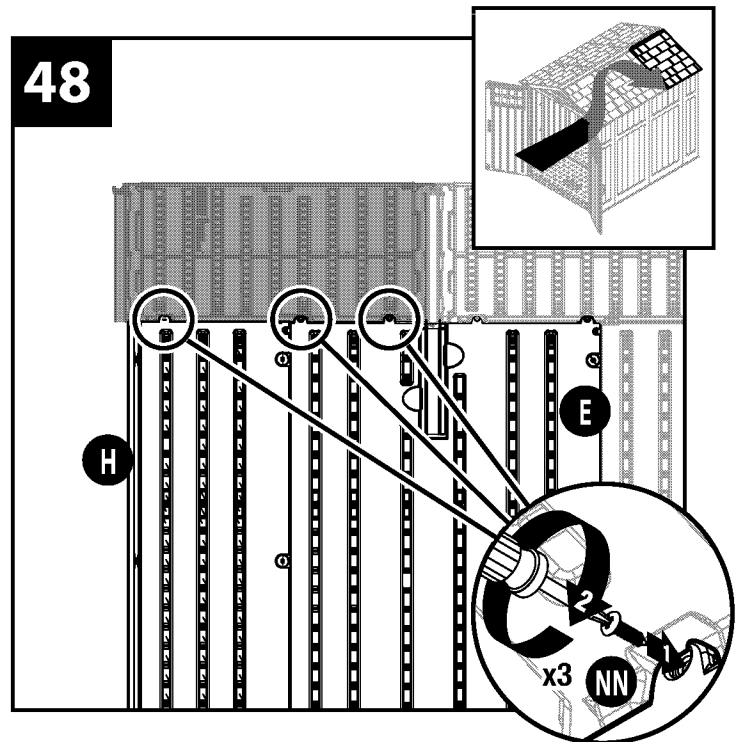
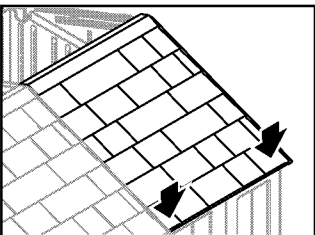
Locate and identify the three rear header tabs.



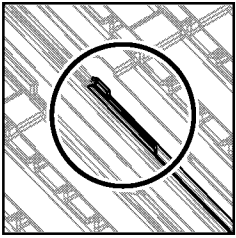
With at least two people, lay remaining right roof (O) directly over the three tabs on the right side of the rear header. With the right roof channel seated over/ on the header tabs, pull the roof downward at each header tab until the roof snaps in place.



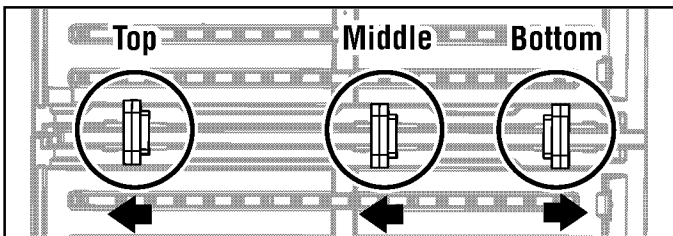
With a second person, pull down each lower corner of roof from outside. From inside shed, attach tabs on right back corner (H) and side panel (E) to the right roof with a screw (NN).



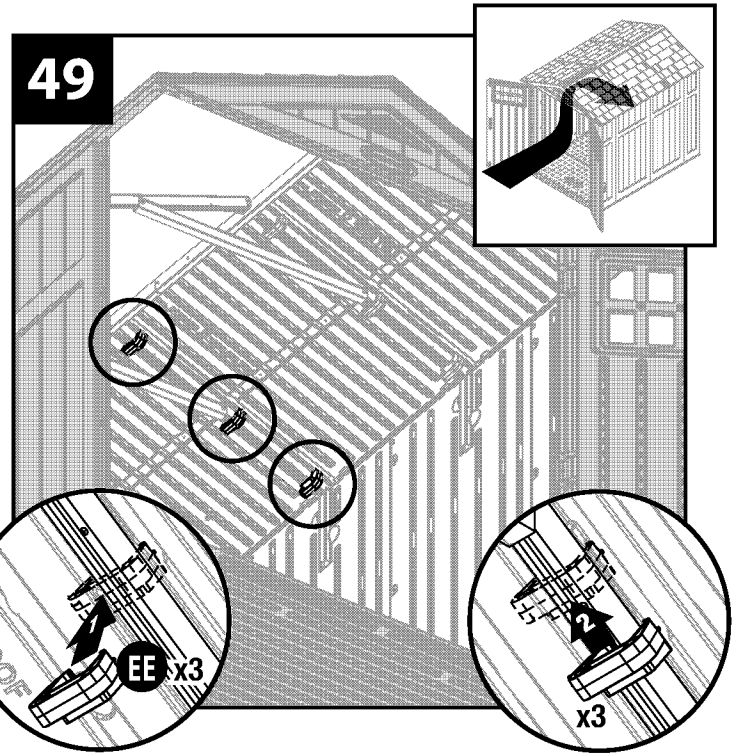
Secure right roof panels to truss with three roof connectors (EE) in corresponding slots in roof panels.



To lock in place, the top and middle connectors slide up and the bottom connector slides down, per illustration shown below.

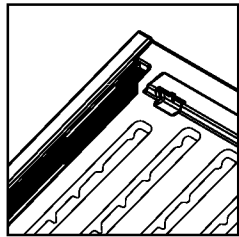


Note: Have a second person push roof panels together to more easily lock roof connectors on.

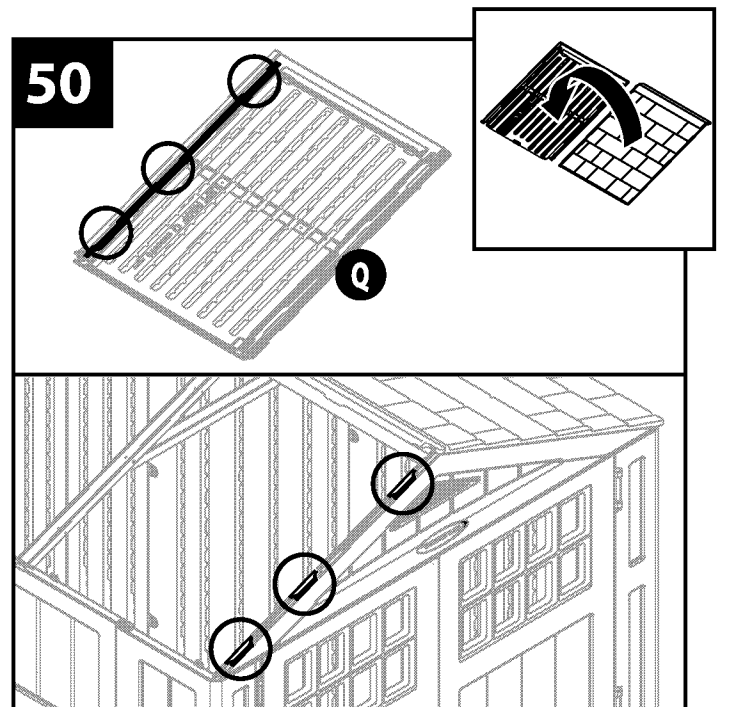
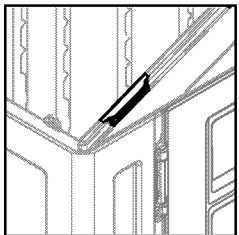


For clarity, illustration is shown with left front corner and left door removed.

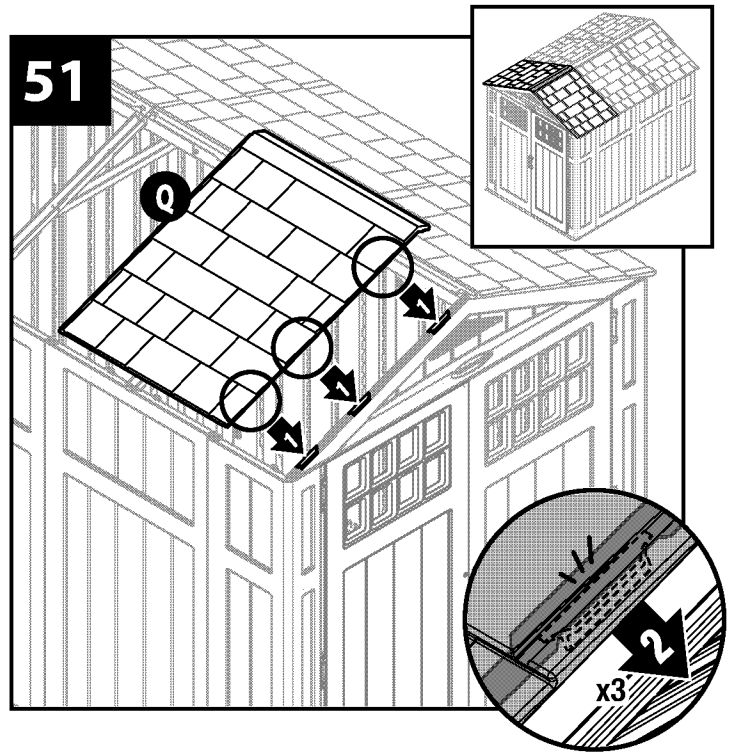
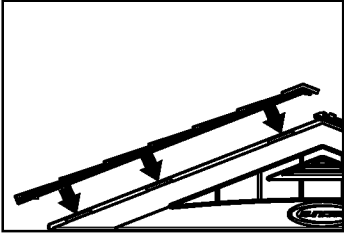
Locate and identify channels on interior side of one left roof (Q). Locate three underside tabs contained within the channels.



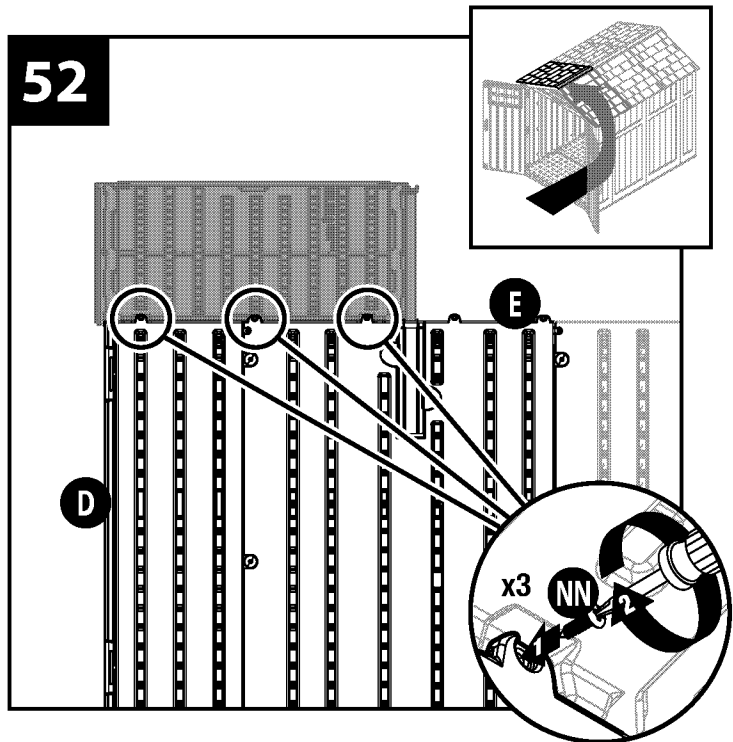
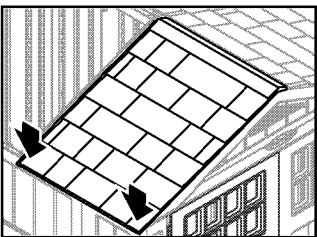
Locate and identify the three front header tabs.



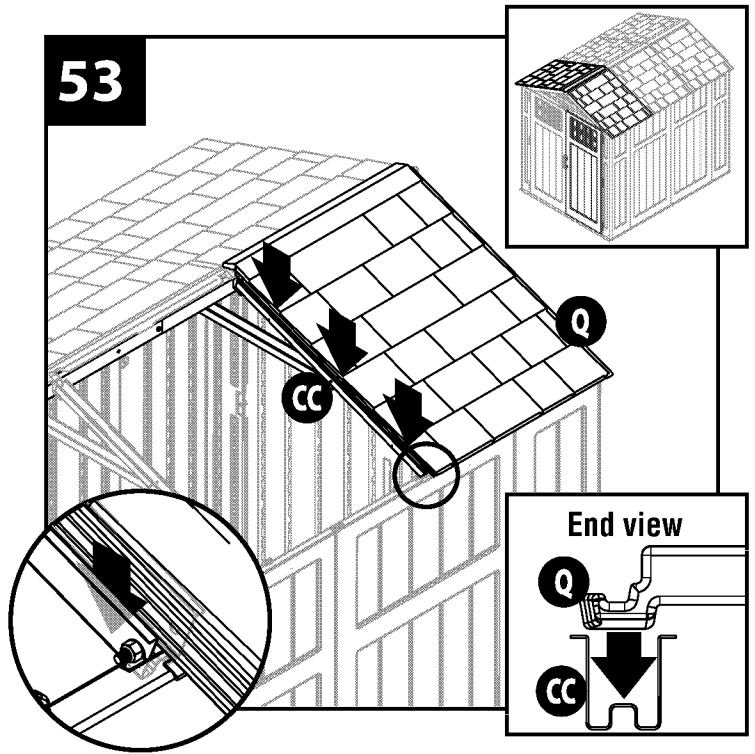
With at least two people, lay left roof (Q) directly over the three tabs on the right side of the front header. With the left roof channel seated over/on the header tabs, pull the roof downward at each header tab until the roof snaps in place.



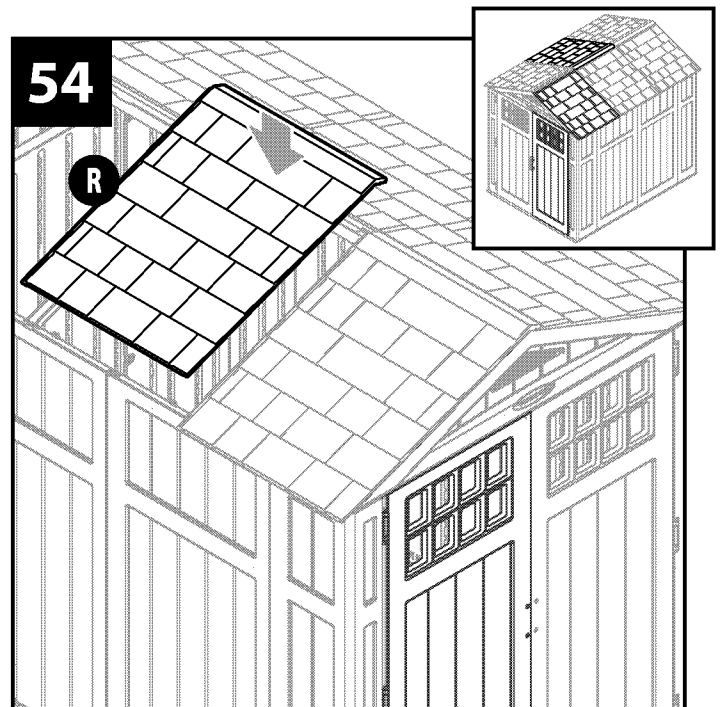
With a second person, pull down each lower corner of roof from outside. From inside shed, attach tabs on left front corner (D) and side panel (E) to the left roof with a screw (NN).



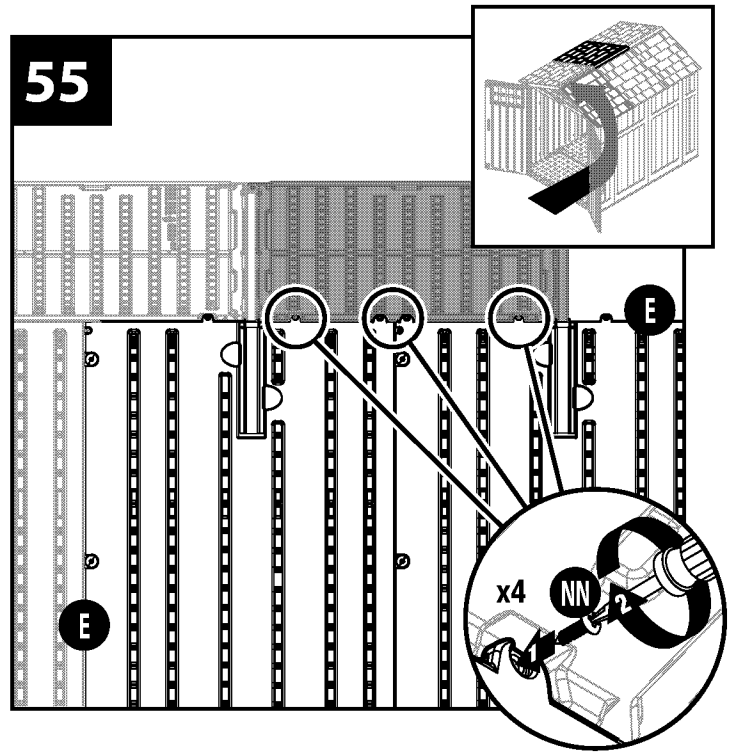
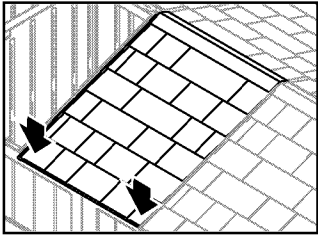
Press edge of left roof (Q) into channel on truss leg (CC).



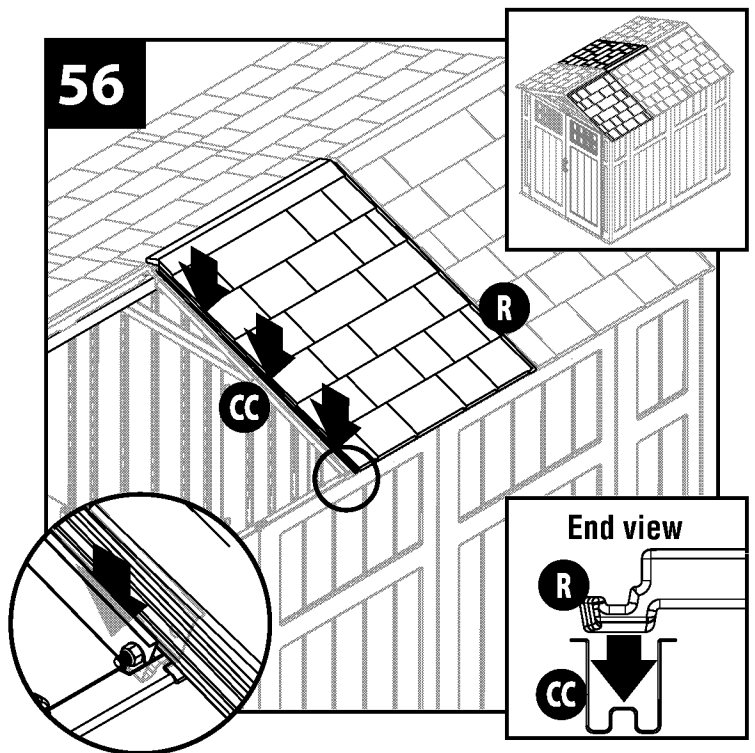
With at least two people, lower the left mid roof (R) onto the roof trusses.



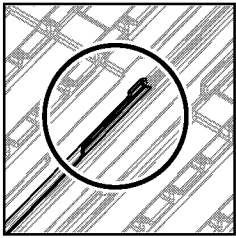
With a second person, pull down each lower corner of roof from outside. From inside shed, attach tabs on side panels (E) to the left mid roof with a screw (NN).



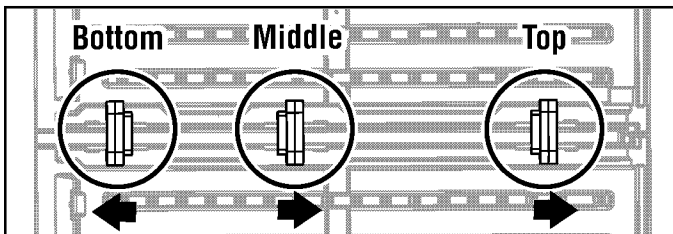
Press edge of left mid roof (R) into channel on truss leg (CC).



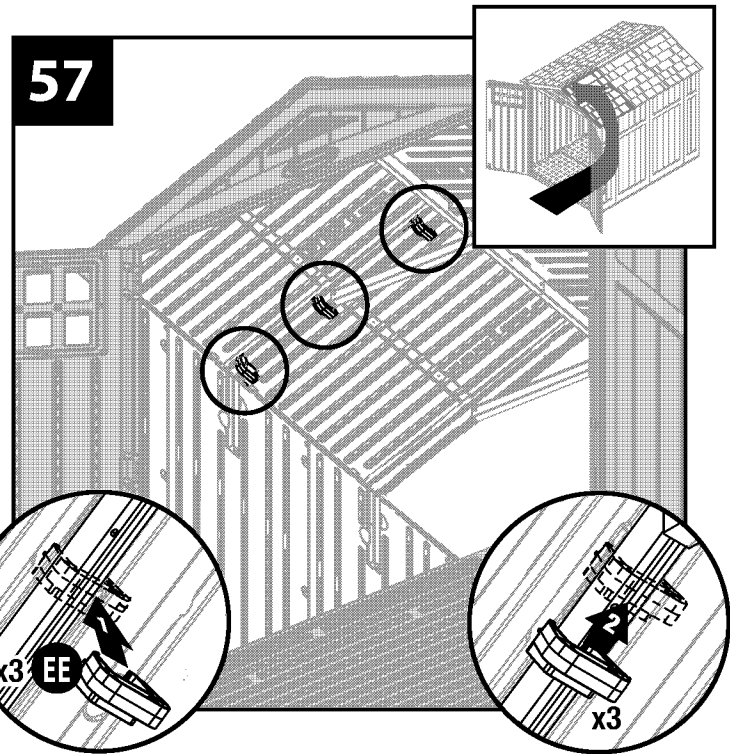
Secure left roof panels to truss with three roof connectors (EE) in corresponding slots in roof panels.



To lock in place, the top and middle connectors slide up and the bottom connector slides down, per illustration shown below.

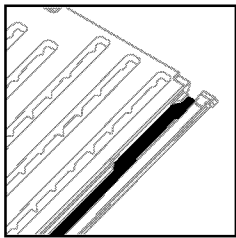


Note: Have a second person push roof panels together to more easily lock roof connectors on.

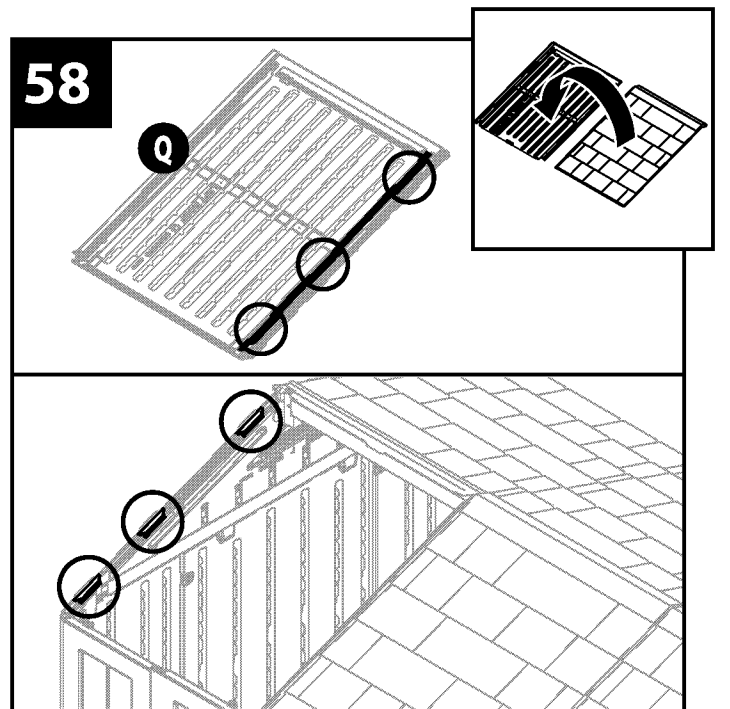
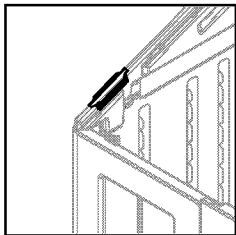


For clarity, illustration is shown with left front corner and left door removed.

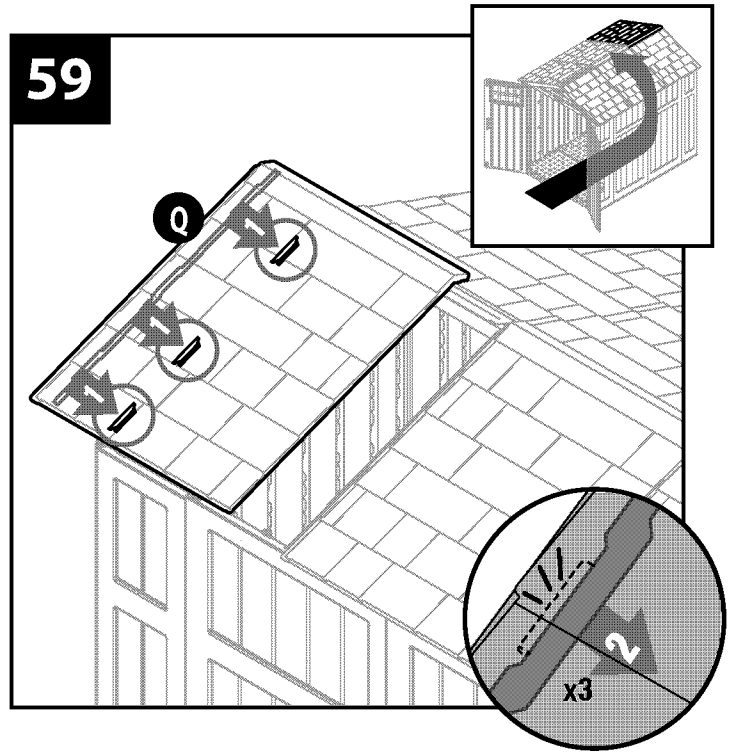
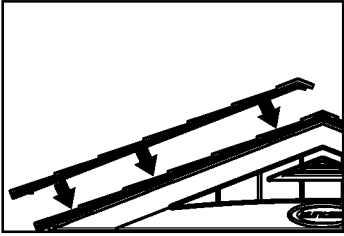
Locate and identify channels on interior side of left roof (Q). Locate three underside tabs contained within the channels.



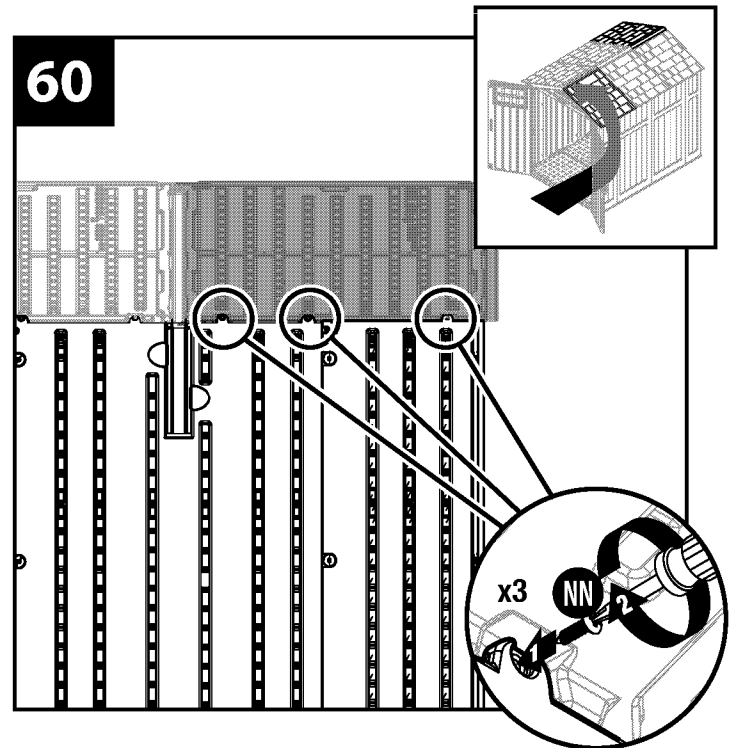
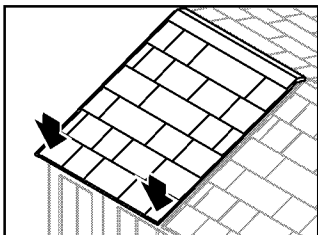
Locate and identify the three rear header tabs.



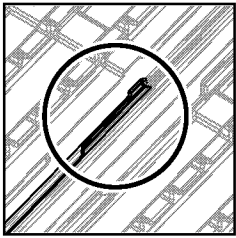
With at least two people, lay remaining left roof (Q) directly over the three tabs on the left side of the rear header. With the left roof channel seated over/on the header tabs, pull the roof downward at each header tab until the roof snaps in place.



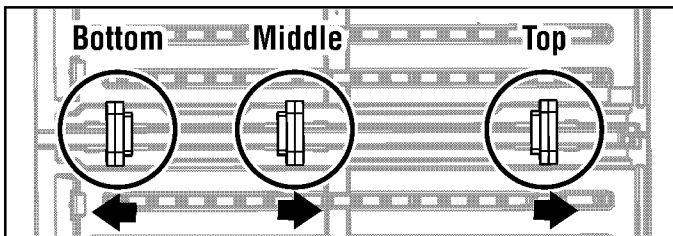
With a second person, pull down each corner of roof from outside. From inside shed, attach tabs on the left rear corner (F) and side panel (E) to the left roof with a screw (NN).



Secure left roof panels to truss with three roof connectors (EE) in corresponding slots in roof panels.

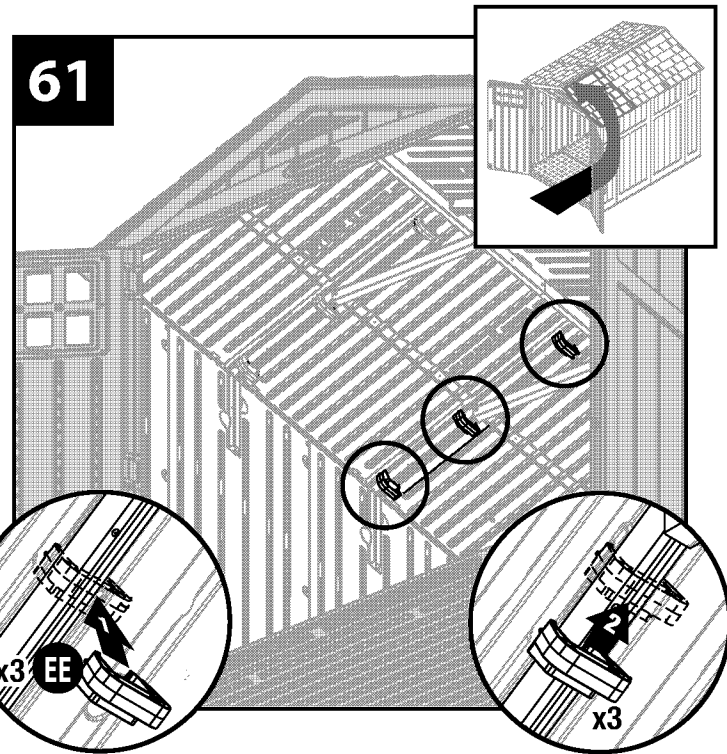


To lock in place, the top and middle connectors slide up and the bottom connector slides down, per illustration shown below.

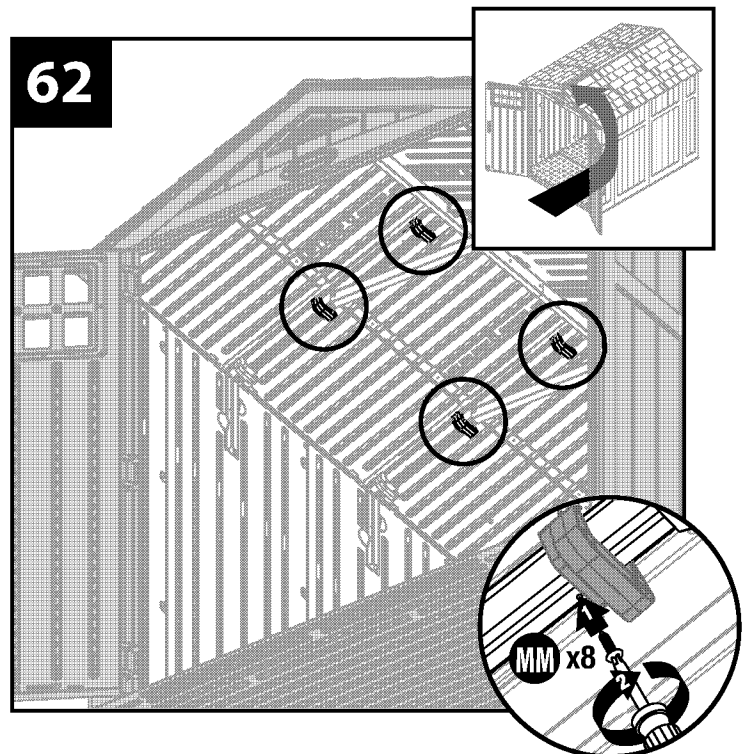


Note: Have a second person push roof panels together to more easily lock roof connectors on.

For middle and upper roof connectors, install one screw (MM) into truss behind roof connectors. Repeat for remaining four roof connectors.

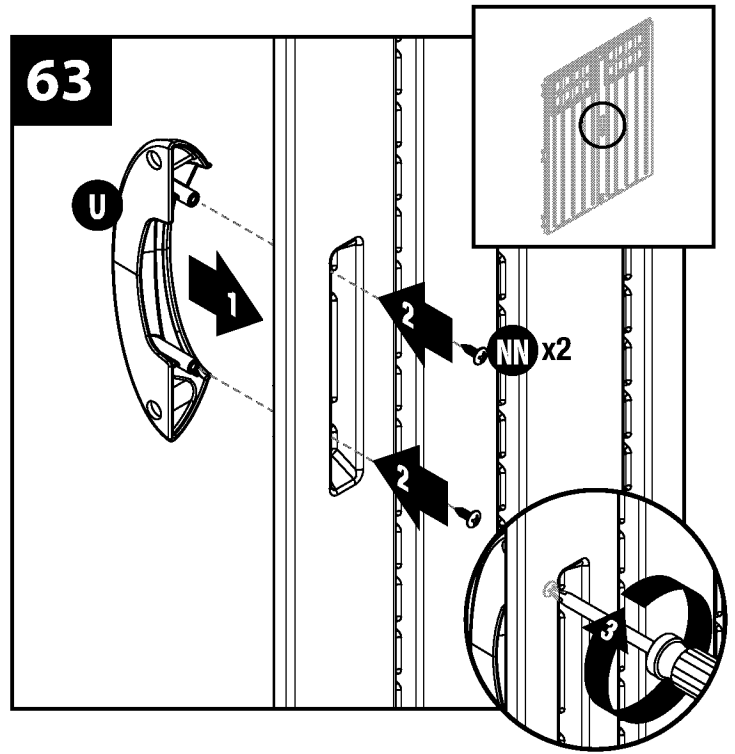


For clarity, illustration is shown with right front corner and right door removed.

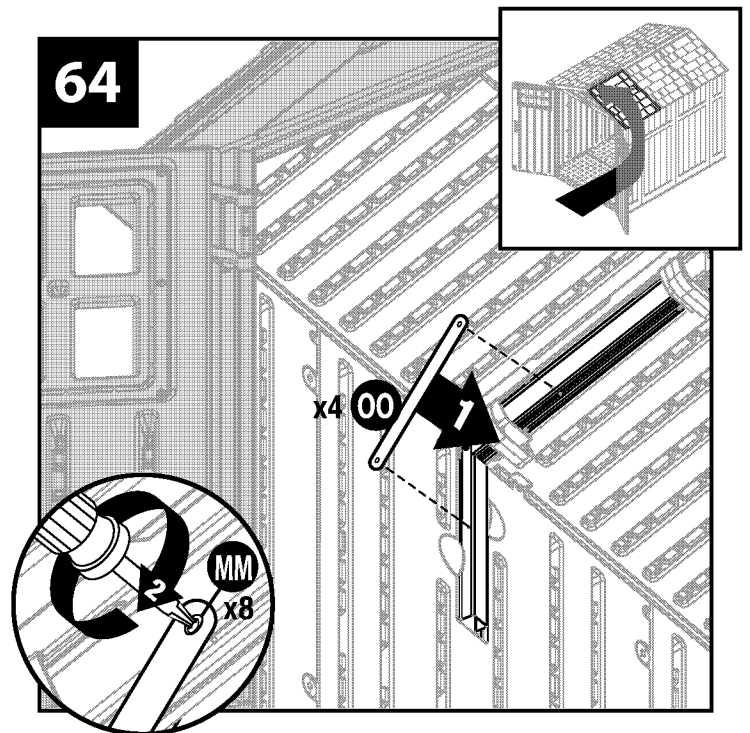


For clarity, illustration is shown with right front corner and right door removed.

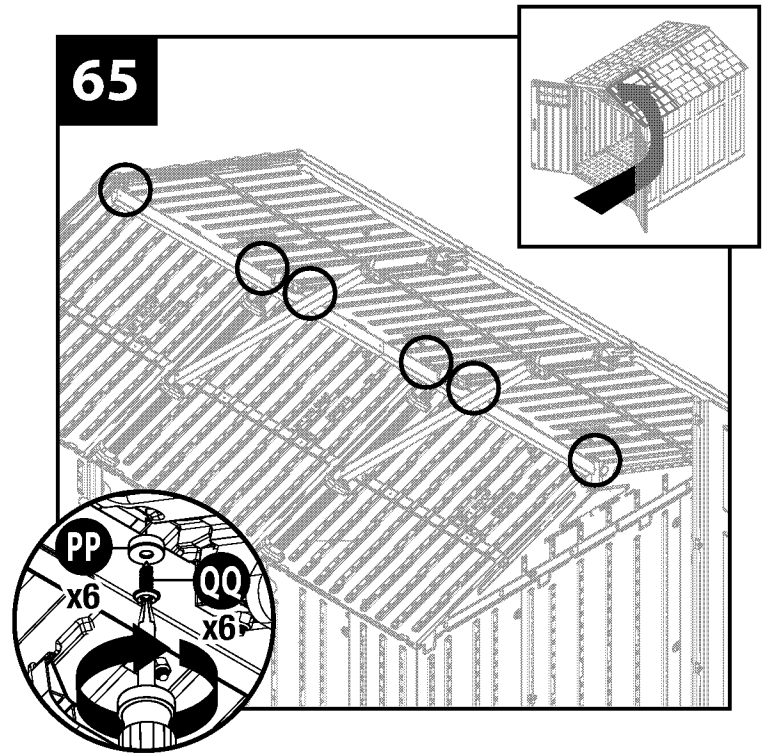
Attach door handle (U) to left door with two screws (NN). Repeat for right door.



Attach one truss strap (OO) at each end of truss legs. Secure each truss strap with two screws (MM). Repeat for second truss.



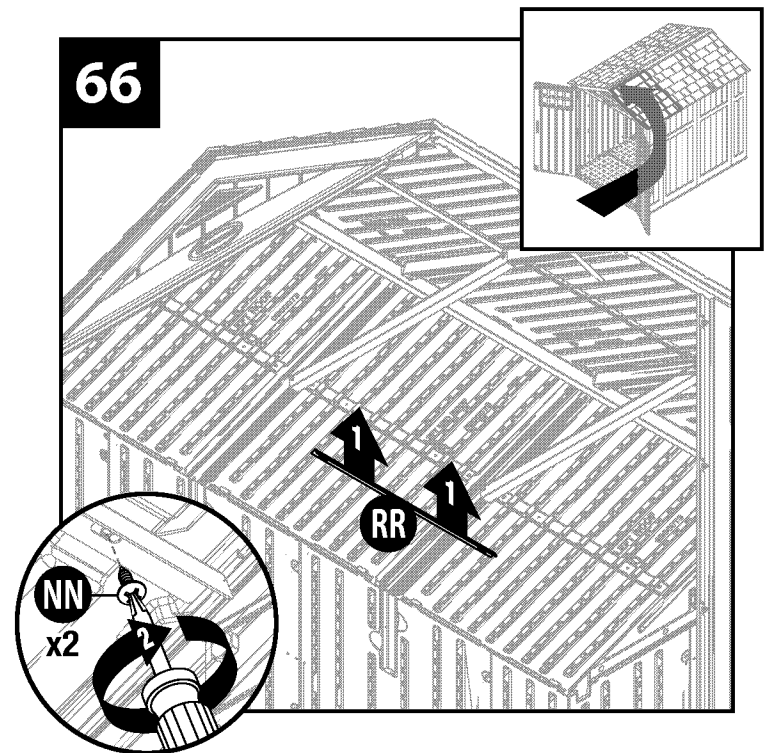
Secure roof panels together along the ridge of roof using six rubber washers (PP) and six sealing screws (QQ).



For clarity, illustration is shown with right side panels and front header removed.

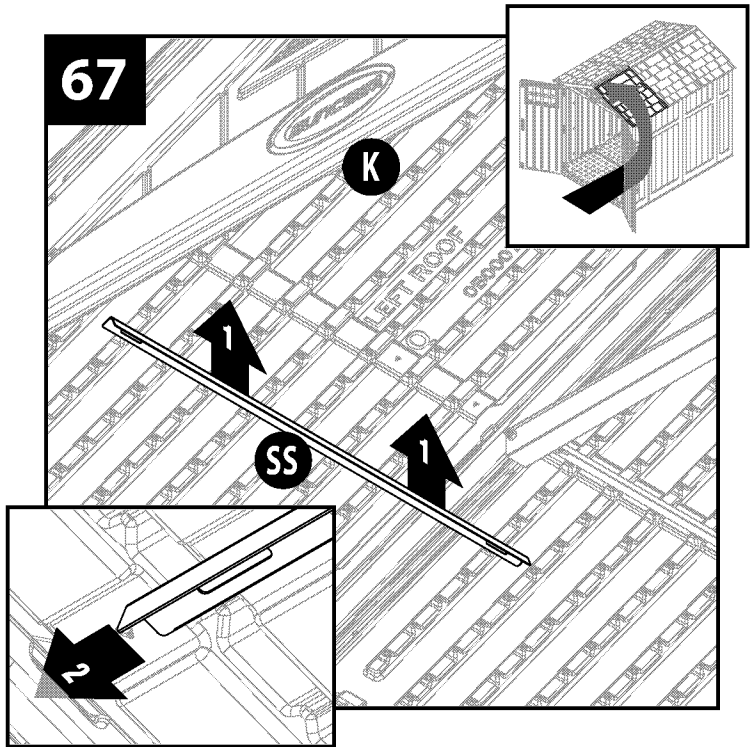
Raise mid roof support bracket (RR) into position against roof. Secure mid roof support bracket (RR) to underside of roof using two screws (NN).

Note: Mid roof support brackets (RR) are longer in length than the front and back roof support brackets (SS).

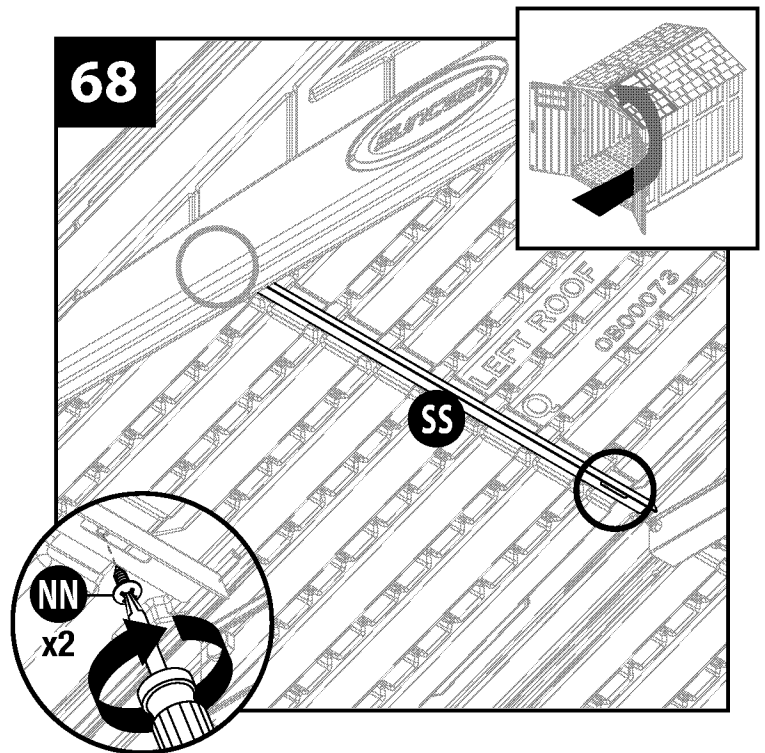


For clarity, illustration is shown with right side panels removed.

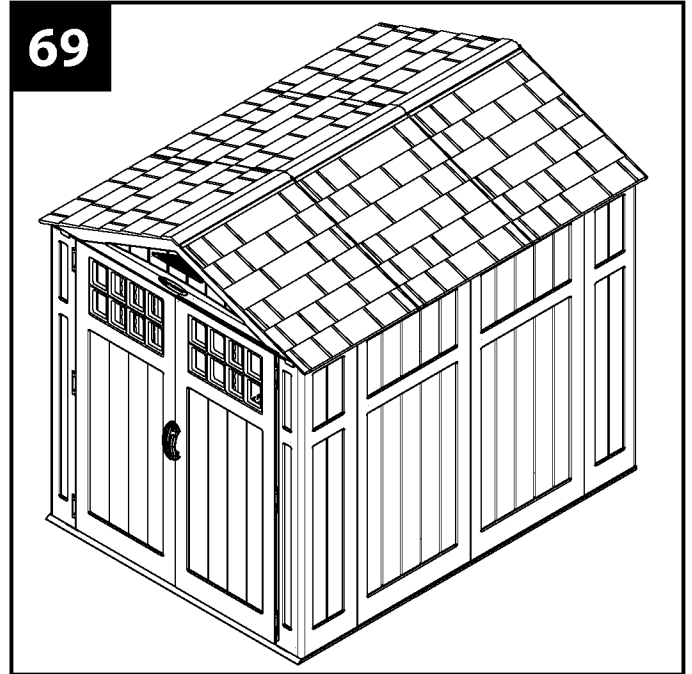
Raise front roof support bracket (SS) into position against roof. Slide front roof support bracket (SS) into front header (K).



Secure front roof support bracket (SS) to underside of roof using two screws (NN). Repeat steps 66-68 for remaining roof support brackets.



Complete.



Warranty

SUNCAST® Building, Shed and Gazebo Ten Year Limited Warranty

Your SUNCAST® Building, Shed or Gazebo has a **TEN YEAR LIMITED WARRANTY** against product failure resulting from defects in manufacturing or materials. The warranty period starts on the delivery date. Incidental and consequential damages are not covered.

Warranty Claims

To file a warranty claim contact the manufacturer, SUNCAST® CORPORATION, 701 North Kirk Road, Batavia, Illinois, 60510. Call toll free (800) 846-2345 or visit www.Suncast.com.

SUNCAST® will repair or replace only the parts that failed under the terms of the warranty. In some cases, the replacement parts may not be identical, but they shall be of equal or greater performance than the original part.

We may require proof of purchase. Proof of purchase may be the original dated store receipt. We may require evidence of the failure. Evidence of failure may include photographs or returning failed components to SUNCAST.

Warranty Limitations

THIS WARRANTY COVERS ONLY DEFECTS THAT AFFECT THE FORM, FIT OR FUNCTION OF THE UNIT. It excludes natural aging of the unit, discoloration, ordinary wear and tear, ordinary weathering, sunlight fading, or rust. It excludes staining caused by mold, mildew or tree sap and damage caused by animals including insects, vermin or household pets. The warranty does not cover damage caused by Acts of Nature including but not limited to: wind in excess of 65 mph; tornado; hurricane; microburst; hail; flood; blizzard; extreme heat; pollution or fire events.

The following actions void the warranty: improper assembly; assembly on a foundation other than as described in the assembly instructions; use above intended and reasonable capacity; misuse; abuse; failure to perform ordinary maintenance; failure to remove snow over 8 inches deep; modification; cleaning with abrasive tools, exposing the unit to heat sources and vandalism. Painting, sandblasting, cleaning with harsh chemicals not recommended for plastics voids the warranty on resin components. Modification of the original product voids all warranties. Suncast assumes no liability for any modified product or consequences resulting from failure of a modified product. Damage due to moving, transporting, or relocating the product voids the warranty. Disassembly of this unit for reasons other than authorized repair voids the warranty.

Suncast is not responsible for: loss of use of the unit; labor for repair; inspection fees or disposal costs.

SUNCAST® reserves the right to reimburse the owner the purchase price of the unit on a **STRAIGHT LINE DEPRECIATED BASIS FOR THE LENGTH OF THE WARRANTY IN LIEU OF REPAIR OR REPLACEMENT.** The Purchase Price does not include taxes, delivery charges, site preparation costs, permits, fees, assembly costs, or disposal costs.

THIS WARRANTY IS NONTRANSFERABLE. IT IS VALID FOR NORMAL HOUSEHOLD USE ONLY. THE WARRANTY IS VOIDED BY COMMERCIAL OR INDUSTRIAL USE. IT EXCLUDES FLOOR MODELS, CLEARANCE AND OPEN BOX UNITS.

Notice

Suncast does not represent that this unit will meet city, county, state, homeowner's association standards or zoning requirements. The owner is responsible for securing all permits and meeting other requirements needed for placement, construction and use.

THE MANUFACTURER'S LIABILITY HEREUNDER IS LIMITED SOLELY TO THE REPAIR OR REPLACEMENT OF THE DEFECTIVE PRODUCT OR PART AND THE MANUFACTURER SHALL IN NO EVENT BE LIABLE FOR ANY INCIDENTAL OR CONSEQUENTIAL DAMAGES WHICH MAY RESULT FROM ANY DEFECT IN MATERIAL OR WORKMANSHIP OR FROM THE BREACH OF ANY EXPRESS OR IMPLIED WARRANTY.

This warranty gives you specific legal rights, and you may also have other rights which vary from state to state. Some states do not allow the exclusion or limitation of incidental or consequential damages; the limitation or exclusion may not apply to you.

