



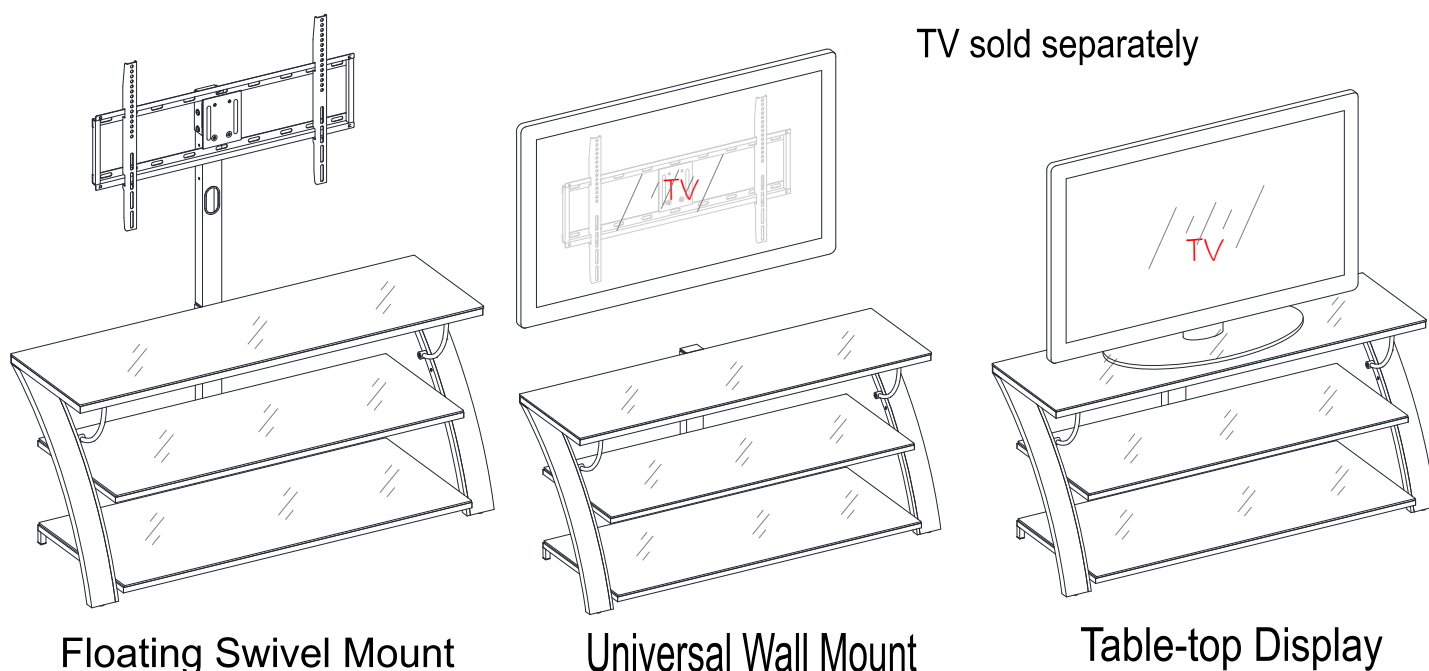
LOT NUMBER: \_\_\_\_\_  
DATE PURCHASED: \_\_/\_\_/\_\_

# 3-in-1<sup>TM</sup> Flat Panel Console

## Stock # XL-33E

U.S. Patent 8,561,551

This item is designed to be a 3-in-1 configuration. Please choose the option that best suits your needs. DO NOT discard any of the hardware or parts that you will not use on your chosen option. This will allow you to use this TV Console in different configurations at a later date, if desired.



Floating Swivel Mount

Universal Wall Mount

Table-top Display

### ADULT ASSEMBLY REQUIRED

If you have any questions regarding assembly or if parts are missing, DO NOT return this item to the store where it was purchased. Please call our customer service number and have your instructions and parts list ready to provide the model name, part name or factory number:

**1-866-942-5362**

Pacific Standard Time: 8:30 a.m. - 4:30 p.m., Monday - Friday

Or visit our web site 24 hours a day, 7 days a week for product assistance at

**[www.whalenstyle.com](http://www.whalenstyle.com)**

Or e-mail your request to **[parts@whalenfurniture.com](mailto:parts@whalenfurniture.com)**

**THIS INSTRUCTION BOOKLET CONTAINS IMPORTANT SAFETY INFORMATION.  
PLEASE READ AND KEEP FOR FUTURE REFERENCE.**

Whalen Furniture Manufacturing

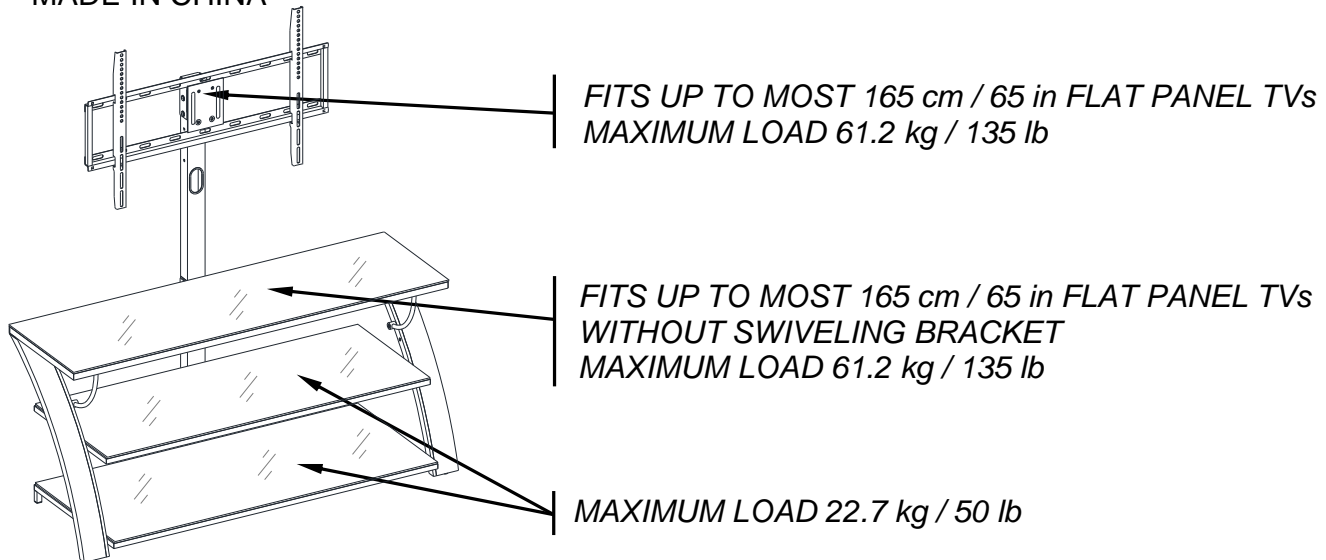
Page 1

Factory No. 17053

Date 2015-05-22 Rev. 1 Factory: TANBOD

## MAXIMUM RECOMMENDED WEIGHT LOADS

MANUFACTURER: Whalen Furniture Manufacturing  
 CATALOG: 3-in-1™ Flat Panel Console (XL-33E)  
 DATE OF MANUFACTURE: May 2015  
 MADE IN CHINA



### **WARNING**

THIS UNIT IS NOT INTENDED FOR USE WITH CRT TVS. USE ONLY WITH FLAT PANEL TVS AND AUDIO/VIDEO EQUIPMENT MEETING RECOMMENDED SIZE AND WEIGHT LIMITS. NEVER USE WITH LARGER/HEAVIER THAN RECOMMENDED FLAT PANEL TVS OR EQUIPMENT. TO AVOID INSTABILITY, PLACE FLAT PANEL TV IN THE CENTRE OF THE UNIT; THE BASE OF THE TELEVISION MUST BE ABLE TO REST ON THE SUPPORTING SURFACE OF THE UNIT WITHOUT OVER-HANGING THE EDGES. IMPROPERLY POSITIONED FLAT PANEL TVS, OR FLAT PANEL TVS OR OTHER EQUIPMENT THAT EXCEED RECOMMENDED SIZE AND WEIGHT LIMITS COULD FALL OFF OR BREAK THE UNIT, CAUSING POSSIBLE SERIOUS INJURY.

## GENERAL INFORMATION, TIPS and TRICKS

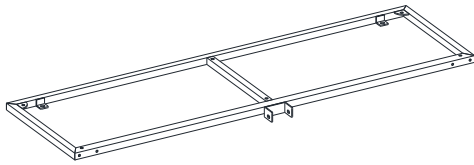
1. Please read the Assembly Instructions prior to assembling this product.
2. Remove all hardware from the box and sort by size.
3. Check to see that all hardware and parts are present BEFORE assembling.
4. Ask a friend to assist you with the assembly of this furniture.
5. To avoid damage, assemble the product on a sturdy, level and protective surface.
6. Please wait until all steps are completed before fully tightening bolts.
7. Make sure all bolts are tightly fastened before the unit is used.

This product is sold with two sets of Tipping Restraint Hardware Kit. You must install the Tipping Restraint Hardware between the wall and the TV console to prevent any accidents or damages. When properly installed, this restraint can provide protection against the unexpected tipping of the unit due to small tremors, bumps or climbing. The restraint is only a deterrent and is not a substitute for proper adult supervision. Use of tip-over restraints may only reduce, but not eliminate, the risk of tip-over.

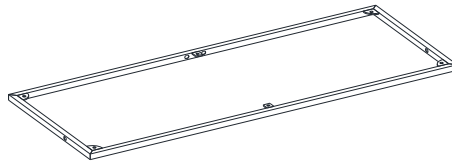
Please call for replacement parts or assistance: **1-866-942-5362**

### Parts and Hardware List

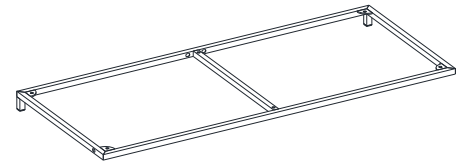
Please read completely through the instructions and verify that all listed parts and hardware are present before beginning assembly.



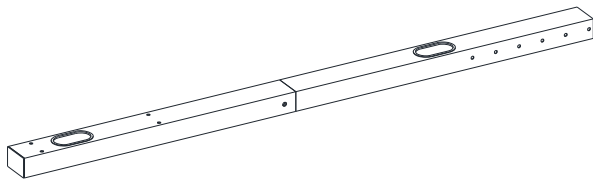
A- Top Shelf Frame (1)



B- Middle Shelf Frame (1)



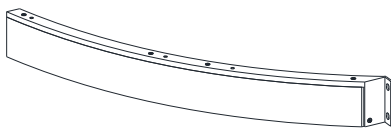
C- Bottom Shelf Frame (1)



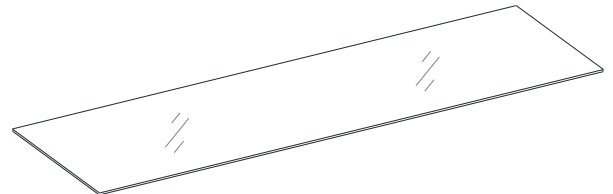
D- Spine Assembly (1)



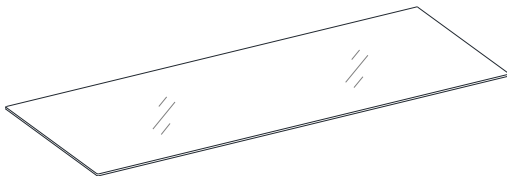
E- Left Leg (1)



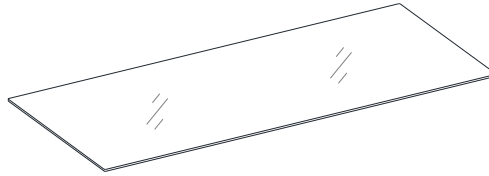
F- Right Leg (1)



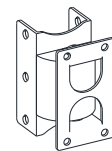
G- Top Glass (1)



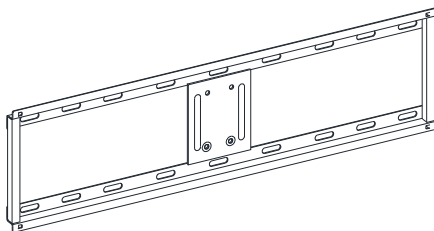
H- Middle Glass Shelf (1)



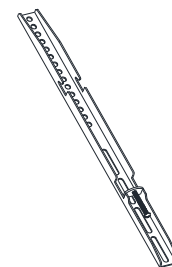
I- Bottom Glass Shelf (1)



J- Swiveling Bracket (1)



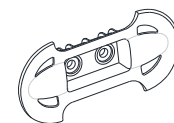
K- Mounting Frame (1)



L- Monitor Bracket (2)




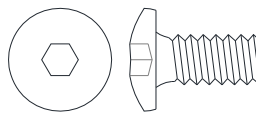
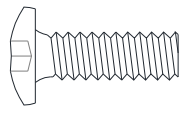
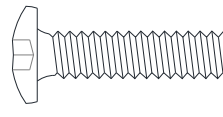

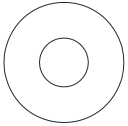
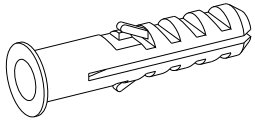
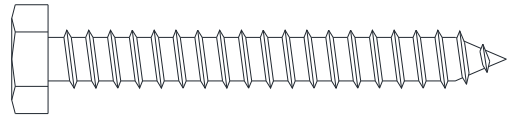
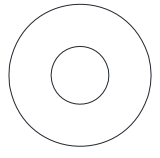
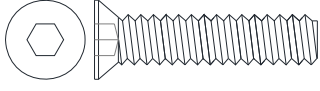
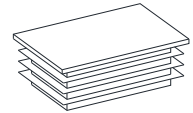

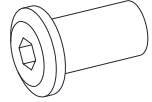

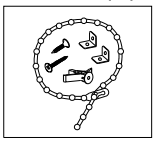

M- Top Shelf Support (2)



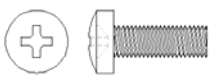
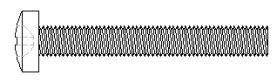
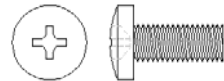
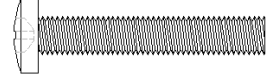
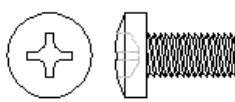

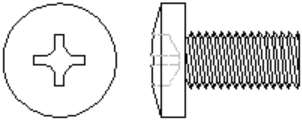
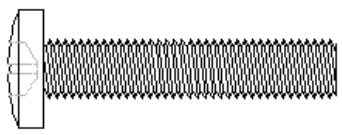

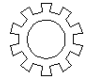
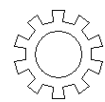
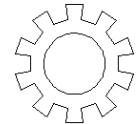
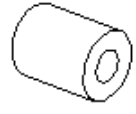

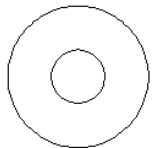
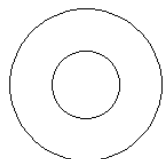
N- Cable Wheel (2)

Please call for replacement parts or assistance: [1-866-942-5362](tel:1-866-942-5362)  
Whalen Furniture Manufacturing

**Parts and Hardware List**

- |   |  |   |   |
|---|--|---|---|
| <br>(1) Suction Cup<br>(18+1 extra)    | <br>(2) 1/2" Bolt<br>(6+1 extra)              | <br>(3) 3/4" Bolt<br>(16+1 extra)                                      | <br>(4) 1" Bolt<br>(8+1 extra) |
| <br>(5) Lock Washer<br>(18+1 extra)    | <br>(6) Flat Washer<br>(18+1 extra)           | <br>(7) Concrete Anchor<br>(4)  | <br>(8) 2-1/2" Lag Bolt<br>(4) |
| <br>(9) Lag Bolt Washer<br>(4+1 extra) | <br>(10) 1-1/8" Flat Head Bolt<br>(2+1 extra) | <br>(11) Spine End Cap<br>(1)   | <br>(12) 2-1/2" Bolt<br>(1)    |
| <br>(13) Flange Nut<br>(1)            | <br>4 mm Allen Wrench<br>(2)                 | <br>Tipping Restraint Hardware Kit (1)<br><i>(Inside Plastic Bag)</i> | <br>Touch-up Pen<br>(1)       |

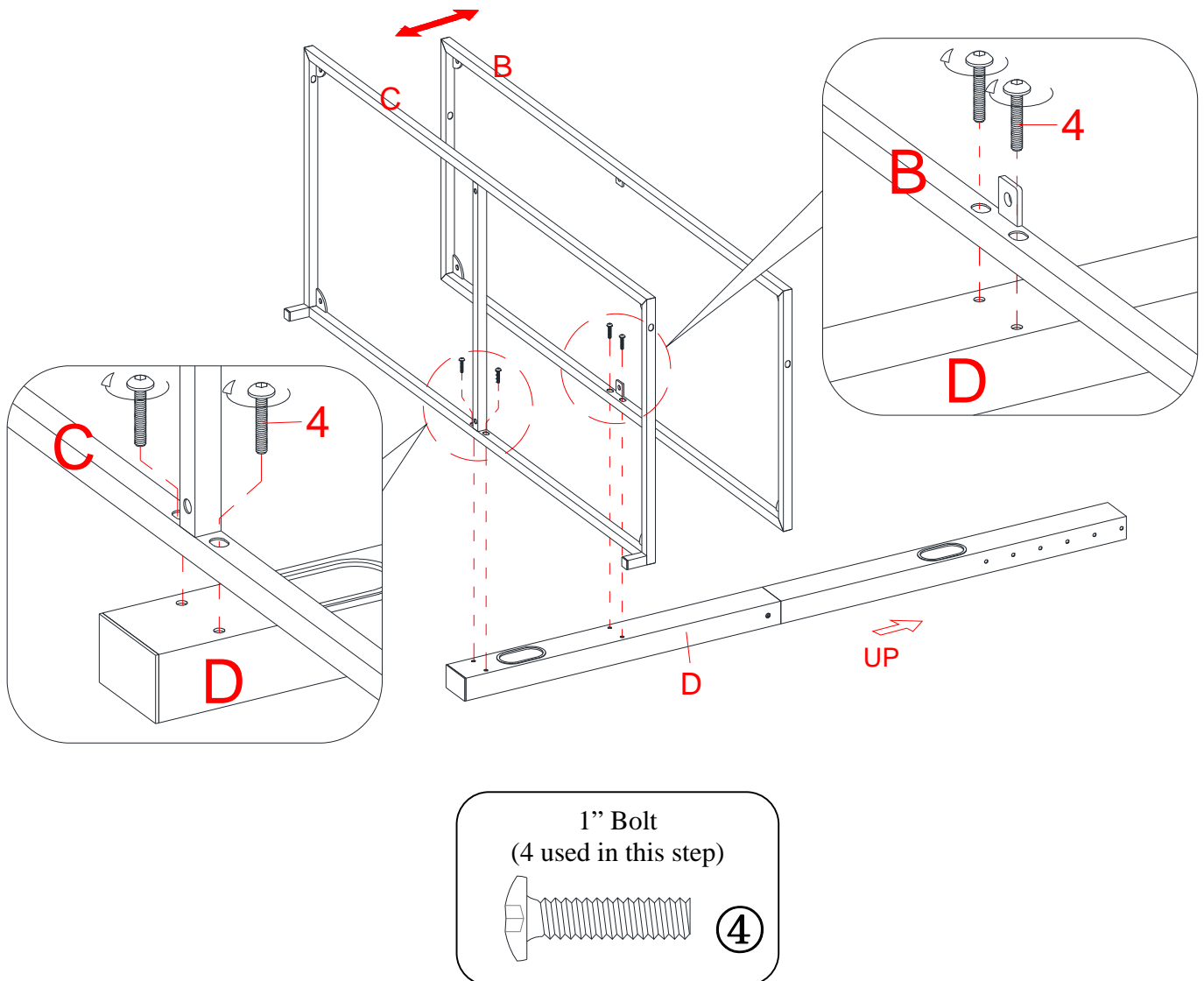
**TV Mounting Kit**

- |   |   |  |  |
|---|---|--|--|
| <br>M4 x 12 Bolt (4)   | <br>M4 x 30 Bolt (4)   | <br>M5 x 12 Bolt (4)     | <br>M5 x 30 Bolt (4)      |
| <br>M6 x 12 Bolt (4)   | <br>M6 x 35 Bolt (4)   | <br>M8 x 16 Bolt (4)     | <br>M8 x 40 Bolt (4)      |
| <br>M4 Lock Washer (4) | <br>M5 Lock Washer (4) | <br>M6 Lock Washer (4)    | <br>M8 Lock Washer (4)    |
| <br>Large Spacer (4)   | <br>Small Spacer (4)   | <br>M4/M5 Flat Washer (8) | <br>M6/M8 Flat Washer (4) |

Tools required: Allen wrench (provided) and Phillips screwdriver (not provided).

Please call for replacement parts or assistance: 1-866-942-5362

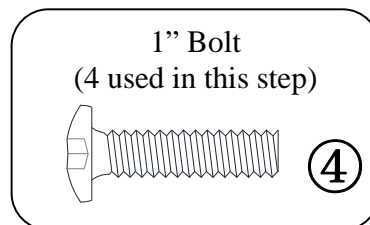
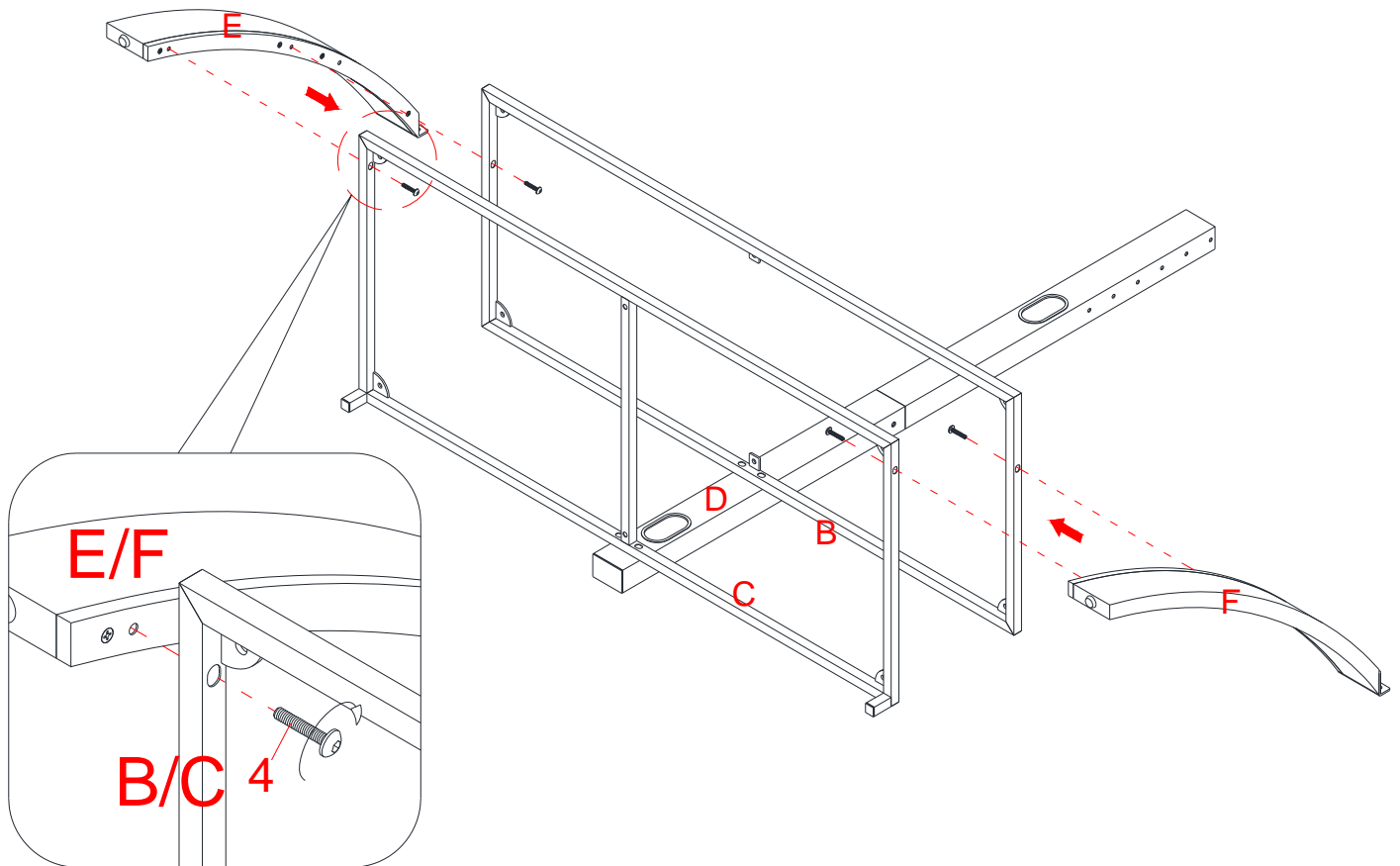
## Assembly Instructions



**NOTE:** Please do not fully tighten all bolts until you finish assembling all parts. Once assembled, go back and fully tighten all bolts. This will make the assembly easier.

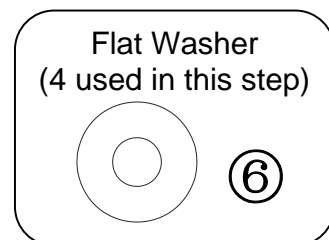
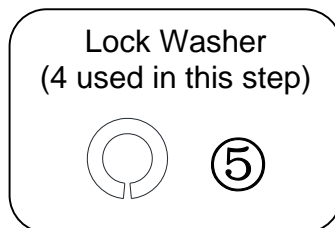
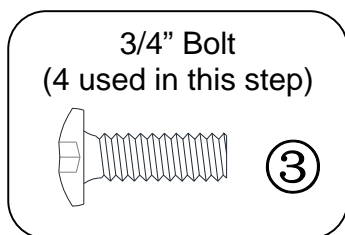
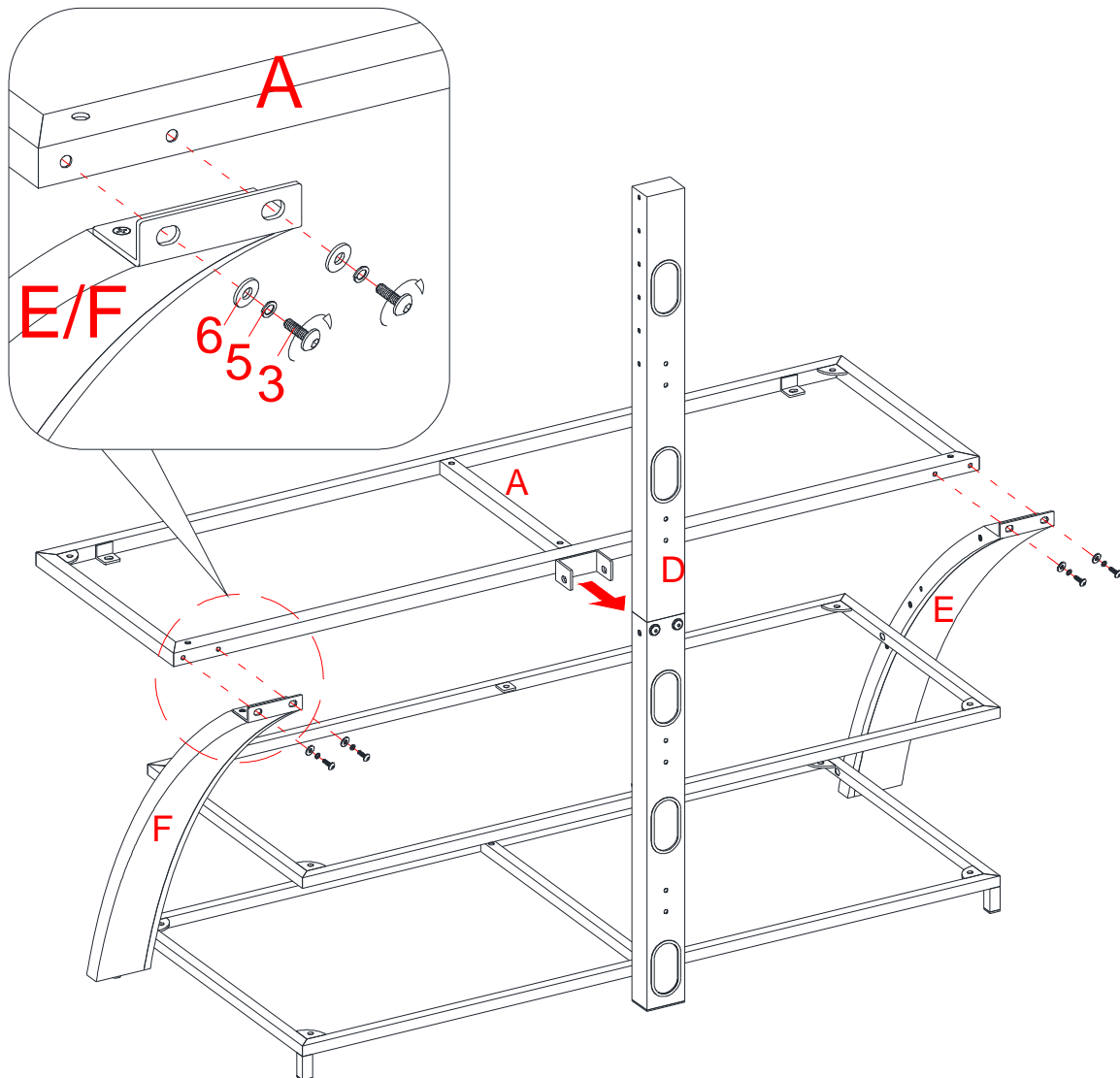
1. Unpack the unit and confirm that you have all the hardware and required parts.
2. Locate the Spine Assembly (D) and set back face down on a scratch free surface, as shown.
3. Align and attach 2 lower Shelf Frames (B and C) to the Lower Spine with four 1" Bolts (4). Make sure that the inside corner plates on the shelf frames will face up when the unit is turned upright.

## Assembly Instructions



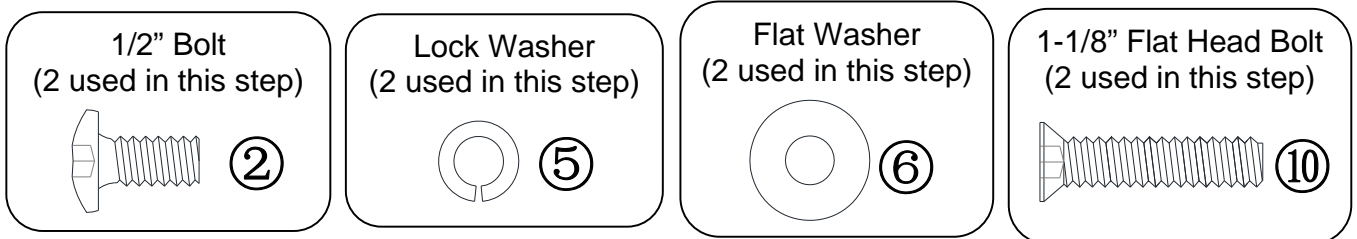
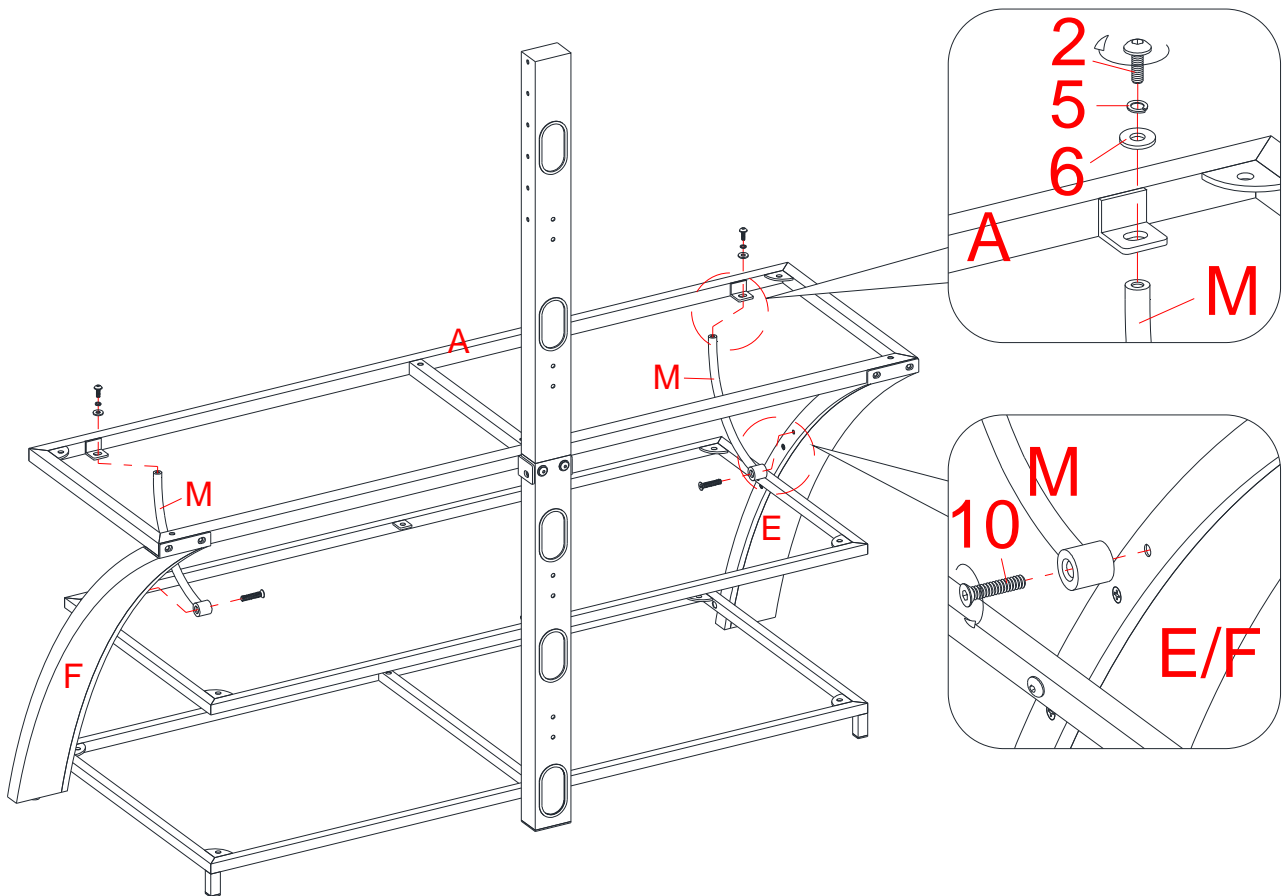
4. Align and attach the Left Leg (E) to the Lower Shelf Frames (B and C) by inserting two 1" Bolts (4) from inside the Shelf Frames through the pre-drilled holes on side rail and screw into the threaded sockets on the Leg. *DO NOT tighten the bolts.*
5. Repeat last step with the Right Leg (F).

## Assembly Instructions




6. Stand the unit upright.
7. Align and attach the Top Shelf Frame (A) to the Legs (E and F) with the inside corner plates facing up, using four 3/4" Bolts (3) with the Washers (5 and 6) through the end bracket holes of the Legs and screw into the back sockets of Top Shelf Frame (A).

## Assembly Instructions



8. Align and attach one Top Shelf Support (M) to the "L" bracket on Top Shelf Frame (A) using a 1/2" Bolt (2) with the Washers (5 and 6). Secure the Top Shelf Support (M) to the Left Leg (E) with the provided 1-1/8" Flat Head Bolt (10).
9. Repeat the same procedure to attach the other Top Shelf Support (M) at the other end.
10. Go back and tighten all bolts with the provided 4 mm Allen wrench

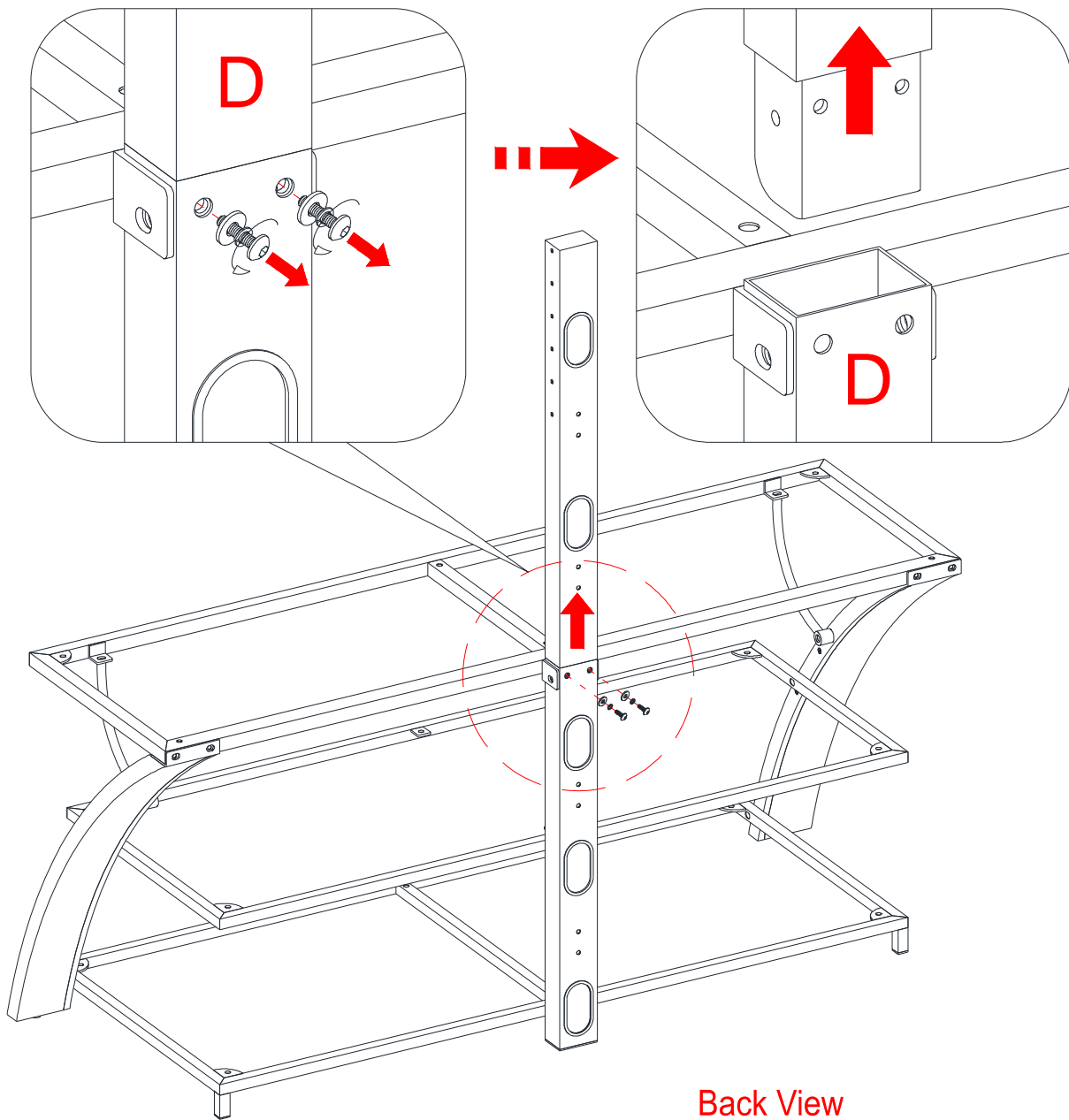


If you choose Table-top Console configuration, continue to the next step. If mounting TV with the Floating Swivel Mount, skip ahead to PAGE 14.

Please call for replacement parts or assistance: 1-866-942-5362



## Assembly Instructions for Table-top Console



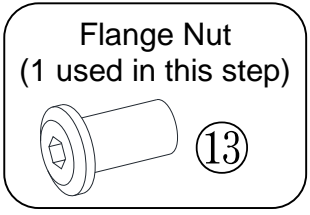
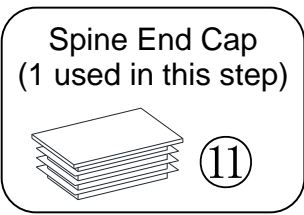
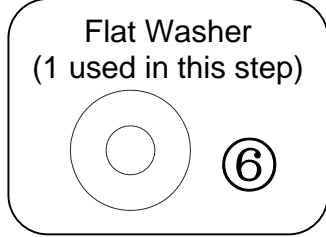
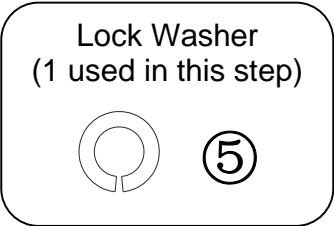
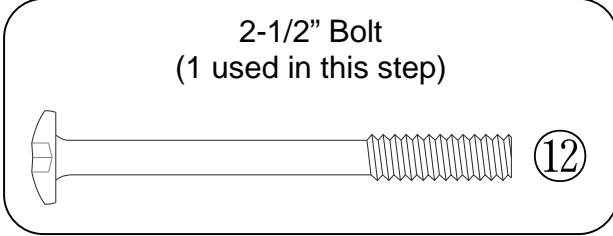
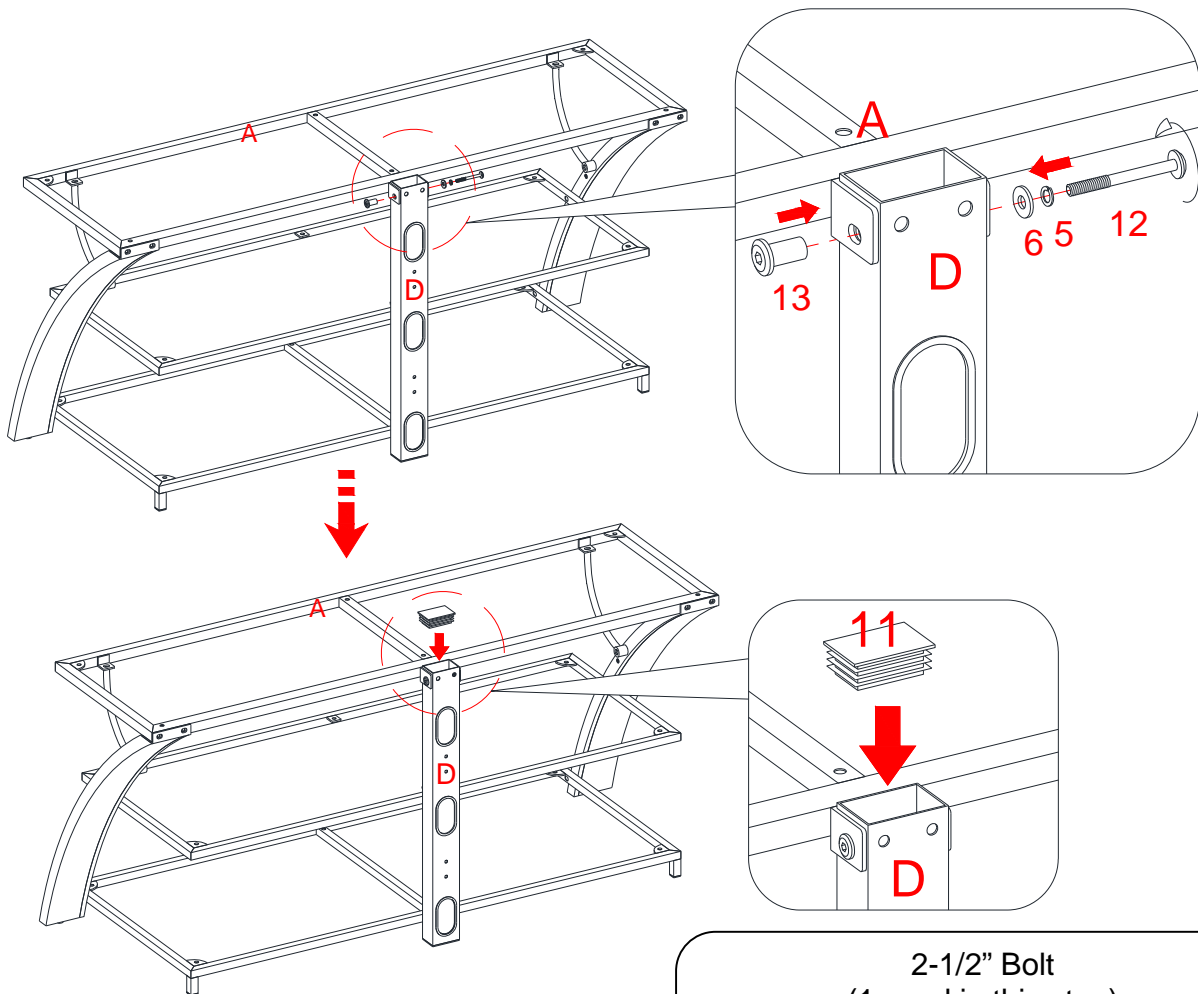
Back View

11. At the back side of the Spine Assembly (D), unscrew the two bolts and the washers to remove the Upper Spine. So that you can use the table top console configuration.

**NOTE:** Keep the Upper Spine and the fasteners at a proper place in case you will use the floating swivel mount.

Please call for replacement parts or assistance: 1-866-942-5362

## Assembly Instructions for Table-top Console

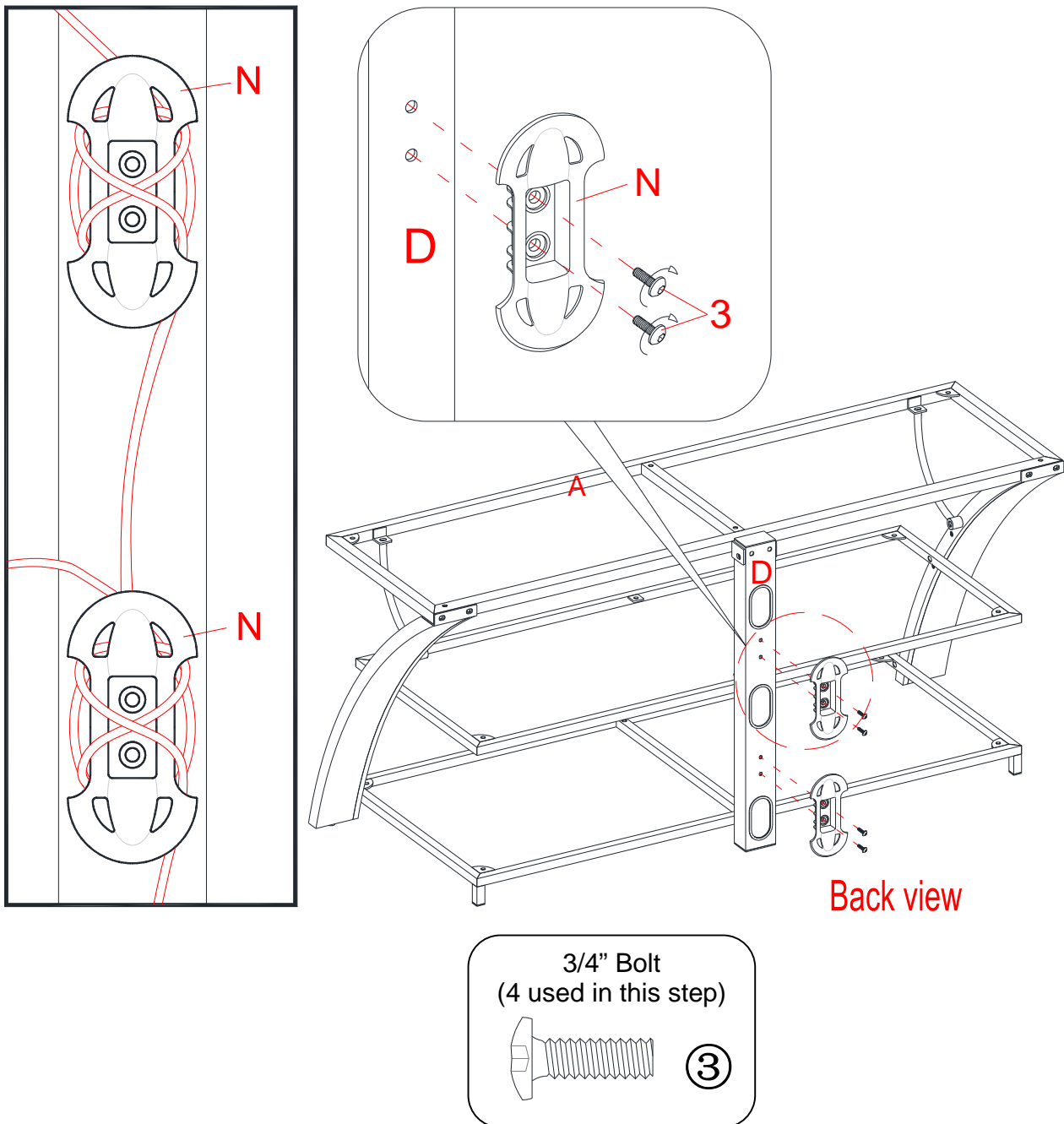


12. Plug the Spine End Cap (11) all the way into the top of the Lower Spine (D).

13. Secure the Top Shelf Frame (A) to the Lower Spine (D) by inserting one 2-1/2" Bolt (12) with the Washers (5 and 6) through the bracket hole and securely screw into the Flange Nut (13).

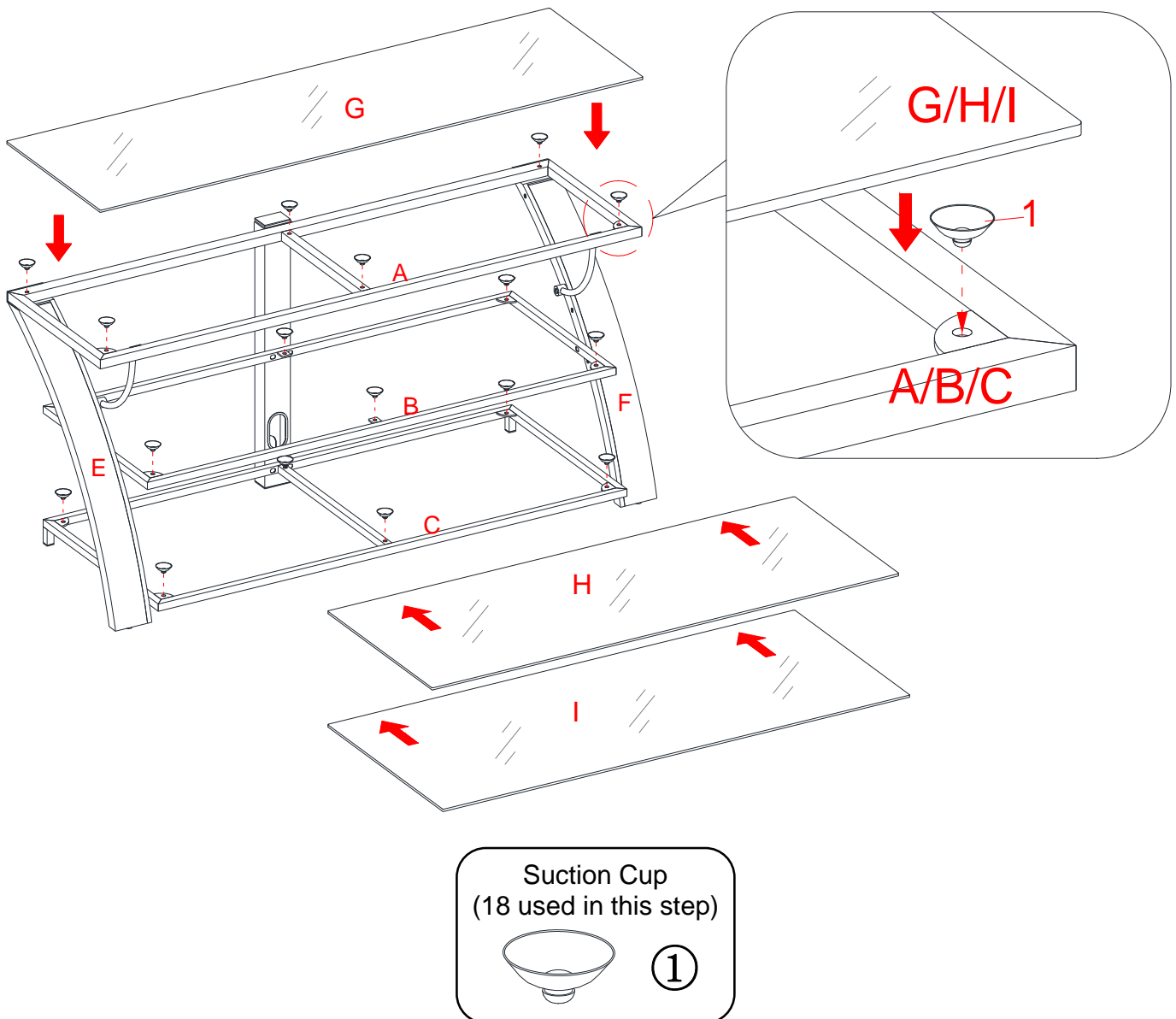
Please call for replacement parts or assistance: 1-866-942-5362

## Assembly Instructions for Table-top Console



14. Attach 2 Cable Wheels (N) to the backside of the Lower Spine (D) with the 3/4" Bolts (3). Tighten the bolts with the provided Allen wrench.
15. The Cable Wheels (N) enable you to shorten, separate and route cables and cords. Using the Cable Wheels, you can create a system for routing cables through channels, between components and to power sources without tangled mess or annoying signal interference.

## Assembly Instructions for Table-top Console



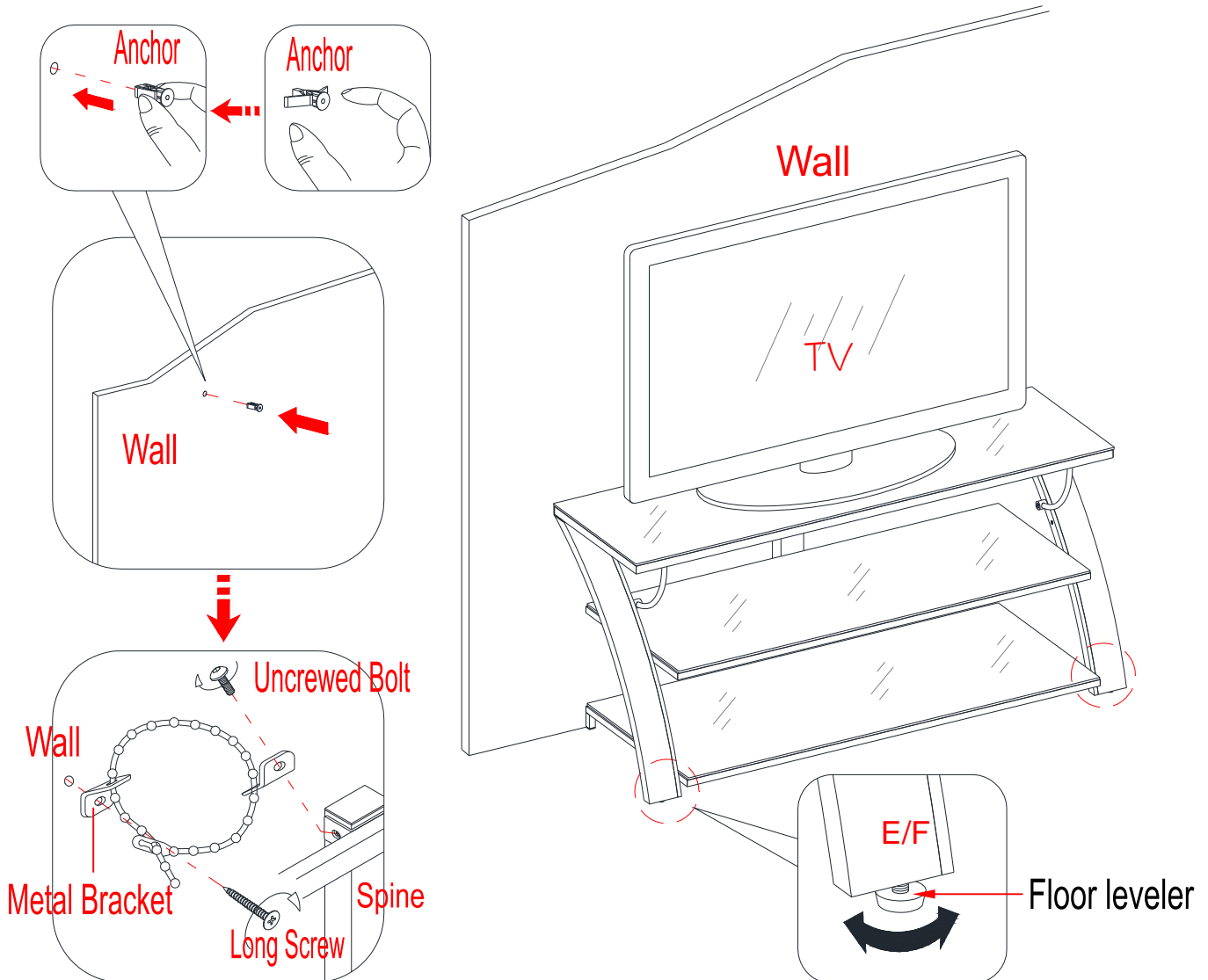
16. Put the Suction Cups (1) firmly into top holes and inside corner plates on 3 Shelf Frames (A, B and C), as shown.

**TIP:** If a Suction Cup resists insertion, try pressing down on the middle of the cup with the Allen wrench while twisting it clockwise into the hole.

17. Place the Top Glass (G) and Glass Shelves (H and I) in place beginning with the Bottom Glass Shelf (I), as shown above. Make sure that the glass shelf is properly centered. Push each glass shelf all the way back against the Spine. Also, be sure to press down evenly and firmly each glass shelf onto the Suction Cups to make sure they securely rest onto the Suction Cups.

Please call for replacement parts or assistance: 1-866-942-5362

## Assembly Instructions for Table-top Console



**Tools required:** Allen wrench (provided), Phillips screwdriver, mallet, power drill, and 3/8" drill Bit (not provided).

18. Position the assembled console at the desired location against a wall. In case of uneven floor, Floor Levelers are provided at the bottom of both Legs (E and F). Simply tilt the unit back and raise or lower Floor Leveler by hand to correct tilting, as shown above.

**NOTE:** YOU MUST USE THIS TIPPING RESTRAINT TO ATTACH THIS UNIT TO THE WALL, TO PREVENT THE UNIT FROM TIPPING, CAUSING ACCIDENTS AND/OR INJURIES.

19. Now, follow the instructions printed on the plastic bag containing the Tipping Restraint Hardware to attach the tip-over restraint to the Spine and the wall.

20. The console is now ready for use. Be sure to position your Flat Panel TV in the center of the console.

**NOTE:** If you choose the Tilting Wall Mount configuration, proceed to PAGE 21.

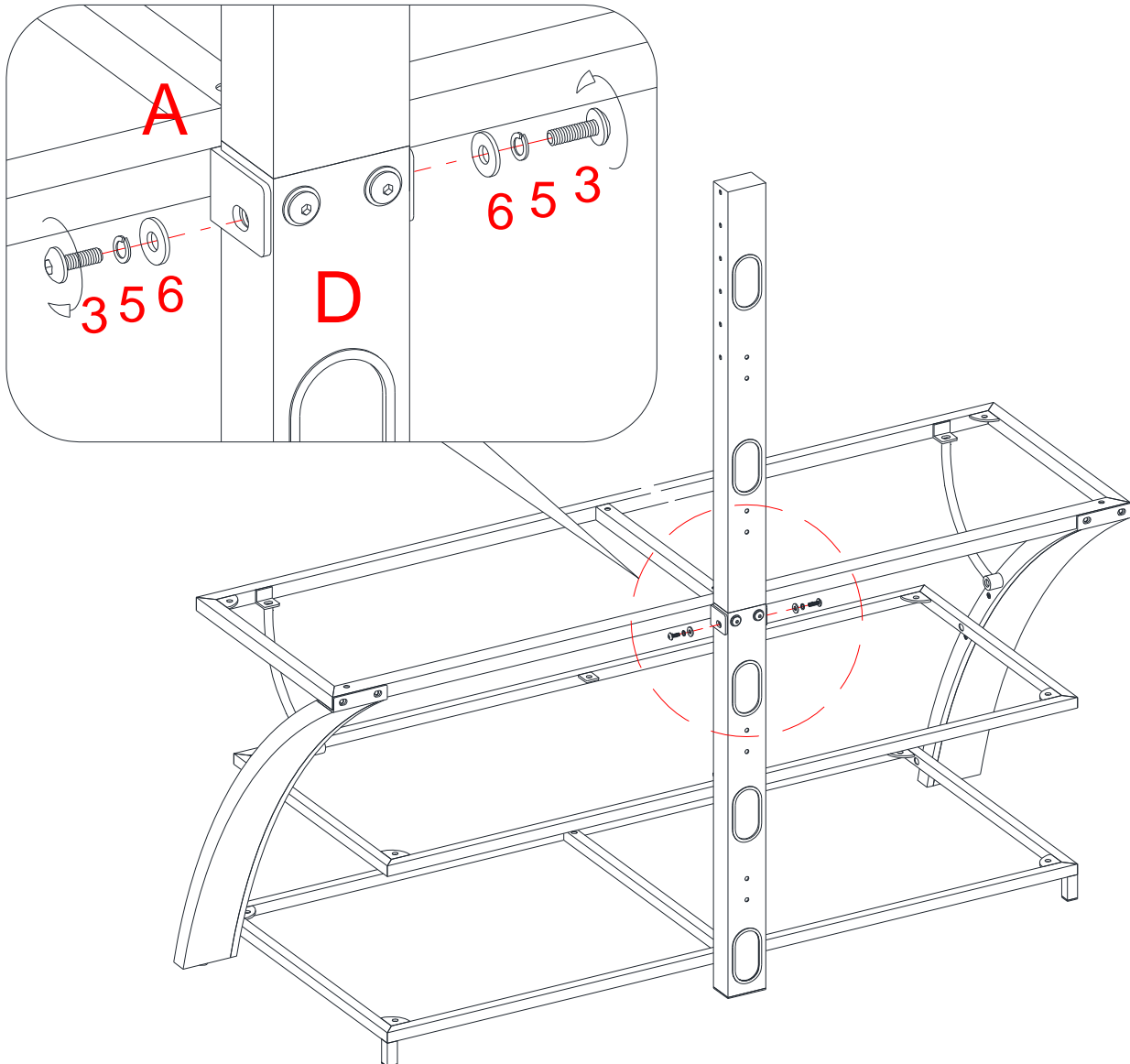
Please call for replacement parts or assistance: 1-866-942-5362

Whalen Furniture Manufacturing

Page 13

Factory No. 17053

# Assembly Instructions for Floating Swivel Mount



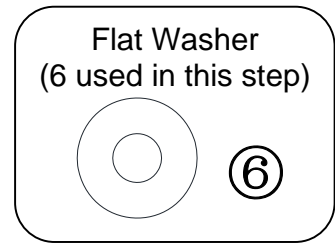
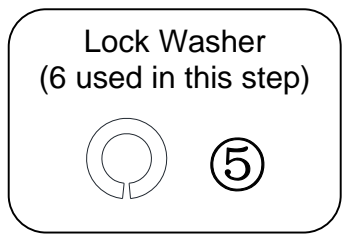
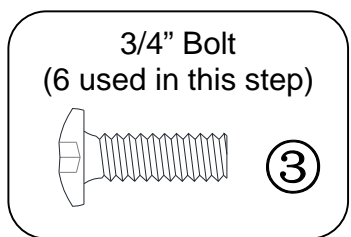
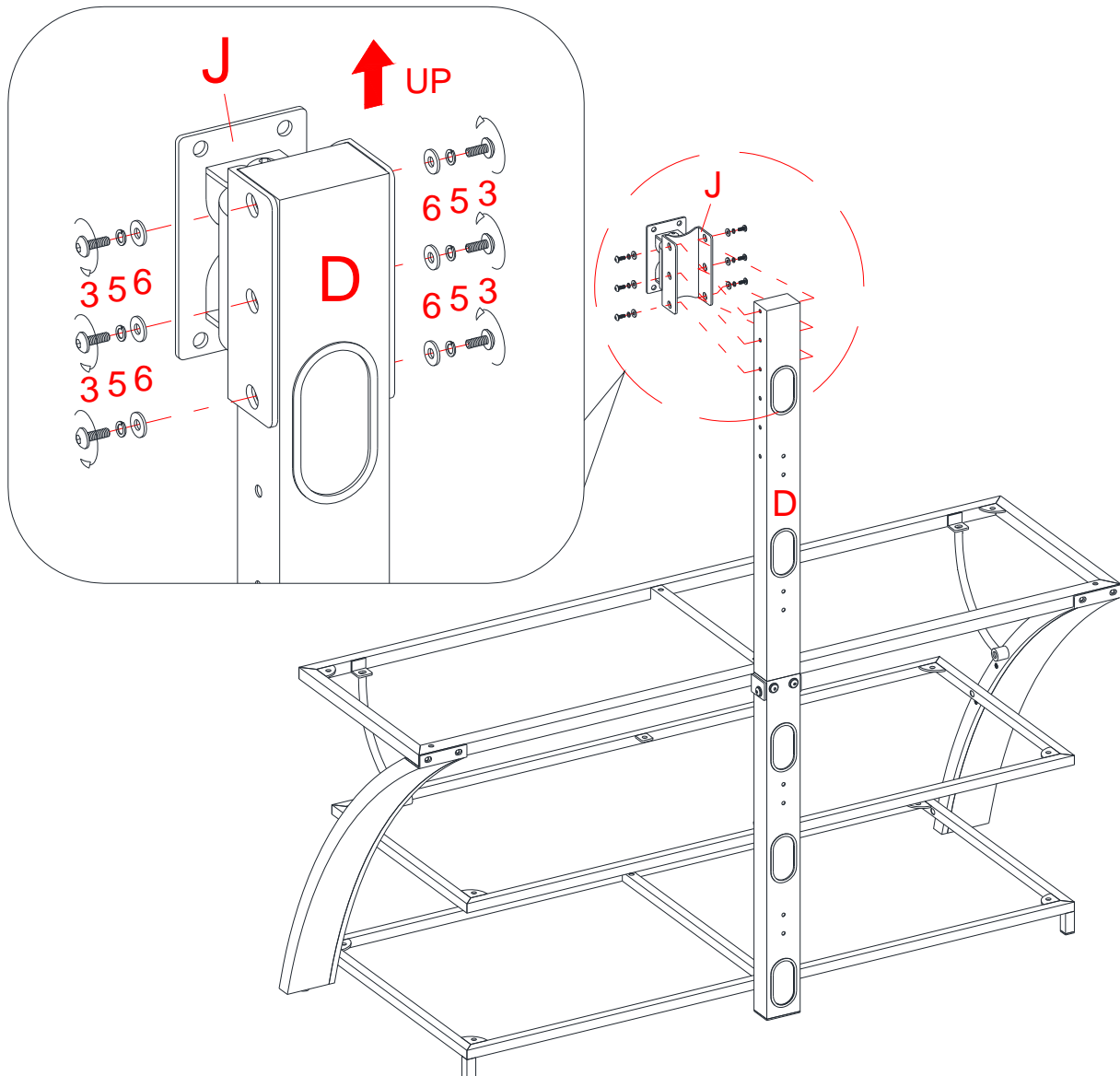
**3/4" Bolt**  
(2 used in this step)

**Lock Washer**  
(2 used in this step)

**Flat Washer**  
(2 used in this step)

21. Secure the Top Shelf Frame (A) to the Spine Assembly (D) by using two 3/4" Bolts (3) and two Washers (5 and 6), as shown above.

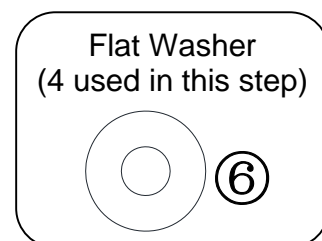
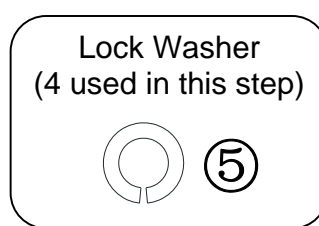
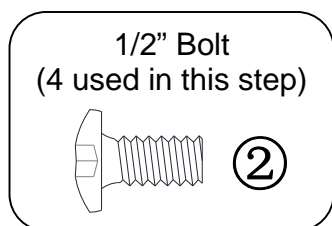
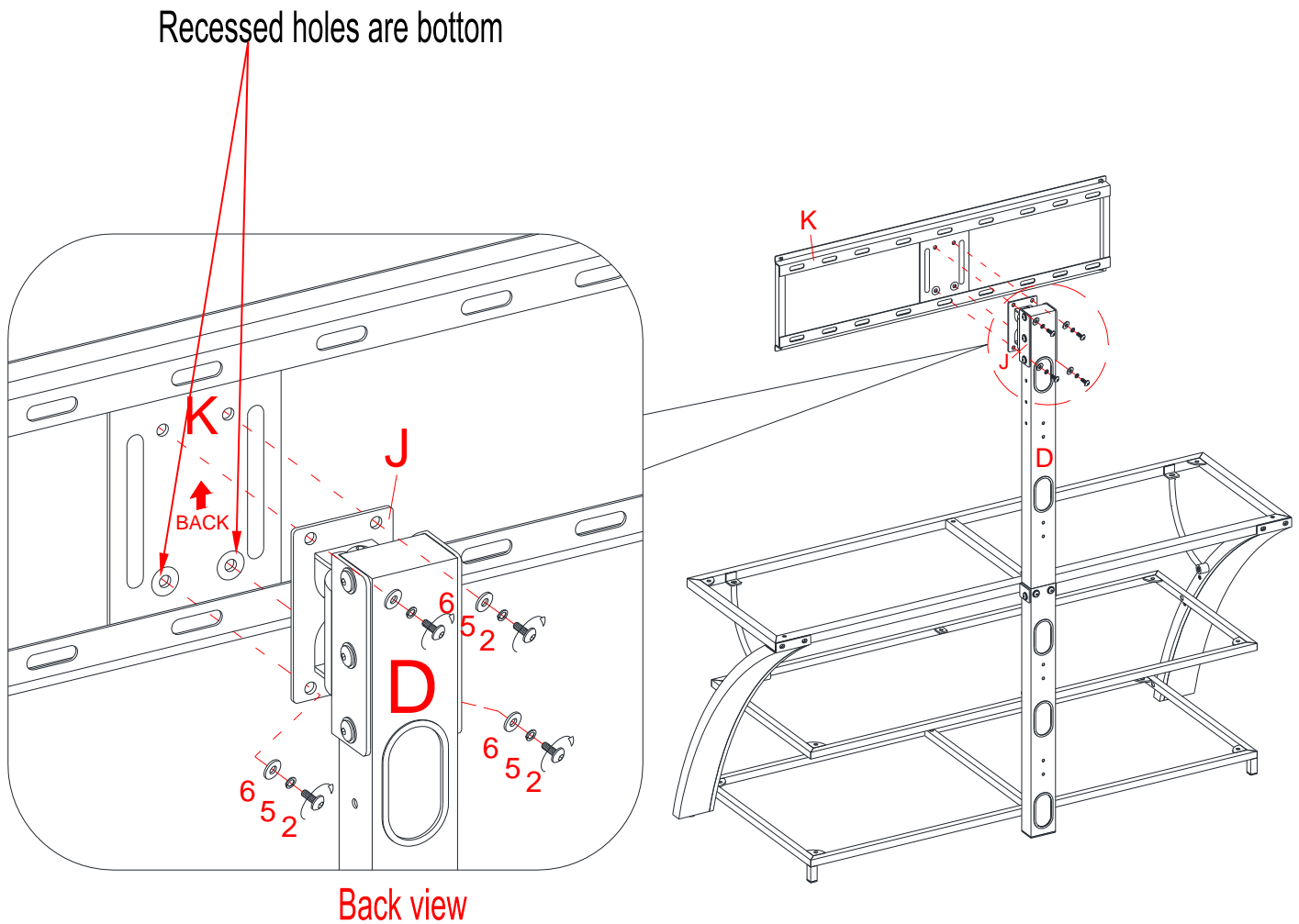
## Assembly Instructions for Floating Swivel Mount



22. Fasten the Swiveling Bracket (J) to the top of Spine (D) with six 3/4" Bolts (3) and six Washers (5 and 6). Make sure that the pivoting bolt head faces up.

**NOTE:** The Spine can provide four height options for the TV set. Refer to your TV size and adjust the Swiveling Bracket to the desired height for optimum viewing.

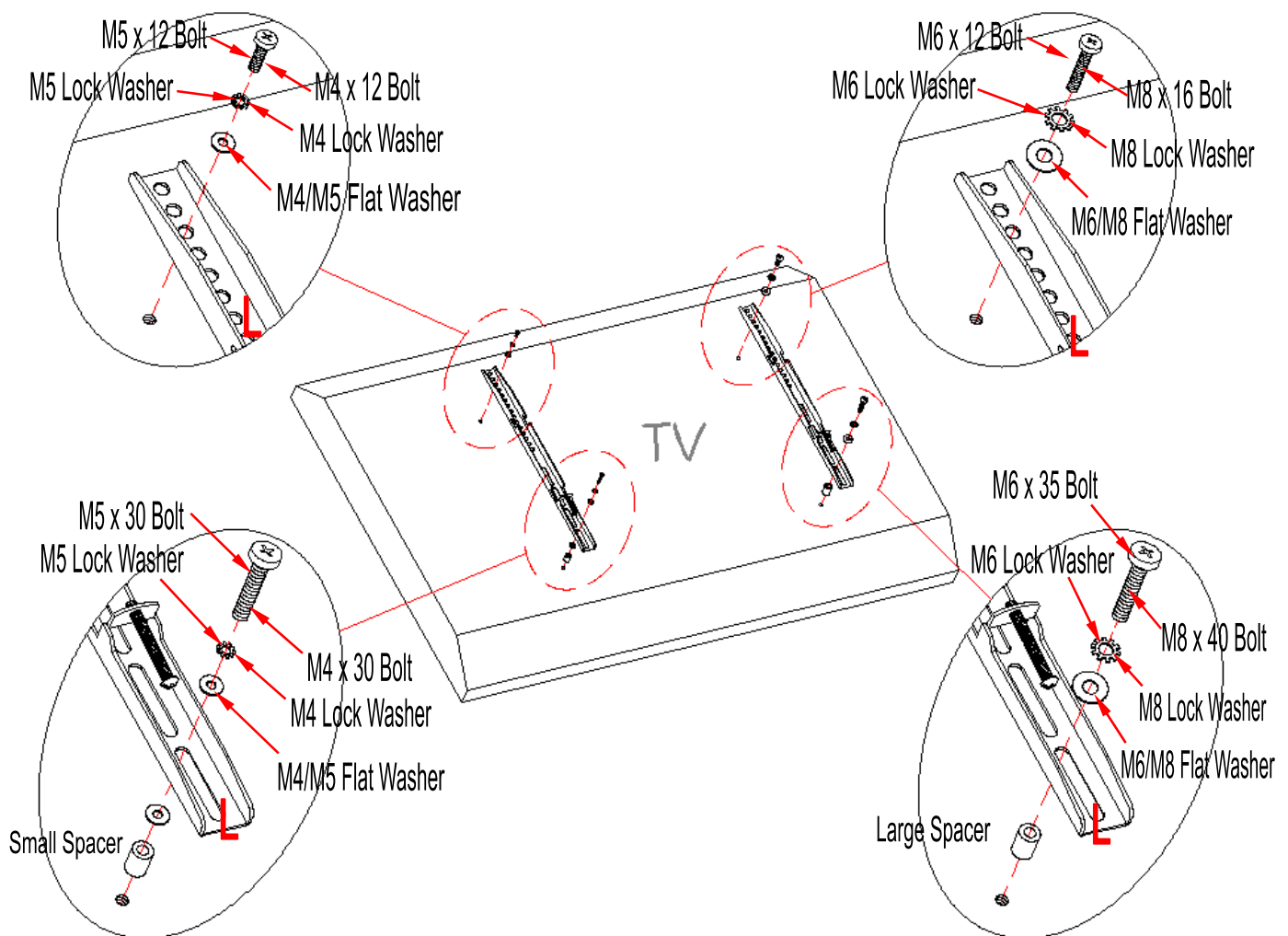
## Assembly Instructions for Floating Swivel Mount



23. Hold and attach the flat side of the Mounting Frame (K) onto the Swiveling Bracket (J) using four 1/2" Bolts (2) and four Washers (5 and 6). Make sure that the recess holes on the Mounting Frame are at the bottom.



## Mounting Monitor Brackets to a Television with a Flat Back



**NOTE:** For televisions with a curved or recessed back, proceed directly to next page.

24. Determine the correct diameter of the bolt the TV requires by hand threading them into the threaded insert on the back of the TV. If you encounter any resistance, stop immediately. If you are unable to find the correct bolt, consult a local hardware store.

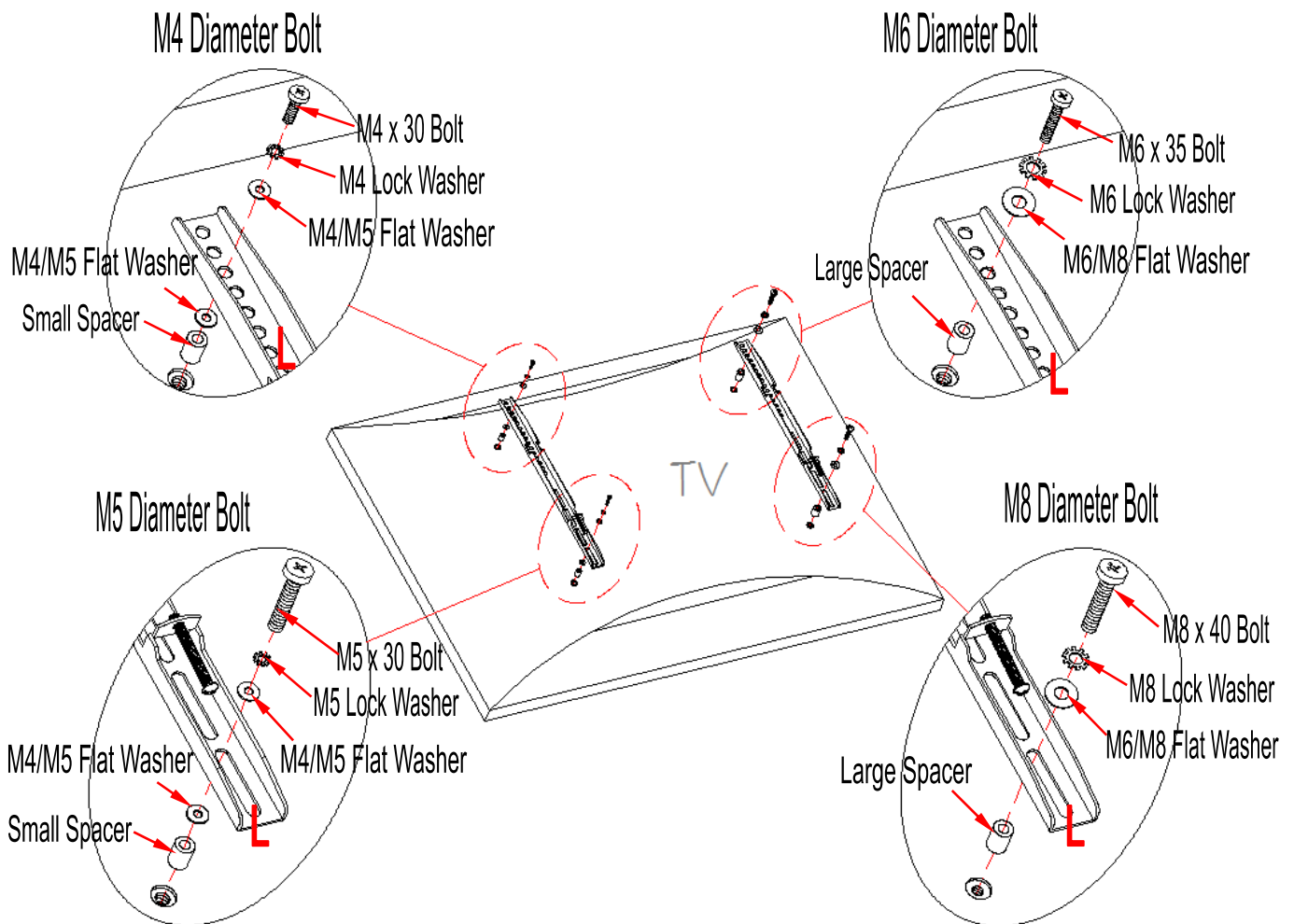
25. Follow the appropriate diagram above to attach the Monitor Brackets (L) to the back of the TV with selected fasteners. Make sure the Monitor Brackets are centered and level with each other. Secure the bolts with a Phillips Screwdriver. DO NOT over tighten the bolts.

**NOTE:** Lean the TV up against a wall or other solid surface when attaching the Monitor Brackets. DO NOT place the TV face down on the glass as this may cause permanent damage.

**NOTE:** If mounting your TV in the Wall Mount configuration, once you have completed the installation of the monitor brackets, proceed to PAGE 21

Please call for replacement parts or assistance: 1-866-942-5362

## Mounting Monitor Brackets to a Television with a Curved/Recess Back



26. Determine the correct diameter of the bolt the TV requires by hand threading them into the threaded insert on the back of the TV. If you encounter any resistance, stop immediately. If you are unable to find the correct bolt consult a local hardware store.

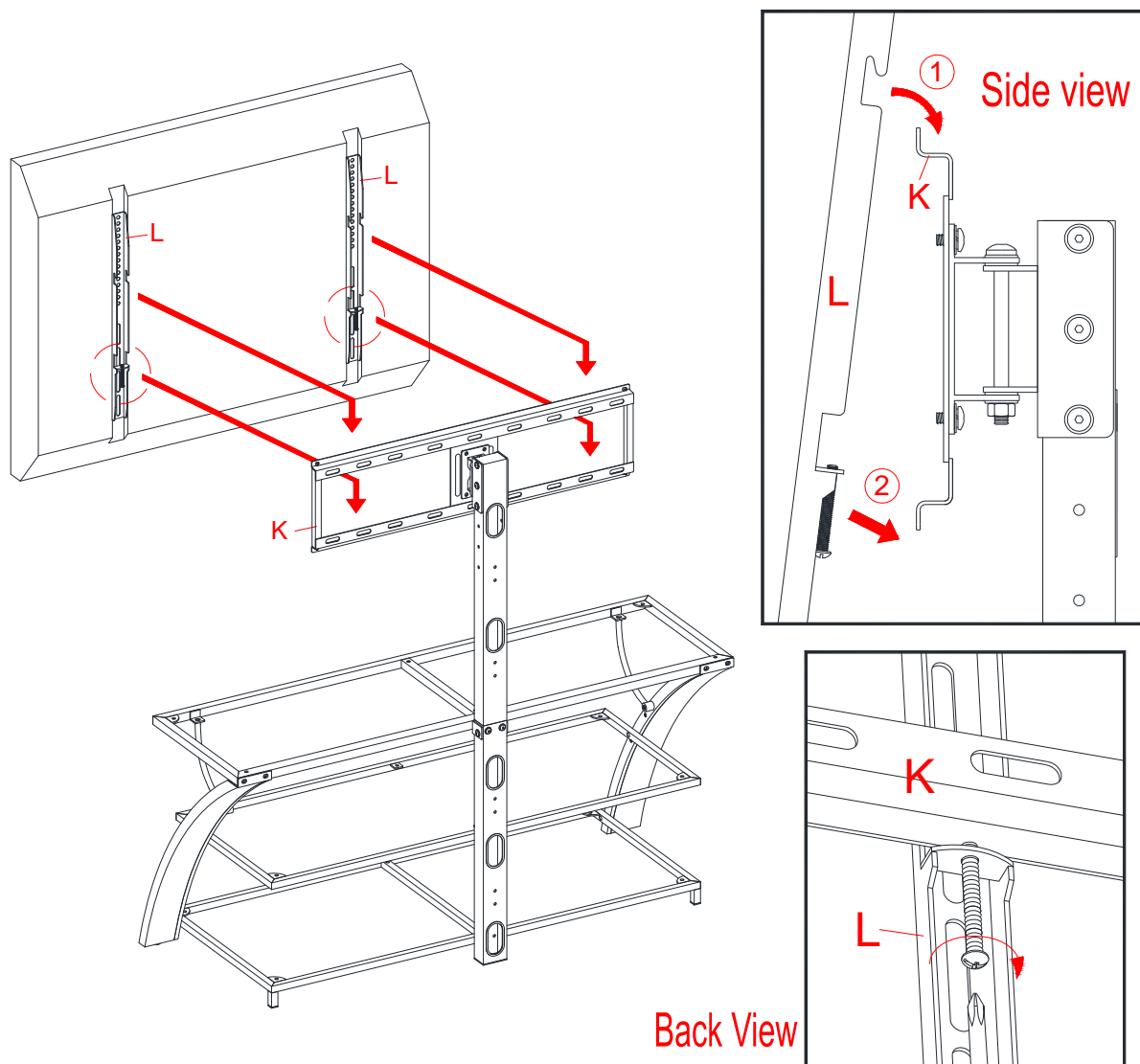
27. Follow the appropriate diagram above to attach the Monitor Brackets (L) to the back of the TV with selected fasteners. Make sure the Monitor Brackets are vertically centered and level with each other. Secure the bolts with a Phillips Screwdriver. **DO NOT** over tighten the bolts.

**NOTE:** Lean the TV up against a wall or other solid surface when attaching the Monitor Brackets. **DO NOT** place the TV face down on the glass as this may cause permanent damage.

**NOTE:** If mounting your TV in the Wall Mount configuration, once you have completed the installation of the monitor brackets, proceed to **PAGE 21**

Please call for replacement parts or assistance: 1-866-942-5362

## Assembly Instructions for Floating Swivel Mount



**MAKE SURE ALL BOLTS ARE TIGHT AND THE SPINE IS AT A 90 DEGREE ANGLE AND USE A QUALITY LEVEL TO VERIFY THE MOUNTING FRAME IS LEVEL PRIOR TO INSTALLATION OF TV.**

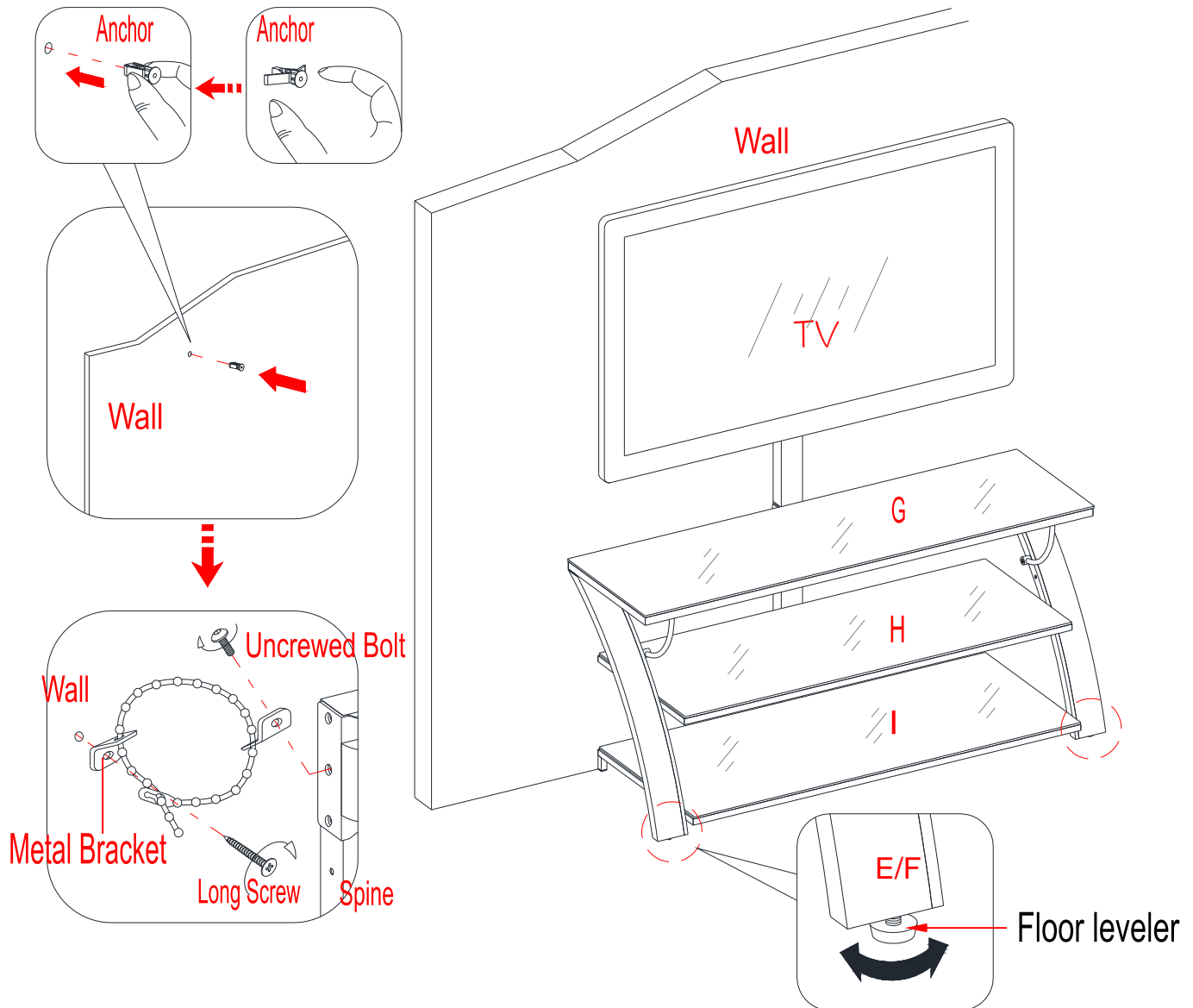
28. Once the Monitor Brackets (L) are attached onto the back of television, ask for assistance to lift the television up to hang the Monitor Brackets (L) onto the Mounting Frame (K). Set the hooks on the Monitor Brackets over the Mounting Frame and then lower them onto the bars of the Mounting Frame.

**NOTE:** Loosen the Lock Bolt that is pre-attached to the Monitor Brackets to ensure an easy fit at the bottom hooks.

29. Center the television and tighten both Lock Bolts with a long Phillips screwdriver until they hit the underside of the Mounting Frame (K) to ensure your TV is safe and secure.

Please call for replacement parts or assistance: 1-866-942-5362

## Assembly Instructions



**Tools required:** Allen wrench (provided), Phillips screwdriver, mallet, power drill, and 3/8" drill Bit (not provided).

**30. Repeat steps 14 through 17 to attach the Cable Wheels (N) and install the Glass Shelves (G, H and I) in place.**

31. Carefully move the console and position in your desired location against a wall. Now follow the instructions printed on the plastic bag containing Tipping Restraint Hardware Kit to attach the tip-over restraint to the Spine (D) and the wall.

**NOTE: You must install the Tipping Restraint Hardware with the unit in use to prevent any accidents or damage to the unit.**

32. The console is now ready for use. Swivel the TV left-or-right for optimum viewing control.

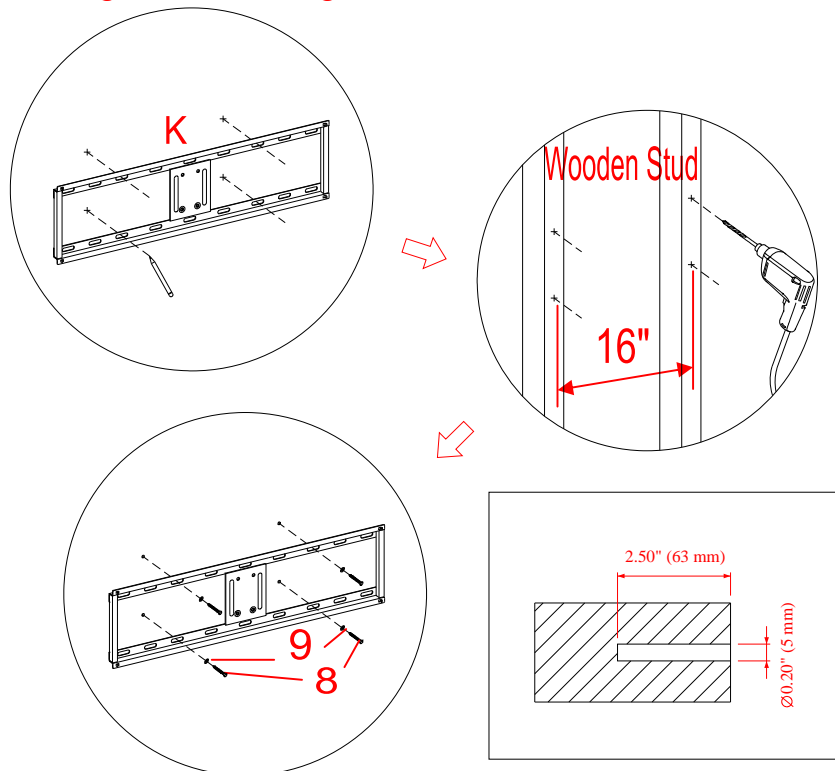
Please call for replacement parts or assistance: 1-866-942-5362



The following steps are only for those who wish to mount their TV directly to the wall. If you have already mounted your TV to the Swinging Floater or plan to display your TV on the top surface of the stand, disregard the following steps.

### Assembly Instructions for Universal Wall Mount

#### Installing the Mounting Frame onto a WOODEN STUD WALL



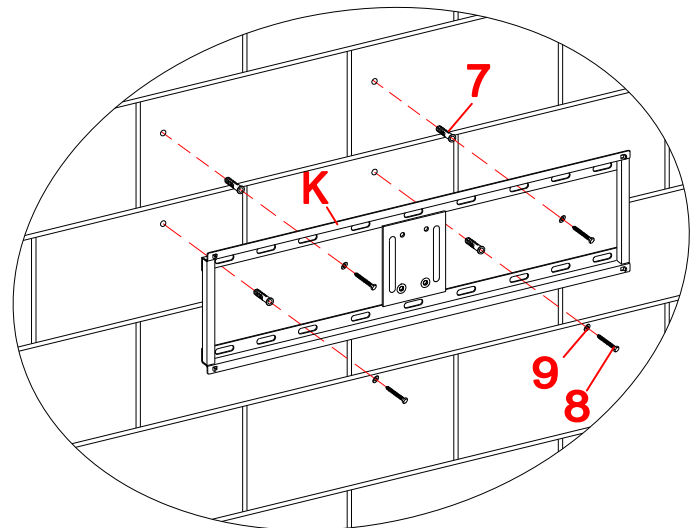
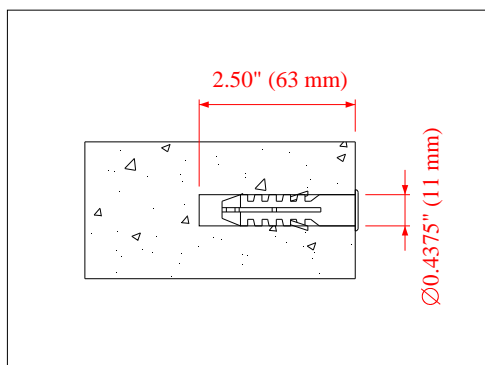
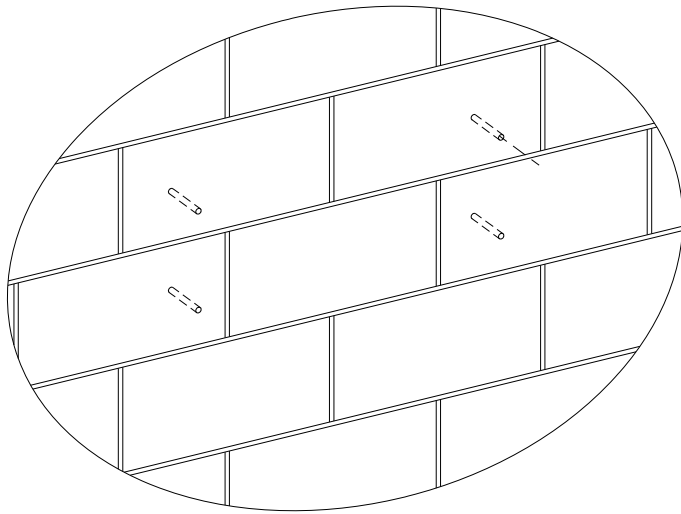
**NOTE:** If you are mounting your TV onto brick, solid concrete or concrete block, skip this section. This assembly requires an electric drill, level and stud finder (not included).

33. Using a stud finder, locate the edges of the wood studs. Find the center line of each stud and draw a vertical reference line on the wall over each one. Place the Mounting Frame (K) level against the wall where you intend to mount the TV. Using the Mounting Frame (K) as a template, mark 4 drill points (2 on top, 2 on bottom) with a pencil on the vertical reference lines you just drew.
34. With an electric drill (not included) drill 3/16 inch diameter holes to at least 2½ inch deep on the four drill points. While holding the Bracket Plate in place, loosely screw in the Lag Bolts (8).
35. Secure the Mounting Frame (K) to wall with the Lag Bolts (8) and the Washers (9) at the drill points. Tighten the bolts firmly, but be careful not to over tighten.

**⚠ WARNING** Do not over tighten the Lag Bolts. Tighten Lag Bolts only until the Lag Bolt Washer is pulled firmly against the metal plate of Mounting Frame. If there is a layer of drywall or other material, this drywall or other material may not exceed 5/8 inch in thickness. Failure to heed this caution may result property damage and/or personal injury.

Please call for replacement parts or assistance: 1-866-942-5362

## Assembly Instruction for installing the Mounting Frame onto a BRICK, SOLID CONCRETE OR CONCRETE BLOCK WALL



**⚠ WARNING** Maximum weight 61.2 kg /135 lb

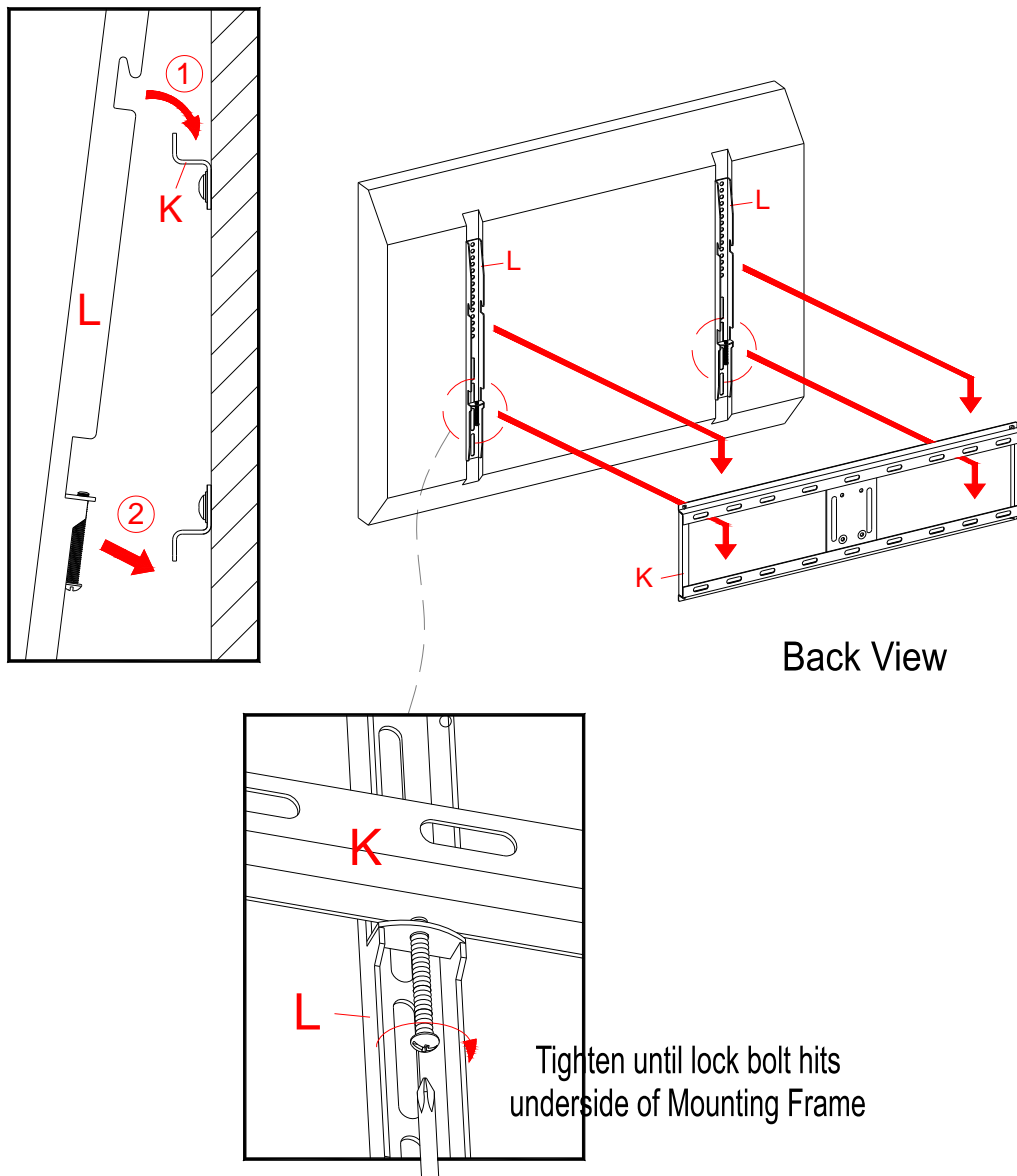
**⚠ WARNING** Concrete Anchors should only be used for masonry mounting. NEVER use the wall anchors to mount the unit to drywall.

**NOTE:** If you are mounting your TV to a wall with wooden studs, skip this section. This assembly requires an electric drill and level (not included).

36. Begin by placing the Mounting Frame (K) level against the wall where you intend to mount the TV. Using the Mounting Frame (K) as a template, mark 4 drill points with a pencil.
37. With an electric drill (not included) on its low setting, drill 7/16 inch diameter holes to at least 2½ inch (63 mm) deep. Insert the Concrete Anchors (7) into the pre-drilled holes so that they are flush with the wall.
38. Place the Mounting Frame (K) level in the desired position against the wall. Secure the Mounting Frame (K) to wall with the Lag Bolts (8) and the Washers (9) at the drill points. Tighten the bolts firmly, but be careful not to over tighten.

Please call for replacement parts or assistance: 1-866-942-5362

## Assembly Instructions



39. Attach the Monitor Brackets (L) to the back of the television following steps 24 & 25, or 26 & 27, depending on the type of TV that you own.
40. Ask for assistance to lift the television up to attach the Monitor Brackets (L) onto the Mounting Frame (K). Place the hooks of the Monitor Brackets (L) over the Mounting Frame (K) and then lower them onto the bars of the Mounting Frame. Loosen the lock bolts that are pre-attached on the Monitor Brackets to ensure an easy fit at the bottom hooks. Proceed to center the television. When the TV is in its intended position, tighten both lock bolts with a long Phillips screwdriver until they hit the underside of the Mounting Frame (K). This will ensure the TV is safely secured to the wall.
41. Place the assembled console under your TV. Finally, connect the A/V and power cables to your TV. You are now ready to enjoy your wall-mounted Flat Panel TV.

Please call for replacement parts or assistance: 1-866-942-5362

## Care and Maintenance

- Use a soft, clean cloth that will not scratch the surface when dusting.
- Use of furniture polish is not necessary. Should you choose to use polish, test first in an inconspicuous area.
- Using solvents of any kind on your furniture may damage the finish.
- Never use water to clean your furniture as it may cause damage to the finish.
- Always use coasters under beverage glasses and flowerpots.
- Liquid spills should be removed immediately. Using a soft clean cloth, blot the spill gently. Avoid rubbing.
- Always use protective pads under hot dishes and plates. Heat can cause chemical changes that may create spotting within the furniture finish.
- Stains or marks from crayons or ink markers will be difficult to remove.
- In the event that your furniture is stained or otherwise damaged during use, we recommend that you call a professional to repair your furniture.
- Check bolts/screws periodically and tighten them if necessary.

## Further advice about furniture care

It is best to keep your furniture in a climate-controlled environment. Extreme temperature and humidity changes can cause fading, warping, shrinking and splitting of wood. It is advised to keep furniture away from direct sunlight as sun may damage the finish.

Proper care and cleaning at home will extend the life of your purchase. Following these important and helpful tips will enhance your furniture as it ages.

**A Touch-up Pen has been provided to repair any small nicks or scratches that may occur during assembly or shipping.**

We hope you enjoy your purchase for many years.  
Thank you for your purchase!

## QUALITY GUARANTEE

We are confident that you will be delighted with your Whalen Furniture purchase.

Should this product be defective in workmanship or materials or fail under normal use, we will repair or replace it for up to one (1) year from date of purchase. Every Whalen Furniture product is designed to meet your highest expectations. We guarantee that you will immediately see the value of our fine furniture.

This warranty gives you specific legal rights and you may also have other rights which vary from State to State.

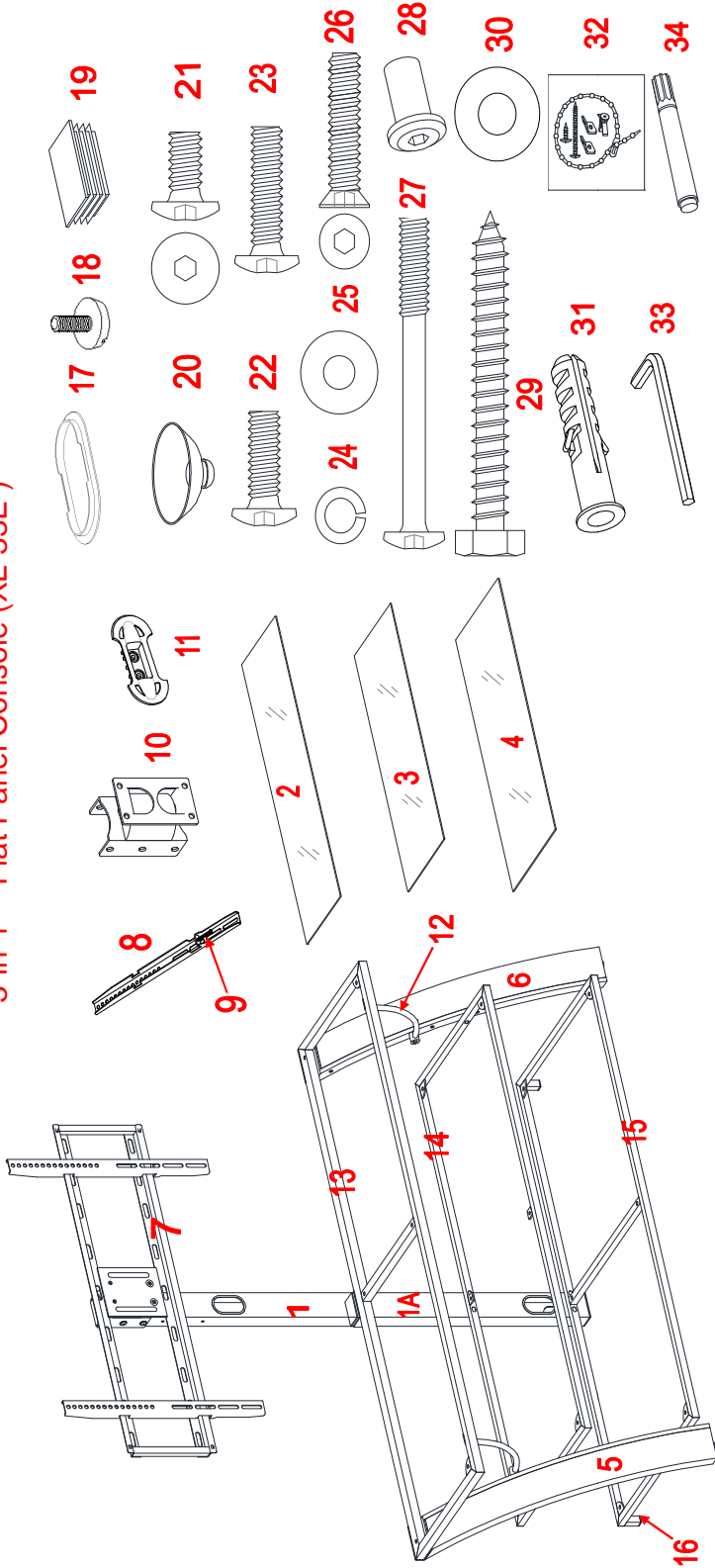
Customer Service: 1-866-942-5362  
8:30 a.m. - 4:30 p.m., PST, Monday to Friday  
[www.whalenstyle.com](http://www.whalenstyle.com)

**Please call for replacement parts or assistance: 1-866-942-5362**



IF YOU NEED TO ORDER ANY REPLACEMENT PARTS, PLEASE USE THE LIST BELOW

3-in-1™ Flat Panel Console (XL-33E )



*XL-33E-1-US	Upper Spine	*XL-33E-19-SEC	Spine End Cap
*XL-33E-1A-LS	Lower Spine	*XL-33E-20-SC	Suction Cup
*XL-33E-2-TG	Top Glass	*XL-33E-21-1/2B	1/2" Bolt
*XL-33E-3-MGS	Middle Glass Shelf	*XL-33E-22-3/4B	3/4" Bolt
*XL-33E-4-BGS	Bottom Glass Shelf	*XL-33E-23-1B	1" Bolt
*XL-33E-5-LL	Left Leg	*XL-33E-24-LW	Lock Washer
*XL-33E-6-RL	Right Leg	*XL-33E-25-FW	Flat Washer
*XL-33E-7-MF	Mounting Frame	*XL-33E-26-1-1/8FHB	1-1/8" Flat Head Bolt
*XL-33E-8-MB	Monitor Bracket	*XL-33E-27-2 1/2AB	2-1/2" Allen Bolt
*XL-33E-9-LB	Lock Bolt	*XL-33E-28-FN	Flange Nut
*XL-33E-10-SB	Swiveling Bracket	*XL-33E-29-2 1/2LB	2-1/2" Lag Bolt
*XL-33E-11-CW	Cable Wheel	*XL-33E-30-LFW	Large Flat Washer
*XL-33E-12-TSS	Top Shelf Support	*XL-33E-31-CA	Concrete Anchor
*XL-33E-13-TSF	Top Shelf Frame	*XL-33E-32-TRHK	Tipping Restraint Hardware Kit
*XL-33E-14-MSF	Middle Shelf Frame	*XL-33E-33-M4AW	4 mm Allen Wrench
*XL-33E-15-BSF	Bottom Shelf Frame	*XL-33E-34-TUP	Touch-up Pen
*XL-33E-16-SPEC	Square Plastic End Cap (16 x 16 mm)	*XL-33E-TVMK	TV Mounting Kit
*XL-33E-17-OPG	Oval Plastic Grommet	*XL-33E-CH	Complete Hardware
*XL-33E-18-FL	Floor Lever		



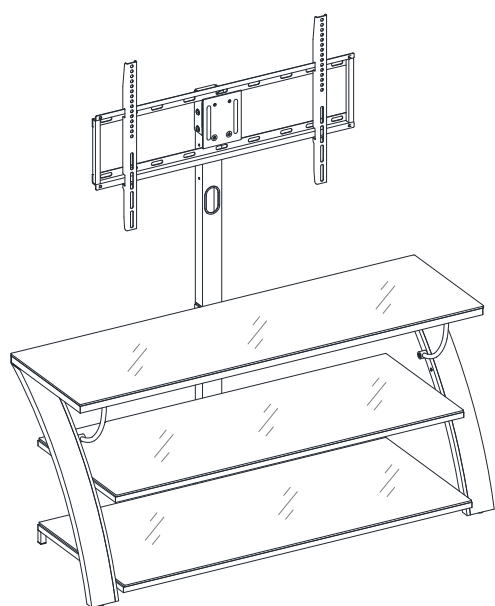
LOTE NÚMERO: \_\_\_\_\_  
FECHA DE COMPRA: \_\_\_/\_\_\_/\_\_\_

# Consola para TV de Pantalla Plana 3-en-1™

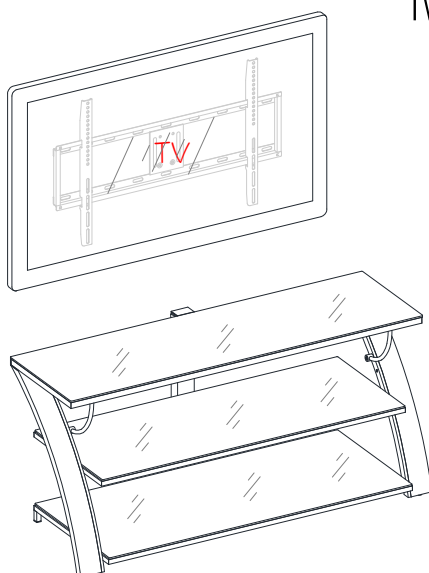
## Serie # XL-33E

U.S.A. Patente 8,561,551

Este producto está diseñado para configuración 3 en 1. Por favor escoja cuál de las 3 opciones es adecuada para usted. NO deseche ninguna de las piezas de ferretería o piezas que no usará en la opción que elija. Esto le permitirá hacer uso de la consola para TV en diferentes configuraciones, más adelante, cuando lo desee.

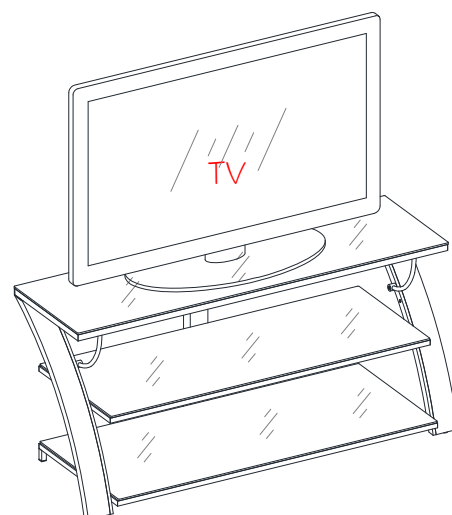


Flotador giratorio



Montaje en pared

TV se vende por separado



Consola tipo mesa

### ENSAMBLE DEBE SER REALIZADO POR ADULTOS

Si tiene alguna pregunta acerca del ensamble o si falta alguna pieza, no devuelva este producto a la tienda donde lo compró. Llame a nuestro departamento de servicio al cliente y tenga a la mano su instructivo y lista de piezas para proveer el modelo, nombre de la pieza o el número de fábrica:

1-866-942-5362

Hora Estándar del Pacífico: 8:30 a.m. - 4:30 p.m. de Lunes a Viernes  
O visite nuestra página de Internet 24 hours al día, 7 días a la semana para ayuda a

[www.whalenstyle.com](http://www.whalenstyle.com)

O mande un correo con lo que requiere a [parts@whalenfurniture.com](mailto:parts@whalenfurniture.com)

**ESTE INSTRUCTIVO CONTIENE INFORMACIÓN IMPORTANTE DE SEGURIDAD.  
POR FAVOR LEA Y MANTENGA EL INSTRUCTIVO PARA USO FUTURO.**

Whalen Furniture Manufacturing

Página 1

Fábrica No. 17053

Fecha 2015-05-22 Rev. 1 Fábrica: TANBOD

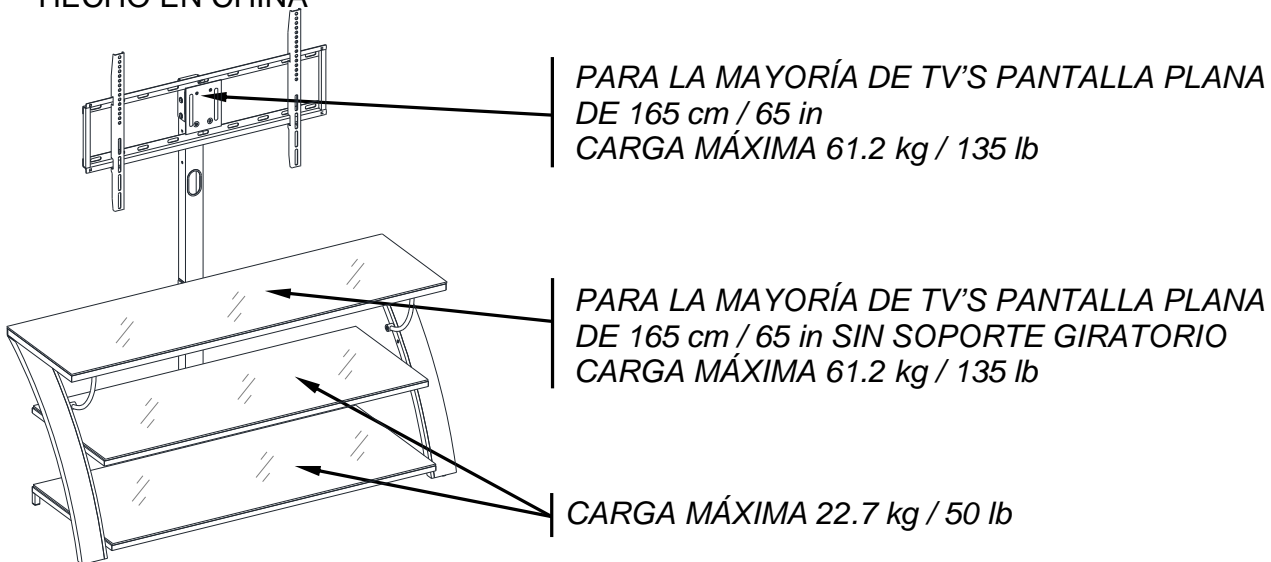
## PESOS MÁXIMOS RECOMENDADOS

FABRICANTE: Whalen Furniture Manufacturing

CATALOGO: Consola para TV de Pantalla Plana 3-en-1™ (XL-33E)

FECHA DE MANUFACTURA: Mayo 2015

HECHO EN CHINA



### ⚠️ ADVERTENCIA

ESTA UNIDAD NO DEBE UTILIZARSE CON TV'S CRT O DE TUBO. UTILIZARSE ÚNICAMENTE CON TELEVISIONES DE PANTALLA PLANA Y EQUIPO DE AUDIO/VIDEO QUE TENGA LA MEDIDA/PESO RECOMENDADOS. NUNCA UTILIZAR CON TV'S MAS GRANDES/PESADAS DE LAS RECOMENDADAS PARA EVITAR INESTABILIDAD. PARA EVITAR INESTABILIDAD COLOQUE EN EL CENTRO DE LA UNIDAD; LA BASE DE LA TELEVISIÓN DEBE DE REPOSAR SOBRE LA SUPERFICIE DE SOPORTE DE LA UNIDAD SIN REBASAR LAS ORILLAS. TV'S PANTALLA PLANA IMPROPIAMENTE COLOCADAS, TV'S PANTALLA PLANA O EQUIPO QUE SOBREPASA LAS MEDIDAS Y PESOS RECOMENDADOS PUEDE CAERSE Y/O ROMPER LA UNIDAD, CAUSANDO POSIBLES DAÑOS O LESIONES.

## INFORMACIÓN GENERAL, RECOMENDACIONES Y TRUCOS

1. Por favor lea el instructivo antes de comenzar el ensamble.
2. Retire todo el artículo de ferretería de la caja y acomodar por medida.
3. Revise que todo el artículo de ferretería y piezas estén completas ANTES de comenzar el ensamble.
4. Pida ayuda a un amigo para ensamblar esta unidad.
5. Para evitar daños, ensamble esta unidad en una área libre, limpia y nivelada.
6. Espere que todos los pasos se terminen antes de apretar todos los pernos completamente.
7. Asegúrese que todos los pernos estén bien apretados antes de utilizar al unidad.

Este producto se vende con un kit sujetador contra el volcamiento. Usted debe instalar este Juego Sujetador entre su pared y la consola para prevenir accidentes o daños. Cuando se instala apropiadamente, este puede proteger contra caída inesperadas de la consola debido a temblores, golpes o en caso de subirse en ella. Este Juego sirve solo como un sujetador y no sustituye la supervisión por parte de un adulto. El uso de este tipo de sujetadores pueden prevenir, pero no eliminar la posibilidad de que la unidad se caiga o se incline.

Hable para re-emplazo de partes o asistencia: **1-866-942-5362**

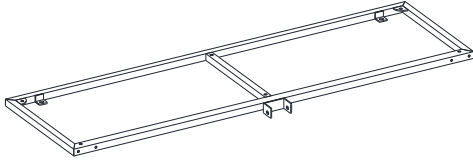
Whalen Furniture Manufacturing

Página 2

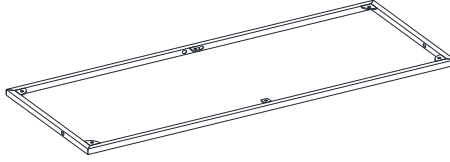
Fábrica No. 17053

## Lista de Piezas y Artículos de Ferretería

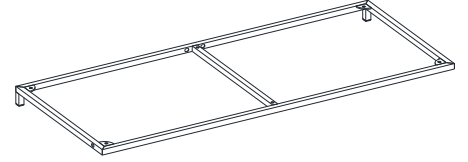
Por favor lea completamente las instrucciones y verifique que estén todas las piezas y artículo de ferretería antes de iniciar el ensamble.



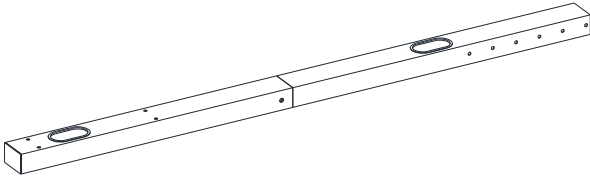
A- Repisa superior (1)



B- Repisa intermedia (1)



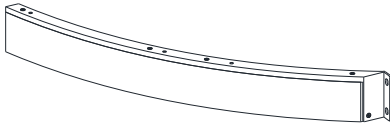
C- Repisa inferior (1)



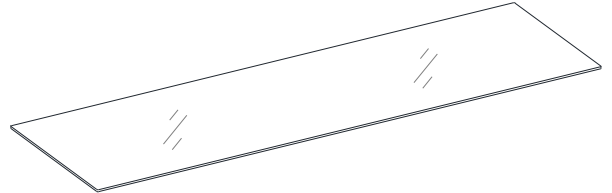
D- Ensamble de poste (1)



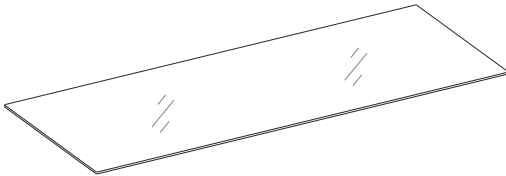
E- Pata izquierda (1)



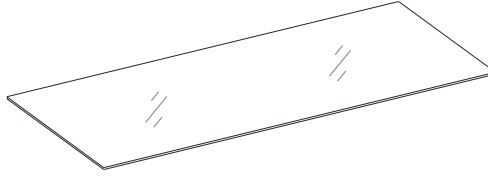
F- Pata derecha (1)



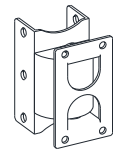
G- Vidrio superior (1)



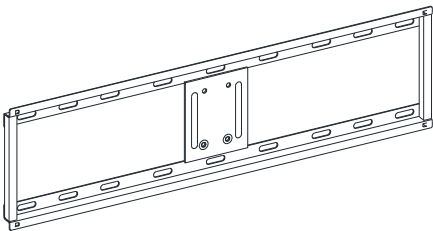
H- Vidrio intermedio (1)



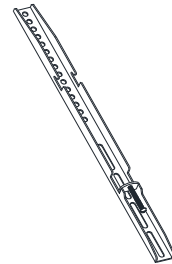
I- Vidrio inferior (1)



J- Soporte giratorio (1)



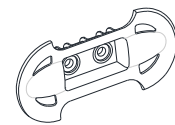
K- Marco de montaje (1)



L- Soporte de monitor (2)

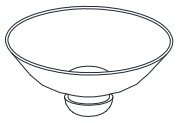


M- Soporte de repisa (2)

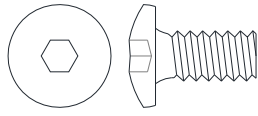


N- Guía para cable (2)

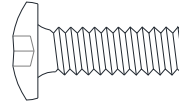
**Lista de partes y herraje**



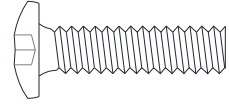
(1) Ventosa  
(18+1 extra)



(2) Tornillo de 1/2"  
(6+1 extra)



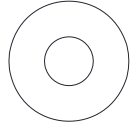
(3) Tornillo de 3/4"  
(16+1 extra)



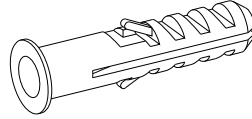
(4) Tornillo de 1"  
(8+1 extra)



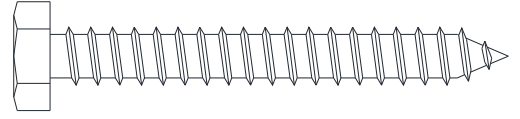
(5) Arandela presión  
(18+1 extra)



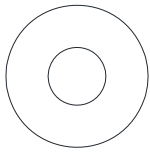
(6) Arandela plana  
(18+1 extra)



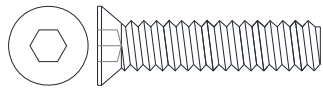
(7) Taquete p/concreto  
(4)



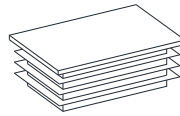
(8) Tornillo de 2-1/2"  
(4)



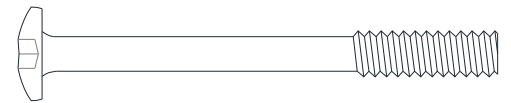
(9) Arandela grande  
(4+1 extra)



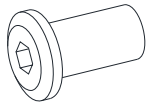
(10) Tornillo de 1-1/8"  
(2+1 extra)



(11) Tapa de poste  
(1)



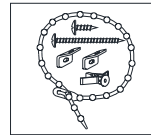
(12) Tornillo de 2-1/2"  
(1)



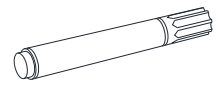
(13) Tuerca especial  
(1)



4 mm Llave Allen  
(2)

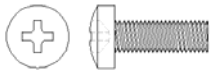


Juego de restricción de movimiento (1)  
**(Dentro bolsa plástica)**

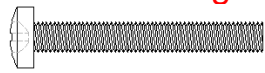


Plumón de retoque  
(1)

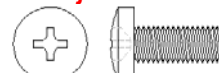
**Juego de Montaje TV**



Tornillo de 4x12 mm (4)



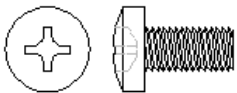
Tornillo de 4x30 mm (4)



Tornillo de 5x12 mm (4)



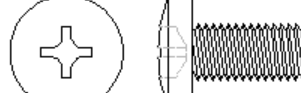
Tornillo de 5x30 mm (4)



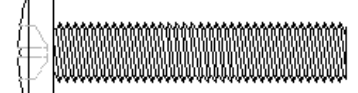
Tornillo de 6x12 mm (4)



Tornillo de 6x35 mm (4)



Tornillo de 8x16 mm (4)



Tornillo de 8x40 mm (4)



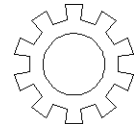
Arandela Candado de 4 mm (4)



Arandela Candado de 5 mm (4)



Arandela Candado de 6 mm (4)



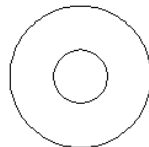
Arandela Candado de 8 mm (4)



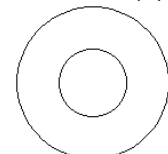
Espaciador Largo (4)



Espaciador Corto (4)



Arandela Plana de 4/5 mm (8)

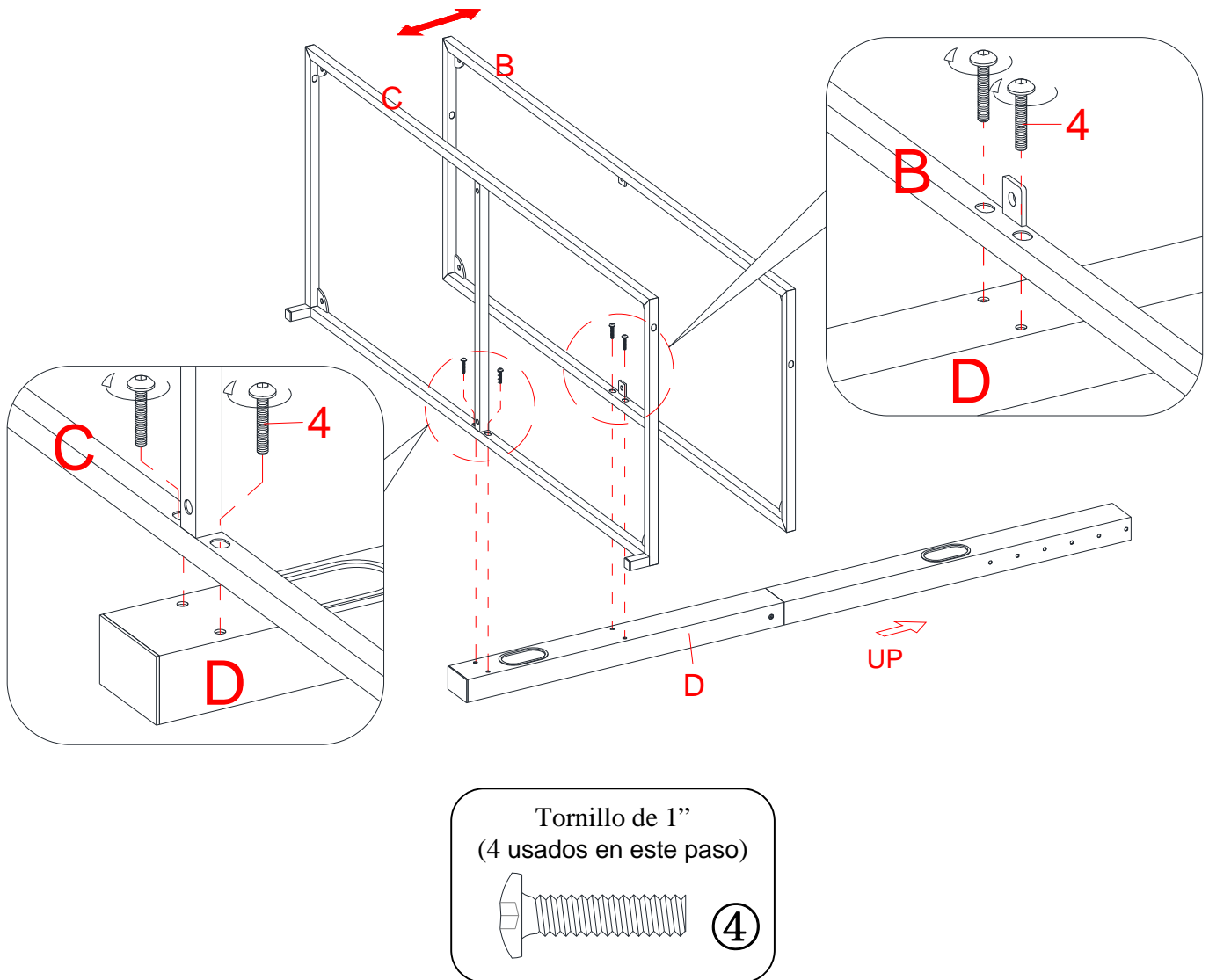


Arandela Plana de 6/8 mm (4)

**Herramienta requerida: Llave Allen (proveida) y destornillador estrella (no incluido).**

**Hable para re-emplazo de partes o asistencia: 1-866-942-5362**

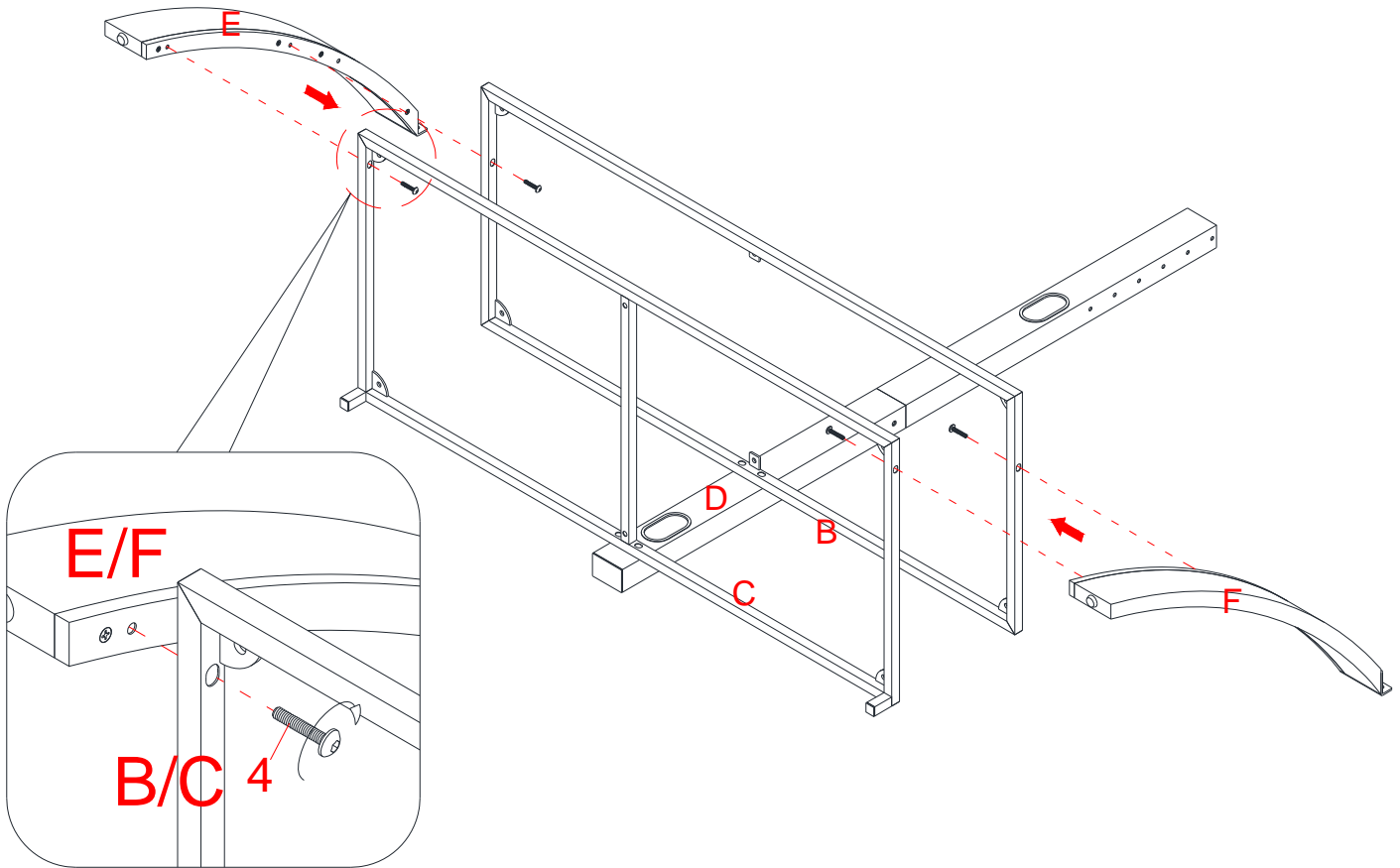
## Instructivo de ensamble



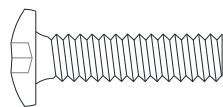
**NOTA:** Por favor no apretar todos los tornillos hasta que termine de ensamblar todas las piezas. Una vez montado, volver atrás y apretar todos los tornillos. Esto hará que el montaje sea más fácil.

1. Desempacar la unidad y confirmar que se tienen todos los artículos de ferretería y partes requeridas.
2. Localize el poste inferior (D) y colocarlo boca abajo en una área libre y area limpia, como se muestra.
3. Alinear y conectar 2 repisas inferiores (B y C) al poste con cuatro tornillos de 1" (4). Asegúrese de que las placas de esquina dentro de los marcos de la plataforma se enfrentarán cuando se enciende la unidad en posición vertical.

## Instructivo de ensamble

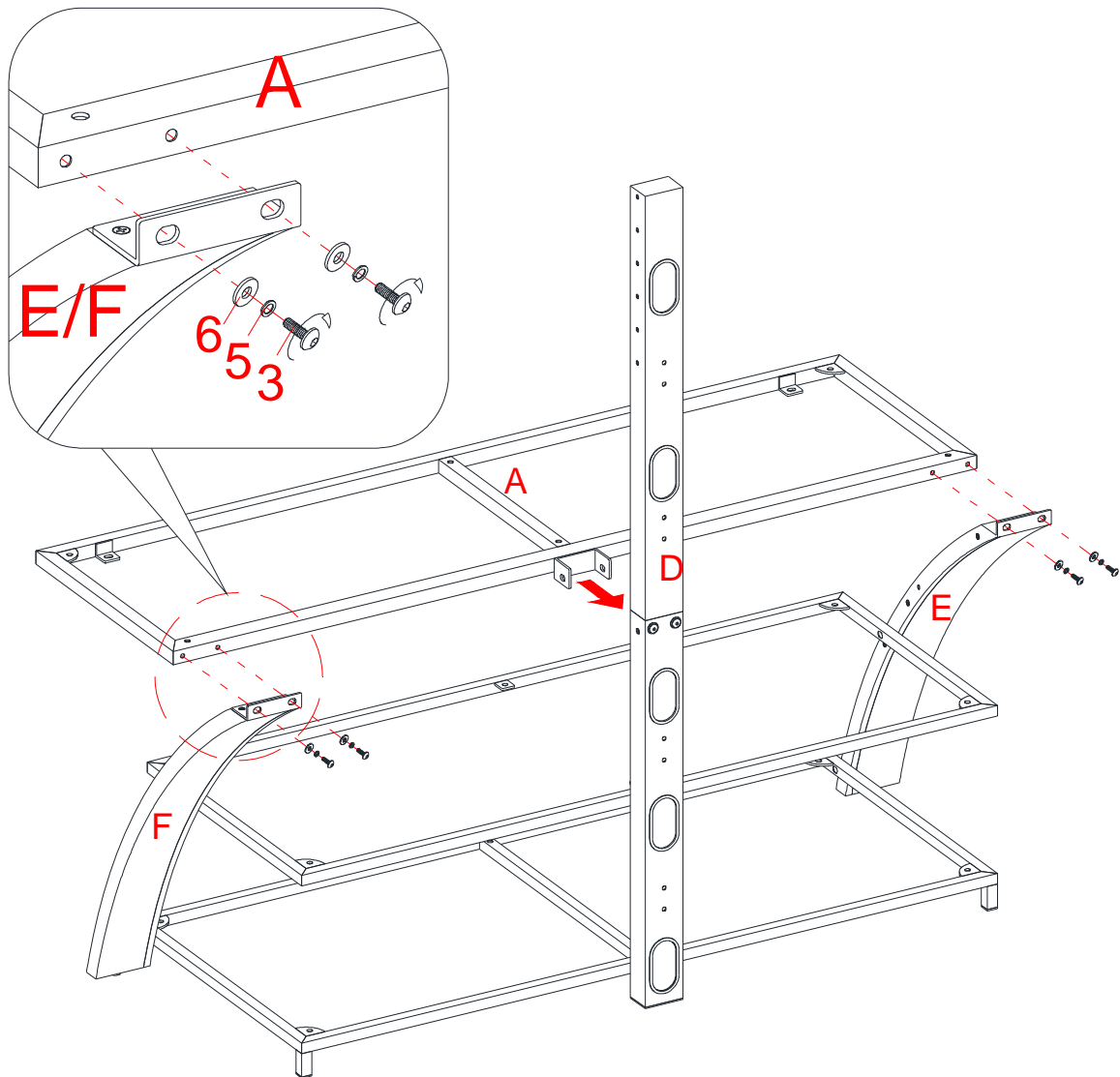


Tornillo de 1"  
(4 usados en este paso)

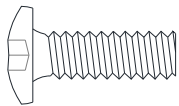


4. Alinear y colocar la pata izquierda (E) para las repisas inferiores (B y C) mediante la inserción de dos tornillos de 1" (4) desde el interior de las repisas a través de los agujeros previamente perforados en el riel lateral y fije en los insertos roscados en la pata. NO apriete los completamente los tornillos.
5. Repetir el ultimo paso con la pata derecha (F).

## Instructivo de ensamble



Tornillo de 3/4"  
(4 usados en este paso)



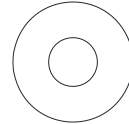
③

Arandela presión  
(4 usados en este paso)



⑤

Arandela plana  
(4 usados en este paso)



⑥

6. Poner la unidad en posición vertical.

7. Alinee y fije la repisa superior (A) para las patas (E y F) con las placas de esquina interior hacia arriba, utilizando cuatro tornillos de 3/4" (3) con las arandelas (5 y 6) a través de los soportes y los agujeros de las patas y fije en los insertos posteriores de la repisa superior (A).

Hable para re-emplazo de partes o asistencia: 1-866-942-5362

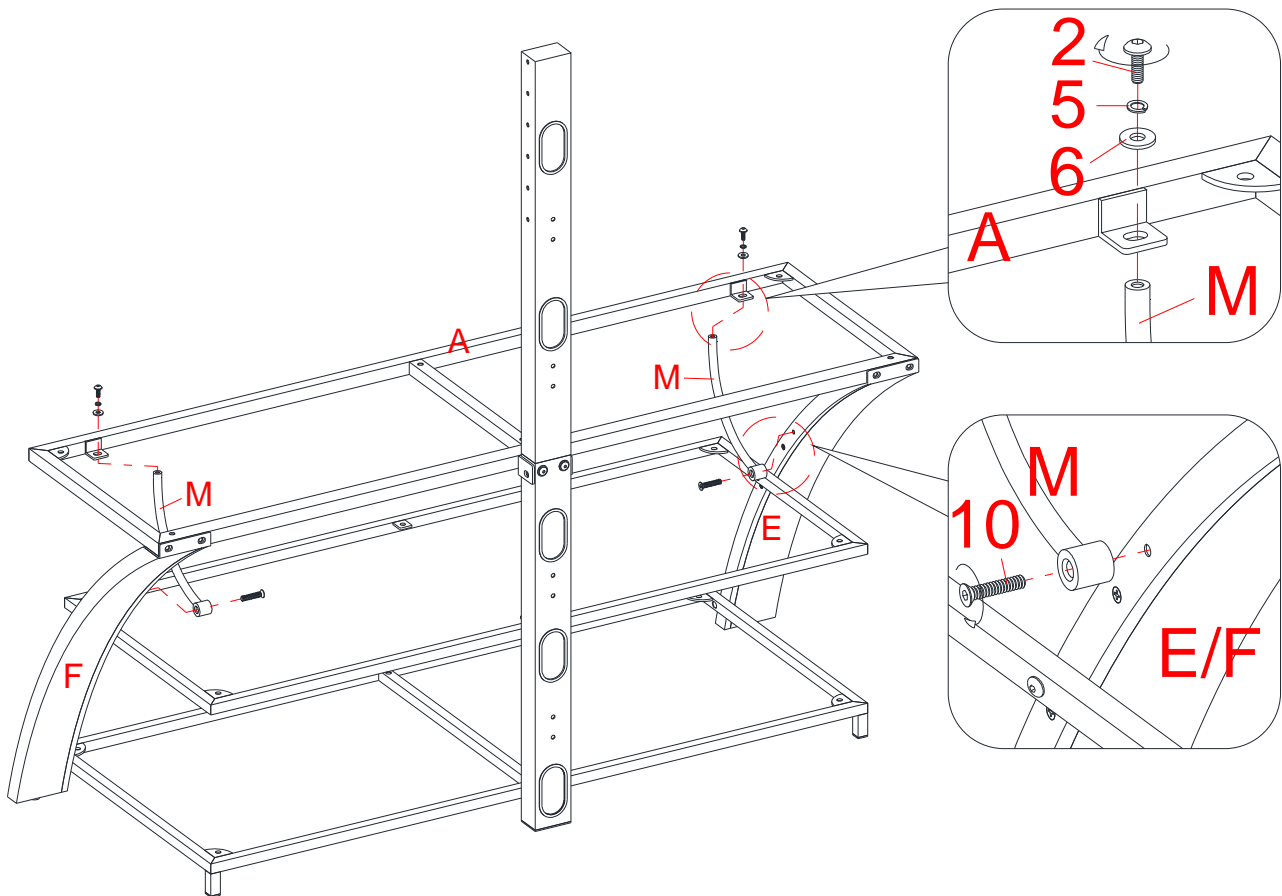
Whalen Furniture Manufacturing

Página 7

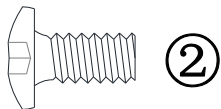
Fábrica No. 17053



## Instructivo de ensamble



Tornillo de 1/2"  
(2 usados en este paso)



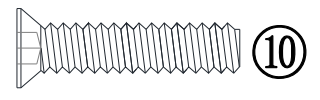
Arandela presión  
(2 usados en este paso)



Arandela plana  
(2 usados en este paso)



Tornillo de 1-1/8"  
(2 usados en este paso)



8. Alinee y conecte un soporte de la repisa superior (M) al soporte "L" en la repisa superior (A) con un tornillo de 1/2" (2) con las arandelas (5 y 6). Asegure el soporte de la repisa superior (M) a la pata izquierda (E) con los tornillos proporcionados de 1-1/8" cabeza plana (10).
9. Repita el mismo procedimiento para colocar el otro soporte superior (M) en el otro extremo.
10. Vuelva y apriete todos los tornillos con la llave Allen el proporcionada de 4 mm.

**Si escogio la configuración de consola tipo mesa, continuar al siguiente paso. Si montara su TV en el flotador giratorio, ir a la PAGINA 14.**

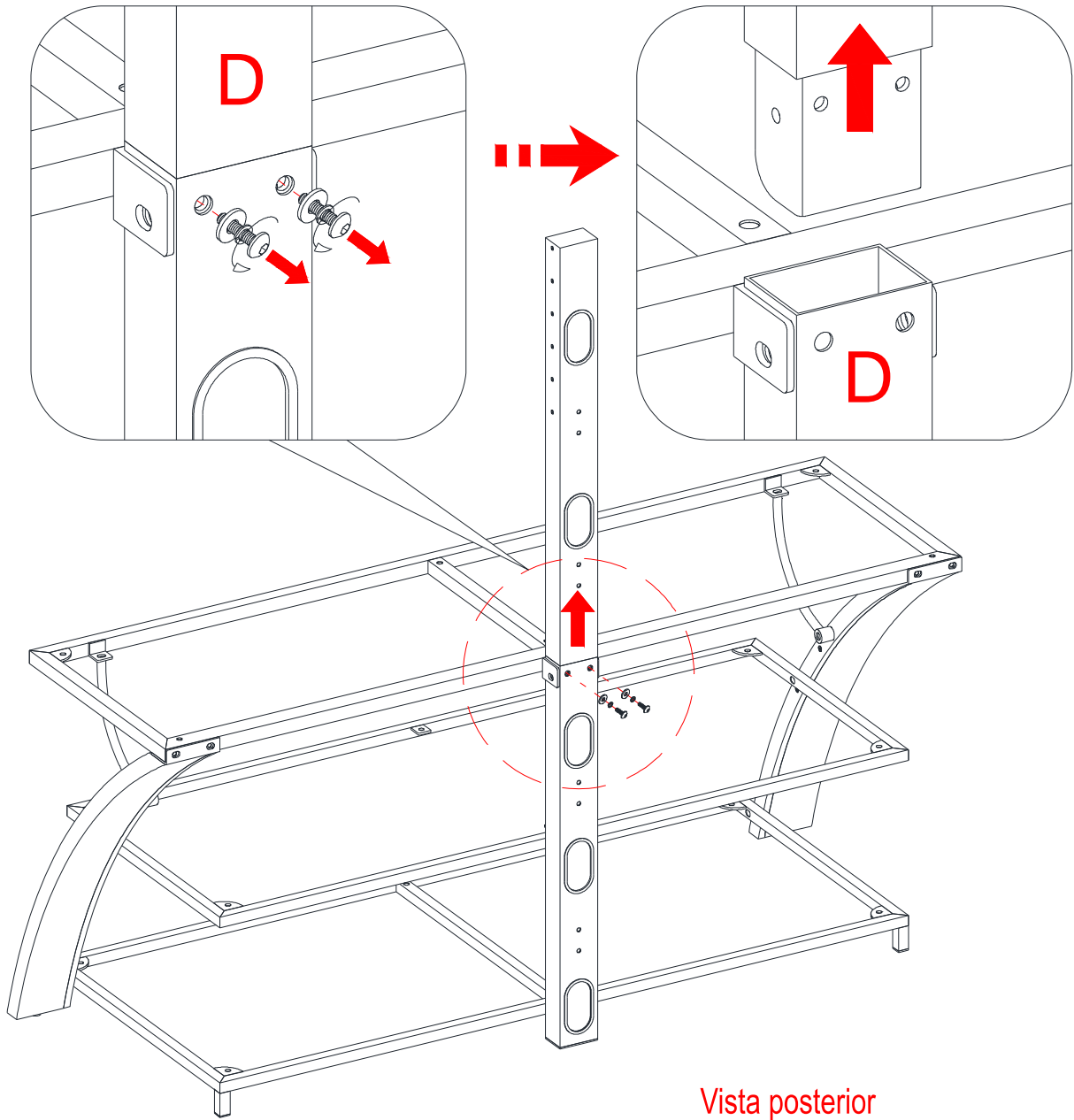
Hable para re-emplazo de partes o asistencia: 1-866-942-5362

Whalen Furniture Manufacturing

Página 8

Fábrica No. 17053

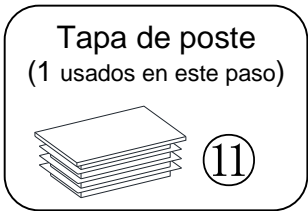
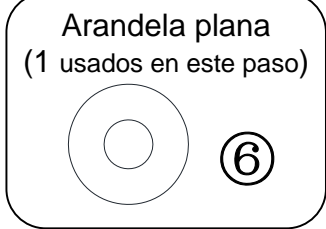
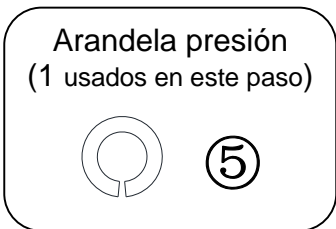
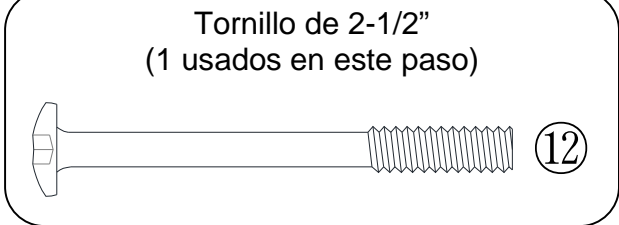
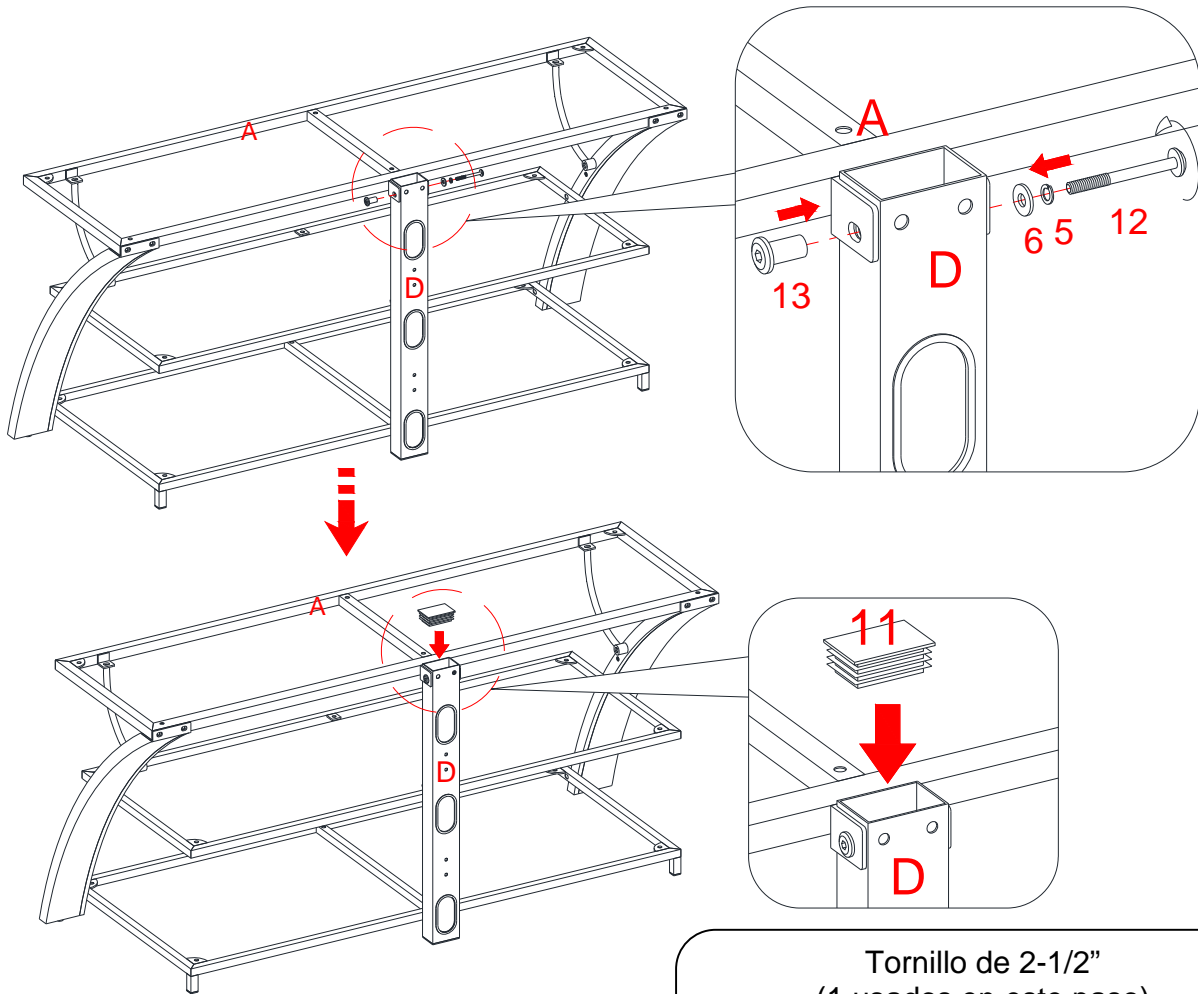
## Instructivo de ensamble para consola tipo mesa



11. En la parte de atrás del poste (D), desenroscar los dos tornillos y las arandelas y quitar la parte superior. Así que usted puede utilizar la configuración de la consola tipo mesa.

**NOTA:** Mantenga el poste superior y los elementos de fijación en un lugar adecuado en caso de que se use el montaje giratorio flotante en un futuro.

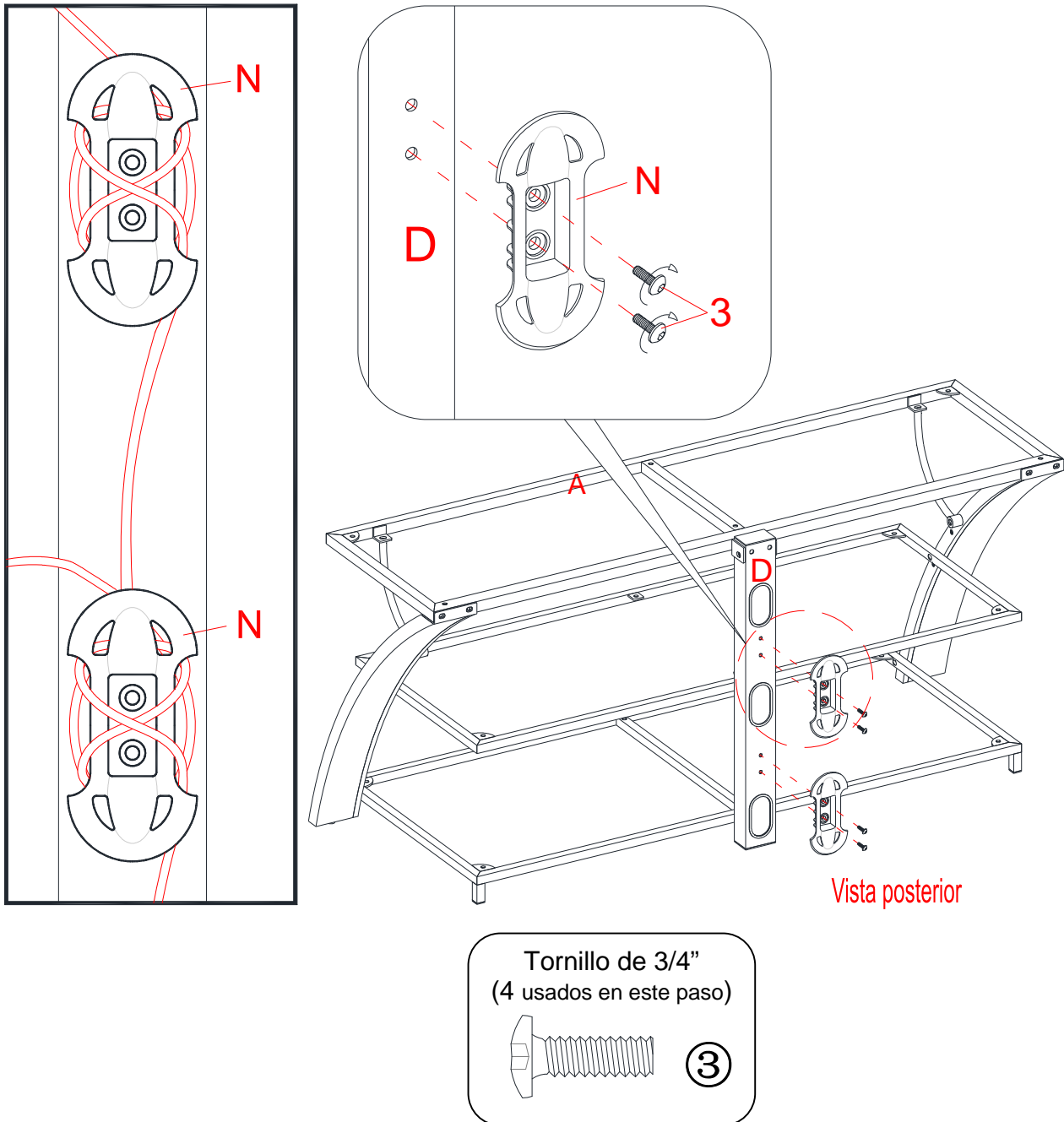
## Instructivo de ensamble para consola tipo mesa



12. Coloque la tapa de poste (11) hasta el final en la parte superior del poste inferior (D).

13. Asegure el marco de la repisa superior (A) al poste inferior (D) mediante la inserción de un tornillo de 2-1/2" (12) con las arandelas (5 y 6) a través del orificio del soporte y de forma segura fije con la tuerca especial (13).

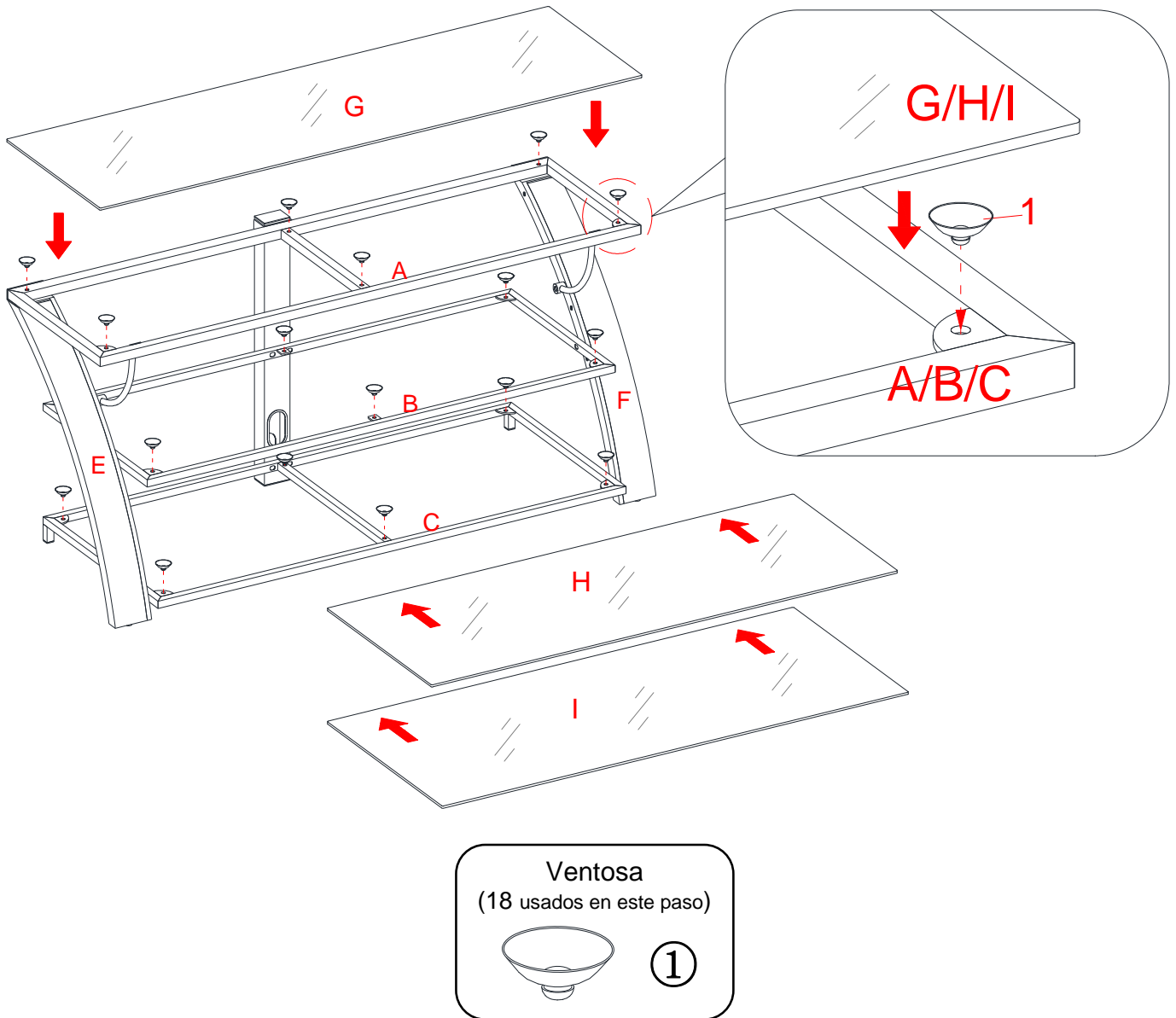
## Instructivo de ensamble para consola tipo mesa



14. Coloque 2 guías para cable (N) a la parte posterior del poste inferior (D) con los tornillos de 3/4 "(3). Apriete los tornillos con la llave Allen suministrada.

15. Las guías de cable (N) le permiten acortar, cables y cuerdas separadas y de ruta. El uso de las guías de cable, puede crear un sistema para enrutar cables a través de canales, entre los componentes y las fuentes de energía sin enmarañar o crear interferencia de la señal.

## Instructivo de ensamble para consola tipo mesa



16. Coloque las ventosas (1) firmemente en los agujeros superiores y en el interior de las 3 repisas (A, B y C), como se muestra.

**SUGERENCIA:** Si una ventosa se resiste a la inserción, intente presionar hacia abajo en la mitad de la taza con la llave Allen mientras gira hacia la derecha en el agujero.

17. Coloque el vidrio superior (G) y vidrios (H e I), comenzar con la repisa de vidrio inferior (I), como se muestra arriba. Asegúrese de que la repisa de vidrio se centra correctamente. Empuje cada vidrio hasta el fondo contra el poste. También, asegúrese de presionar hacia abajo de manera uniforme y con firmeza cada vidrio sobre las ventosas para asegurarse de que con seguridad se apoyan en las mismas.

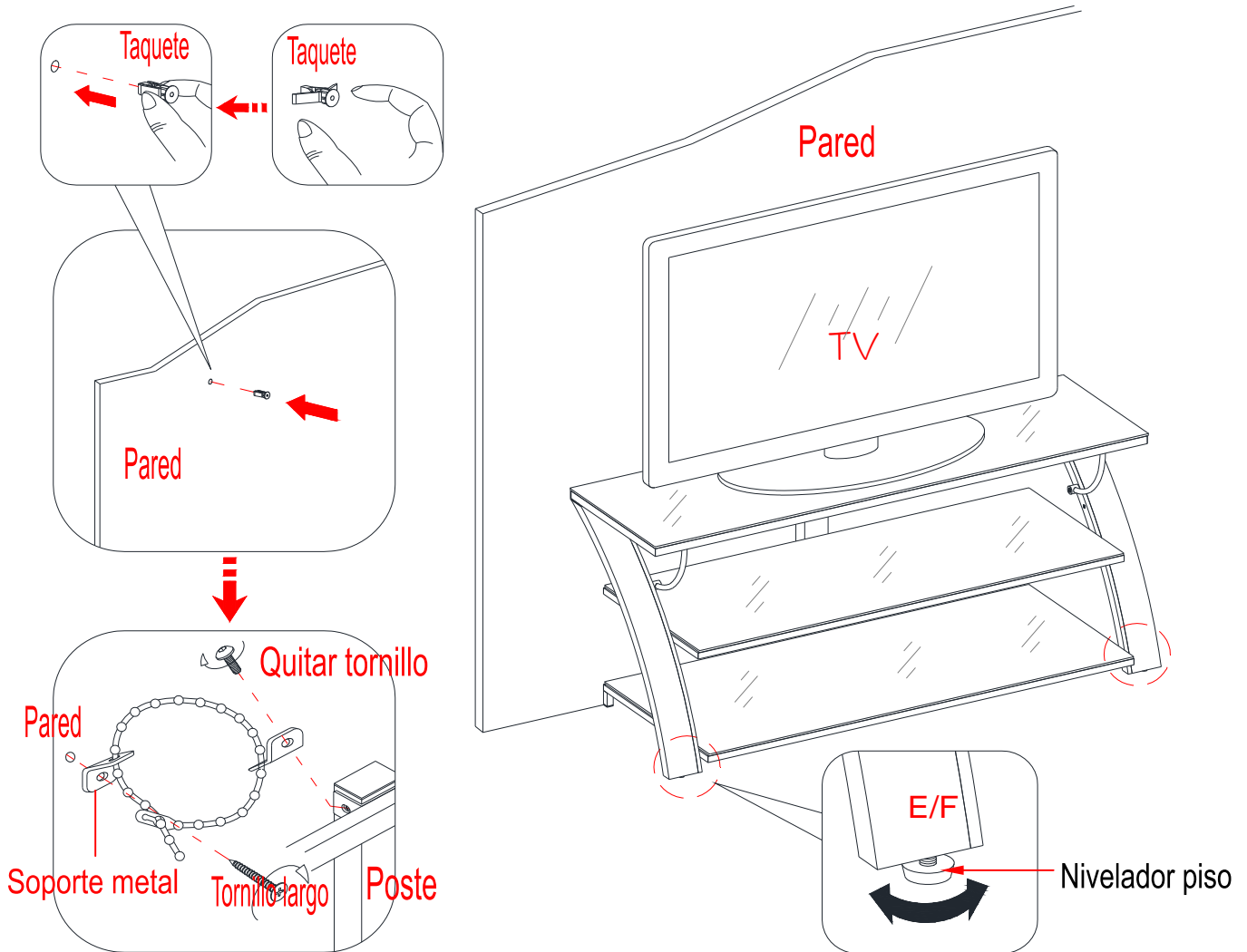
Hable para re-emplazo de partes o asistencia: 1-866-942-5362

Whalen Furniture Manufacturing

Página 12

Fábrica No. 17053

## Instructivo de ensamble para consola tipo mesa



Herramientas necesarias: Llave Allen (incluida), destornillador de estrella, mazo, taladro eléctrico y broca de 3/8" (no incluida).

18. Coloque la consola montada en la ubicación deseada contra una pared. En caso de suelo irregular, los Niveladores de Piso se proporcionan en la parte inferior de ambas patas (E y F). Simplemente incline la unidad hacia atrás y suba o baje el nivelador de piso con la mano para corregir la inclinación, como se muestra arriba.

**NOTA:** DEBE USAR ESTE SISTEMA DE SEGURIDAD PARA COLOCAR LA UNIDAD A LA PARED, PARA EVITAR QUE SE VUELCO LA UNIDAD, CAUSANDO ACCIDENTES Y/O LESIONES.

19. Ahora, siga las instrucciones impresas en la bolsa de plástico que contiene el juego de restricción de movimiento para unir el poste de la unidad y a la pared.

20. La consola está ahora lista para su uso. Asegúrese de colocar el televisor de pantalla plana en el centro de la consola.

**NOTA:** Si elige la configuración de soporte en pared, proceder a PÁGINA 21.

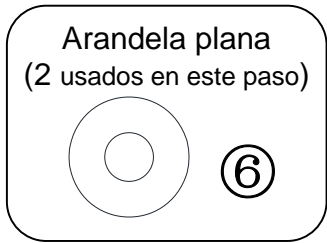
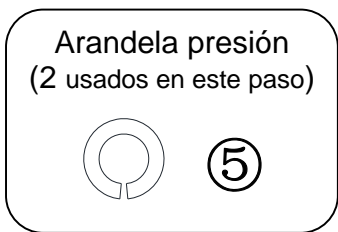
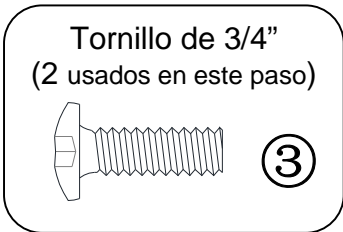
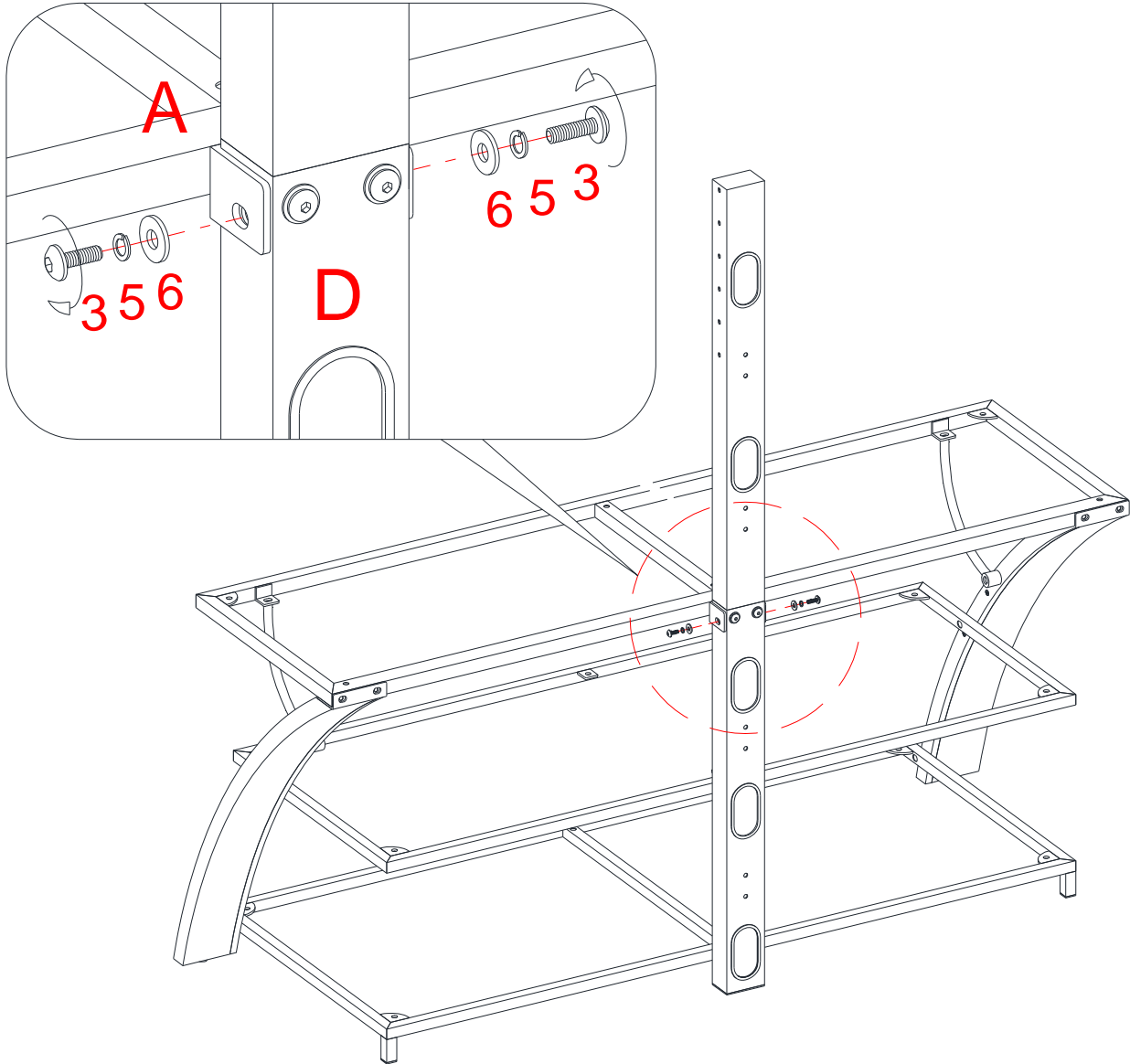
Hable para reemplazo de partes o asistencia: 1-866-942-5362

Whalen Furniture Manufacturing

Página 13

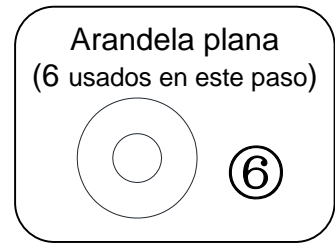
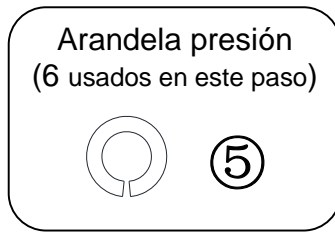
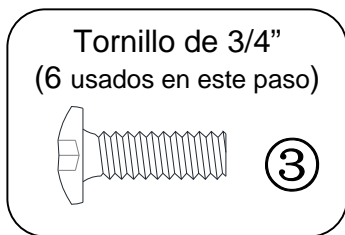
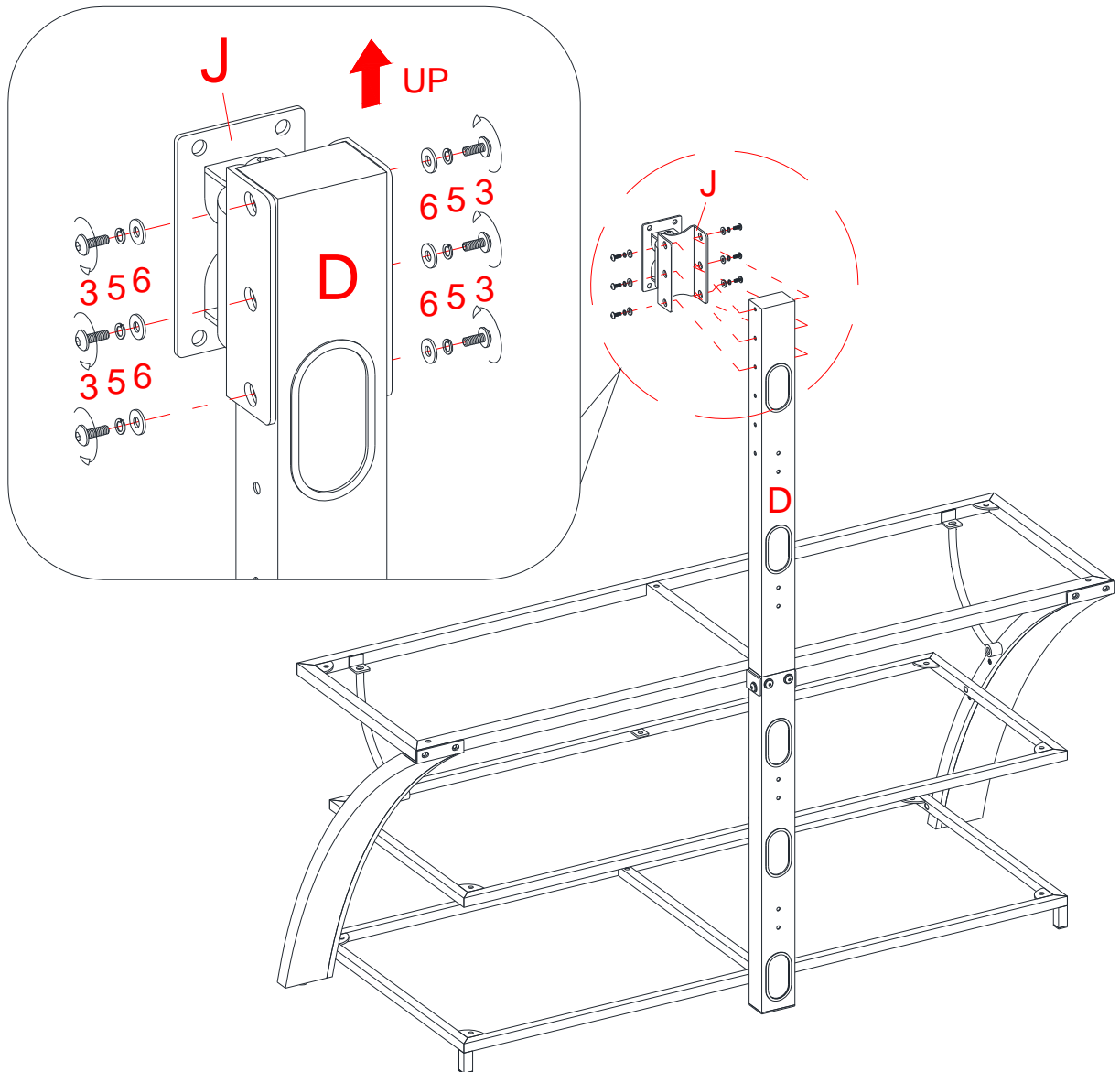
Fábrica No. 17053

## Instrucciones de ensamblaje para Montaje flotador giratorio



21. Asegure el la repisa superior (A) al ensamble del poste (D) mediante el uso de dos tornillos de 3/4" (3) y dos arandelas (5 y 6), como se muestra arriba.

Instructivo de ensamble con soporte giratorio

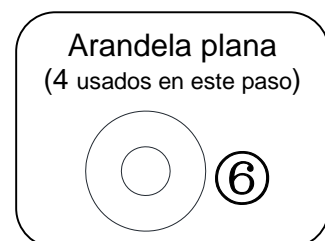
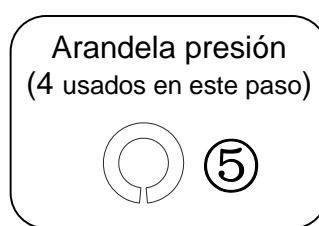
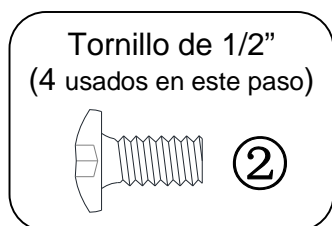
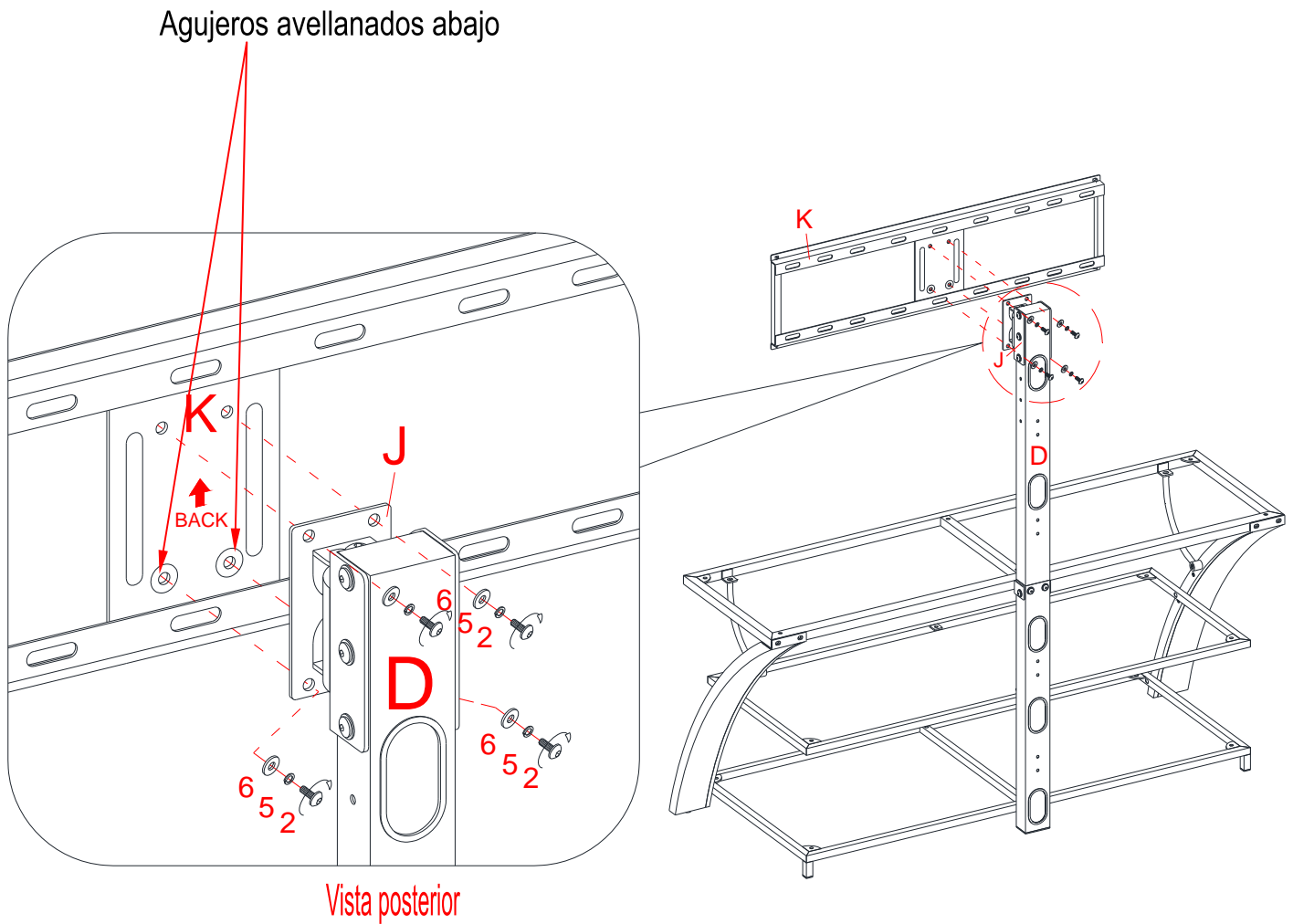


22. Fije el soporte giratorio (J) a la parte superior del poste superior (D) con seis tornillos de 3/4" (3) y seis arandelas (5 y 6). Apriete los tornillos con la llave Allen.

**NOTA:** El poste puede ofrecer cuatro opciones de altura de su televisor. Consulte a su tamaño TV y ajuste el soporte giratorio a la altura deseada para una visualización óptima.

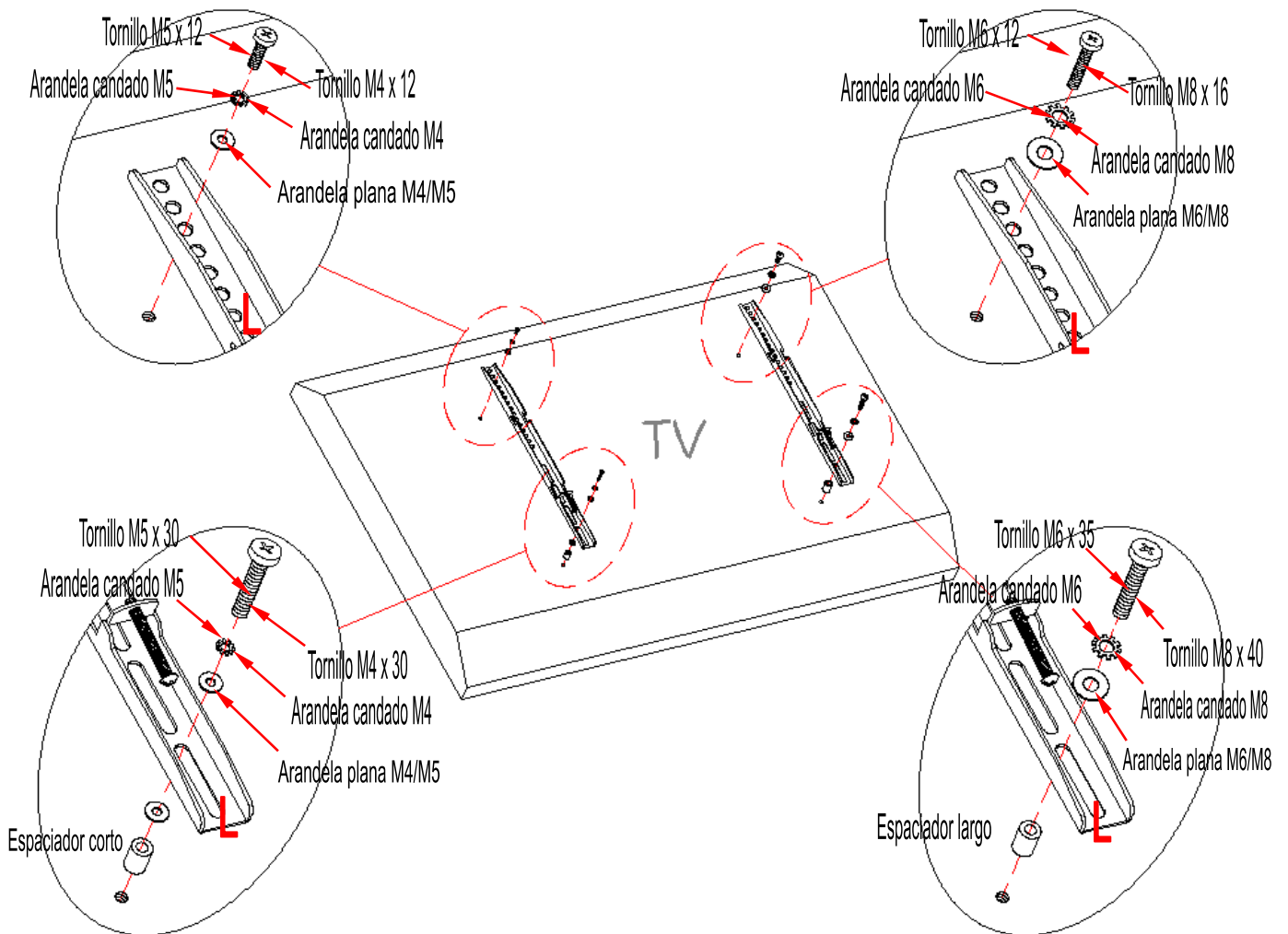


## Instructivo de ensamble con soporte giratorio



23. Mantenga y coloque el lado plano del marco de montaje (K) en el soporte giratorio (J) utilizando cuatro tornillos de 1/2" (2) y cuatro arandelas (5 y 6). Asegúrese de que los orificios avellanados del marco están en la parte inferior.

## Para montar el Marco en Televisiones con Respaldo Plano



**NOTA:** Para Televisiones con Respaldos Curvos o desnivel Proceda directamente a la siguiente página.

24. Determine el diámetro correcto de tornillos que utilizará en su Televisión atornillando con sus manos para asegurar que entren bien, si encuentra Resistencia deténganse inmediatamente. Si no encuentra el tornillo adecuado diríjase a su tienda de ferretería local para el mismo.
25. Cuando determine el diámetro correcto del tornillo a utilizar, siga el diagrama apropiado de arriba, asegure el tornillo corto y arandelas junto con el soporte del monitor (L), en las inserciones roscadas que están en la parte superior de la Televisión. Como se muestra en el detalle.

**NOTA:** Recargue la TV contra la pared u otra parte sólida cuando asegure los Soporte del Monitor. POR NINGUNA RAZÓN coloque la Televisión boca abajo en el piso, esto puede producir un daño permanente.

NOTA: Si montará su TV a la pared, continúe al PAGINA 21 una vez que se complete su instalación de los soportes de monitor.

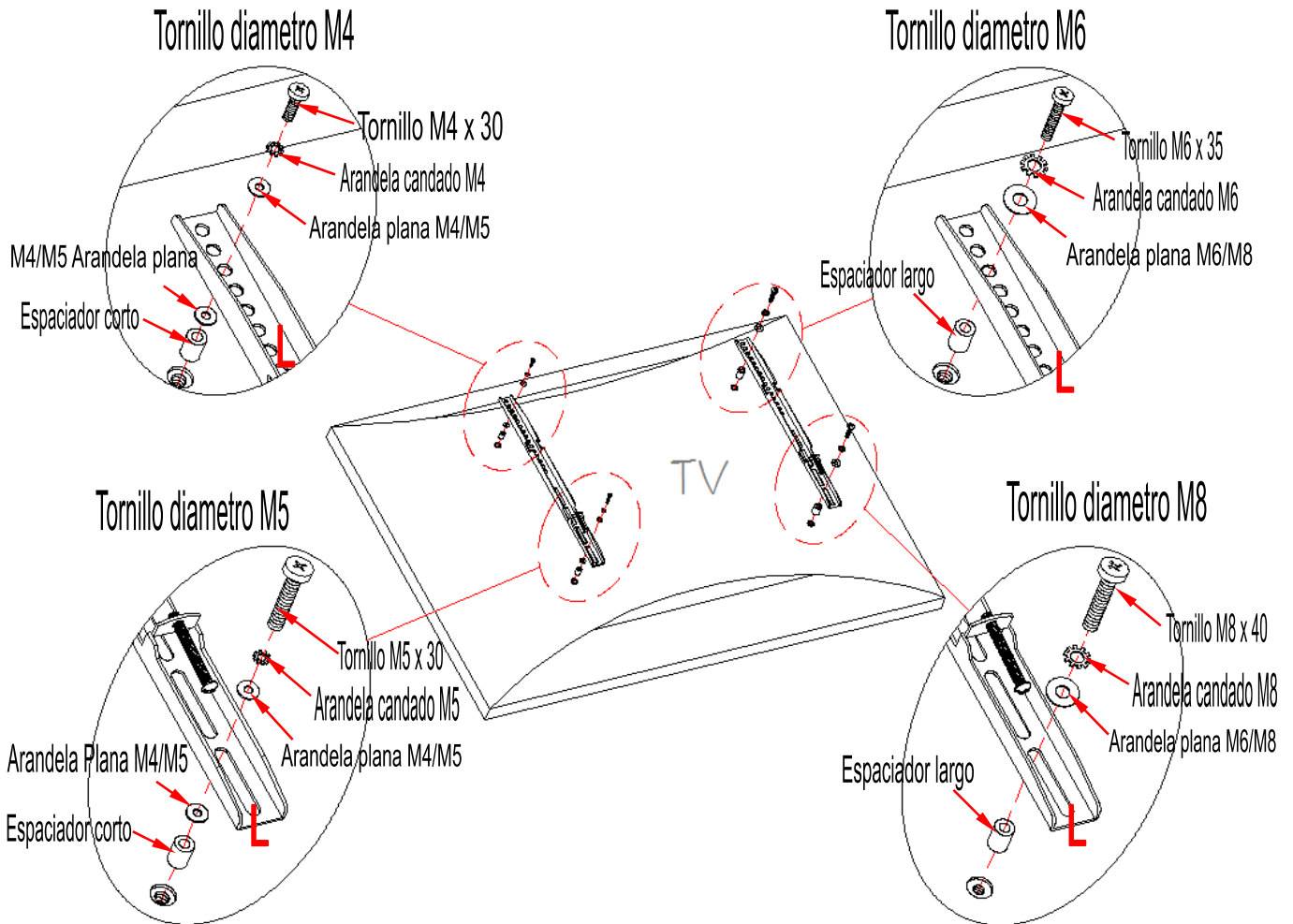
Hable para re-emplazo de partes o asistencia: 1-866-942-5362

Whalen Furniture Manufacturing

Página 17

Fábrica No. 17053

## Para montar el Marco en Televisiones con respaldo curvo /desnivel



26. Determine el diámetro correcto de tornillos que utilizará en su televisión atornillando con sus manos para asegurar que entren bien, si encuentra resistencia detengase inmediatamente. Si no encuentra el tornillo adecuado dirígase a su tienda de ferretería local para el mismo.

27. Cuando determine el diámetro correcto del tornillo a utilizar, siga el diagrama apropiado de arriba, asegure el tornillo corto y arandelas junto con el soporte del monitor (L), en las inserciones roscadas que están en la parte superior de la Televisión. Como se muestra en el detalle.

**NOTA:** Recargue la TV contra la pared u otra parte sólida cuando asegure los soportes del monitor. POR NINGUNA RAZÓN coloque la Televisión boca abajo en el piso, esto puede producir un daño permanente.

NOTA: Si montará su TV a la pared, continúe al PAGINA 21 una vez que se complete su instalación de los soportes de monitor.

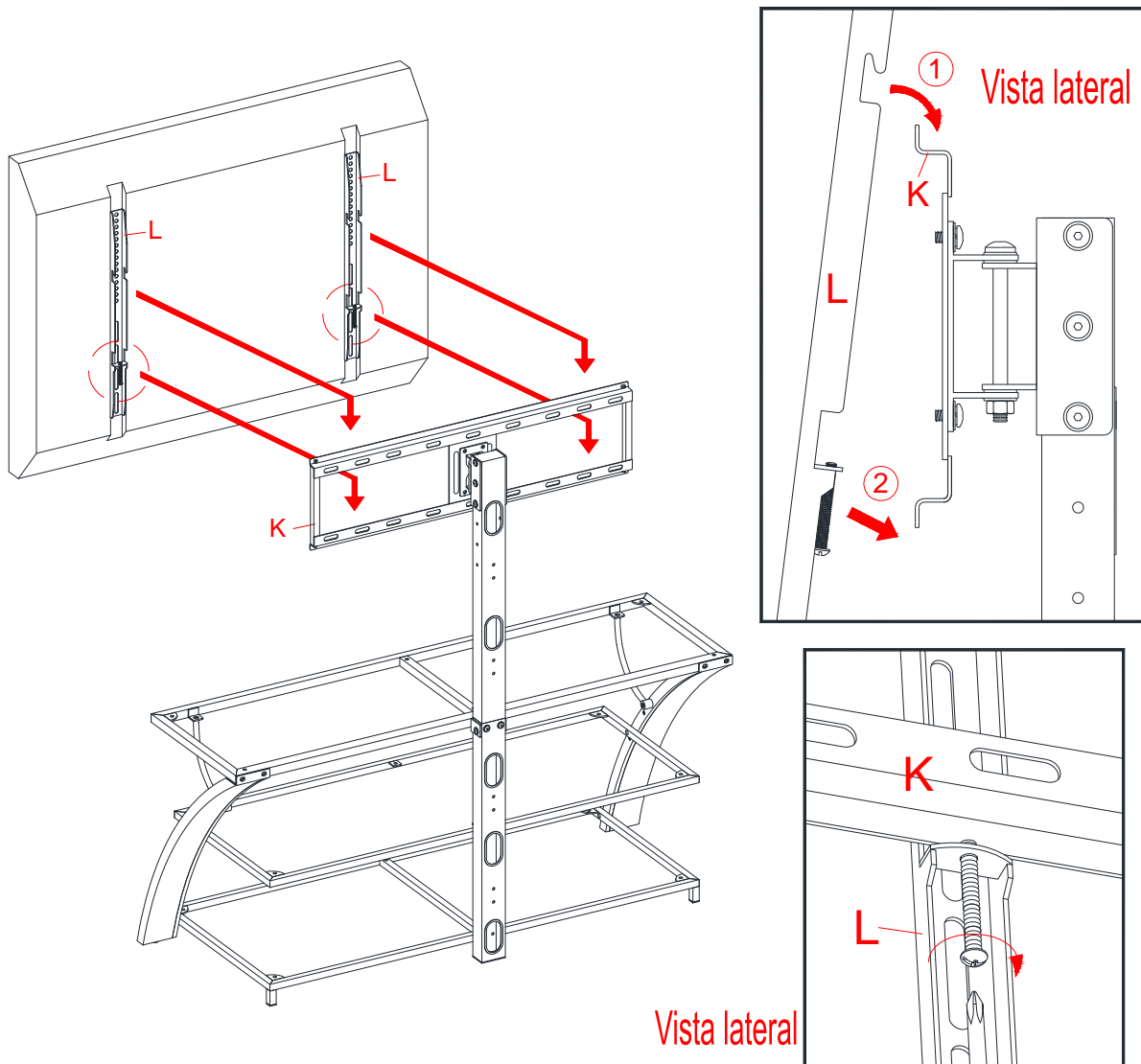
Hable para re-emplazo de partes o asistencia: 1-866-942-5362

Whalen Furniture Manufacturing

Página 18

Fábrica No. 17053

## Instructivo de ensamble con soporte giratorio



**ASEGÚRESE QUE LOS TORNILLOS ESTEN FIRMES Y ESTAN EN UN ANGULO DE 90 GRADOS Y NIVELADOS PARA VERIFICAR EL MARCO DE MONTAJE ESTA AL NIVEL PREVIO A LA INSTALACIÓN DE LA TV.**

28. Pida ayuda para levantar la TV y colgar los soportes de monitor (L) en el marco de montaje (K). Poner los ganchos del soporte sobre el marco y luego poner sobre las barras del marco.

**NOTA:** Aflojar los tornillos seguro que esta pre-ensamblado en los soportes de monitor, para que entren los soportes sin problema dentro del marco.

29. Centrar la television y apretar los tornillos de seguridad de los soportes del monitor, con un desarmador largo estrella hasta tocar la parte interna del marco (K) y fijar en su lugar.

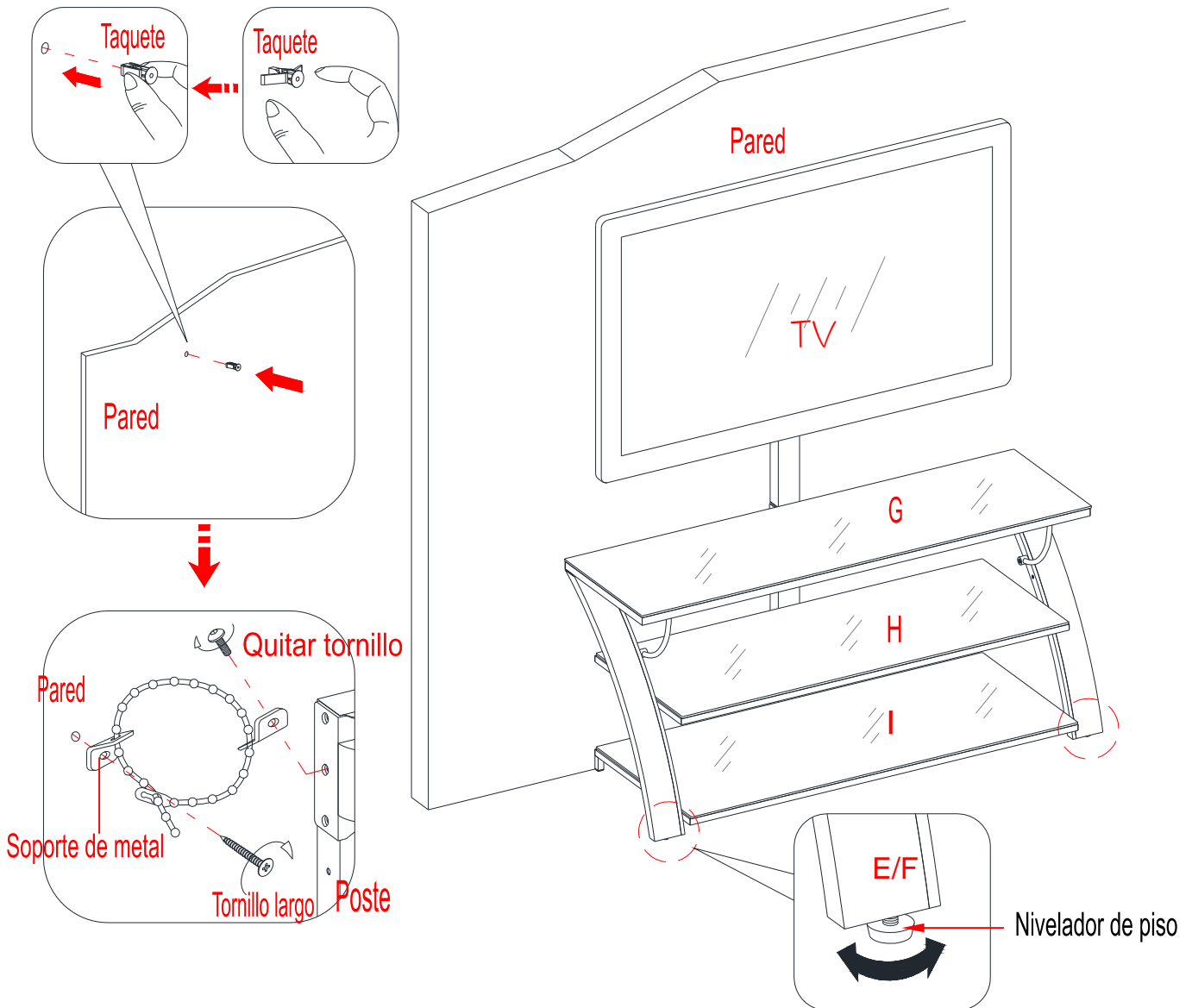
Hable para re-emplazo de partes o asistencia: 1-866-942-5362

Whalen Furniture Manufacturing

Página 19

Fábrica No. 17053

## Instructivo de ensamble



**Herramienta Requerida:** Llave Allen (provista), desarmador estrella, mazo, taladro, broca de 3/8" (9,5 mm).

**30. Repetir pasos 14 a 17 para asegurar las guías para cable (N) al poste e instalar los vidrios (G, H y I) en su lugar.**

31. Cuidadosamente mueva la consola y colócala en la posición deseada contra la pared. Si es necesario, ajuste los niveladores de piso pre-conectados en la parte inferior de las patas para nivelar la unidad. Ahora, siga las instrucciones impresas en la bolsa de plástico con el juego de herraje de restricción para montar el sistema de seguridad al poste (D) y la pared.

**NOTA:** Debe instalar el herraje de restricción de movimiento con la unidad en uso para evitar cualquier accidente o daño a la unidad.

32. La consola ya está lista para su uso. Gírela de izquierda o derecha para el control de visualización óptima.

Hable para reemplazo de partes o asistencia: 1-866-942-5362

Whalen Furniture Manufacturing

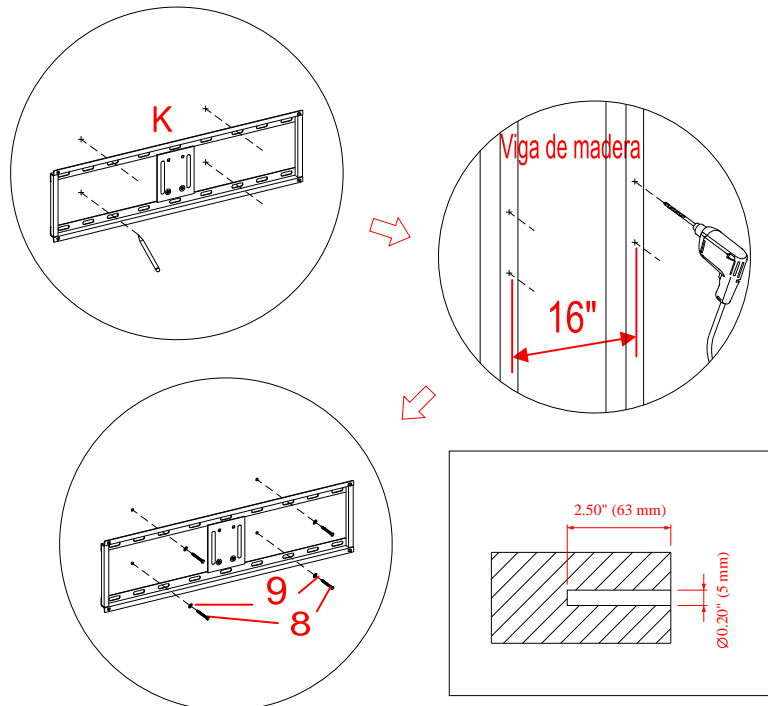
Página 20

Fábrica No. 17053

**ALTO**

Los pasos siguientes son solo para en caso de querer montar su TV en la pared. Si ya monto su TV en el Marco Giratorio o planea poner su TV directamente sobre la consola, no tomar en cuenta los pasos siguientes.

### Instructivo de Ensamble para Marco de Montaje Universal Instalando el Marco a una pared de Madera



**NOTA:** Si esta montando esta TV a una pared con ladrillo, concreto o bloque de concreto, no continúe en esta sección. Este ensamblaje requiere un taladro eléctrico, nivelador y un localizador de barros (no incluidos).

33. Usar un buscador de barros, para localizar los bordes de las vigas de madera. Buscar la línea central de cada barrote y trazar una línea vertical de referencia en la pared sobre cada uno de ellos. Coloque el marco de montaje (K) y el nivel contra la pared donde va a montar el televisor. utilizando el marco de montaje (K) como plantilla, marque cuatro puntos de los orificios (2 arriba, 2 en la parte inferior) con un lápiz en la línea vertical de referencia, que acaba de dibujar.
34. Con un taladro eléctrico (no incluido) taladre unos agujeros de 3/16" de diámetro de por lo menos 2 ½ pulgada de profundidad en los cuatro puntos de perforación. Mientras se mantiene la placa de soporte en su lugar, sin apretar el tornillo largo (8).
35. Asegurar el marco de montaje (K) a la pared con los tornillos largos (8) y arandelas (9) en los puntos de perforación. Apriete los tornillos con firmeza, pero tenga cuidado de no apretar en exceso.

**ADVERTENCIA**

No apriete los tornillos demasiado. Apriete solo hasta donde la arandela esté presionada completamente hacia el marco y el tornillo. Si hay alguna capa de hoja de yeso o otro material, este puede que no sea mayor a 5/8" de grueso.

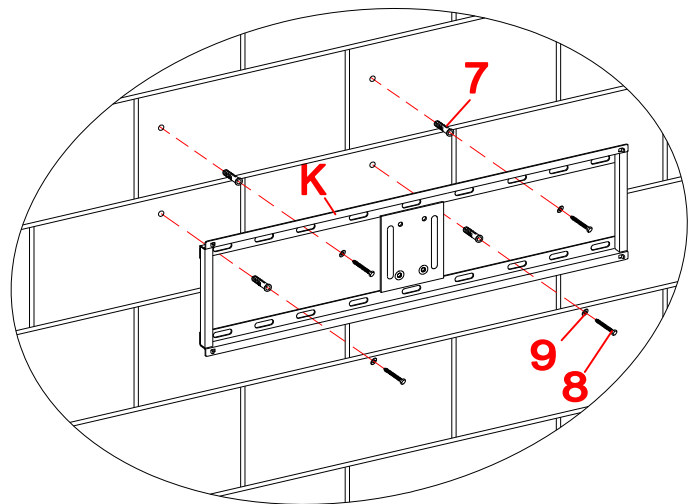
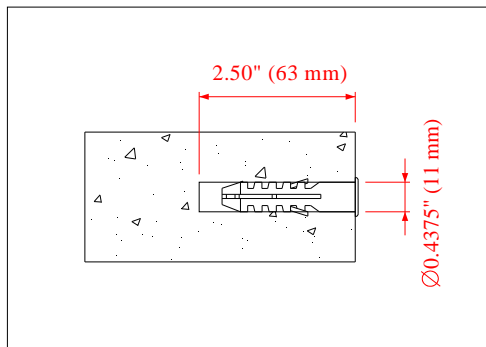
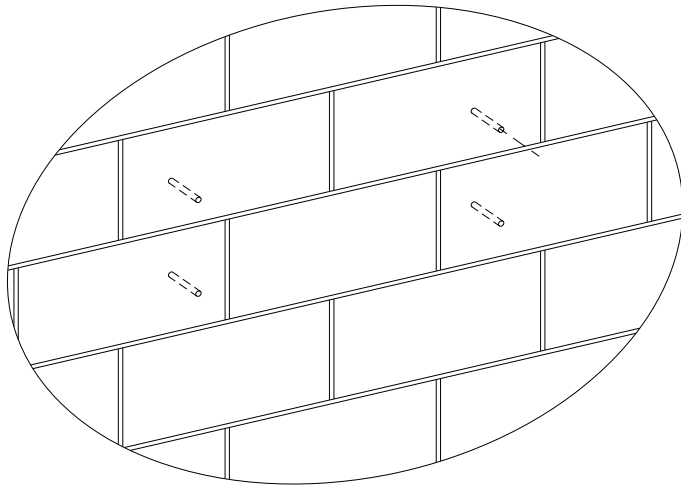
Hable para re-emplazo de partes o asistencia: 1-866-942-5362

Whalen Furniture Manufacturing

Página 21

Fábrica No. 17053

## Instructivo de Ensamble de marco de montaje para ladrillo, concreto o bloque de concreto



**⚠ PELIGRO** Máxima carga 135 lb (61, 2 kg)

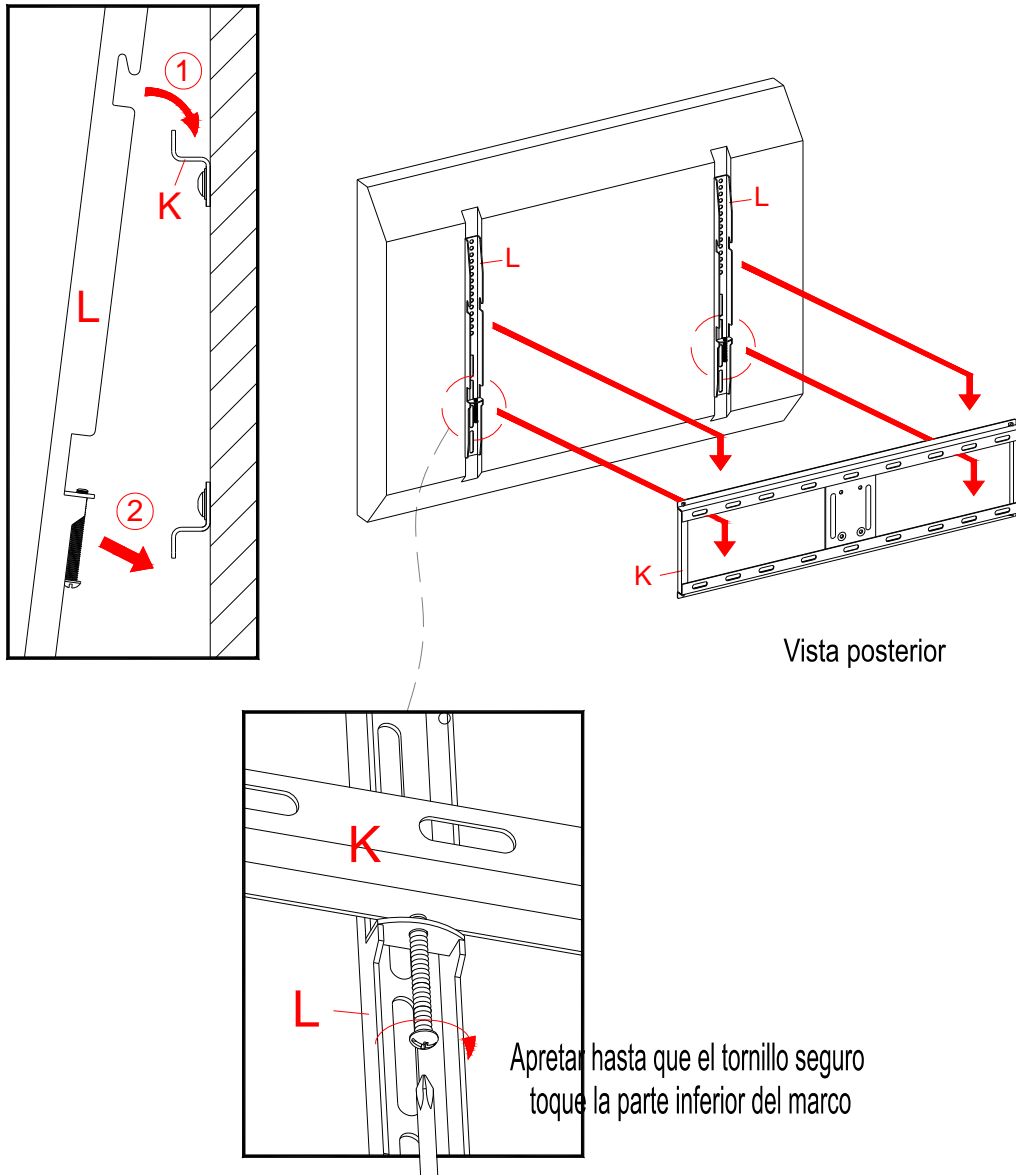
**⚠ ADVERTENCIA** Taquetes para concreto deben ser utilizadas únicamente para concreto NUNCA en tabla roca.

**NOTA:** Si esta montando esta TV a una pared con barrotes de madera, no continúe en esta sección. Este ensamblaje requiere un taladro eléctrico y un nivel de gota (no incluidos).

36. Empiece por colocar el marco de montaje (K) contra la pared donde usted quiera montarlo. Usando el soporte ancho para televisor como base, marque con lápiz 4 puntos para taladrar.
37. Con un taladro eléctrico (el cual no está incluido) en su menor fuerza de ajuste, taladre agujeros de 7/16" (11 mm) de diámetro a por lo menos 6,35 cm de profundidad. Inserte los taquete para concreto (7) en los agujeros taladrados anteriormente hasta que estén al ras con la pared.
38. Coloque el marco de montaje (K) en la posición que desee contra la pared. Asegúrelo a la pared con los seis tornillos (8) y arandelas (9) en los puntos de taladro. Ajuste los tornillos firmemente, pero tenga cuidado de no ajustar demasiado.

Hable para re-emplazo de partes o asistencia: 1-866-942-5362

## Instructivo de ensamble



39. Fije los soportes de monitor (L) a la parte trasera del televisor siguiendo los pasos 24 y 25, o 26 y 27, dependiendo del tipo de TV que usted posee
40. Pida ayuda para levantar la televisión hasta adjuntar los soportes de monitor (L) en el marco de montaje (K). Ajuste los ganchos en los soportes de monitor (L) sobre el bastidor de montaje (K) y luego bajarlos a las barras del bastidor de montaje. Enseguida centrar la televisión. Cuando el televisor está en su posición deseada, apriete los dos tornillos de la cerradura con un destornillador largo hasta que lleguen debajo del marco de montaje (K) para asegurarse de que su TV esta segura en la pared.
41. Coloque la consola bajo el televisor. Por último, conecte los cables A/V y los cables de alimentación al televisor. Ya está listo para disfrutar de su montaje en pared de pantalla plana de TV.

Hable para re-emplazo de partes o asistencia: 1-866-942-5362



## Mantenimiento y Cuidados

- Use una toalla suave y limpia para evitar daños y rayaduras.
- Uso de cera para pulir muebles no es necesario. Si desea usar cera cheque en una area que no sea visible para checar su funcionamiento.
- Usar solventes de cualquier tipo puede dañar el terminado del mueble.
- Nunca use agua para limpiar la unidad, ya que le puede dañar el terminado.
- Siempre utilice protección para vasos cuando ponga sobre la unidad.
- Líquidos derramados deben limpiarse inmediatamente, con una toalla suave evitando tallar.
- Siempre utilizar protectores en caso de poner cosas calientes. El calor puede provocar una reacción química en el terminado y dañarlo.
- Manchas o marcas de crayones serán difíciles de remover.
- En caso que su unidad sea manchada durante el uso le recomendamos hablar a un profesional para que le ayude.
- Checar pernos / tornillos periódicamente y apretar en caso necesario.

## Más recomendaciones para el cuidado de su Mueble

Es lo mejor mantener la unidad en una area de clima controlado. Temperatura extrema y cambios de humedad pueden causar cambios como partes pandas, molduras que se contraigan o que la madera se raje. Es recomendable mantener la unidad lejos del sol directo ya que puede dañar el terminado.

Cuidados adecuados y limpieza pueden extender la vida útil de su unidad. Siga estas recomendaciones y mantendrá su mueble en buenas condiciones de uso por muchos años.

**Un Plumón se incluyó para reparar cualquier pequeño daño que pueda ocurrir durante el ensamble o el envío.**

Esperamos que disfrute este producto por muchos años.  
¡Gracias por su compra!

## GARANTIA DE CALIDAD

Nosotros estamos seguros que Usted se encontrará feliz con la compra de este producto.

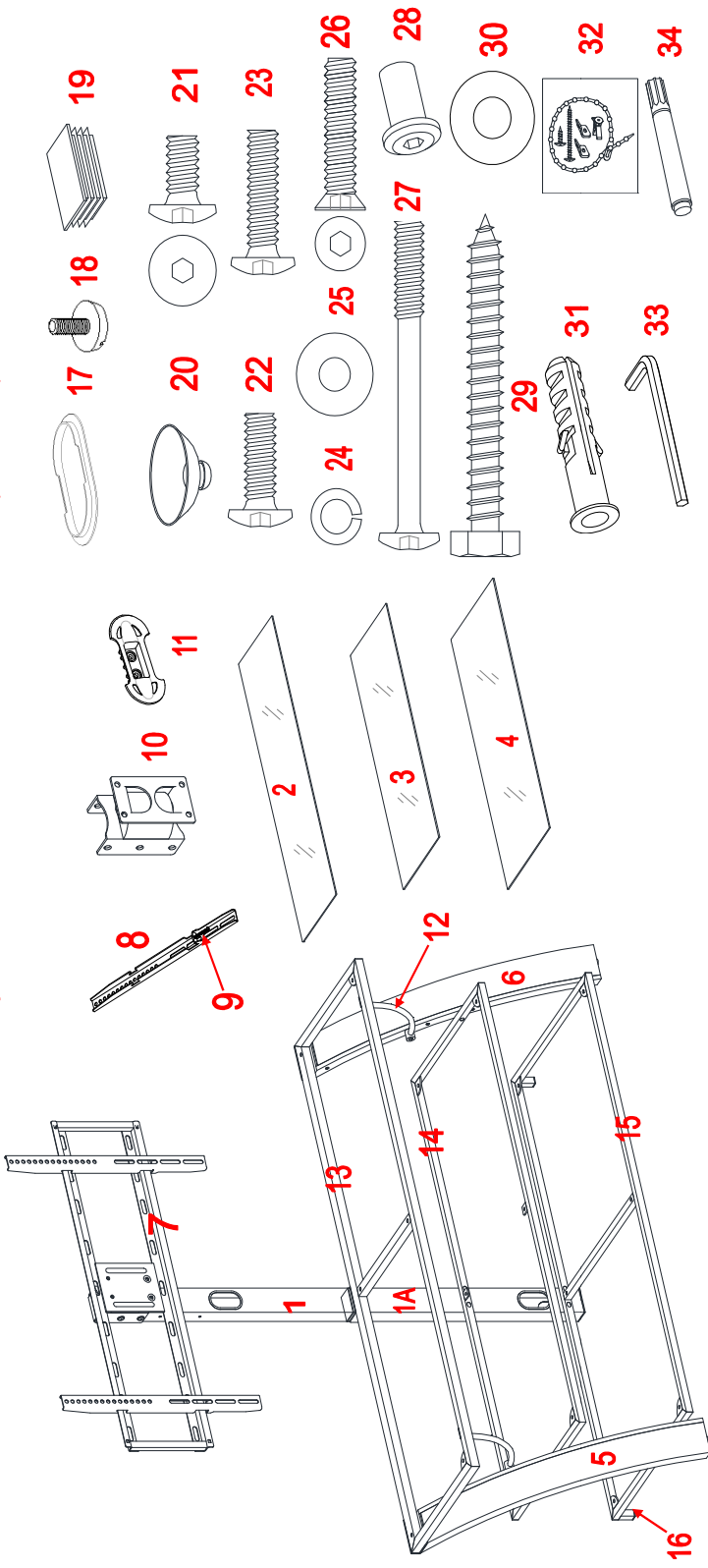
Si este producto tiene algún defecto de ensamblado o material o si tiene alguna falla en uso normal, Nosotros lo repararemos o lo re-emplazaremos hasta por un año a partir de la fecha de compra. Todo producto de Whalen Furniture es diseñado para alcanzar sus expectativas más altas. Nosotros le garantizamos que inmediatamente podrá ver el valor de nuestra mercancía de la más alta calidad. Esta garantía le proporciona derechos legales específicos y tal vez tenga otros derechos que varían de Estado a Estado.

Servicio al Cliente: 1-866-942-5362  
8:30 a.m. - 4:30 p.m., PST, Lunes a Viernes  
[www.whalenstyle.com](http://www.whalenstyle.com)

**Hable para re-emplazo de partes o asistencia: 1-866-942-5362**

SI REQUIERE ORDENAR UNA PIEZA UTILIZAR LA LISTA INFERIOR

Consola para TV de Pantalla Plana 3-en-1™ (XL-33E)



*XL-33E-1-US	Poste superior	*XL-33E-19-SEC	Tapón de poste
*XL-33E-1A-LS	Poste inferior	*XL-33E-20-SC	Ventosa
*XL-33E-2-TG	Vidrio superior	*XL-33E-21-1/2B	Tornillo de 1/2"
*XL-33E-3-MGS	Vidrio intermedio	*XL-33E-22-3/4B	Tornillo de 3/4"
*XL-33E-4-BGS	Vidrio inferior	*XL-33E-23-1B	Tornillo de 1"
*XL-33E-5-LL	Pata izquierda	*XL-33E-24-LW	Arandela presión
*XL-33E-6-RL	Pata derecha	*XL-33E-25-FW	Arandela plana
*XL-33E-7-MF	Marco de montaje	*XL-33E-26-1 1/8FHB	Tornillo de 1-1/8"
*XL-33E-8-MB	Soporte de monitor	*XL-33E-27-2 1/2AB	Tornillo de 2-1/2"
*XL-33E-9-LB	Tornillo seguro	*XL-33E-28-FN	Tuerca especial
*XL-33E-10-SB	Soporte giratorio	*XL-33E-29-2 1/2LB	Tornillo de 2-1/2"
*XL-33E-11-CW	Guía para cable	*XL-33E-30-LFW	Arandela grande
*XL-33E-12-TSS	Soporte de repisa	*XL-33E-31-CA	Taquete para concreto
*XL-33E-13-TSF	Repisa superior	*XL-33E-32-TRHK	Juego de restricción de movimiento
*XL-33E-14-MSF	Repisa intermedia	*XL-33E-33-M4AW	Llave Allen 4 mm
*XL-33E-15-BSF	Repisa inferior	*XL-33E-34-TUP	Plumón de retoque
*XL-33E-16-SPEC	Tapa plástica (16 x 16 mm)	*XL-33E-TVMK	Juego de Montaje TV
*XL-33E-17-OPG	Ojal ovalado de plástico	*XL-33E-CH	Herraje completo
*XL-33E-18-FL	Nivelador de piso		