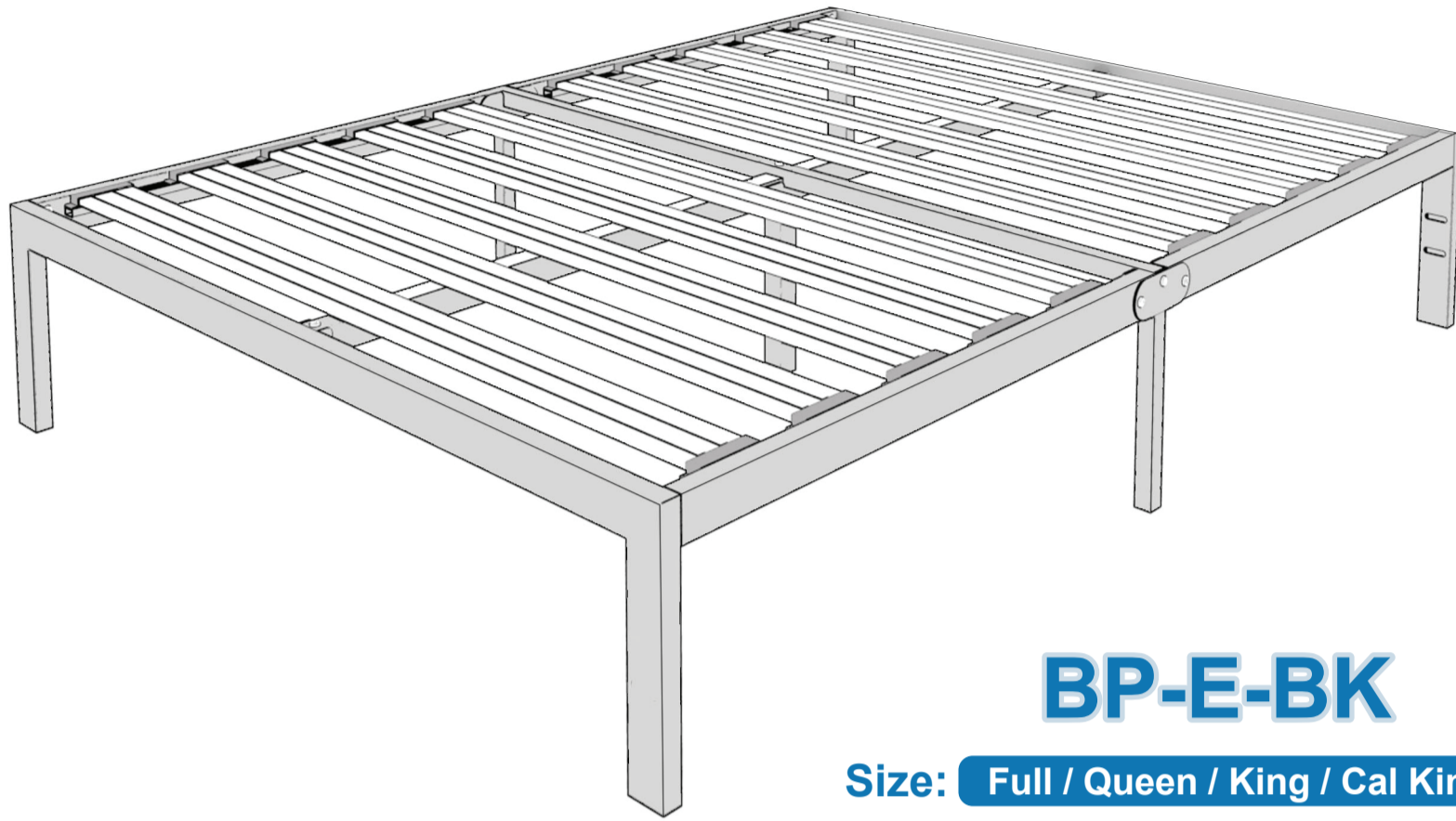


Steel Platform Bed

MODEL E

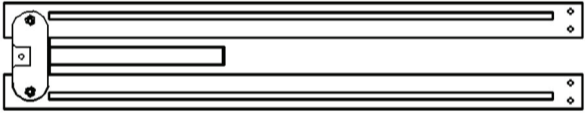
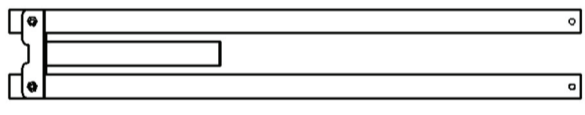
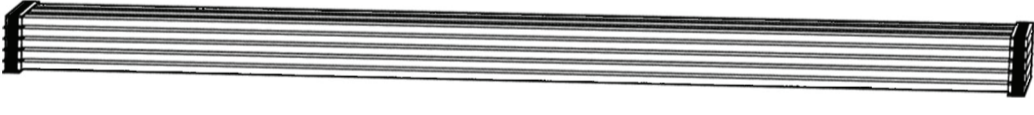
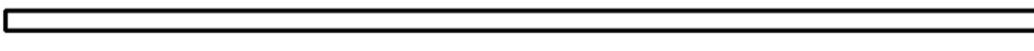
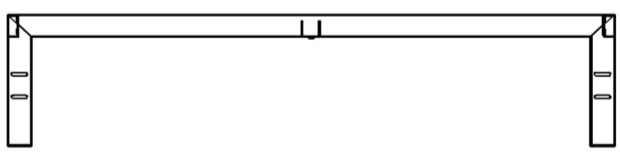
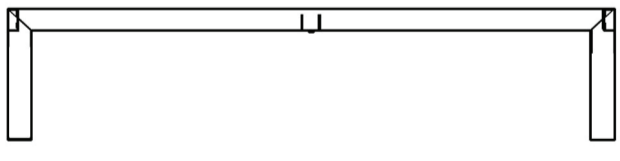
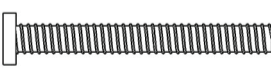

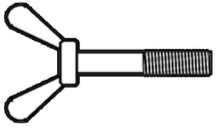
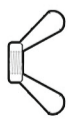
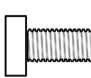
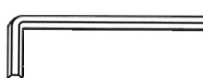


BP-E-BK

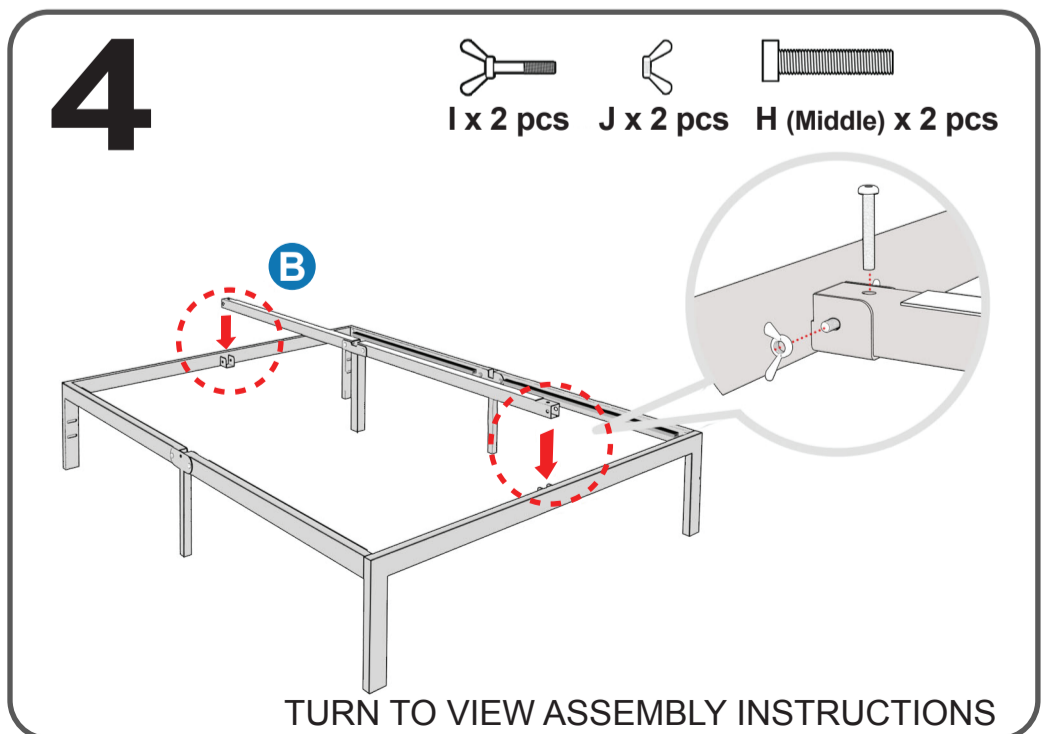
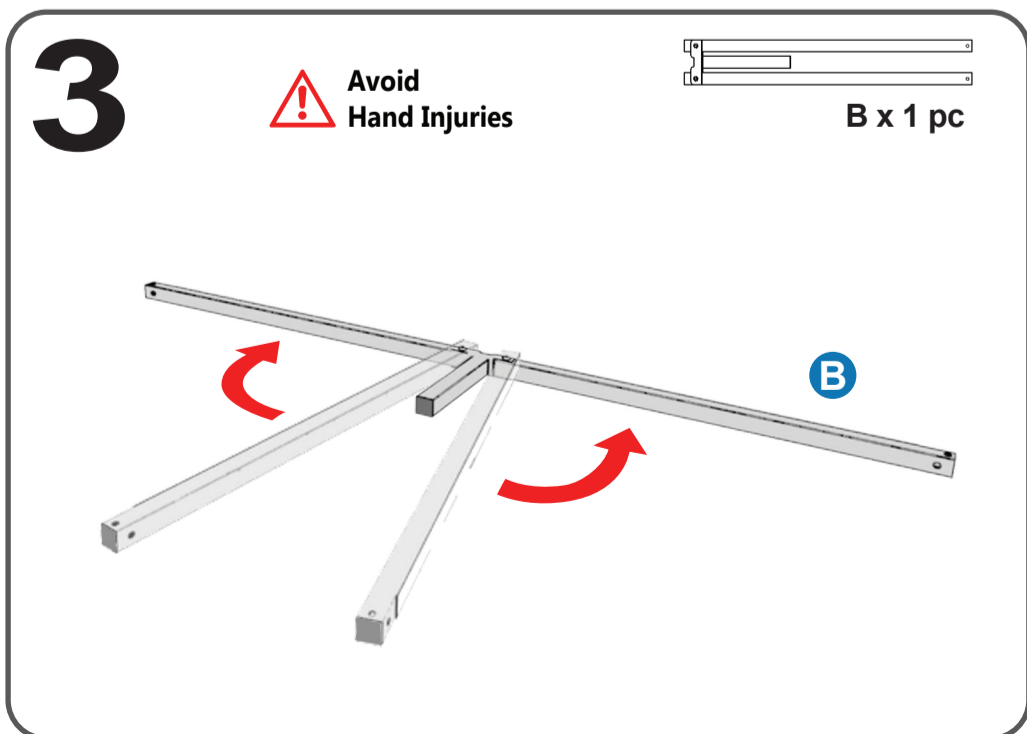
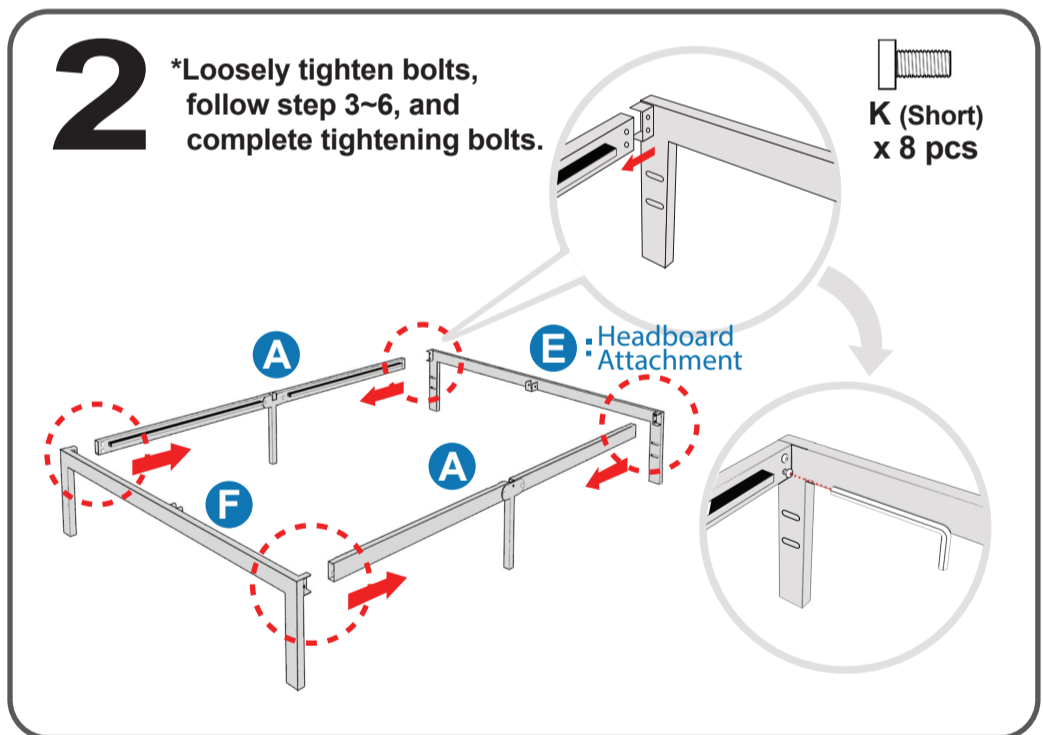
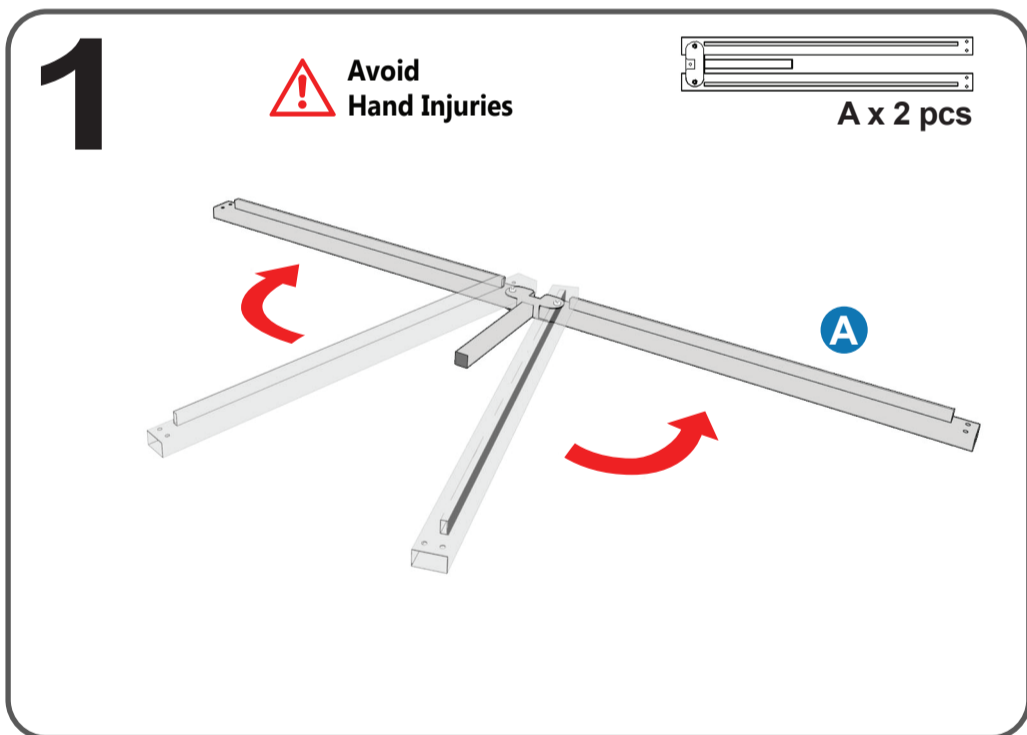
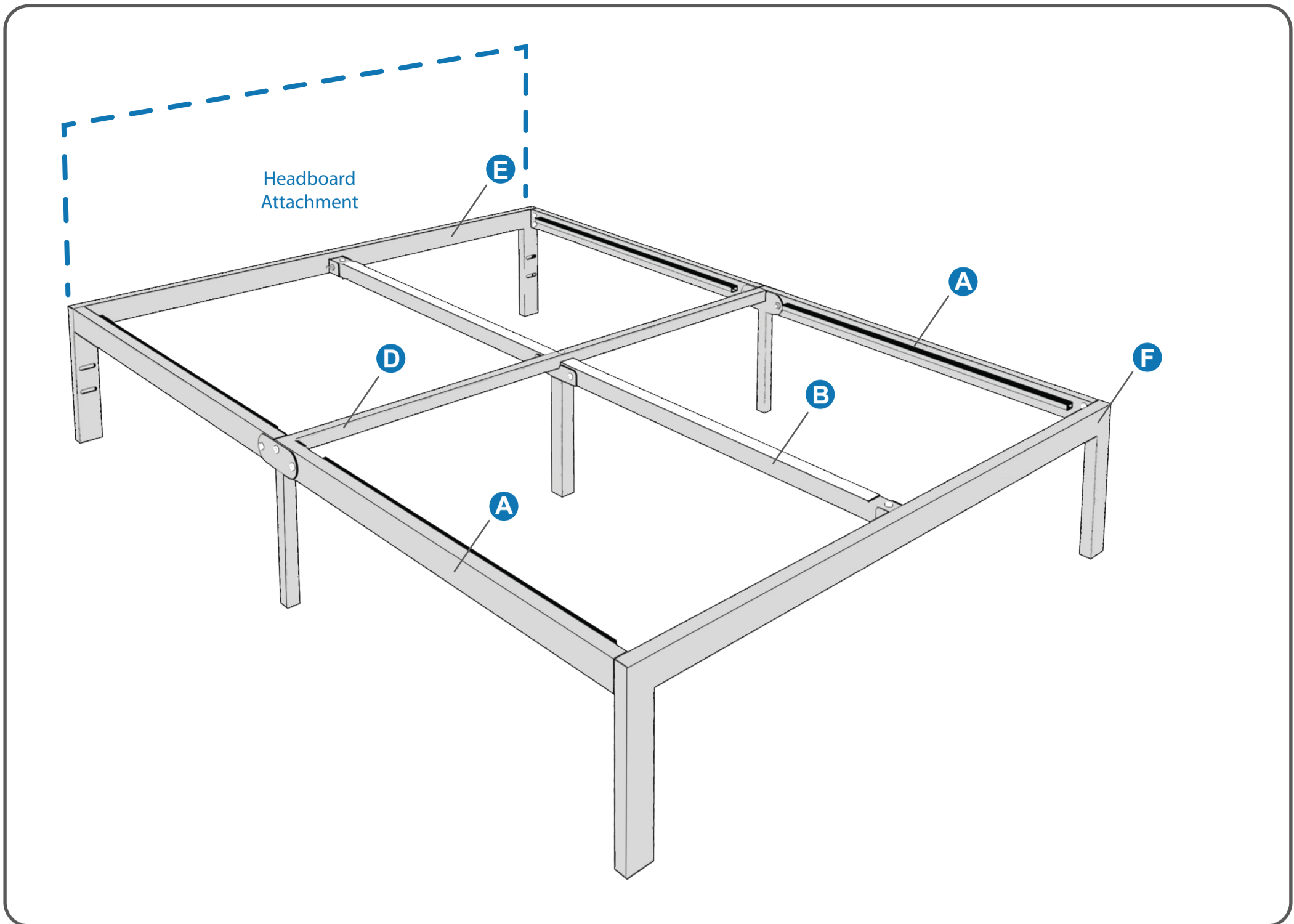
Size: Full / Queen / King / Cal King

Instructions


Components

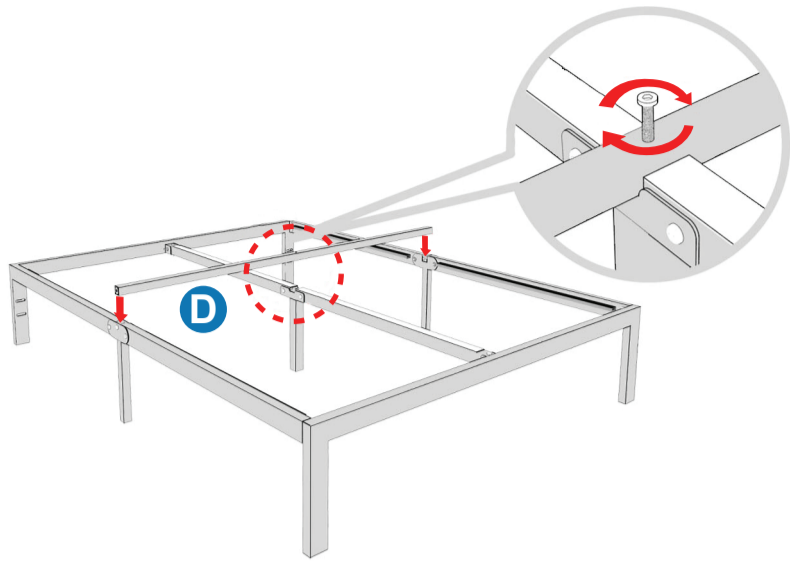
- 
A X 2 pcs
- 
B X 1 pc
- 
C X 2 pcs
- 
D X 1 pc
- 
*Headboard Attachment
E X 1 pc
- 
F X 1 pc
- 
*2.8" (73mm)
G X 1 pc
- 
*2.2" (58mm)
H X 2 pcs
- 
I X 2 pcs
- 
J X 2 pcs
- 
K X 10 pcs
- 
L X 2 pcs

TURN TO VIEW ASSEMBLY INSTRUCTIONS



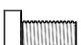
5

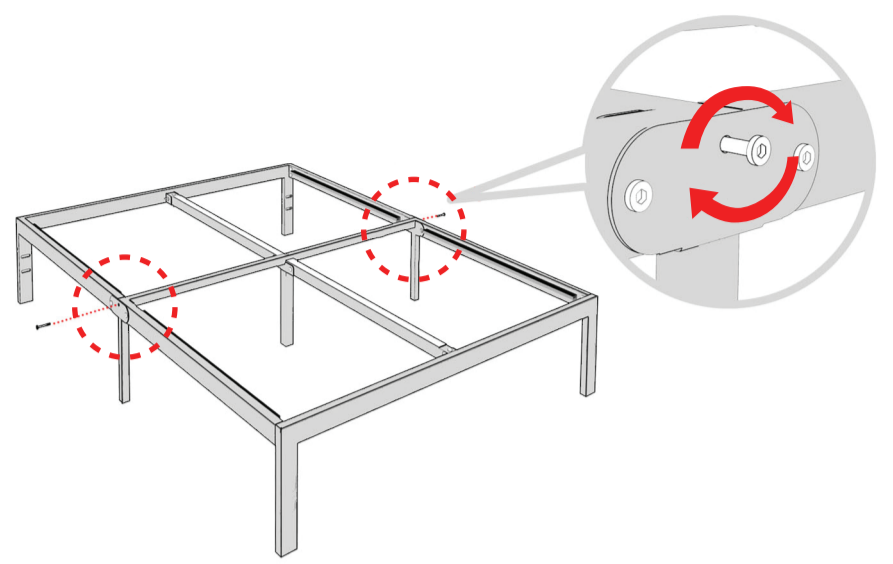
 G (Long) x 1 pc



6

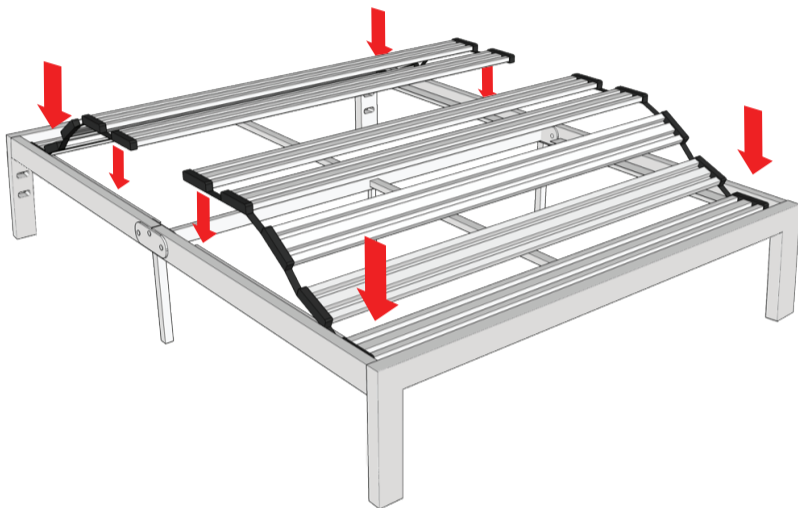
*Complete tightening all bolts.

 K x 2 pcs



7

 C x 2 pcs



8



THIS PRODUCT REQUIRES ADULT ASSEMBLY

If any part is missing or if you have any questions regarding the product, please call our customer service team or send us an email and have this assembly manual open to the components list ready to provide the model name and component number.

1-800-383-2230

support@bpmatt.com

MON - FRI 8:00 AM PST - 5:00 PM PST

RETURN POLICY

The item must be returned within 30 days of delivery for a full refund. All items (including accessories and components) must be returned in its original condition and carton, with original proof of purchase.

Please email us for the 5-year limited warranty details.

 **WARNING:**

This unit has been designed to support the maximum distributed weight of 1500 lbs. Exceeding capacity may cause sagging, instability, product collapse and/or serious injuries. Remove mattress and all other objects while moving the assembled unit.



CHOKING HAZARD - Small parts. Not intended for children.



PREVENT HAND INJURIES - Please use caution when assembling. Avoid placing fingers between frame structure while unfolding.