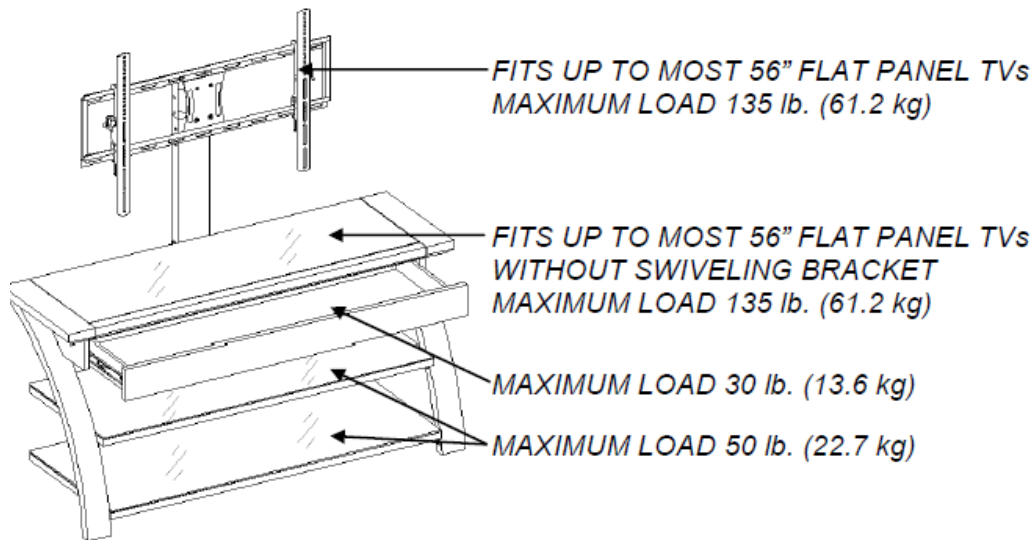


WHALEN FURNITURE
50" TV STAND W/STORAGE DRAWER

Model # TGXLD-1

SAFETY & WARNING INFORMATION

Option 1:
With Swinging Floater



⚠ WARNING THIS UNIT IS INTENDED FOR USE ONLY WITH THE PRODUCTS AND MAXIMUM WEIGHTS INDICATED. USE WITH OTHER PRODUCTS OR PRODUCTS HEAVIER THAN THE MAXIMUM WEIGHTS INDICATED MAY RESULT IN INSTABILITY CAUSING POSSIBLE INJURY. THE BASE OF THE TELEVISION MUST BE PLACED SQUARELY IN THE CENTER OF THE STAND WITH NO OVERHANGING ON EITHER SIDE.

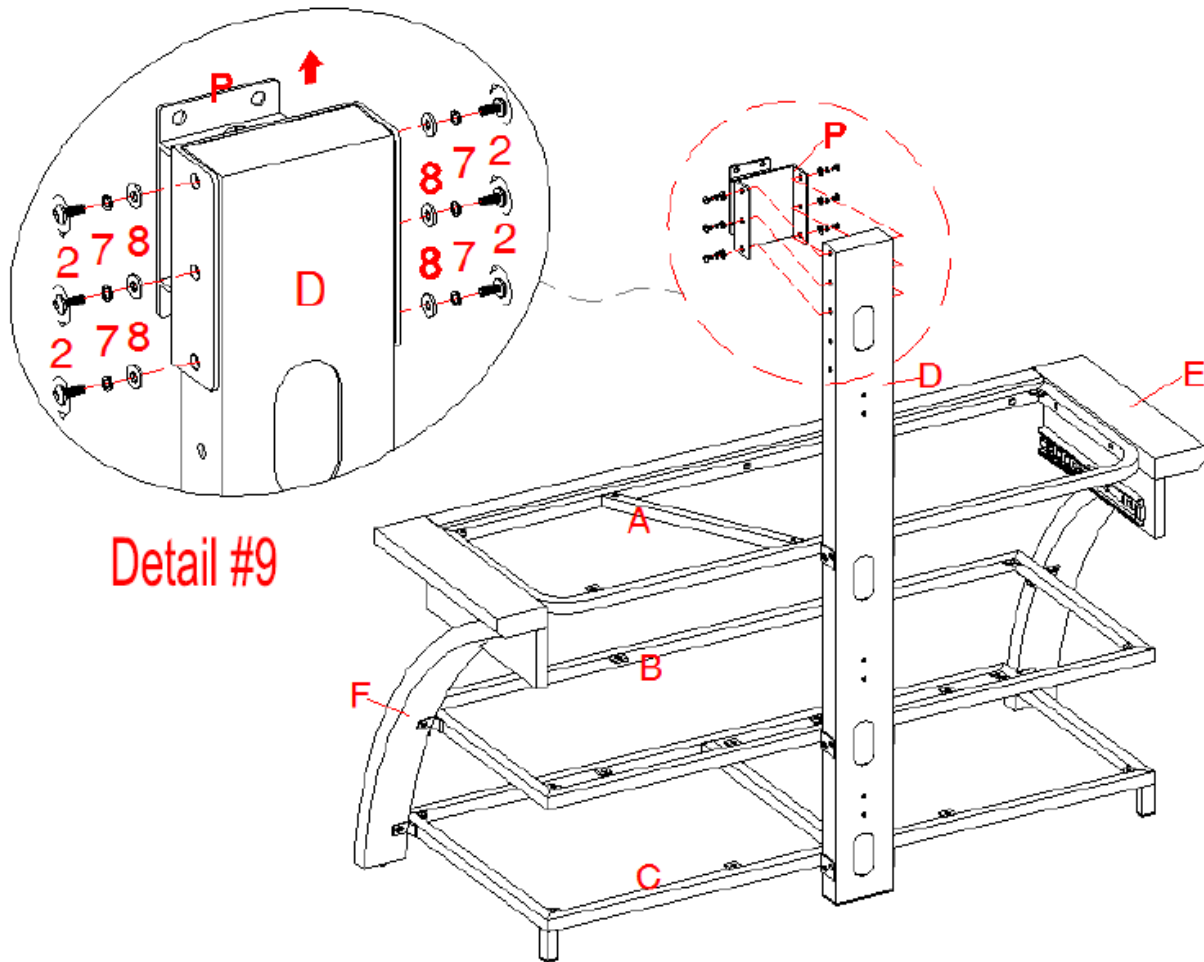
Note: Please do not fully tighten all bolts until you finish assembling all parts. Once assembled, go back and fully tighten all bolts. This will make it easier during assembly of unit.

WHALEN FURNITURE 50" TV STAND W/STORAGE DRAWER

Model # TGXLD-1

SAFETY & WARNING INFORMATION

Note: The Spine can provide three height options for your TV set. Refer to your TV size, adjust the Swiveling Bracket at your desired height to offer optimum viewing.



Detail #9

Note: Lean the TV up against a wall or other solid surface when attaching with the Monitor Brackets. DO NOT place the TV face down on the glass this may cause permanent damage.

WARNING DO NOT LAY THE TELEVISION FACE DOWN ON THE GLASS

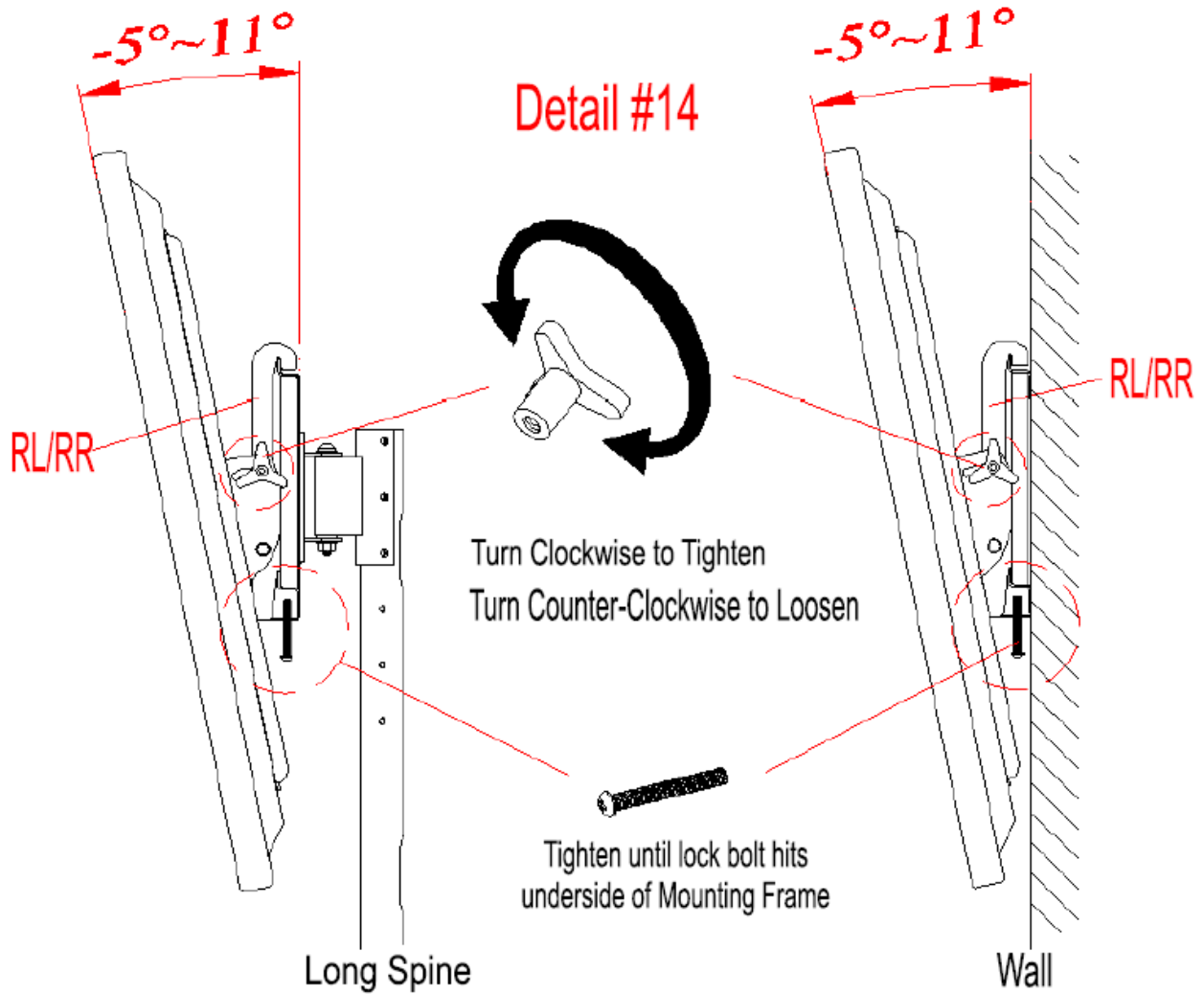
MAKE SURE ALL BOLTS ARE TIGHT AND SPINE IS AT A 90 DEGREE ANGLE AND USING A QUALITY LEVEL TO VERIFY THE MOUNTING FRAME IS LEVEL PRIOR TO INSTALLATION OF TV.

**WHALEN FURNITURE
50" TV STAND W/STORAGE DRAWER**

Model # TGXLD-1

SAFETY & WARNING INFORMATION

Note: If you need to remove the TV, make sure both Lock Bolts are disengaged fully.



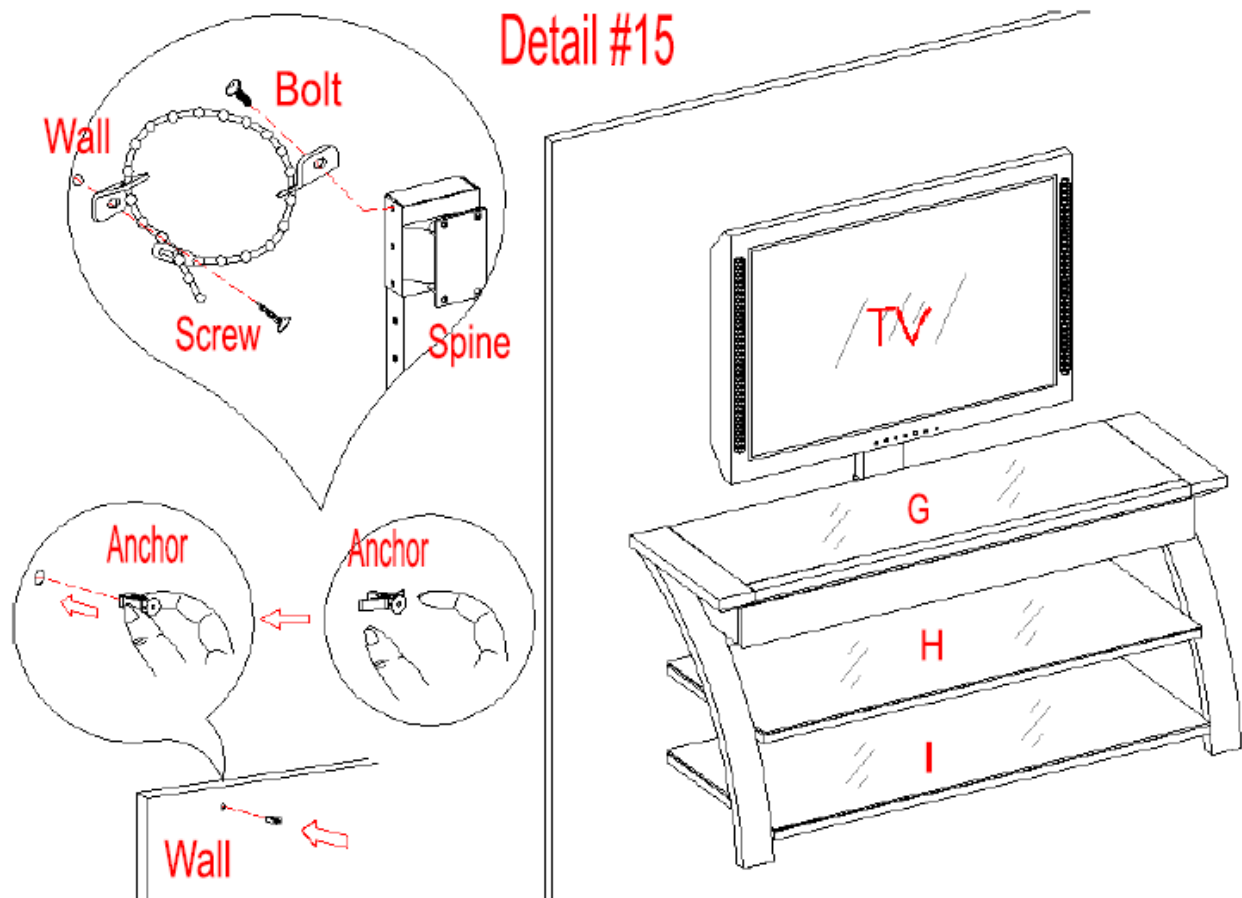
WHALEN FURNITURE 50" TV STAND W/STORAGE DRAWER

Model # TGXLD-1

SAFETY & WARNING INFORMATION

This product is sold with Tip Restraint Hardware kit. You must install the Tipping Restraint Hardware between the wall and the TV stand to prevent any accidents or damages. When properly installed, this restraint can provide protection against the unexpected tipping of the unit due to small tremors, bumps or climbing. The restraint is only a deterrent and is not a substitute for proper adult supervision. Use of tip-over restraints may only reduce, but not eliminate, the risk of tip-over.

Note: You must install the Tipping Restraint Hardware with the unit in use to prevent any accidents or damage to the unit.



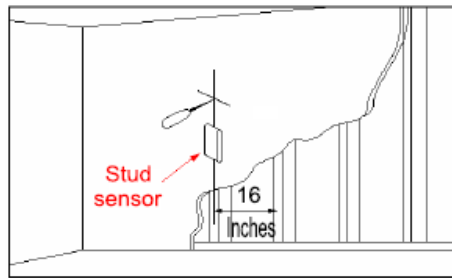
WHALEN FURNITURE 50" TV STAND W/STORAGE DRAWER

Model # TGXLD-1

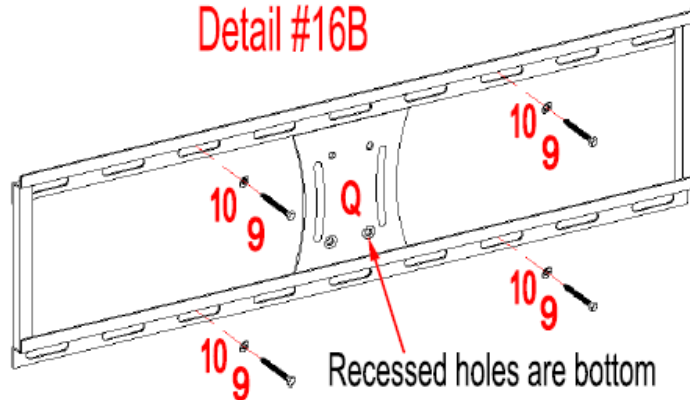
SAFETY & WARNING INFORMATION

Option 2: Console with Universal Wall Mount

Detail #16A



Detail #16B



⚠ WARNING Do not over tighten the Lag Bolts. Tighten Lag Bolts only until the Lag Bolt Washer is pulled firmly against the "Z" Plate of Mounting Frame. If there is a layer of drywall or other material, this drywall or other material may not exceed 5/8 inch in thickness. Failure to heed this caution may result property damage and/or personal injury.

⚠ WARNING Maximum weight 165 lb. (74.8 kg)

⚠ WARNING Concrete Anchors should only be used for masonry mounting. **NEVER** use the wall anchors to mount the unit to drywall.

Care and Maintenance

- Use a soft, clean cloth that will not scratch the surface when dusting.
- Use of furniture polish is not necessary. Should you choose to use polish, test in an inconspicuous area first.
- Using solvents of any kind on your furniture may damage the finish.
- Never use water to clean your furniture as it may cause damage to the finish.
- Always use coasters under beverage glasses and flowerpots.
- Liquid spills should be removed immediately. Using a soft clean cloth, blot the spill gently. Avoid rubbing.
- Always use protective pads under hot dishes and plates. Heat can cause chemical changes that may create spotting within the furniture finish.
- Stains or marks from crayons or ink markers will be difficult to remove.
- In the event that your furniture is stained or otherwise damaged during use, we recommend that you call a professional to repair your furniture.
- Check bolts/screws periodically and tighten them if necessary.

Further advice about wood furniture care

It is best to keep your furniture in a climate-controlled environment. Extreme temperature and humidity changes can cause fading, warping, shrinking and splitting of wood. It is advised to keep furniture away from direct sunlight as sun may damage the finish. Proper care and cleaning at home will extend the life of your purchase. Follow these important and helpful tips that will enhance your furniture as it ages.

A Touch-up Pen has been provided to repair any small nicks or scratches that may occur during assembly or shipping.

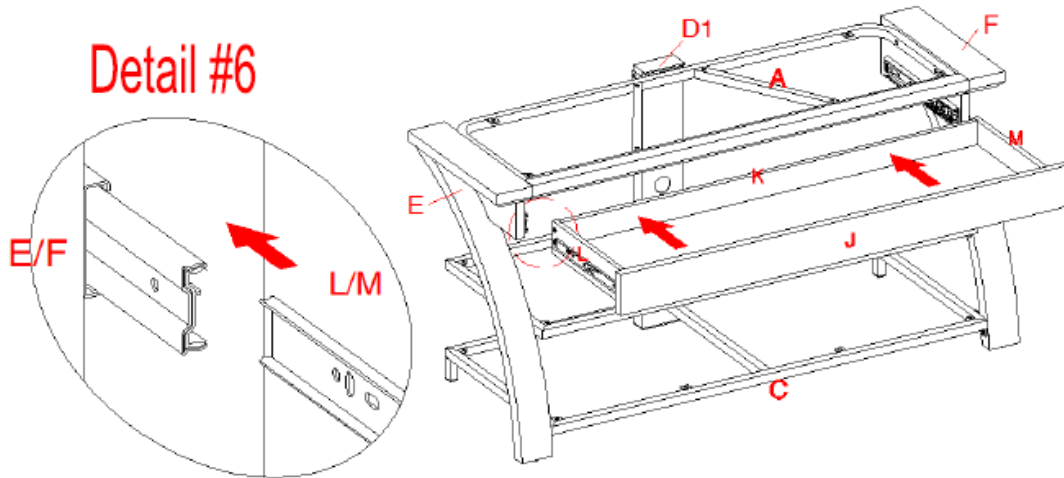
WHALEN FURNITURE 50" TV STAND W/STORAGE DRAWER

Model # TGXLD-1

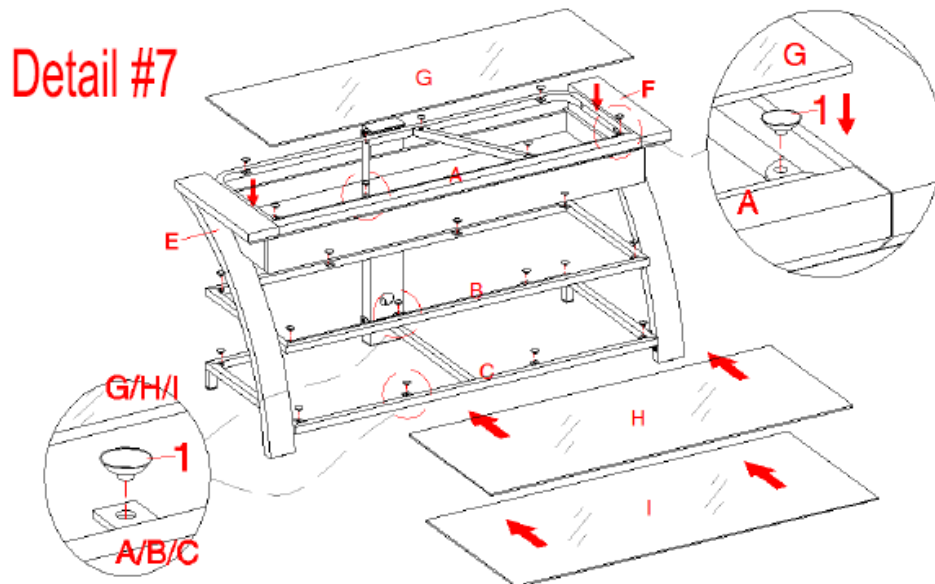
SAFETY & WARNING INFORMATION

Option 3: Table-top

Note: If they do not go smoothly, please take out and repeat step. If you need to remove the Drawer, please pull the Drawer all the way out, then push the plastic release lever of the ball bearing slide up on one side and down on the other side, and then pull it completely out.



Note: Make sure that the Suction Cups go all the way into the pre-drilled holes to prevent the glass shelf from falling and getting damage. If glass is scratched you can minimize the damage by using a BLACK marker and filling in scratched area from underneath.



**WHALEN FURNITURE
50" TV STAND W/STORAGE DRAWER**

Model # TGXLD-1

SAFETY & WARNING INFORMATION

NOTE: YOU MUST USE THIS TIPPING RESTRAINT TO ATTACH THIS UNIT TO THE WALL, TO PREVENT ACCIDENTS AND/OR INJURIES.

