

14' X 12' PAVILION WITH ALUMINUM ROOF

Installation and Operating Instructions – YM12949



HEIGHT:
10'10" or 3.3 m

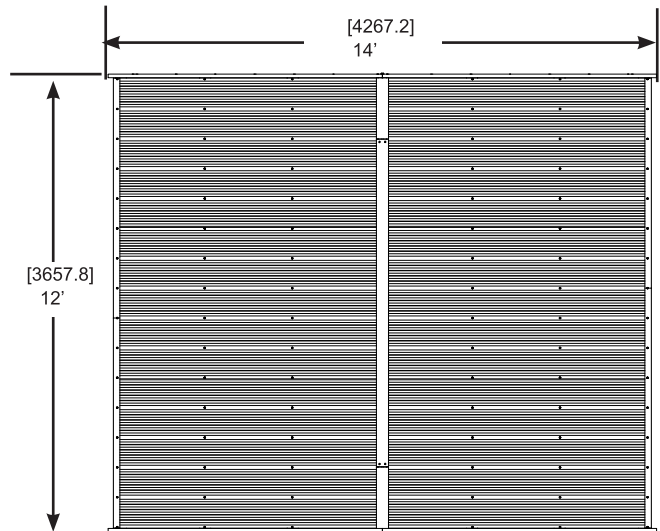
Revised 10-20-2017

**YARDISTRY**[®]

Yardistry – North America
Toll Free Customer Support: 1.888.509.4382
info@yardistrystructures.com
www.yardistrystructures.com



For Spanish instructions visit our website at:
(Para obtener instrucciones en español, visite nuestro sitio web en:)
<http://yardistrystructures.com/instruction-manuals/>



Height: 10' 10" (3.3 m)

Important Safety Notice!

Yardistry components are intended for privacy, decorative and ornamental use only.

Product is NOT INTENDED for the following:

- A safety barrier to prevent unsupervised access to pools, hot tubs, spas or ponds.
- As load bearing support for a building, structure, heavy objects or swings.
- Used in structures that trap wind, rain or snow that would create extra load on the product.

Accumulated snow must be removed from roof.

DO NOT climb or walk on roof for any reason.

Permanent structures may require a building permit. As the purchaser and or installer of this product you are advised to consult local planning, zoning and building inspection departments for guidance on applicable building codes and/or zoning requirements.

Wood is NOT flame retardant and will burn. Grills, fire pits and chimineas are a fire hazard if placed too close to a Yardistry structure. Consult user's manual of the grill, fire pit or chimenea for safe distances from combustible materials.

Wear gloves to avoid injury from possible sharp edges of individual elements before assembly.

During installation, follow all safety warnings provided with your tools and use OSHA approved safety glasses. Some structures may require two or more people to install safely.

Check for underground utilities before digging or driving stakes into the ground!

It is important during assembly to closely follow the instructions, complete the assembly on a solid level surface and that you follow the instruction to square up, level and anchor the structure, this will reduce the gap at wood connections during assembly.

General Information

General Information: Wood components are manufactured with Cedar (C. Lanceolata) which is protected with factory applied water-based stain. Knots, small checks (cracks) and weathering are naturally occurring and do not affect the strength of the product. Annual application of a water-based water repellent sealant or stain is important and will help reduce weathering and checks.

www.yardistrystructures.com

Questions?

Call toll free or write us at:

1 (888) 509-4382

info@yardistrystructures.com

Patents Pending

Limited Warranty

Yardistry warrants that this product is free from defect in materials and workmanship for a period of one year from the original date of purchase. In addition, all lumber is warranted for 5 years against rot and decay. This warranty applies to the original owner and registrant and is non-transferable.

Regular maintenance is required to assure the integrity of your product and is a requirement of the warranty. This warranty does not cover any inspection cost.

This Limited Warranty does not cover:

- Labor for replacement of any defective item(s);
- Incidental or consequential damages;
- Cosmetic defects which do not affect performance or integrity;
- Vandalism; improper use or installation; acts of nature;
- Acts of nature including but not limited to wind, storms, hail, floods, excessive water exposure;
- Minor twisting, warping, checking, or any other natural occurring properties of wood that do not affect performance or integrity.

Yardistry products have been designed for safety and quality. Any modifications made to the original product could damage the structural integrity of the product leading to failure and possible injury. Yardistry cannot assume any responsibility for modified products. Furthermore, modification voids any and all warranties.

This product is warranted for RESIDENTIAL USE ONLY. Yardistry disclaims all other representations and warranties of any kind, express or implied.

This Warranty gives you specific legal rights. You may have other rights as well which vary from state to state or province to province. This warranty excludes all consequential damages, however, some states do not allow the limitation or exclusion of consequential damages, and therefore this limitation may not apply to you.

Instructions for Proper Maintenance

Your Yardistry structure is designed and constructed of quality materials. As with all outdoor products it will weather and wear. To maximize the enjoyment, safety and life of your structure it is important that you, the owner, properly maintain it.

HARDWARE:

- Check metal parts for rust. If found, sand and repaint using a non-lead paint complying with 16 CFR 1303.
- Inspect and tighten all hardware after completion of assembly; after first month of use; and then annually. Do not over-tighten as to cause crushing and splintering of wood.
- Check for sharp edges or protruding screw threads, add washers if required.

WOOD PARTS:

- Applying a water repellent or stain (water-based) on a yearly basis is important maintenance to maintain maximum life and performance of the product.
- Check all wood members for deterioration, structural damage and splintering. Sand down splinters and replace deteriorated wood members. As with all wood, some checking and small cracks in grain is normal
- Some gapping may occur at some wood connections.

Assembly Guides

Tools Required:

- | | | |
|------------------------------|------------------|----------------------|
| • Tape Measure | • 8' Step Ladder | • 6' Step Ladder x 2 |
| • Carpenters Level | • Safety Glasses | • Square |
| • Standard or Cordless Drill | • Adult Helper | • Ratchet |
| • 7/16", 1/2" & 9/16" Wrench | • Safety Gloves | |
| • 7/16", 1/2" & 9/16" Socket | • Hard Hat | |

Symbols:

Throughout these instructions symbols are provided in the top, right-hand corner of the page.



- Use Help, where this is shown, 2, 3 or 4 people are required to safely complete this step. To avoid injury or damage to the assembly make sure to get some help.



- Use a measuring tape to assure proper location



- Pre-drill a pilot hole before fastening screw or lag to prevent splitting of wood.



- Check that assembly is square before tightening bolts

If you dispose of your Yardistry structure: Please disassemble and dispose of your unit so that it does not create any unreasonable hazards at the time it is discarded. Be sure to follow your local waste ordinances.

Assembly Tips

Following are some helpful tips to make the assembly process smooth and efficient.

PRE-ASSEMBLIES:

(i.e. Post and Beam Assemblies, Roof Rafter Assembly, etc)

- Work on a raised, solid and flat surface such as, a table or saw horse.
- Keep all connections flush where shown in the instructions.
- When assembling the beams keep parts flat, straight and snug when connecting.

METAL PARTS:

- Roofing material may have sharp edges, wear safety gloves.
- Remove all plastic covering, on both sides of the metal panels, directly before installing each piece.
- Place roofing material on a non-abrasive surface before and after assembly as it can bend, dent and scratch easily.
- The roofing screws can easily crush the roof panels and roof edges when using a power drill. We recommend hand tightening the roofing screws so they sit snug and tight to the roofing material.

Permanent Installation Examples

Note: It is critically important you start with square, solid and level footings, concrete pad or deck to attach your Pavilion.

We supply Post Mounts with this structure which gives you the flexibility to permanently install your structure to a pre-existing or new wood or concrete surface.

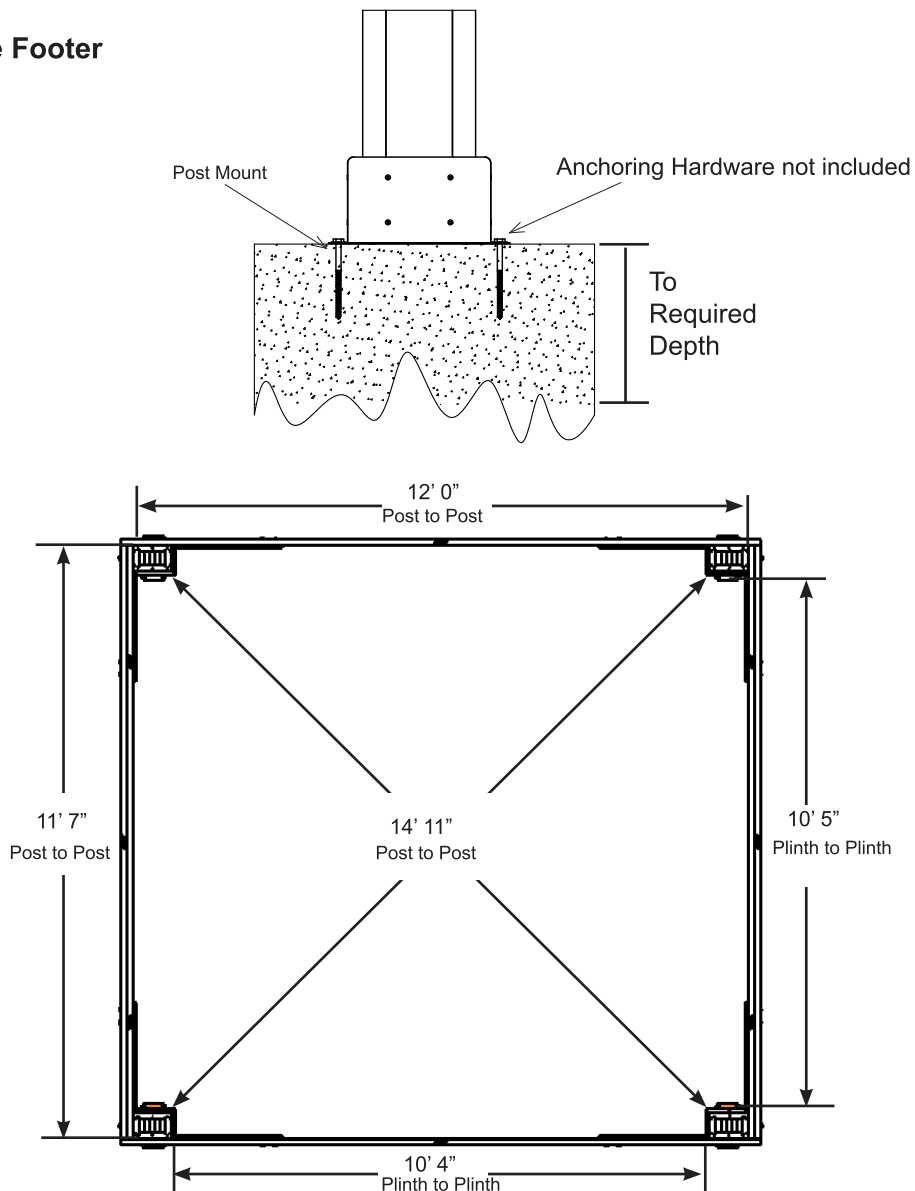
- The hardware to attach the Post Mount to the structure is included.
- The hardware to mount the structure permanently will need to be purchased separately at your local hardware store.

If you are mounting to concrete footers see below for the correct locations and placement. Please double check for possibility of any underground utilities such as gas, telephone, cable or sprinkler lines.

Following are some examples of how to mount the structure to wood or concrete surfaces.

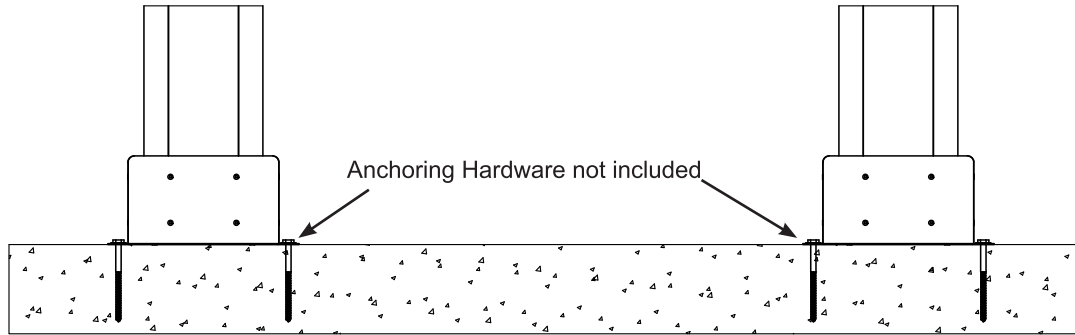
Refer to your local building and city codes, ordinances, neighbourhood covenants, or height restrictions regarding this type of structure for guidance on acceptable installation requirements.

Concrete Footer



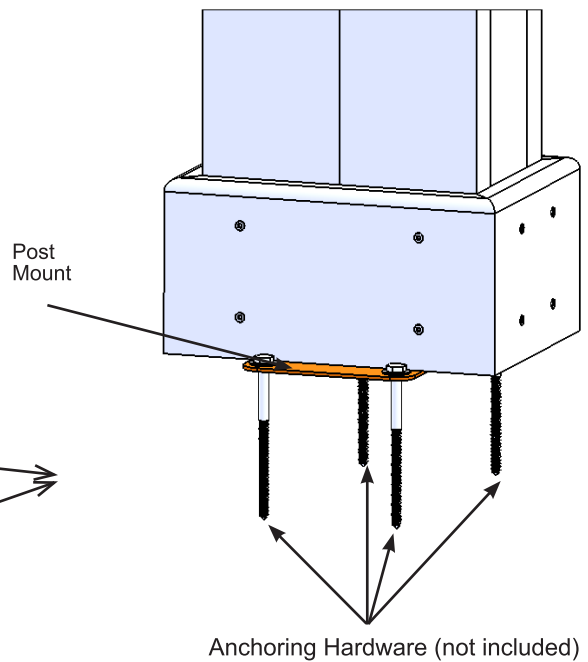
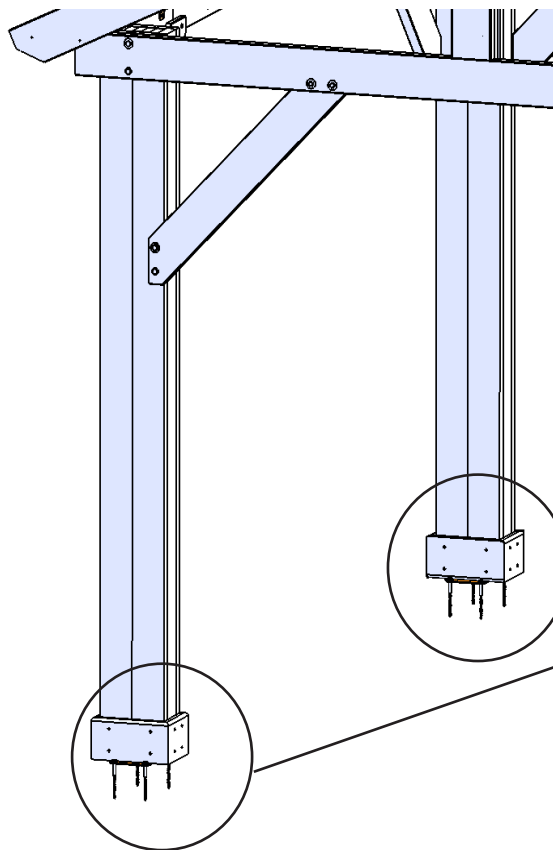
Permanent Installation Examples cont.

Concrete Patio (min. 12' 7" x 13') with 6" clearance on all sides



Wood Deck (min. 12' 7" x 13') with 6" clearance on all sides

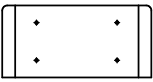
Anchoring Hardware not included



Post Mounts have a 1/2" diameter hole for anchoring hardware.

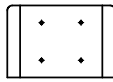
Part Identification (Dimensions are approximate and are shown to assist in the identification of parts for assembly. Actual dimensions may be smaller or larger.)

8pc. (460) Plinth Long FSC
23.8 x 133.4 x 276.2mm (5/4 x 6 x 10-7/8")



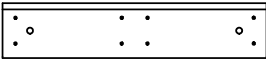
Y50229-460

8pc. (459) Plinth FSC
23.8 x 133.4 x 200mm (5/4 x 6 x 7-7/8")



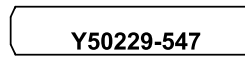
Y50229-459

4pc. (545) Rafter Brace FSC 25.4 x 101.6 x 489mm (1 x 4 x 19-1/4")



Y50229-545

5pc. (547) Tie Brace FSC 31.8 x 88.9 x 454mm
(1 1/4 x 3 1/2 x 17-7/8")



Y50229-547

4pc. (550) Fascia FSC 25.4 x 139.7 x 2344.7mm (1 x 5 1/2 x 92-5/16")



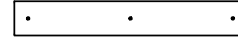
Y50229-550

2pc. (542) Ridge Short FSC 25.4 x 101.6 x 1541.4mm (1 x 4 x 60-11/16")



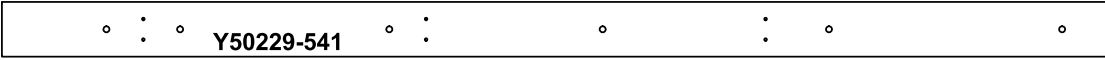
Y50229-542

4pc. (548) Gable End FSC 38.1 x 63.5 x 430mm
(1 1/2 x 2 1/2 x 16-15/16")



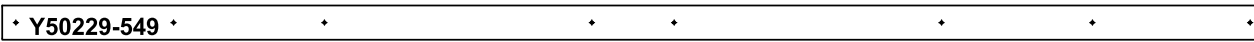
Y50229-548

2pc. (541) Ridge Long FSC 25.4 x 101.6 x 2065.3mm (1 x 4 x 81-5/16")



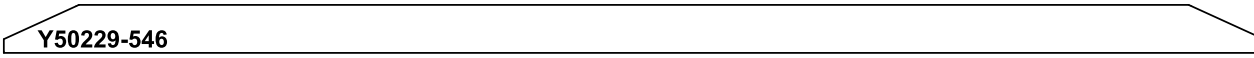
Y50229-541

2pc. (549) Gable Inside FSC 38.1 x 63.5 x 2336.8mm (1 1/2 x 2 1/2 x 92")



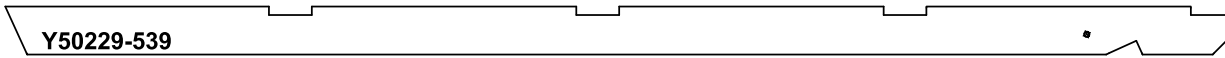
Y50229-549

5pc. (546) Tie FSC 31.8 x 88.9 x 2333.6mm (1 1/4 x 3 1/2 x 91-7/8")



Y50229-546

10pc. (539) Rafter A FSC 31.8 x 88.9 x 2272.1mm (1 1/4 x 3 1/2 x 89-29/64")



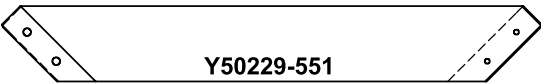
Y50229-539

4pc. (540) Rafter B FSC 38.1 x 88.9 x 2272.1mm (1 1/2 x 3 1/2 x 89-29/64")



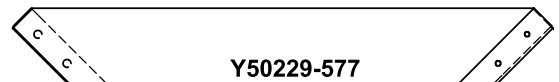
Y50229-540

4pc. (551) Left Gusset FSC 38.1 x 139.7 x 1003.3mm (1 1/2 x 5 1/2 x 39 1/2")



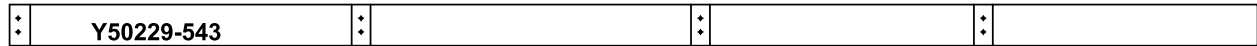
Y50229-551

4pc. (577) Right Gusset FSC
38.1 x 139.7 x 1003.3mm (1 1/2 x 5 1/2 x 39 1/2")



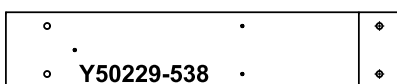
Y50229-577

8pc. (543) Strap Long FSC 31.8 x 76.2 x 2326.9mm (1 1/4 x 3 x 91-5/8")



Y50229-543

4pc. (538) Side Beam Ends FSC 38.1 x 139.7 x 729.8mm (1 1/2 x 5 1/2 x 28-47/64")



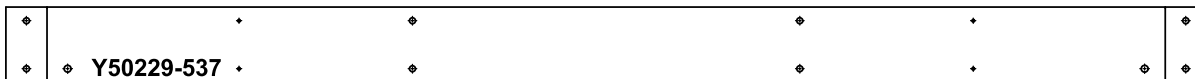
Y50229-538

8pc. (544) Strap Short FSC 31.8 x 76.2 x 1279.1mm (1 1/4 x 3 x 50-23/64")



Y50229-544

2pc. (537) Side Beam Inside FSC 38.1 x 139.7 x 2223.4mm (1 1/2 x 5 1/2 x 87-35/64")



Y50229-537

Part Identification (Dimensions are approximate and are shown to assist in the identification of parts for assembly. Actual dimensions may be smaller or larger.)

2pc. (552) Gable Upright Assembly Right FSC 76.2 x 139.7 x 717.4mm (3 x 5½ x 28¼")



2pc. (553) Gable Upright Assembly Left FSC 76.2 x 139.7 x 717.4mm (3 x 5½ x 28¼")



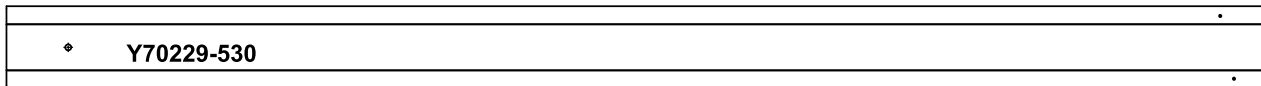
4pc. (536) Side Beam Outside FSC 38.1 x 139.7 x 1803.4mm (1½ x 5½ x 71")



4pc. (535) Gable Beam FSC 38.1 x 139.7 x 1943.1mm (1½ x 5½ x 76½")

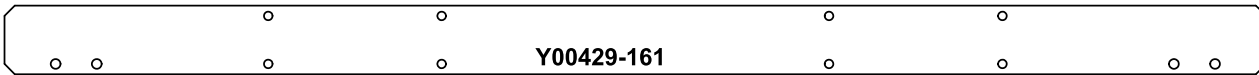


4pc. (530) 6 x 9 Post FSC 152.4 x 228.6 x 2336.8mm (6 x 9 x 92")

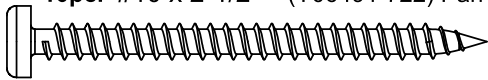


NOTE: Parts have been packed inside (530) 6 x 9 Post. Check for parts inside the posts.

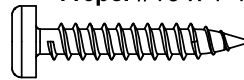
2pc. Beam Insert 2.7 x 127 x 2336.8mm (7/64 x 5 x 92")



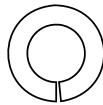
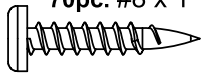
10pc. #10 x 2-1/2" - (Y06491-722) Pan Screw



116pc. #10 x 1-1/4" (Y06491-711) Pan Screw

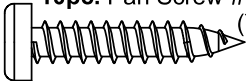


70pc. #8 x 1" (Y06491-510) Pan Screw



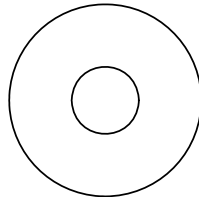
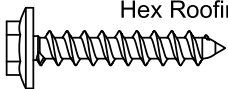
52pc. 5/16" (Y05318-300) Lock Washer

10pc. Pan Screw #12 x 1-1/4" (Y06491-611)



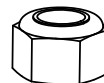
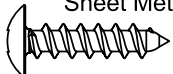
20pc. 1/4" (Y08318-203) Lock Nut

202pc. #8x 1" (Y06730-510) Hex Roofing Screw

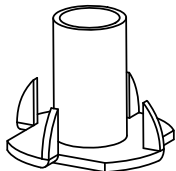


16pc. 3/8 x 1¼" (Y05118-811) Large Washer

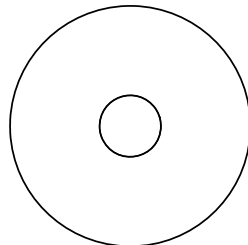
4pc. #8x3/4" - (Y06430-503) Sheet Metal Screw



8pc. 3/8" (Y08318-803) Lock Nut



52pc. 5/16" (Y08518-300) T-Nut



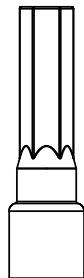
116pc. 1/4 - 5/16 x 1¼" (Y05118-311) Large Washer



1pc. 1/8" (Y00400-002) Drill Bit



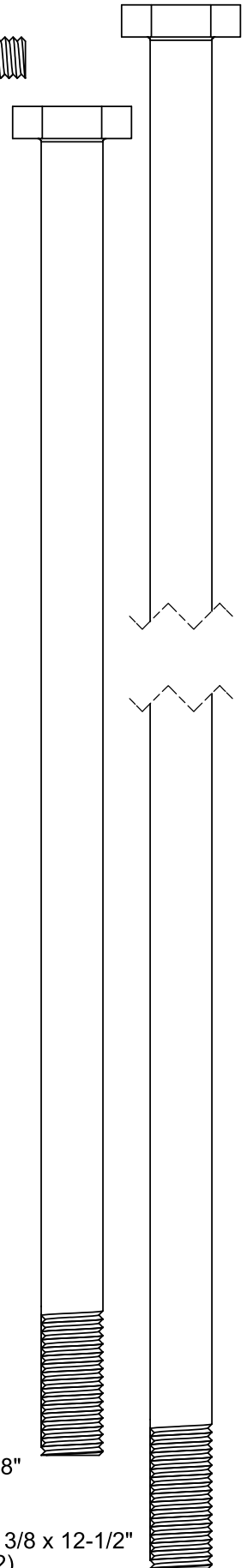
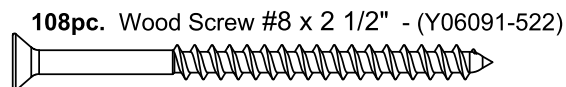
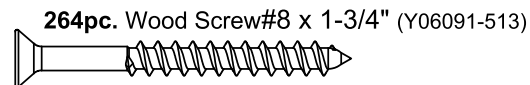
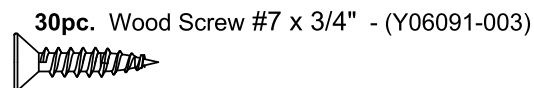
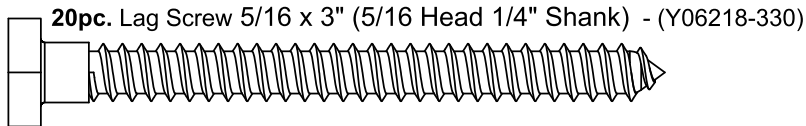
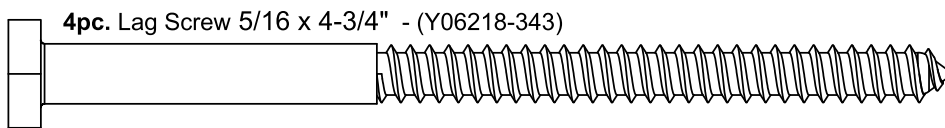
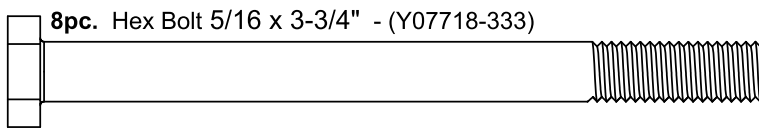
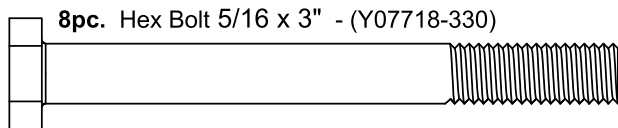
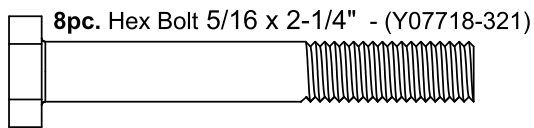
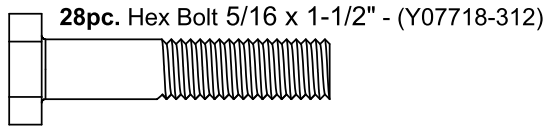
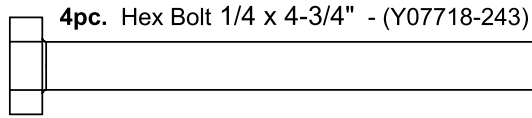
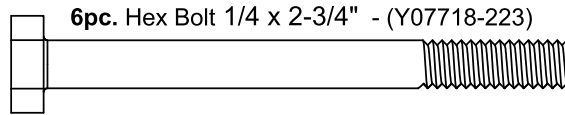
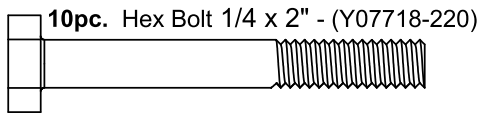
1pc. #2 x 2" (Y00400-005) Robertson Driver



1pc. Hex Driver (Y00400-004)

Hardware Identification

Dimensions are approximate and are shown to assist in the identification of parts for assembly. Actual dimensions may be smaller or larger.



4pc. Hex Bolt 3/8 x 8" (Y07718-880)

4pc. Hex Bolt 3/8 x 12-1/2" (Y07718-822)

Hardware Identification (Dimensions are approximate and are shown to assist in the identification of parts for assembly. Actual dimensions may be smaller or larger.)

6pc. Main Panel - Y01030-173

2pc. Right Side Panel - Y01030-174

1pc. 12 x 14 Pavilion Roof Set Y70830-173

2pc. Ridge Cap Short 27.5 (Y01030-167)

4pc. Ridge Clip Short 27.5 (Y01030-168)

2pc. Roof Edge Left (Y01030-152)

2pc. Roof Edge Right 75.2 (Y01030-169)

1pc. Ridge Cap 91 (Y01030-117)

2pc. Ridge Clip (Y01030-114)

1pc. Gazebo ID Plaque (Y70800-104)

1pc. Weather Seal - Y70818-171 Ridge Clip (6PK)

1pc. Corner Bracket (Y00419-160)

1pc. - Post Mount 9" (8Pk) (Y70829-122)

1pc. Jamb Mount Bracket Set (10Pk) (Y70819-157)

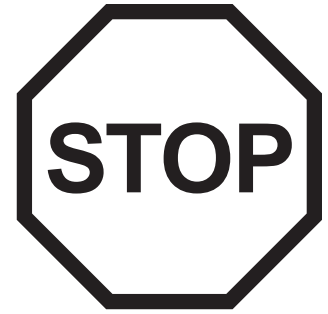
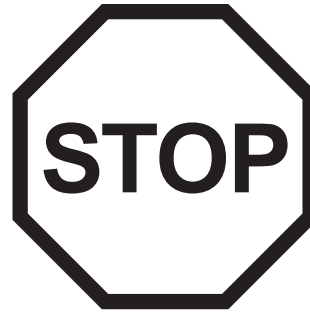
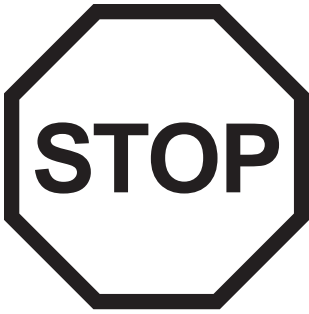
1pc. Tie Centre Bracket Set (4Pk) (Y70819-107)

2pc. Tie Wrap Bracket Set (4Pk) (Y70829-106)

1pc. Tie Wrap Bracket Set (2Pk) (Y70829-163)

1pc. Rafter To Beam Bracket (10Pk) (Y70819-175)

Step 1: Inventory Parts - Read This Before Starting Assembly



- A.** This is the time for you to inventory all your hardware, wood and accessories, referencing the parts identification sheets. This will assist you with your assembly.
- Each step indicates which bolts and/or screws you will need for assembly, as well as any flat washers, lock washers, t-nuts or lock nuts.
- B.** If there are any missing or damaged pieces or you need assistance with assembly please contact the consumer relations department directly. Call us before going back to the store.

1-888-509-4382
support@yardistrystructures.com

- C.** Read the assembly manual completely, paying special attention to ANSI warnings; notes; and safety/maintenance information on pages 1 - 4.
- Follow the instructions in order.
 - This structure is designed to be assembled and installed ideally by four people, DO NOT attempt to install alone.
 - Consider the slope of elevation where you plan to install the structure. Also, check for gas, telephone, other utilities or sprinkler line locations prior to excavating any holes.
- D.** Before you discard your cartons fill out the form below.
- The carton I.D. stamp is located on the end of each carton.
 - Please retain this information for future reference. You will need this information if you contact the Consumer Relations Department.

PRODUCT NUMBER: YM12949

CARTON I.D. STAMP: _ _ _ _ _ (Box 1)

CARTON I.D. STAMP: _ _ _ _ _ (Box 2)

CARTON I.D. STAMP: _ _ _ _ _ (Box 3)

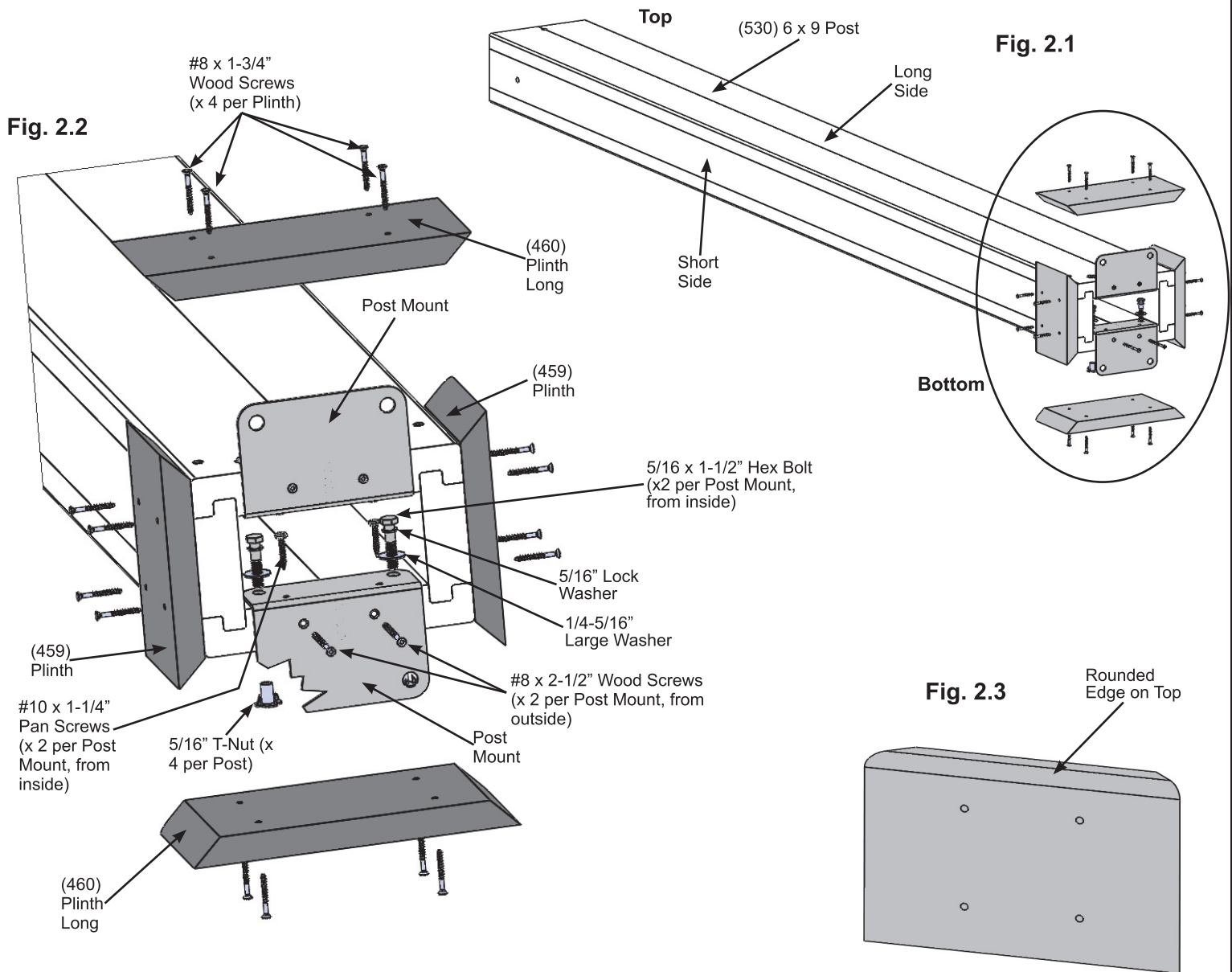
Step 2: Post Assemblies

A: At the bottom of one (530) 6 x 9 Post insert two 5/16" T-Nuts on the outside of each long side. (fig. 2.2)

B: At the bottom of the same (530) 6 x 9 Post place two Post Mounts tight to the bottom and inside faces on the long sides as shown in fig. 2.1 and 2.2. Loosely attach with two 5/16 x 1-1/2" Hex Bolt (with 5/16" lock washer and 1/4-5/16" large washer) per mount so they connect to the T-Nuts. From the bottom attach with two #8 x 2-1/2" Wood Screws and two #10 x 1-1/4" Pan Screws per mount. Tighten bolts.

C: Flush to the bottom of (530) 6 x 9 Post place one (460) Plinth Long on each long side and one (459) Plinth on each short side and attach with four #8 x 1-3/4" Wood Screws per plinth. Rounded edges on top. (fig. 2.1, 2.2 and 2.3)

D: Repeat Steps A - C three more times to make four Post Assemblies.



Wood Parts

4 x (530) 6 x 9 Post 152.4 x 228.6 x 2336.8 mm (6 x 9 x 92")
 8 x (459) Plinth 23.8 x 133.4 x 200 mm (5/4 x 6 x 7-7/8")
 8 x (460) Plinth Long 23.8 x 133.4 x 276.2 mm (5/4 x 6 x 10-7/8")

Hardware

16 x #8 x 2-1/2" Wood Screw
 64 x #8 x 1-3/4" Wood Screw
 16 x #10 x 1-1/4" Pan Screw
 8 x Post Mount
 16 x 5/16" T-Nut
 16 x 5/16 x 1-1/2" Hex Bolt
 (with 5/16" lock washer, 1/4-5/16" large washer)

Step 3: Gable Beam Assembly

A: Connect one (535) Gable Beam to a second (535) Gable Beam using two 5/16 x 1-1/2" Hex Bolts (with 5/16" lock washer, 1/4-5/16" large washer and 5/16" t-nut) as shown in fig. 3.1 and 3.2.

B: Repeat Step A one more time to make two Gable Beam Assemblies.

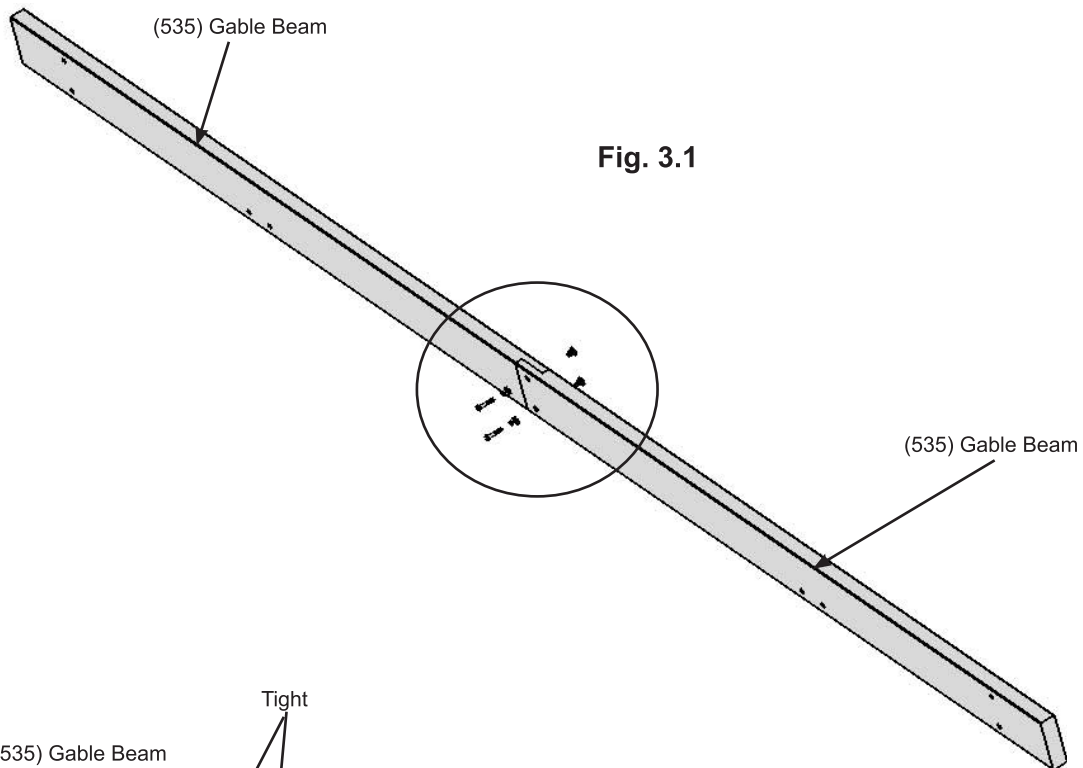
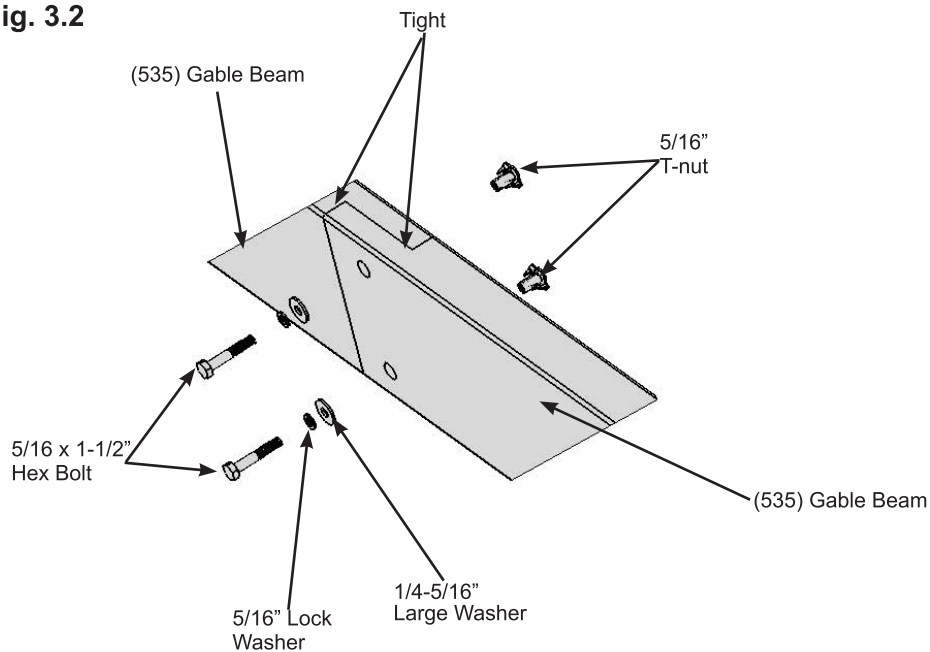


Fig. 3.2



Wood Parts

4 x (535) Gable Beam 38.1 x 139.7 x 1943.1 mm (1-1/2 x 5-1/2 x 76-1/2")

Hardware

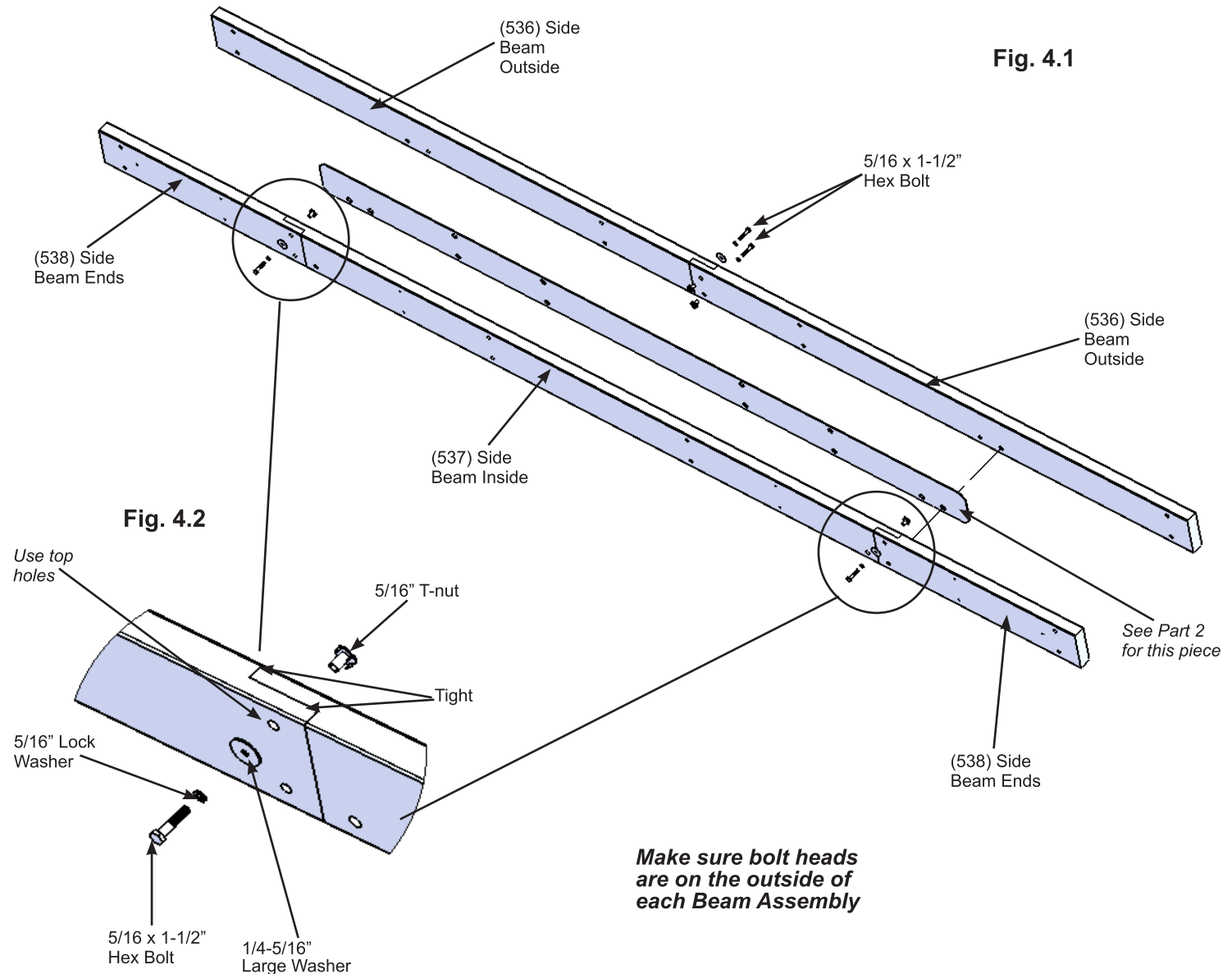
4 x 5/16 x 1-1/2" Hex Bolt
(5/16" lock washer, 1/4-5/16" large washer, 5/16" t-nut)

Step 4: Side Beam Assembly Part 1

A: Connect one (536) Side Beam Outside to a second (536) Side Beam Outside using two 5/16 x 1-1/2" Hex Bolts (with 5/16" lock washer, 1/4-5/16" large washer and 5/16" t-nut) as shown in fig. 4.1.

B: Connect one (538) Side Beam End to each end of one (537) Side Beam Inside using one 5/16 x 1-1/2" Hex Bolts (with 5/16" lock washer, 1/4-5/16" large washer and 5/16" t-nut) in the top holes per end as shown in fig. 4.1 and 4.2.

C: Repeat Steps A and B one more time to make two Side Beam Outside Assemblies and two Side Beam Inside Assemblies.



Wood Parts

- 4 x (536) Side Beam Outside 38.1 x 139.7 x 1803.4 mm (1-1/2 x 5-1/2 x 71")
- 2 x (537) Side Beam Inside 38.1 x 139.7 x 2223.4 mm (1-1/2 x 5-1/2 x 87-35-64")
- 4 x (538) Side Beam Ends 38.1 x 139.7 x 729.8 mm (1-1/2 x 5-1/2 x 28-47/64")

Hardware

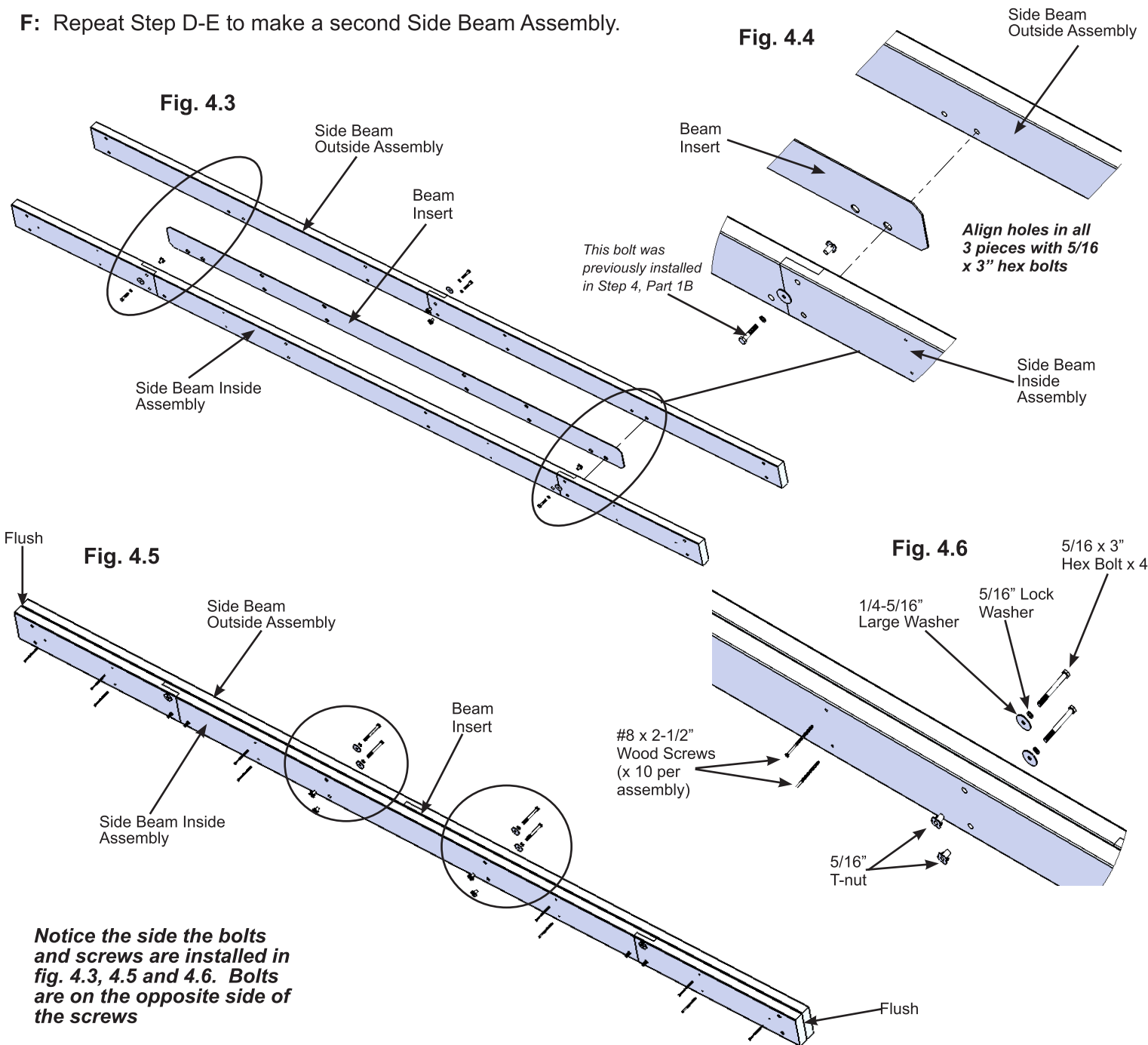
- 8 x 5/16 x 1-1/2" Hex Bolt (5/16" lock washer, 1/4-5/16" large washer, 5/16" t-nut)

Step 4: Side Beam Assembly Part 2

D: Place one Beam Insert in between one Side Beam Outside Assembly and one Side Beam Inside Assembly then fit tight together so the beam assembly ends are flush. Match the bolt holes and wood screw pilot holes in both beam assemblies and Beam Insert. (fig. 4.3, 4.4 and 4.5)

E: Attach beam assemblies and Beam Insert together with four 5/16 x 3" Hex Bolts (with 5/16" lock washer, 1/4-5/16" large washer and 5/16" t-nut) and ten #8 x 2-1/2" Wood Screws. (fig. 4.5 and 4.6)

F: Repeat Step D-E to make a second Side Beam Assembly.



Components:

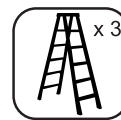
2 x Beam Insert

Hardware

20 x #8 x 2-1/2" Wood Screw

8 x 5/16 x 3" Hex Bolt
(5/16" lock washer, 1/4-5/16" large washer, 5/16" t-nut)

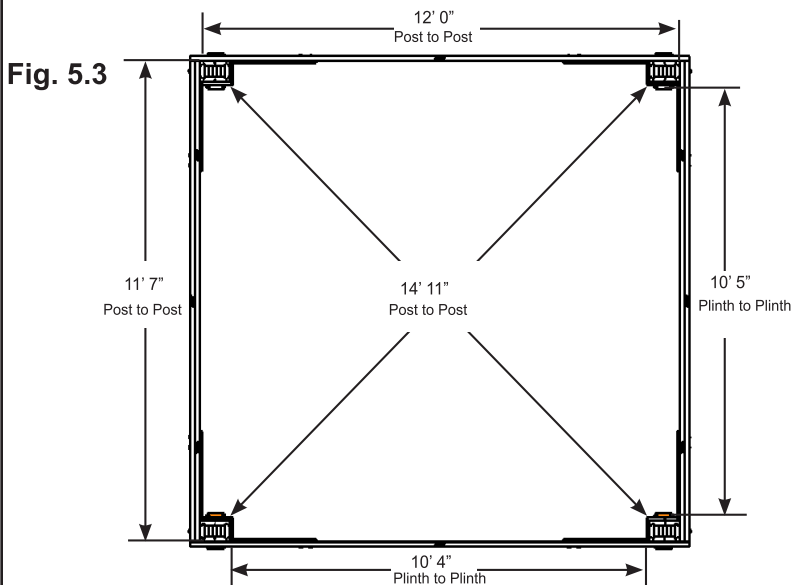
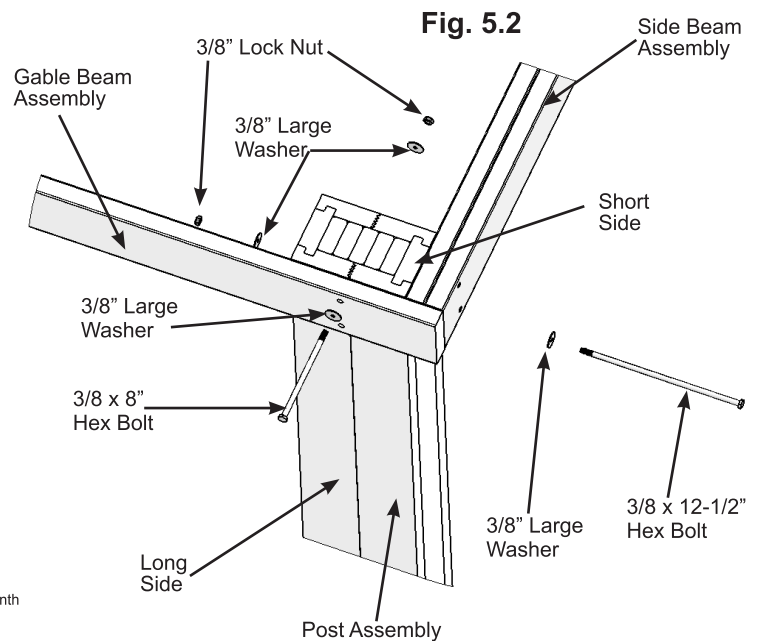
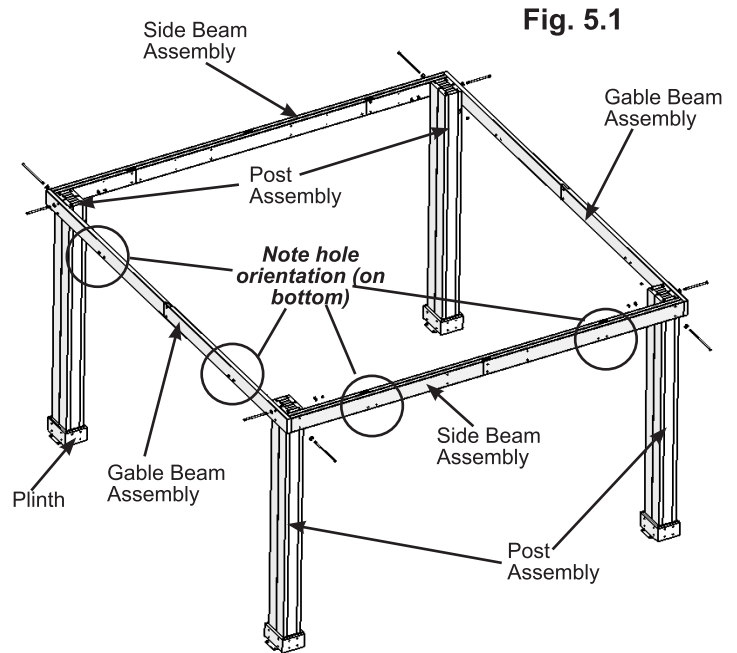
Step 5: Frame Assembly and Anchoring Part 1



A: Move your Post Assemblies to the final location. Make sure the ground is flat and level before continuing assembly.

B: With one person at each Post stand two complete Post Assemblies. A third person places one Side Beam Assembly against the outside of two Posts, flush to the tops and outside corners. Notice bolt hole orientation on the Side Beam Assembly and the short side of the Post Assembly is along the Side Beam Assembly. A fourth person attaches Beam to Post with one 3/8 x 12-1/2" Hex Bolt (with two 3/8" large washers and one 3/8" lock nut) per Post. The distance from the outside of one Post to the outside of the second Post should be 11' 7". (fig. 5.1, 5.2 and 5.3)

C: Place one Gable Beam Assembly against the outside of two Posts, flush to the tops and outside corners and tight to Side Beam Assembly. Notice bolt hole orientation on the Gable Beam Assembly and the long side of the Post Assembly is along the Gable Beam Assembly. Attach Beam to Post with one 3/8 x 8" Hex Bolt (with two 3/8" large washers and one 3/8" lock nut) per Post. The distance from the outside of one Post to the outside of the second Post should be 12'. Continue until all four Beam Assemblies are attached and the corners are tight together. (fig. 5.1 and 5.2) See fig. 5.3 for accurate positioning of Posts.



Hardware

- 4 x 3/8 x 8" Hex Bolt (3/8" large washer x 2, 3/8" lock nut)
- 4 x 3/8 x 12-1/2" Hex Bolt (3/8" large washer x 2, 3/8" lock nut)

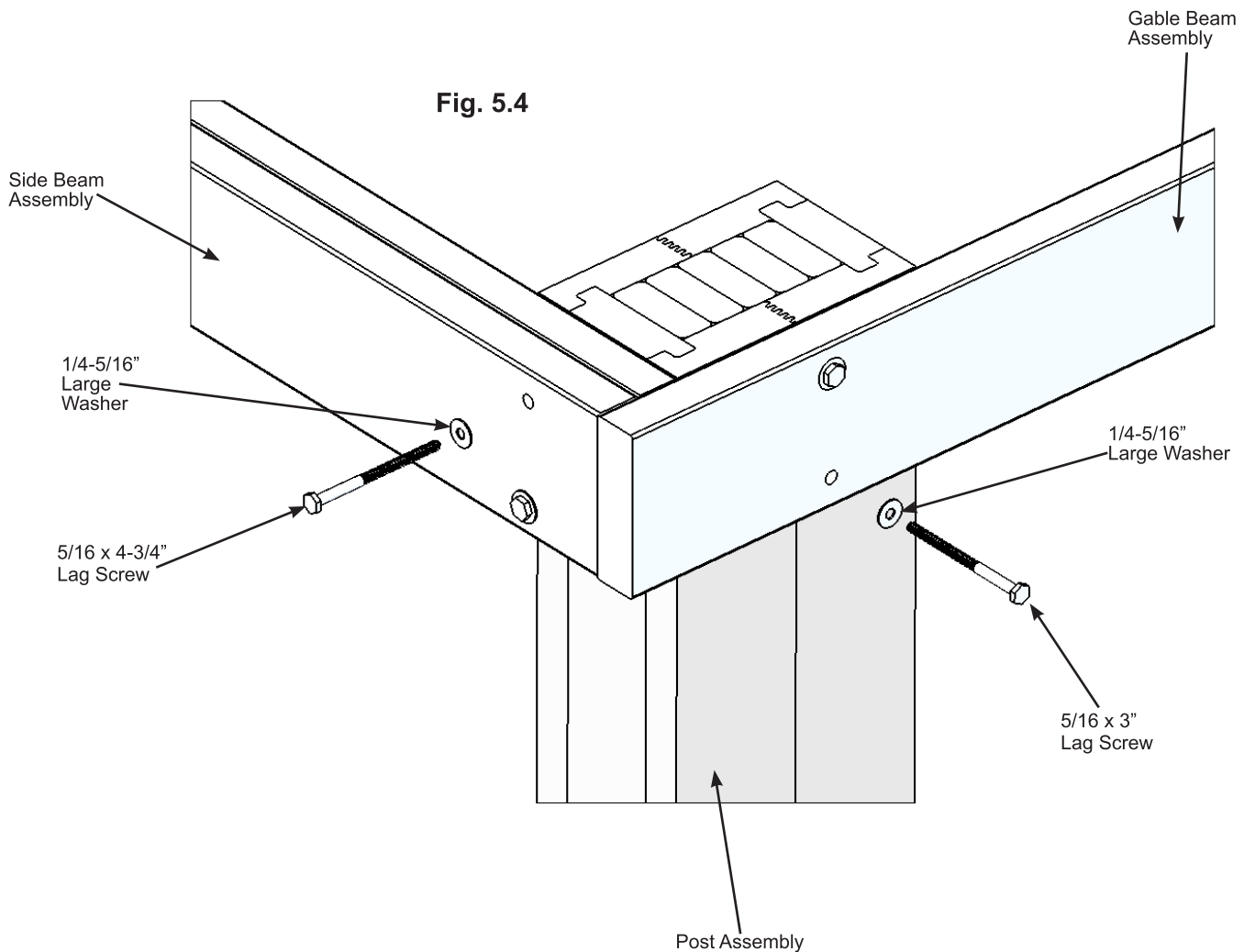
Step 5: Frame Assembly and Anchoring Part 2



E: Make sure each corner is square and level then attach Side Beam Assembly to Post Assemblies with one 5/16 x 4-3/4" Lag Screw (with 1/4-5/16" large washer) per corner and Gable Beam Assembly to Post Assemblies with one 5/16 x 3" Lag Screw (with 1/4-5/16" large washer) per corner as shown below. (fig. 5.4)

F: Depending on what you are placing the Pavilion on will determine how you anchor it to that surface. Please refer to pages 6 and 7 for installation examples.

Any hardware or extra materials for mounting will have to be purchased in advance.

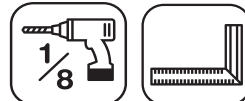


Hardware

4 x 5/16 x 4-3/4" Lag Screw (1/4-5/16" large washer)

4 x 5/16 x 3" Lag Screw (1/4-5/16" large washer)

Step 6: Attach Gussets



Note: The bevelled ends on each gusset should always face away from the wood it is attaching to.

A: Make sure the assembly is still square and level then facing one Side Beam Assembly place one (577) Right Gusset on the right hand side so the top fits tight to the Side Beam Assembly and the bottom fits tight to the Post Assembly. Attach gusset to Side Beam Assembly with two 5/16 x 3-3/4" Hex Bolts (with 5/16" lock washer, 1/4-5/16" large washer and 5/16" t-nut). Pre-drill with a 1/8" drill bit then attach gusset to Post Assembly with two 5/16 x 3" Lag Screws (with 1/4-5/16" large washer). Repeat for the left hand side with one (551) Left Gusset. (fig. 6.1 and 6.2)

B: Repeat Step A for Gable Beam Assembly using two 5/16 x 2-1/4" Hex Bolts (with 5/16" lock washer, 1/4-5/16" large washer and 5/16" t-nut) to attach gussets to Gable Beam Assembly. (fig. 6.1 and 6.2)

C: Repeat Steps A and B so all 8 gussets are attached. (fig. 6.1 and 6.2)

Fig. 6.1

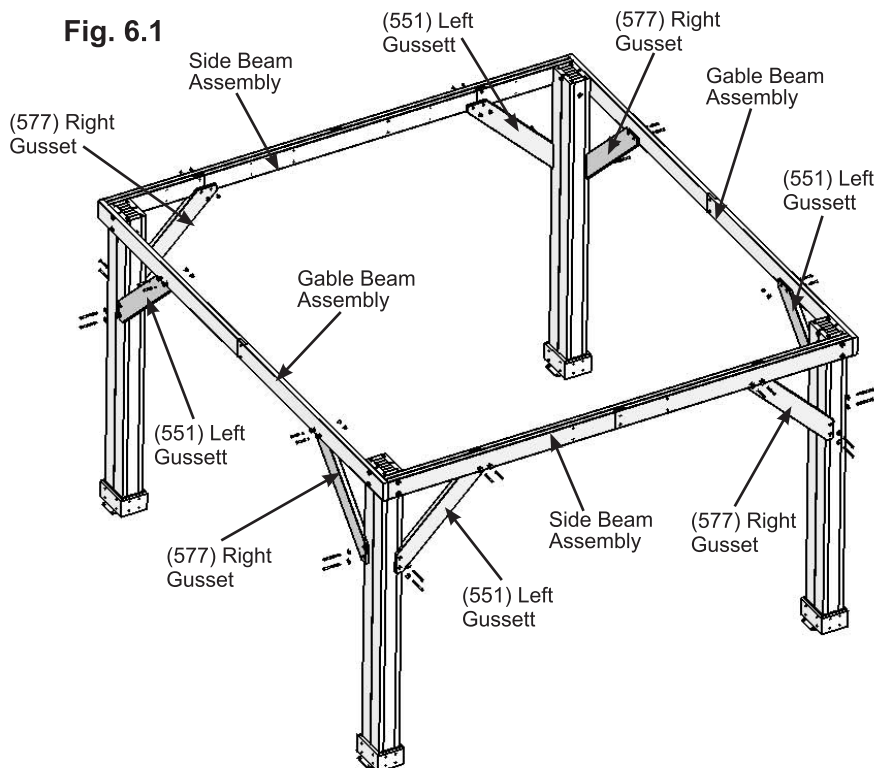
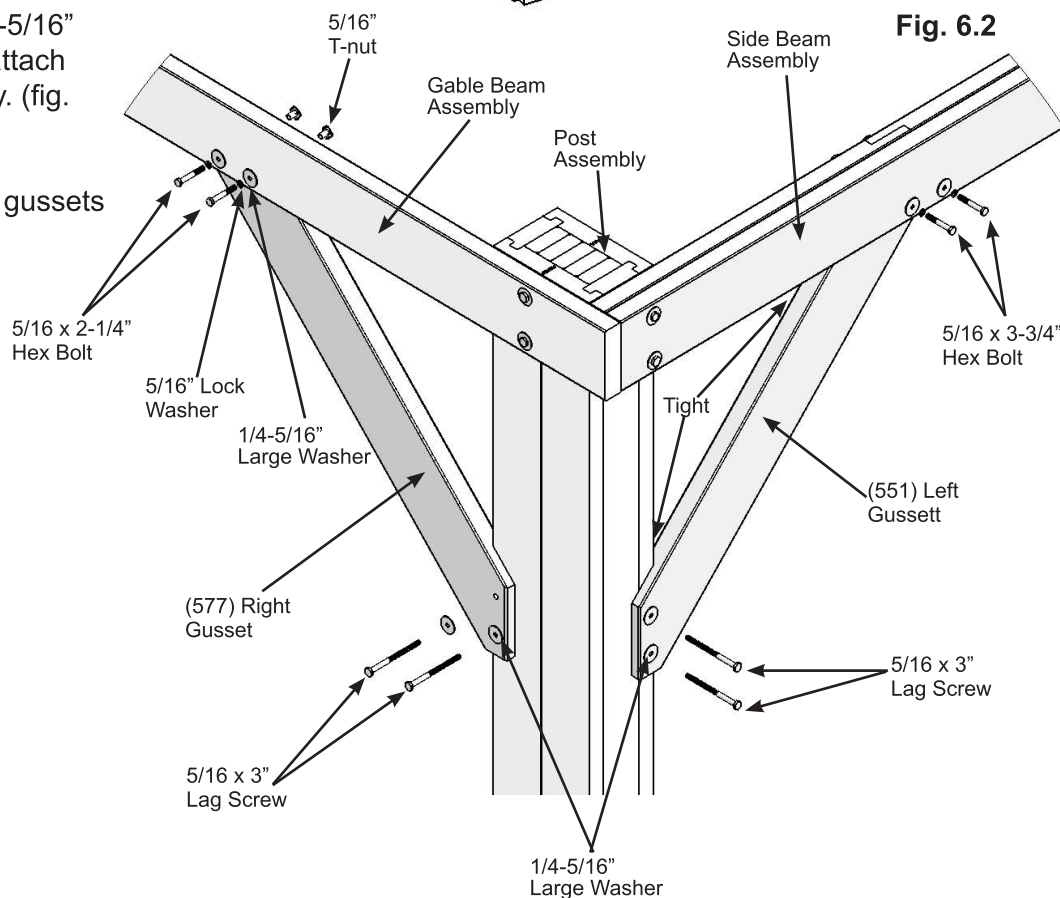


Fig. 6.2



Wood Parts

- 4 x (577) Right Gusset 38.1 x 139.7 x 1003.3 mm (1-1/2 x 5-1/2 x 39-1/2")
- 4 x (551) Left Gusset 38.1 x 139.7 x 1003.3 mm (1-1/2 x 5-1/2 x 39-1/2")

Hardware

- 16 x 5/16 x 3" Lag Screw (1/4-5/16" large washer)
- 8 x 5/16 x 3-3/4" Hex Bolt (5/16" lock washer, 1/4-5/16" large washer, 5/16" t-nut)
- 8 x 5/16 x 2-1/4" Hex Bolt (5/16" lock washer, 1/4-5/16" large washer, 5/16" t-nut)

Step 7: Gable Frame Assembly Part 1



A: Place one (549) Gable Inside against one Gable Beam Assembly, on the inside, tight to the top of (551) Left Gusset and (577) Right Gusset. The ends of (549) Gable Inside measures 17" from the Post Assemblies. Attach (549) Gable Inside to Gable Beam Assembly with eight #8 x 2-1/2" Wood Screws. (fig. 7.1, 7.2 and 7.3)

B: Repeat Step A for the other Gable Beam Assembly.

Fig. 7.1

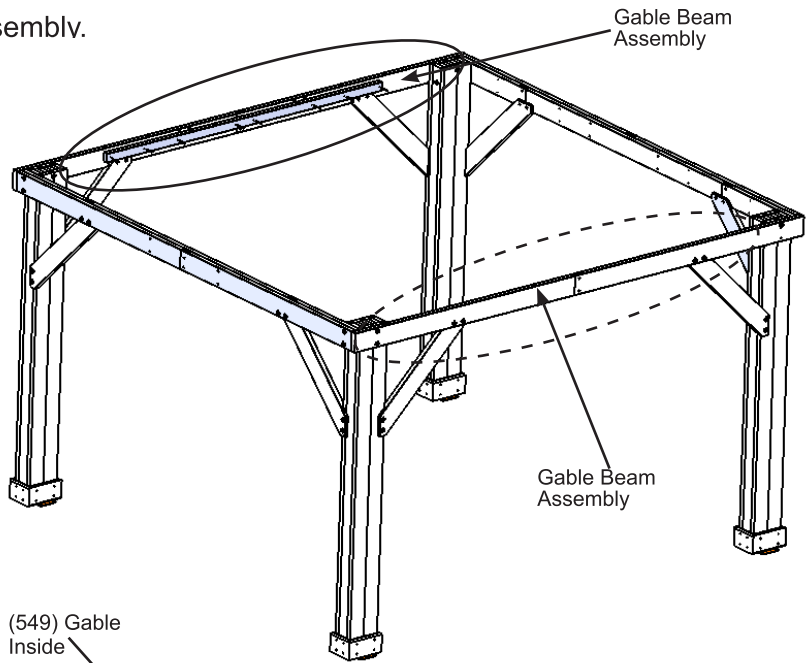


Fig. 7.2

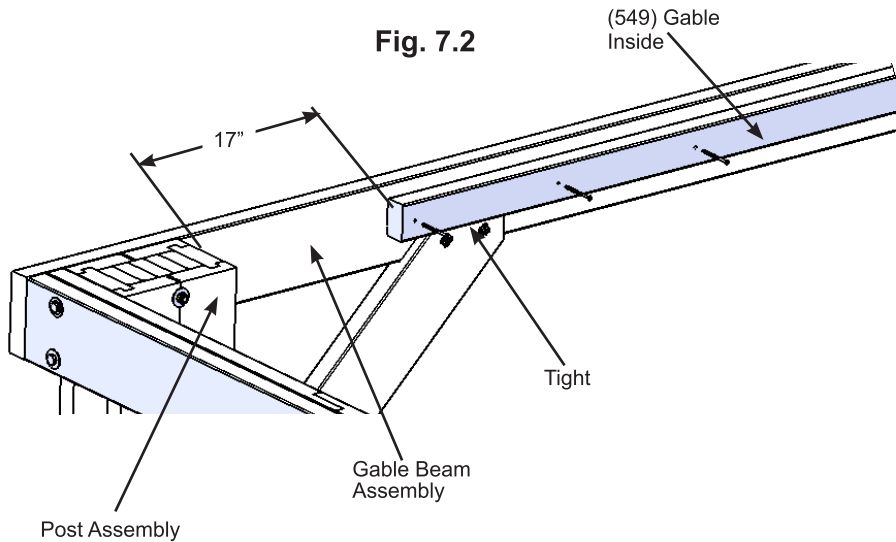
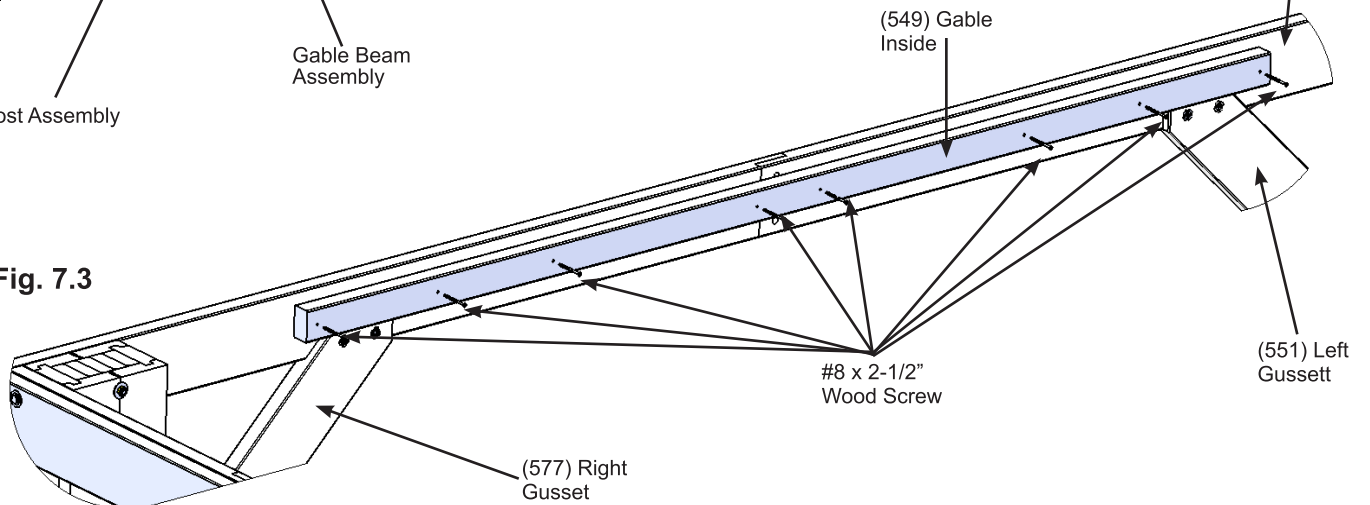


Fig. 7.3



Wood Parts

2 x (549) Gable Inside 38.1 x 63.5 x 2336.8 mm (1-1/2 x 2-1/2 x 92")

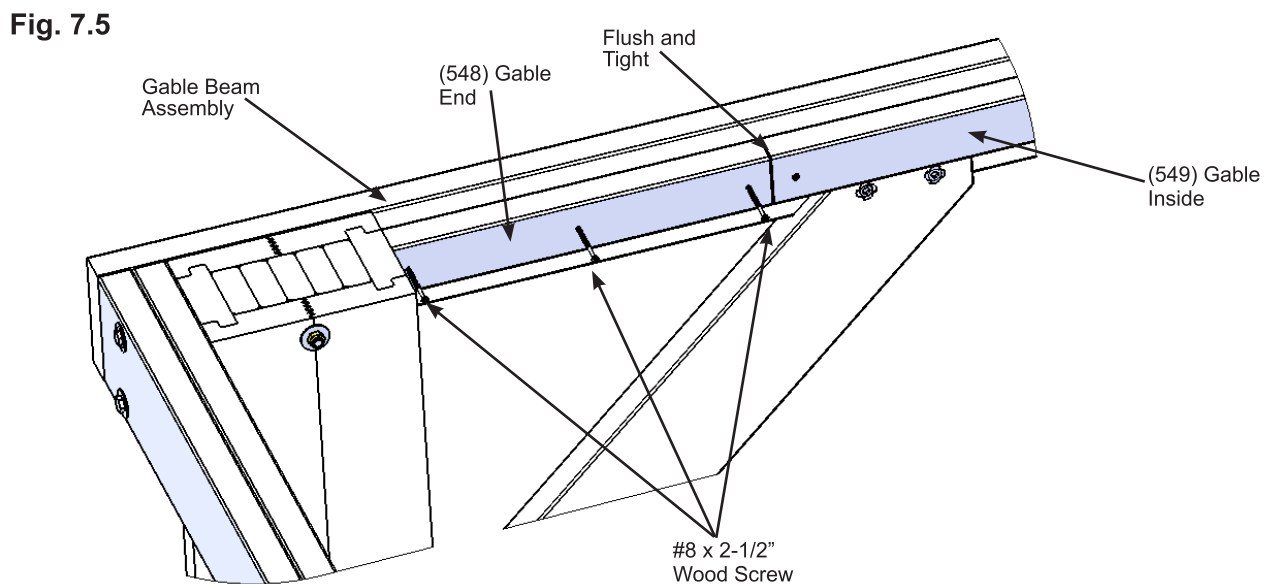
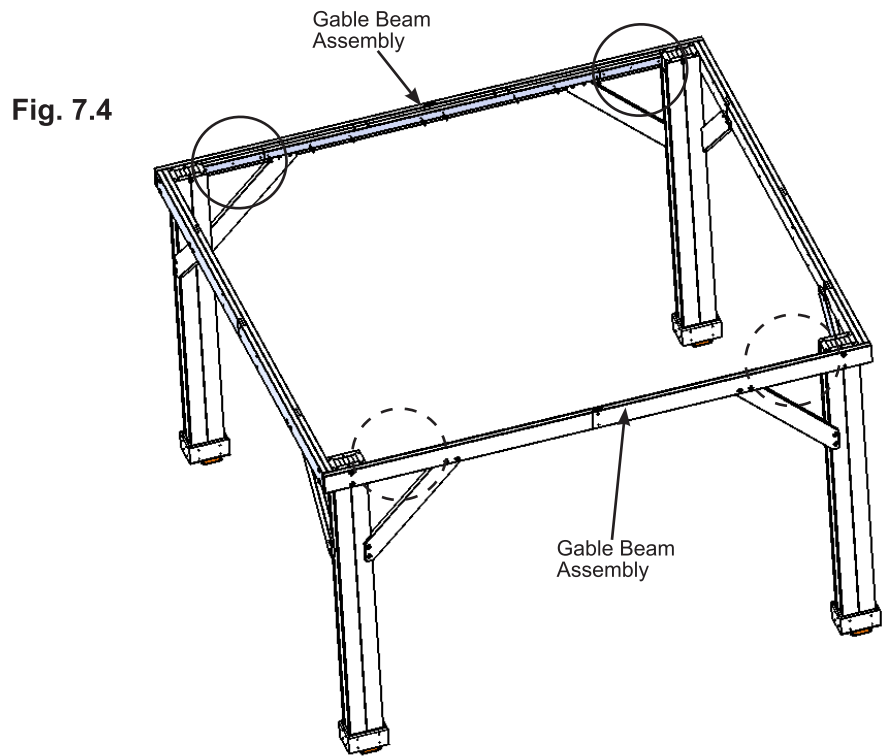
Hardware

16 x #8 x 2-1/2" Wood Screw

Step 7: Gable Frame Assembly Part 2

C: Tight to each end of one (549) Gable Inside attach one (548) Gable End to Gable Beam Assembly with three #8 x 2-1/2" Wood Screws. (548) Gable End should be flush to the top of (549) Gable Inside. (fig. 7.4 and 7.5)

D: Repeat Step C for the other Gable Beam Assembly.



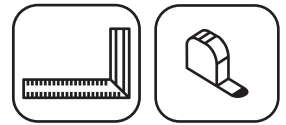
Wood Parts

4 x (548) Gable End 38.1 x 63.5 x 430 mm (1-1/2 x 2-1/2 x 16-15/16")

Hardware

12 x #8 x 2-1/2" Wood Screw

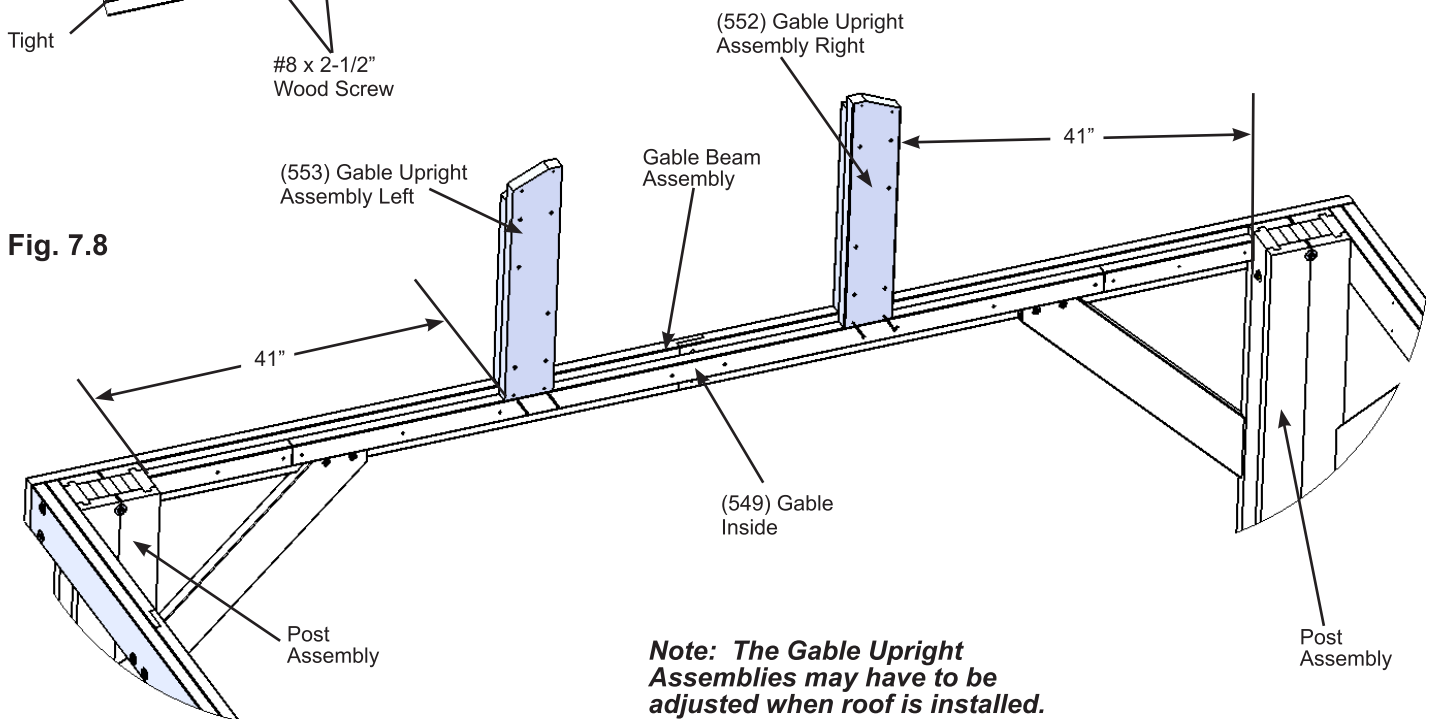
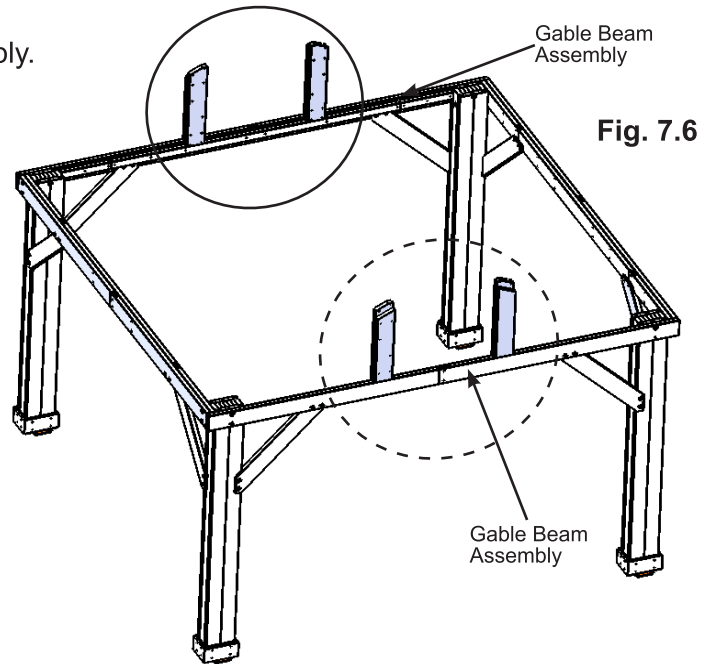
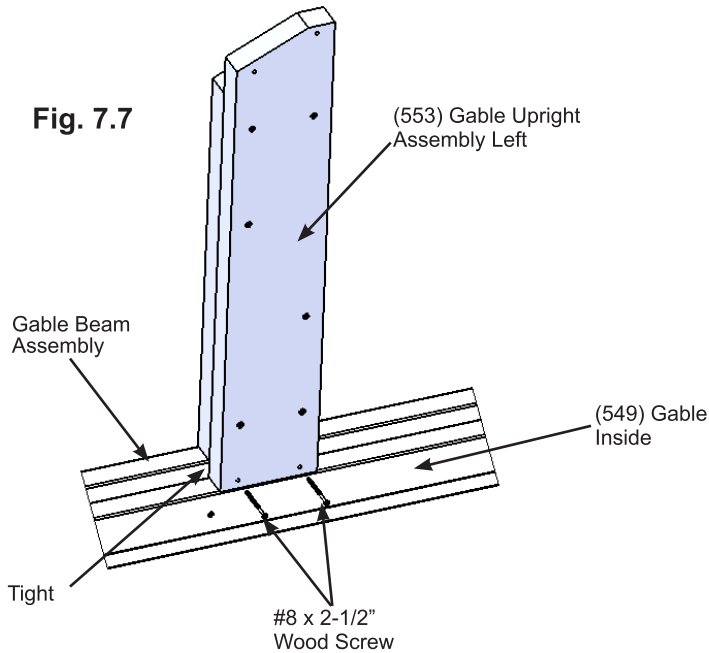
Step 7: Gable Frame Assembly Part 3



E: From the inside of the pavilion frame measure 41" from Post Assembly on the left then place one (553) Gable Upright Assembly Left tight to top of (549) Gable Inside and Gable Beam Assembly, make sure it is square then attach with two #8 x 2-1/2" Wood Screws. (fig. 7.6, 7.7 and 7.8)

F: From the inside of the pavilion frame measure 41" from Post Assembly on the right then place one (552) Gable Upright Assembly Right tight to top of (549) Gable Inside and Gable Beam Assembly, make sure it is square then attach with two #8 x 2-1/2" Wood Screws. (fig. 7.6 and 7.8).

G: Repeat Step E and F for the other Gable Beam Assembly.



Wood Parts

- 2 x (552) Gable Upright Assembly Right 76.2 x 139.7 x 717.4 mm (3 x 5-1/2 x 28-1/4")
- 2 x (553) Gable Upright Assembly Left 76.2 x 139.7 x 717.4 mm (3 x 5-1/2 x 28-1/4")

Hardware

- 8 x #8 x 2-1/2" Wood Screw

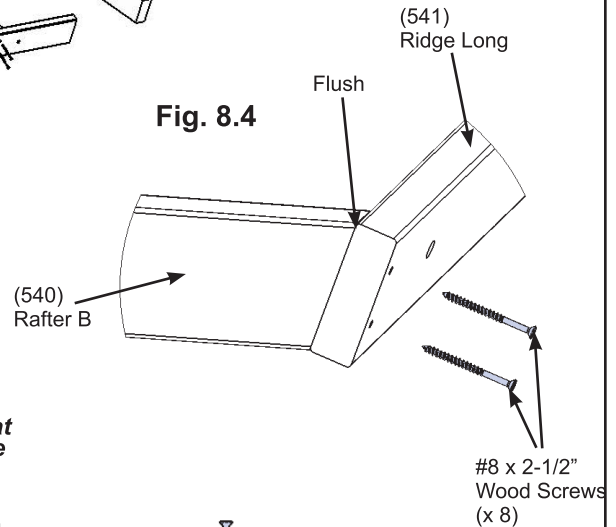
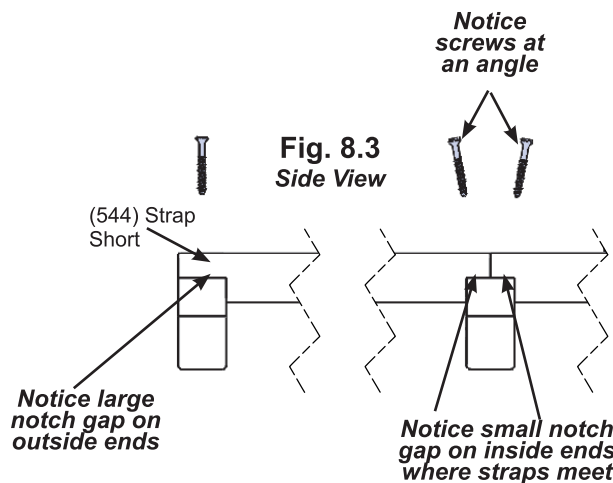
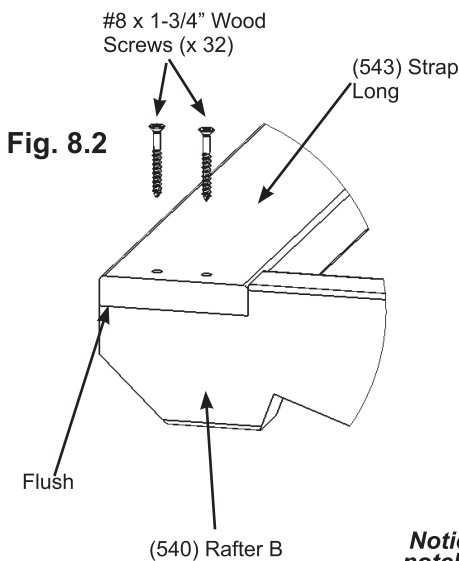
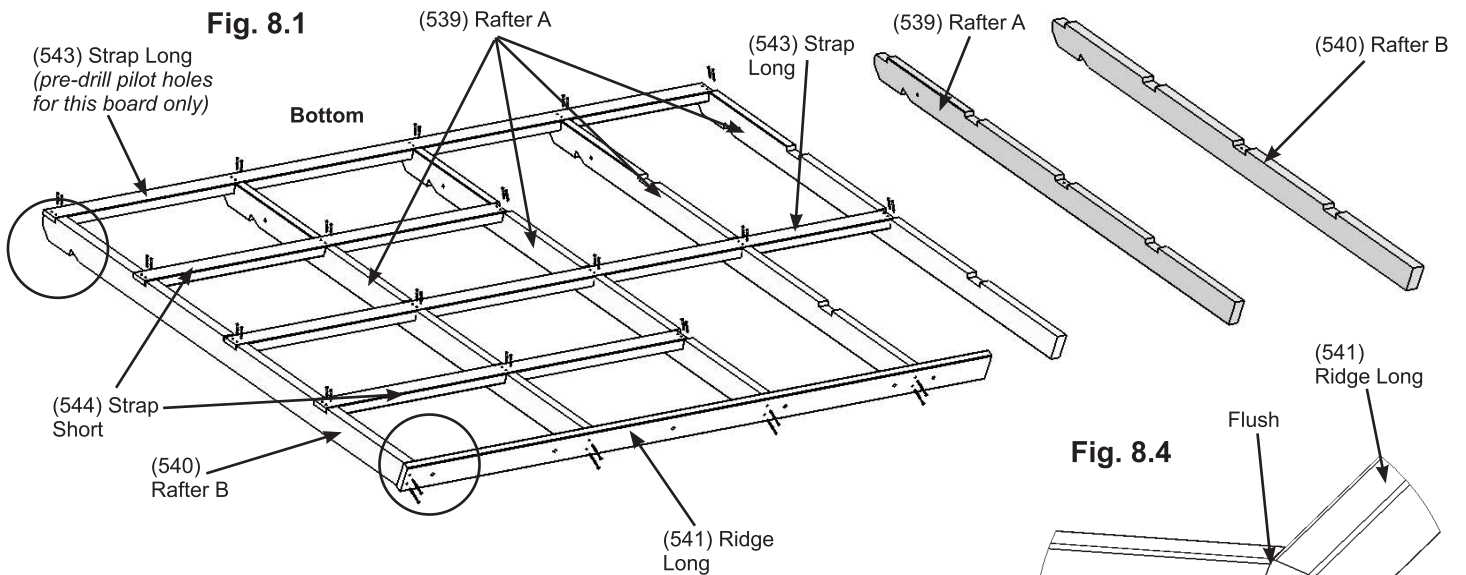
Step 8: Frame Roof Panel Part 1



A: Lay out five (539) Rafter As and two (540) Rafter Bs on a hard flat surface as shown in fig. 8.1. You will need lots of room for this step.

B: Place 1 (543) Strap Long on the bottom of the one (540) Rafter B, flush to the outside edge and four (539) Rafter As, centred on the last. Be sure the wider gap on (543) Strap Long is on (540) Rafter B. Follow by placing one (544) Strap Short then another (543) Strap Long and another (544) Strap Short in the same manner. Make sure the assembly is square, pre-drill the first (543) Strap Long with a 1/8" drill bit as shown below, then attach both (543) Strap Longs with ten #8 x 1-3/4" Wood Screws per board and to both (544) Strap Shorts with six #8 x 1-3/4" Wood Screws per board. The screws on the outside (539) Rafter A are inserted at an angle. (fig. 8.1, 8.2 and 8.3)

C: Place one (541) Ridge Long on the angled ends of the rafters so the outside edges are flush then attach with eight #8 x 2-1/2" Wood Screws. (fig. 8.1 and 8.4)



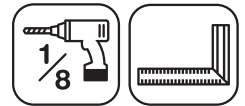
Wood Parts

- 10 x (539) Rafter A 31.8 x 88.9 x 2272.1 mm (1-1/4 x 3-1/2 x 89-29/64")
- 4 x (540) Rafter B 38.1 x 88.9 x 2272.1 mm (1-1/2 x 3-1/2 x 89-29/64")
- 4 x (544) Strap Short 31.8 x 76.2 x 1279.1 mm (1-1/4 x 3 x 50-23/64")
- 4 x (543) Strap Long 31.8 x 76.2 x 2326.9 mm (1-1/4 x 3 x 91-5/8")
- 2 x (541) Ridge Long 25.4 x 101.6 x 2065.3 mm (1 x 4 x 81-5/16")

Hardware

- 64 x #8 x 1-3/4" Wood Screw
- 16 x #8 x 2-1/2" Wood Screw

Step 8: Frame Roof Panel Part 2



D: Tight to each (543) Strap Long place one (544) Strap Short and tight to the first two (544) Strap Shorts place one (543) Strap Long. Make sure the wider gap on each strap is on the outside. Make sure the assembly is square, pre-drill the first (544) Strap Short with a 1/8" drill bit, as shown below, then attach both (544) Strap Shorts with six #8 x 1-3/4" Wood Screws per board and both (543) Strap Longs with ten #8 x 1-3/4" Wood Screws per board. The screws where the straps meet are inserted at an angle. (fig. 8.3 and 8.5)

E: Tight to (541) Ridge Long attach one (542) Ridge Short with six #8 x 2-1/2" Wood Screws. (fig. 8.4 and 8.5)

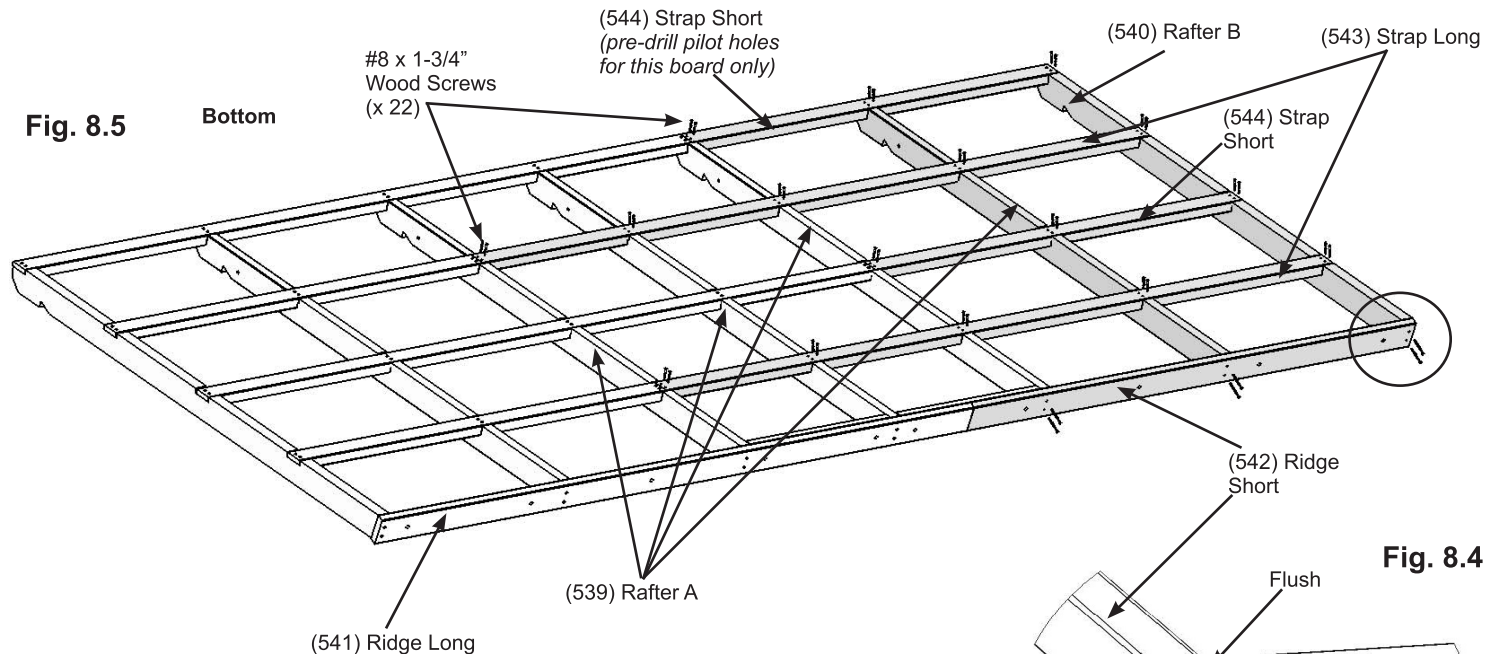


Fig. 8.5

Bottom

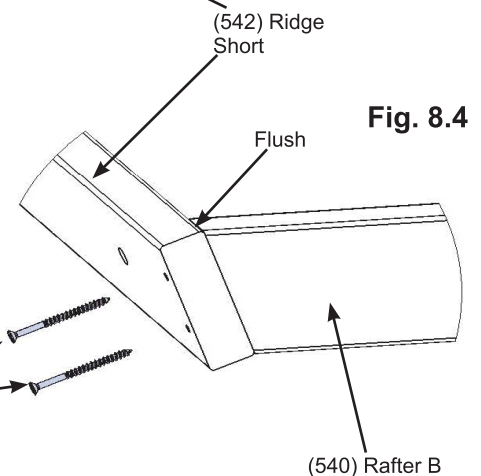
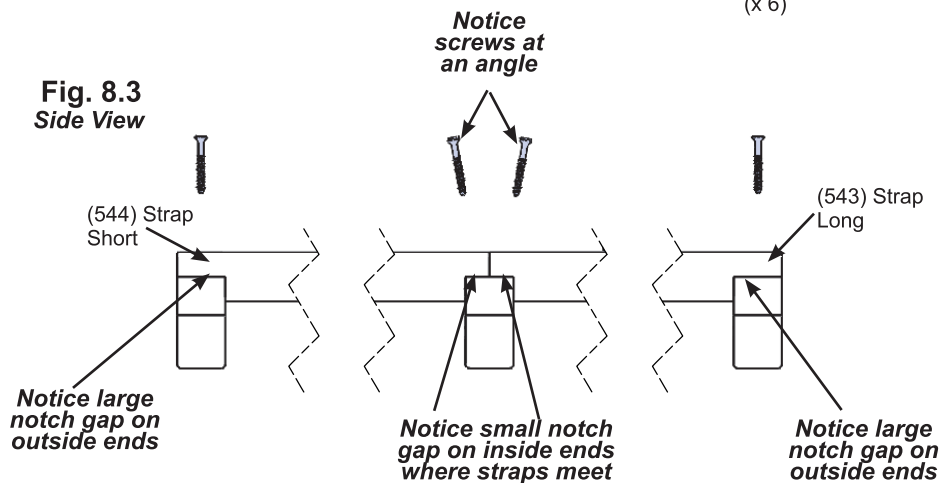


Fig. 8.4

Fig. 8.3
Side View



Wood Parts

- 4 x (544) Strap Short 31.8 x 76.2 x 1279.1 mm (1-1/4 x 3 x 50-23/64")
- 4 x (543) Strap Long 31.8 x 76.2 x 2326.9 mm (1-1/4 x 3 x 91-5/8")
- 2 x (542) Ridge Short 25.4 x 101.6 x 1541.4 mm (1 x 4 x 60-11/16")

Hardware

- 64 x #8 x 1-3/4" Wood Screw
- 12 x #8 x 2-1/2" Wood Screw

Step 8: Frame Roof Panel Part 3



F: Make sure frame is square. Measurements to be as shown in fig. 8.6.

G: In the two middle gaps between (539) Rafter As place one (545) Rafter Brace flush to the top of (542) Ridge Short and (541) Ridge Long. Use two 1/4 x 4-3/4" Hex Bolts per brace as a guide to line up the bolt holes. Attach (545) Rafter Braces to (469) Rafter Top Short and (467) Rafter Top with eight #8 x 1-3/4" Wood Screws per brace. Remove each Hex Bolt as they will be used in a later step and not installed here. *Note: Angle is at the top of (545) Rafter Brace* (fig. 8.6 and 8.7)

H: Repeat Steps A - G to create a second Roof Panel Frame.

Fig. 8.7

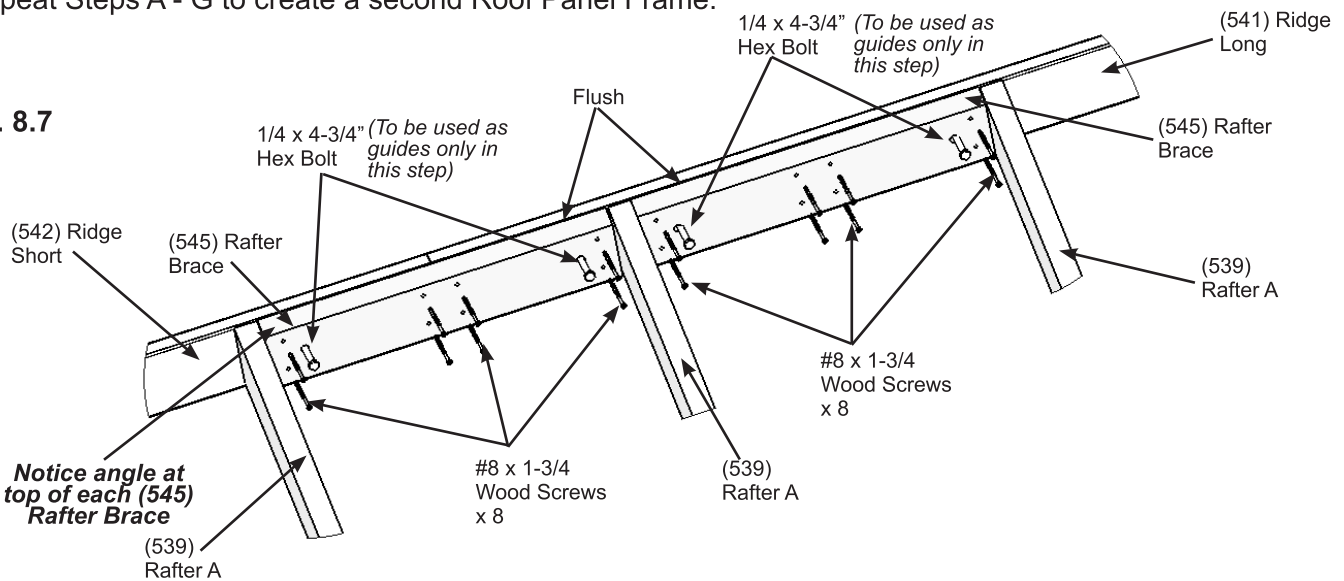
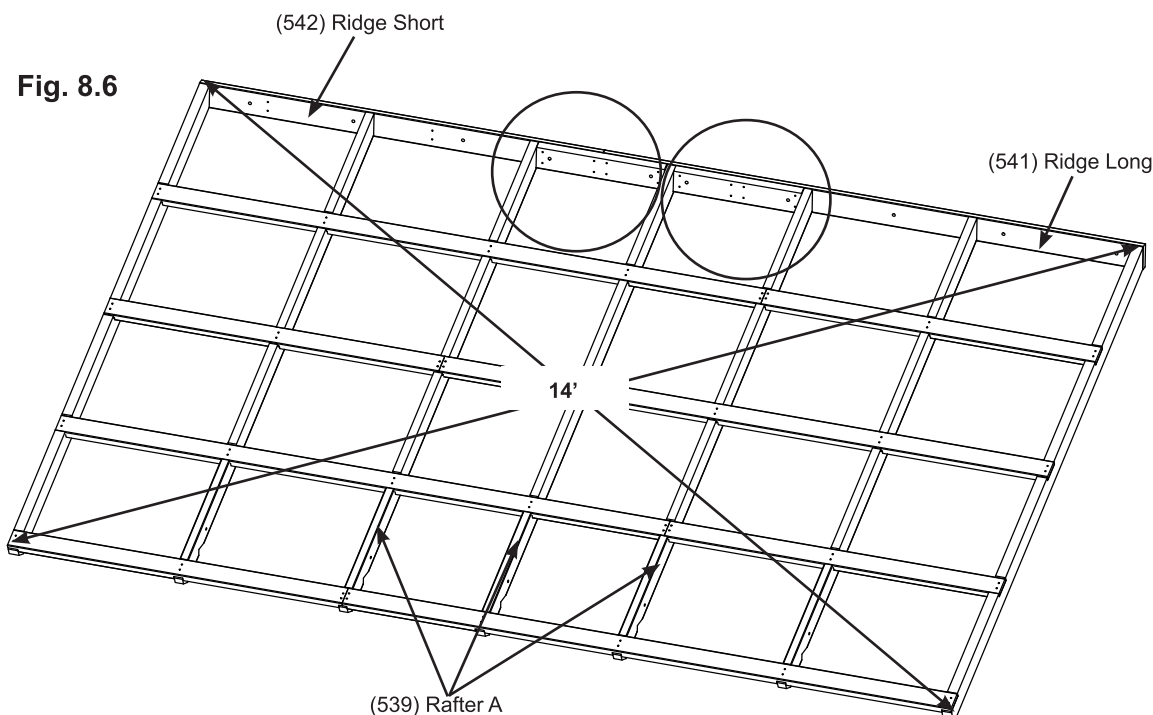


Fig. 8.6

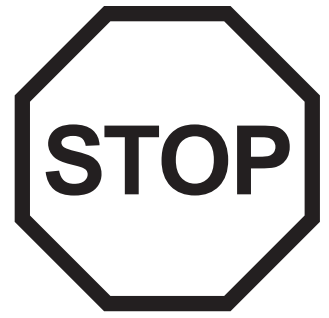
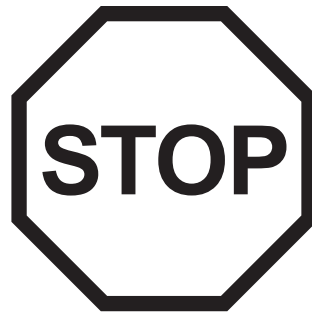


Wood Parts

4 x (545) Rafter Brace 25.4 x 101.6 x 489 mm (1 x 4 x 19-1/4")

Hardware

32 x #8 x 1-3/4" Wood Screw



INSTALLING ROOFING MATERIAL

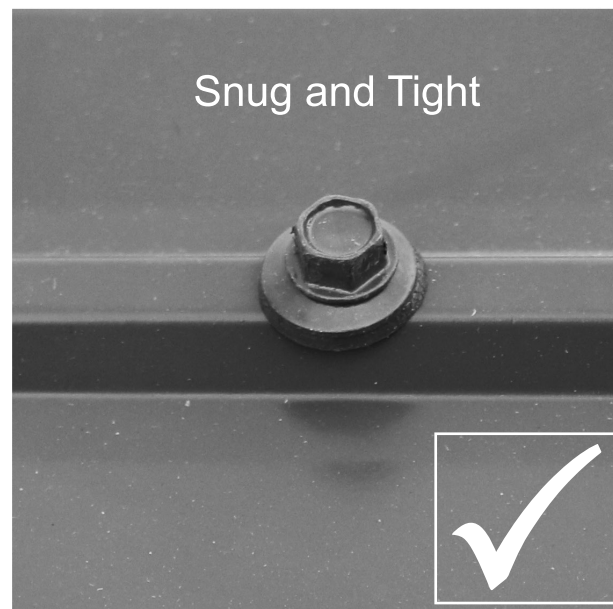
CAUTION!

Roofing material may have sharp edges! Wear gloves!

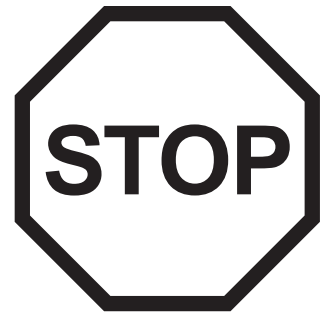
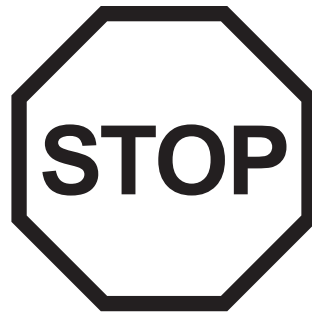
HANDLE WITH CARE!

Place roofing material on a non-abrasive surface before assembly as it can bend, dent and scratch easily.

**WARNING – DO NOT OVER TIGHTEN ROOFING SCREWS!
Over tightening screws will cause roofing material to crush.**



The roofing screws can easily crush the Roof Panels and Roof Edges when using a power drill. We recommend hand tightening the roofing screws so that they sit snug and tight to the roofing material.

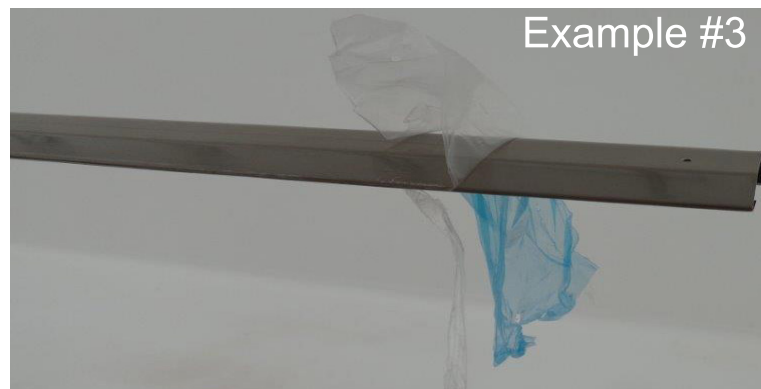
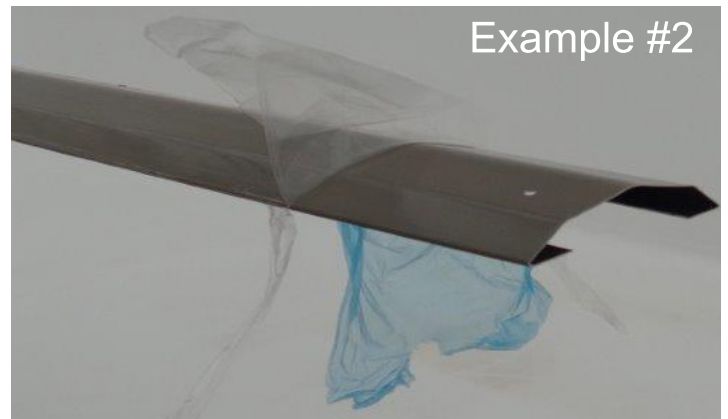
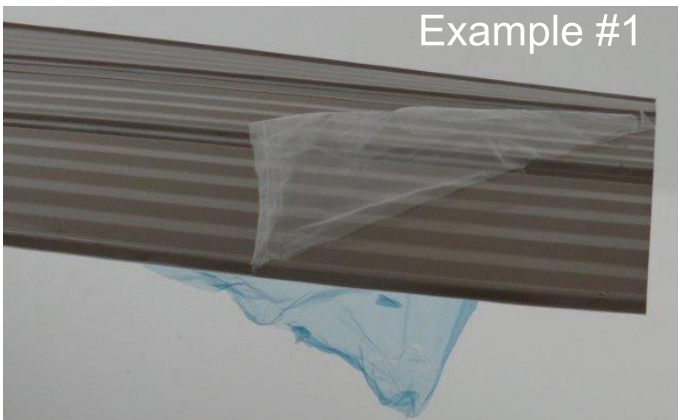


INSTALLING ROOFING MATERIAL

CAUTION!

Roofing material may have sharp edges! Wear gloves!

BE SURE TO REMOVE ALL PLASTIC COVERING, ON BOTH SIDES OF THE ALUMINUM PANELS AND TRIM, DIRECTLY BEFORE INSTALLING EACH PIECE. *(One side is clear and the other is blue, both must be removed.)*



Step 9: Attach Roof Panels Part 1



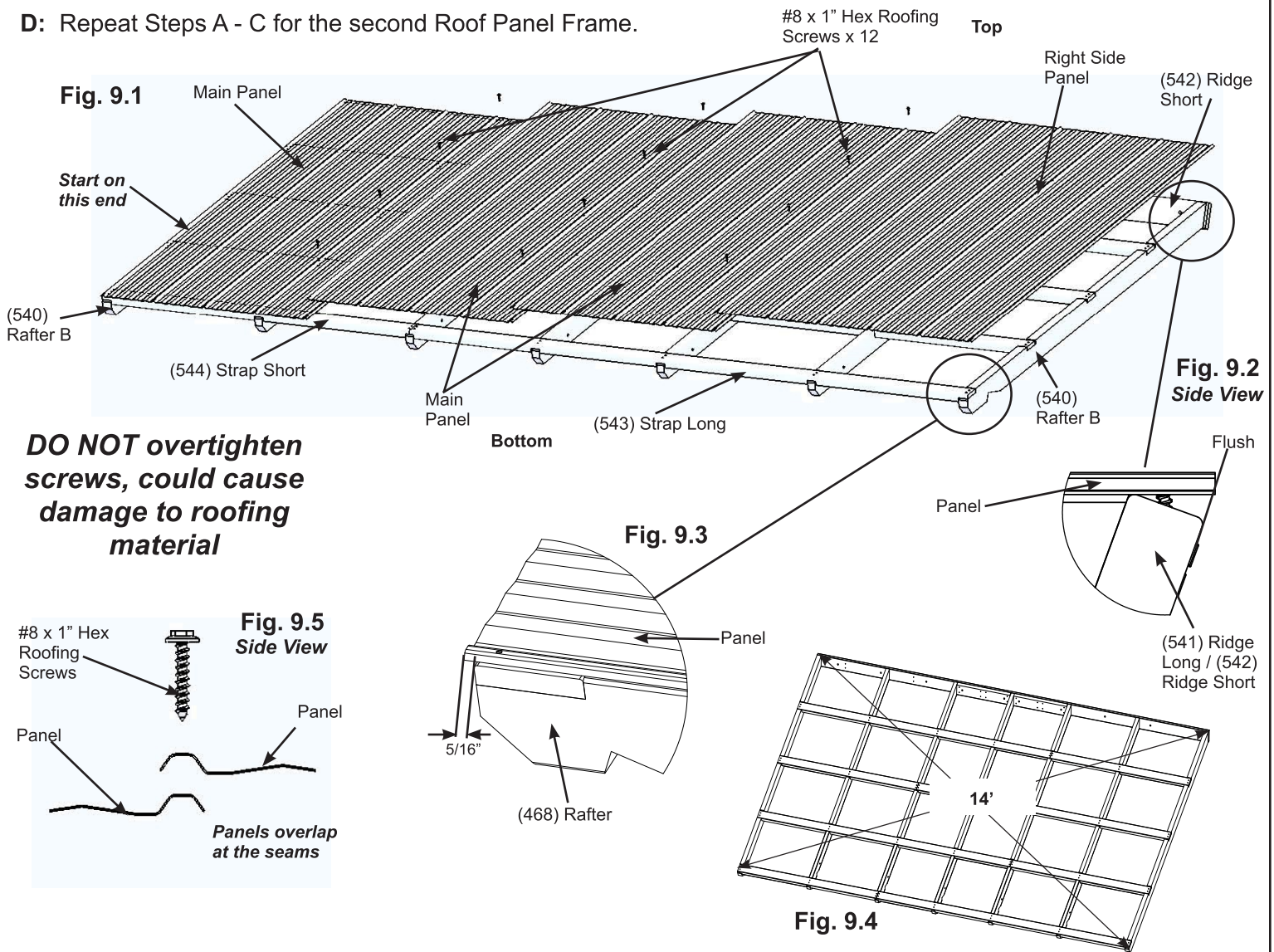
Note: Be sure to remove all plastic covering on both sides of the metal panels directly before installing each piece.

A: Make sure panel is still square then on one Roof Panel Frame place one Main Panel flush to the top and sides of the outside (540) Rafter B. Panels should be flush to the top of the (541) Ridge Long and (542) Ridge Short. There will be approximately a 5/16" overhang at the bottom. There are no holes on the ribs at the top of the panels. (fig. 9.1, 9.2, 9.3 and 9.4)

B: Place two more Main Panels beside the first then lastly one Right Side Panel so the panels overlap and screw holes line up as shown below. (fig. 9.1 and 9.5)

C: Attach all four Panels to Roof Panel Frame using twelve #8 x 1" Hex Roofing Screws in locations shown in fig. 9.1. Do not install screws to the outside (544) Strap Short and (543) Strap Long. Be sure not to overtighten screws.

D: Repeat Steps A - C for the second Roof Panel Frame.



Roof Panel Set:

- 6 x Main Panel
- 2 x Right Side Panel

Hardware

- 24 x #8 x 1" Hex Roofing Screw

Step 9: Attach Roof Panels Part 2



E: Place one Roof Edge Left and one Roof Edge Right on the bottom of each Roof Panel Frame so they meet tight and the ends are flush with the outside ends of (544) Short Strap and (543) Long Strap. Pre-drill the two end holes with a 1/8" drill bit then attach both Roof Edges with 18 #8 x 1" Hex Roofing Screws. (fig. 9.6 and 9.7)

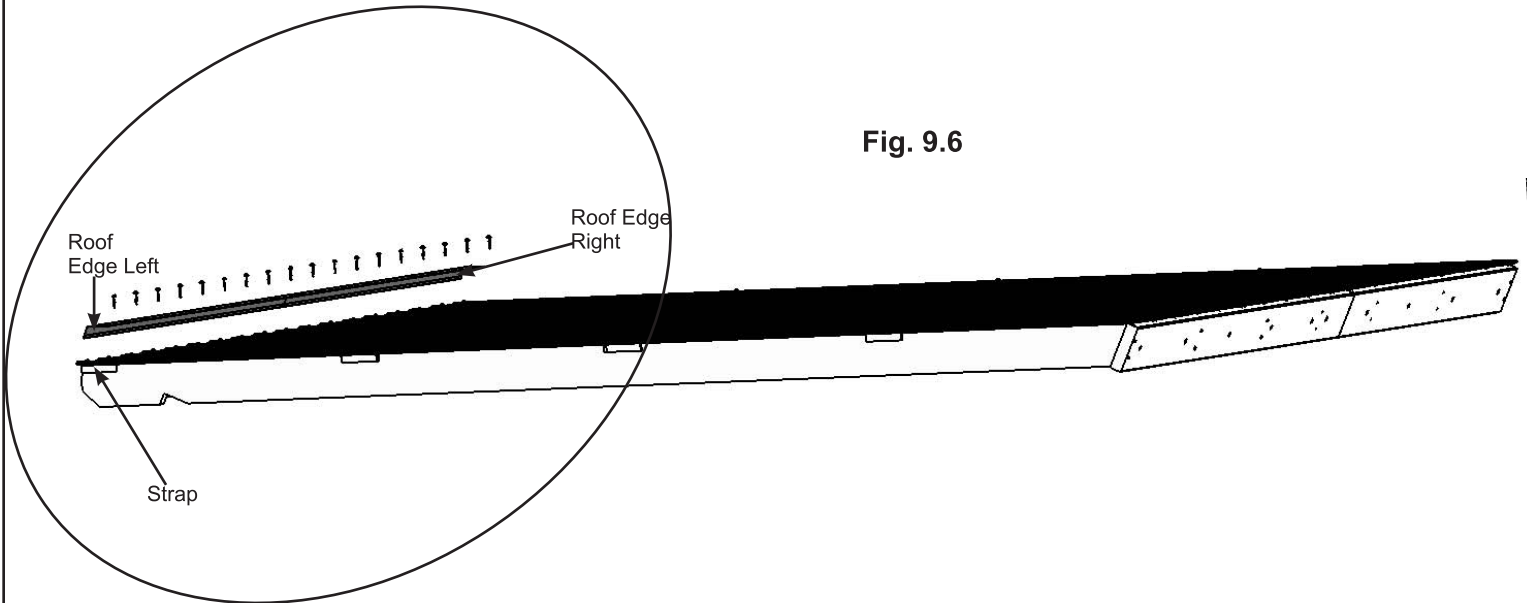


Fig. 9.6

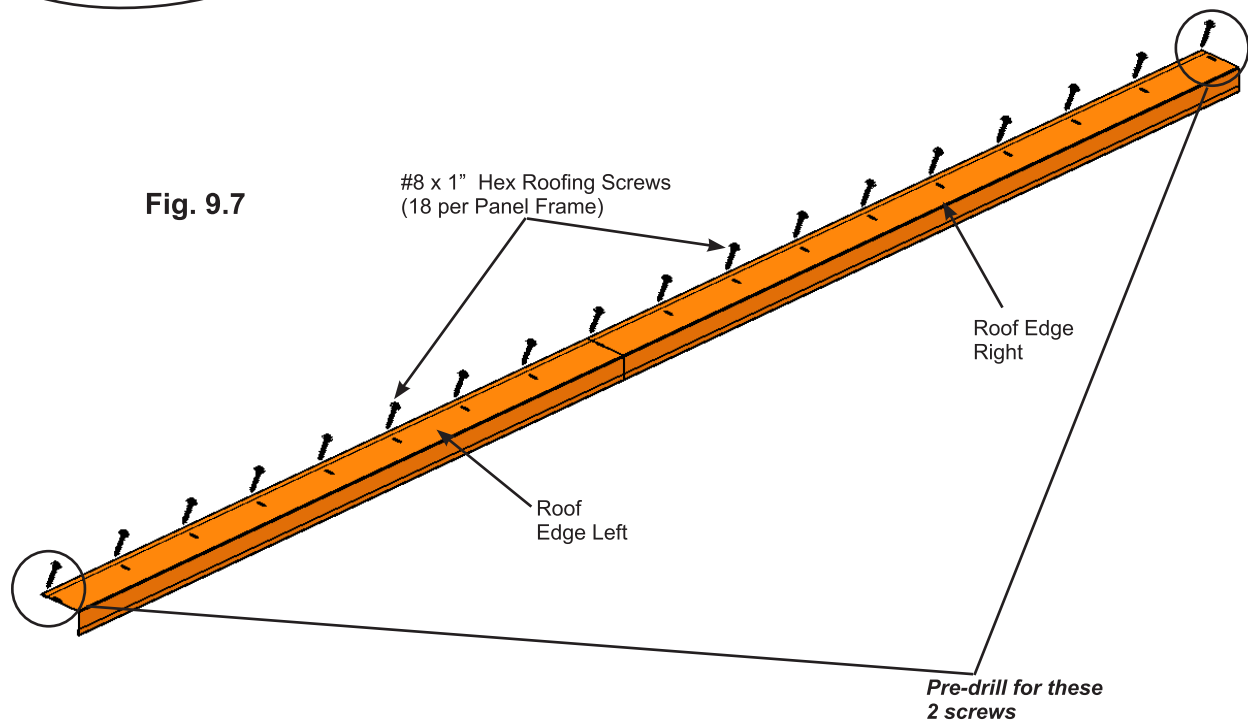


Fig. 9.7

Components

- 2 x Roof Edge Left
- 2 x Roof Edge Right

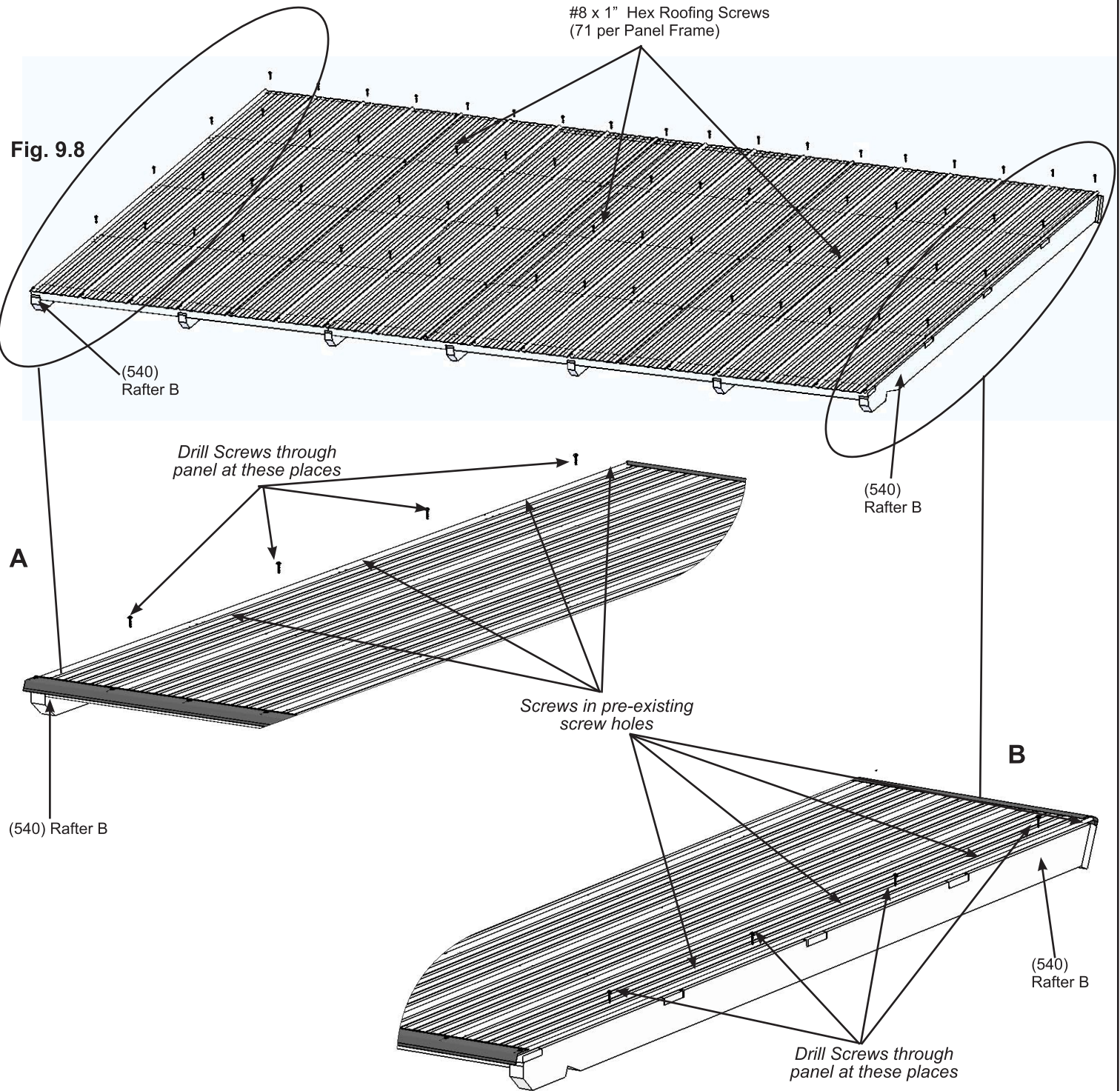
Hardware

- 36 x #8 x 1" Hex Roofing Screw

Step 9: Attach Roof Panels

Part 3

F: Attach the three Main Panels and one Right Side Panel to one Roof Panel Frame using 63 #8 x 1" Hex Roofing Screws as shown in fig. 9.8. On the outside (540) Rafter Bs, in between the screw holes, four additional screws are to be inserted through the panels in the spaces indicated below (see A and B). Be sure not to overtighten screws.



Hardware

142 x #8 x 1" Hex Roofing Screw

Step 9: Attach Roof Panels Part 4



G: Place Weather Seal on the inside of two Ridge Clip Short then place one Ridge Clip Short flush to each side of Roof Panel Frame and 3-1/4" up from the bottom of (541) Ridge Long and (542) Ridge Short, make sure not to compress Weather Seal. Attach with four #7 x 3/4" Wood Screws per Ridge Clip Short. Ridge Clip Shorts must cover the Roof Panels. (fig. 9.9, 9.10, 9.11 and 9.12)

H: Place Weather Seal on the inside of one Ridge Clip then place Ridge Clip in between both Ridge Clip Shorts. 3-3/8" up from the bottom of (541) Ridge Long and (542) Ridge Short. Ridge Clip must cover the Roof Panels. Do not compress Weather Seal. Attach with seven #7 x 3/4" Wood Screws. (fig. 9.9, 9.10, 9.11 and 9.12)

I: Repeat Steps E - H for the second Roof Panel Frame.

Fig. 9.9

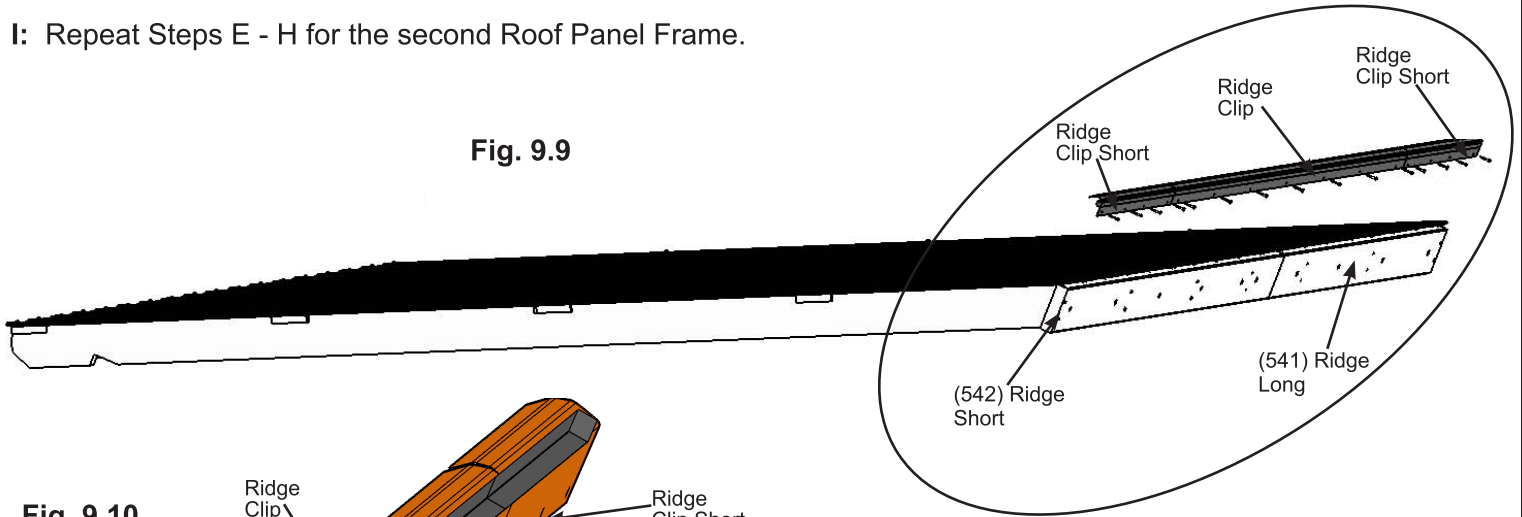


Fig. 9.10

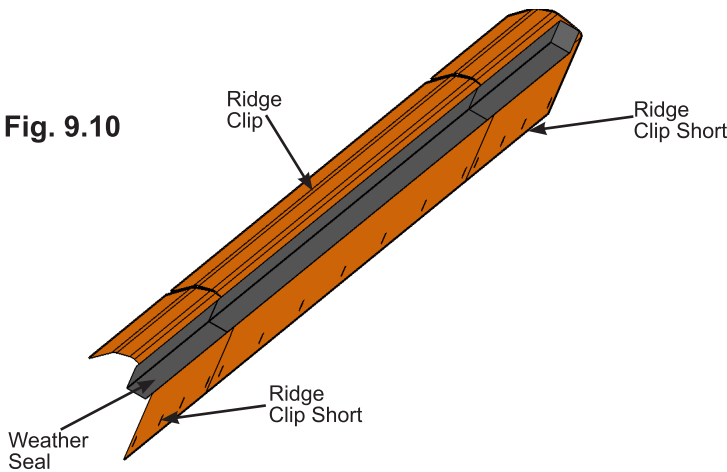


Fig. 9.11

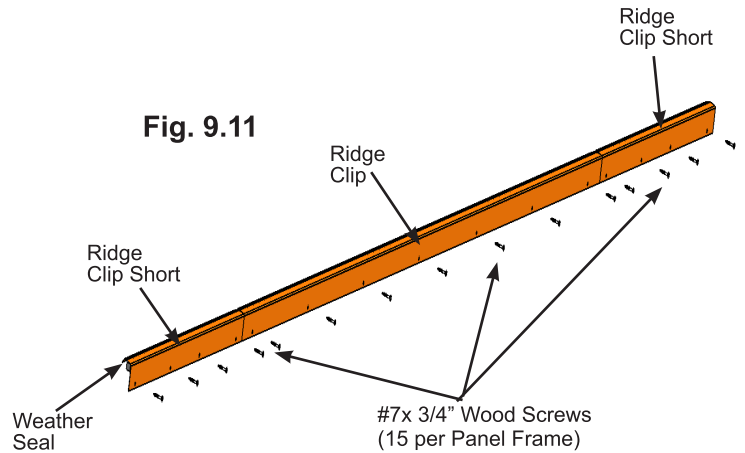
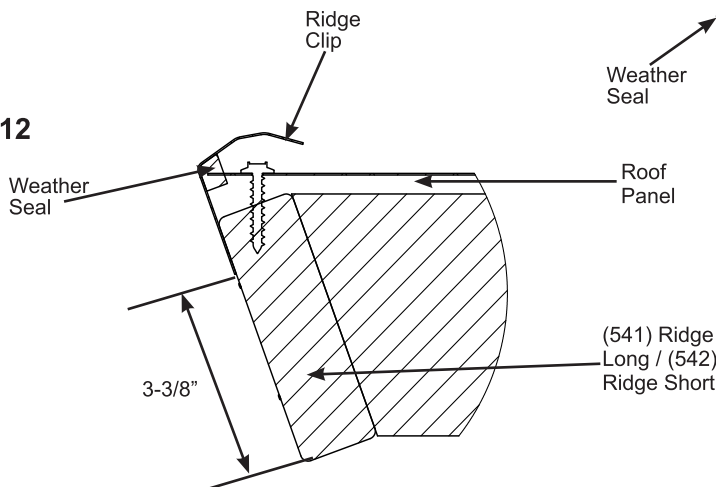


Fig. 9.12



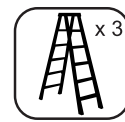
Components

- 2 x Ridge Clip
- 4 x Ridge Clip Short
- 6 x Weather Seal

Hardware

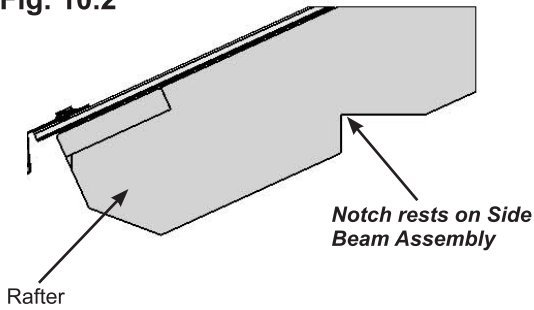
- 30 x #7 x 3/4" Wood Screw

Step 10: Attach Roof Panels to Frame Part 1



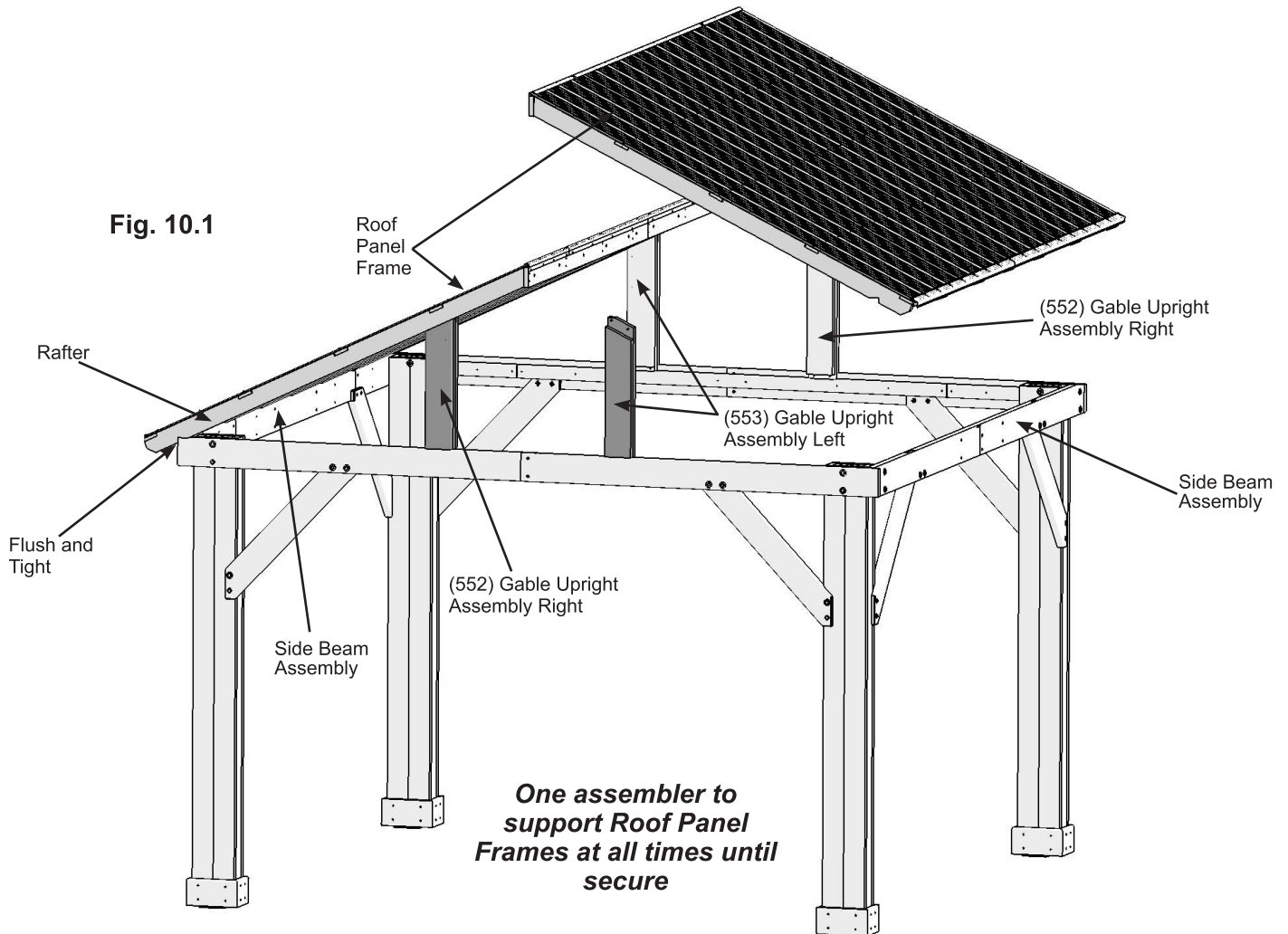
A: With four assemblers lift one Roof Panel Frame up and over the pavilion frame so it rests on (552) Gable Upright Assembly Right and (553) Gable Upright Assembly Left. The notches in the rafters sit tight on the Side Beam Assemblies. Lift the second Roof Panel Frame up and over the pavilion frame to the two Roof Panel Frames are tight together and notches are tight to Side Beam Assemblies. **One assembler must remain on a ladder to hold Roof Panel Frame in place until secured.** (fig. 10.1 and 10.2)

Fig. 10.2

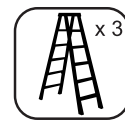


Note: The Gable Upright Assemblies may have to be adjusted to make roof sit properly.

Fig. 10.1



Step 10: Attach Roof Panels to Frame Part 2



B: From inside the assembly attach the two Roof Panel Frames together through each (545) Rafter Brace with four 1/4 x 4-3/4" Hex Bolts (with two 1/4-5/16" large washer and one 1/4" lock nut) and through (541) Ridge Longs and (542) Ridge Shorts with six 1/4 x 2-3/4" Hex Bolt (with two 1/4-5/16" large washer and one 1/4" lock nut). (fig. 10.3, 10.4 and 10.5)

Fig.10.3

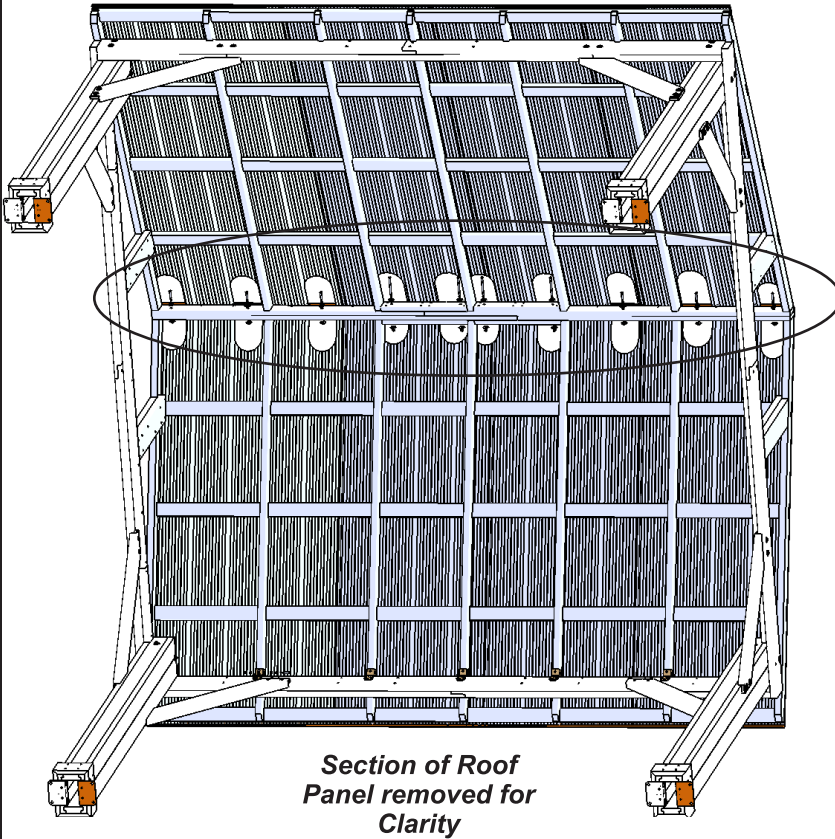


Fig. 10.5

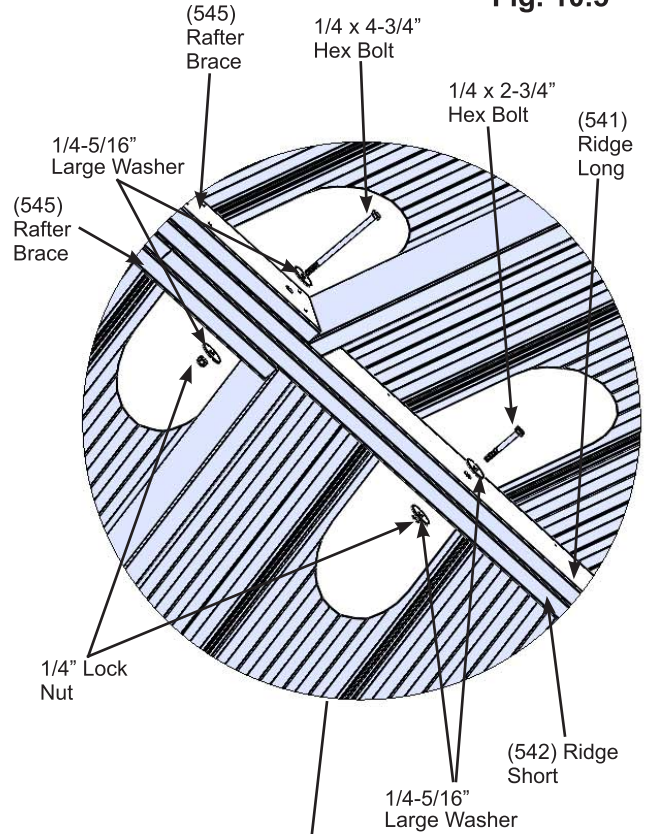
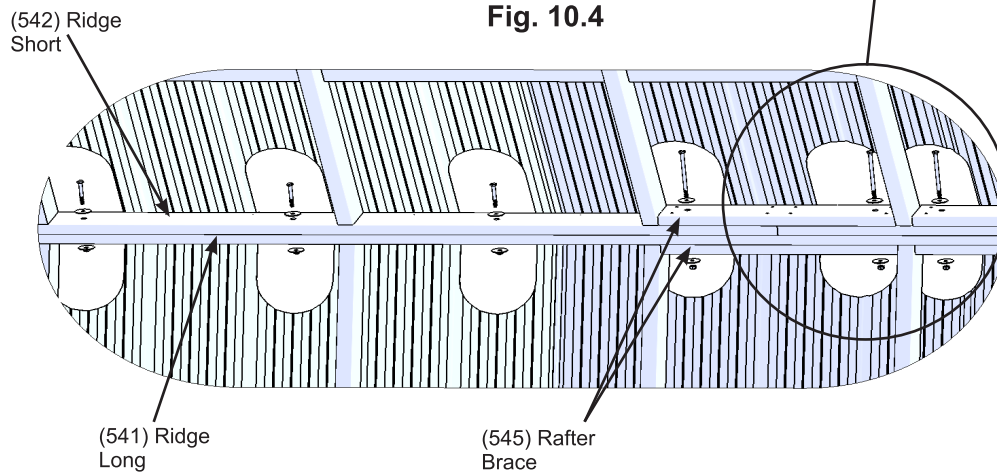


Fig. 10.4

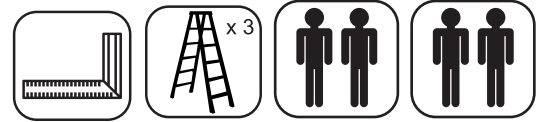


Hardware

4 x 1/4 x 4-3/4" Hex Bolt
(1/4-5/16" large washer x 2, 1/4" lock nut)

6 x 1/4 x 2-3/4" Hex Bolt
(1/4-5/16" large washer x 2, 1/4" lock nut)

Step 10: Attach Roof Panels to Frame Part 3



C: Loosely attach each of the (539) Rafter As to the inside of each Side Beam Assembly with one Rafter to Beam Bracket per rafter using one 1/4 x 2" Hex Bolt (with two 1/4-5/16" large washer and one 1/4" lock nut) per bracket. Push up on the centre of the Roof Panels so the notches in the rafters are tight to the Side Beam Assembly then attach five #10 x 1-1/4" Pan Screws per bracket. Once screws are installed tighten bolts. (fig. 10.7, 10.8 and 10.9)

D: From inside the assembly make sure the Gable Uprights are still square then attach each (552) Gable Upright Assembly Right and (553) Gable Upright Assembly Left to rafters with two #8 x 2-1/2" Wood Screws per Gable Upright Assembly. (fig. 10.6)

Fig. 10.6
Inside View

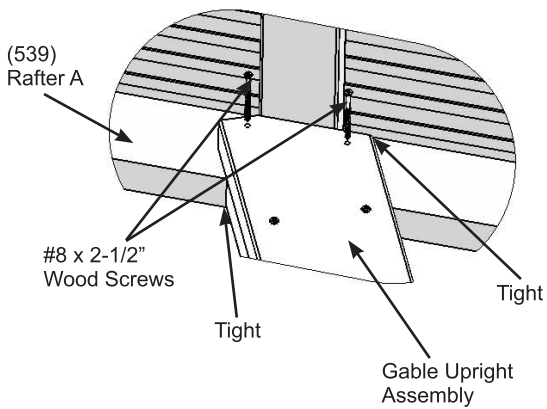


Fig. 10.7

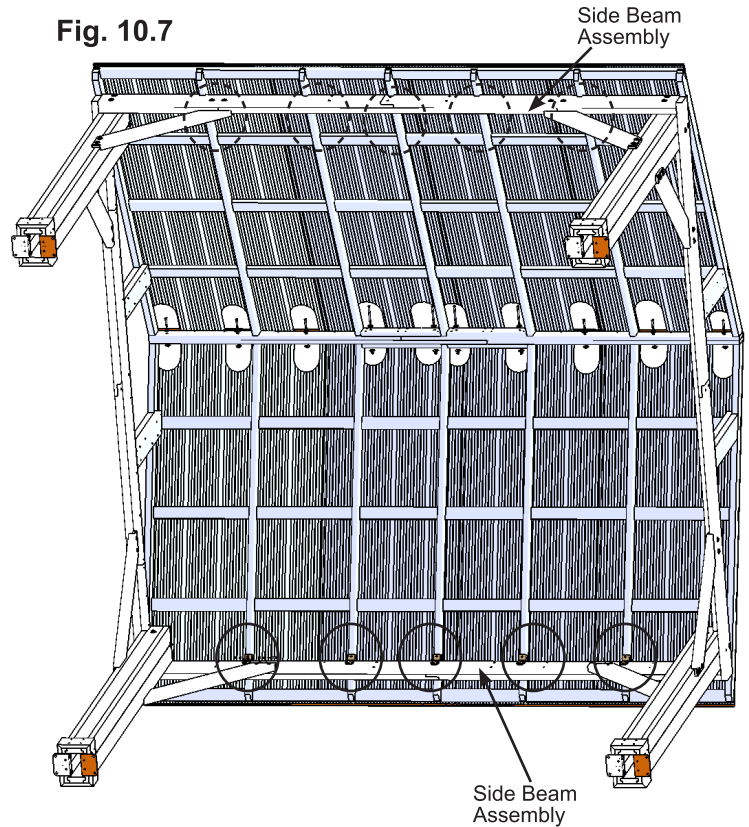


Fig. 10.8

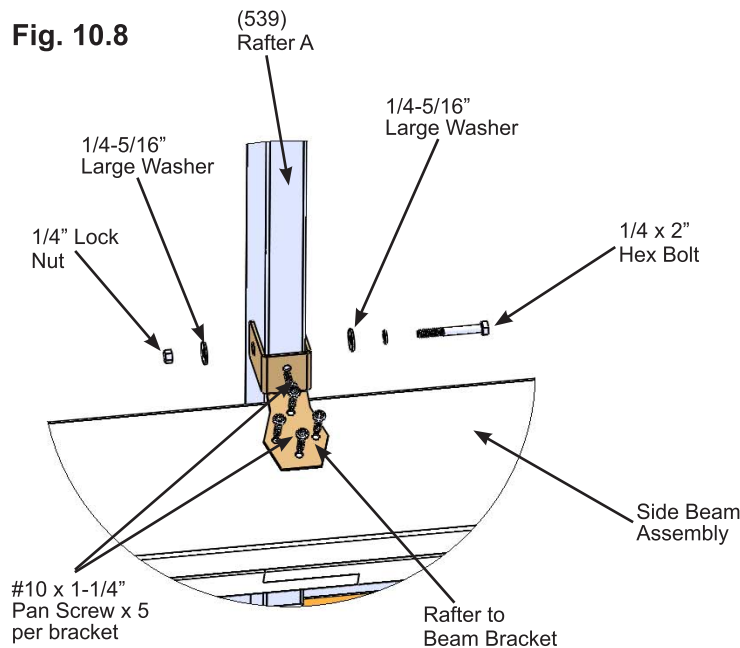
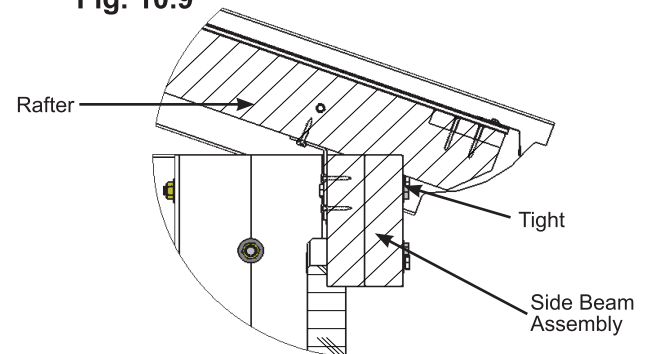


Fig. 10.9



Component

Hardware

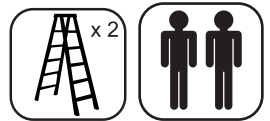
10 x Rafter to Beam Bracket

10 x 1/4 x 2" Hex Bolt (1/4-5/16" large washer x 2, 1/4" lock nut)

50 x #10 x 1-1/4" Pan Screw

8 x #8 x 2 1/2" Wood Screw

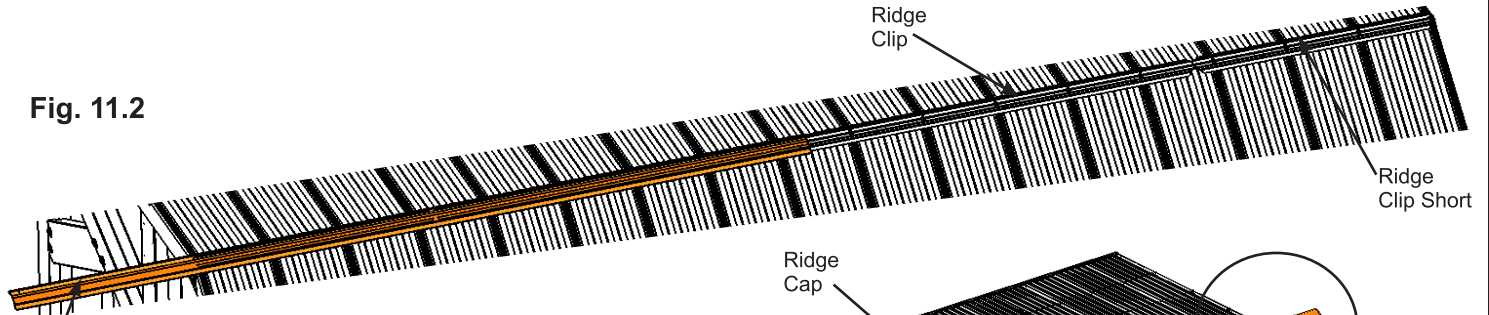
Step 11: Attach Ridge Caps Part 1



A: Slide Ridge Cap over the Ridge Clips towards the centre of the roof. (fig. 11.1 and 11.2)

B: With the swaged end facing in slide one Ridge Cap Short at each end of the roof over the Ridge Clips. Use the swaged end to help push the Ridge Cap to the centre of the roof. Each Ridge Cap Short should be flush to the outside edge of the roof. (fig. 11.1, 11.3 and 11.4)

Fig. 11.2

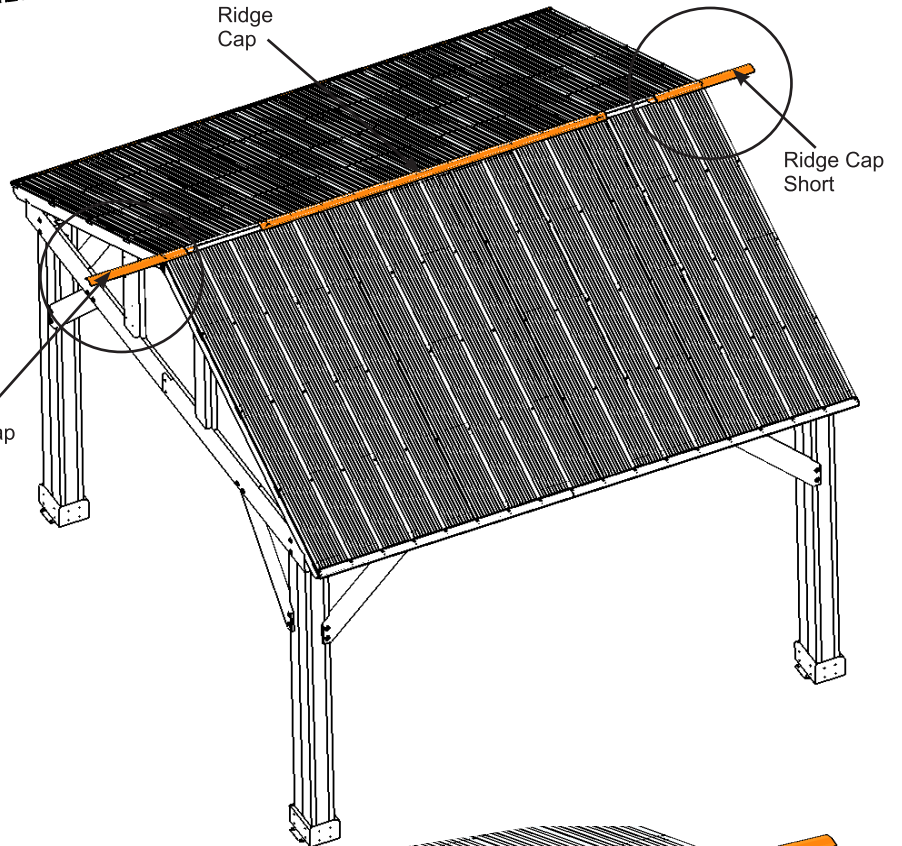


Ridge Cap

Ridge Clip

Ridge Clip Short

Fig. 11.1

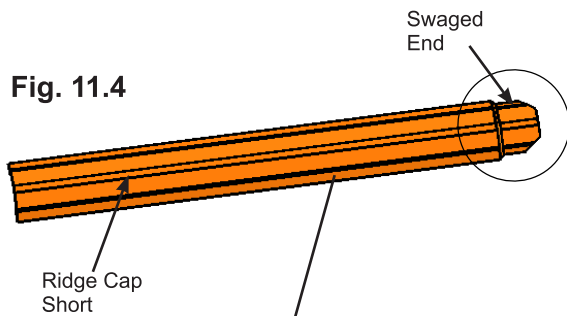


Note: To help Ridge Cap slide on easier use a lubricant such as liquid soap.

Ridge Cap Short

Ridge Cap Short

Fig. 11.4

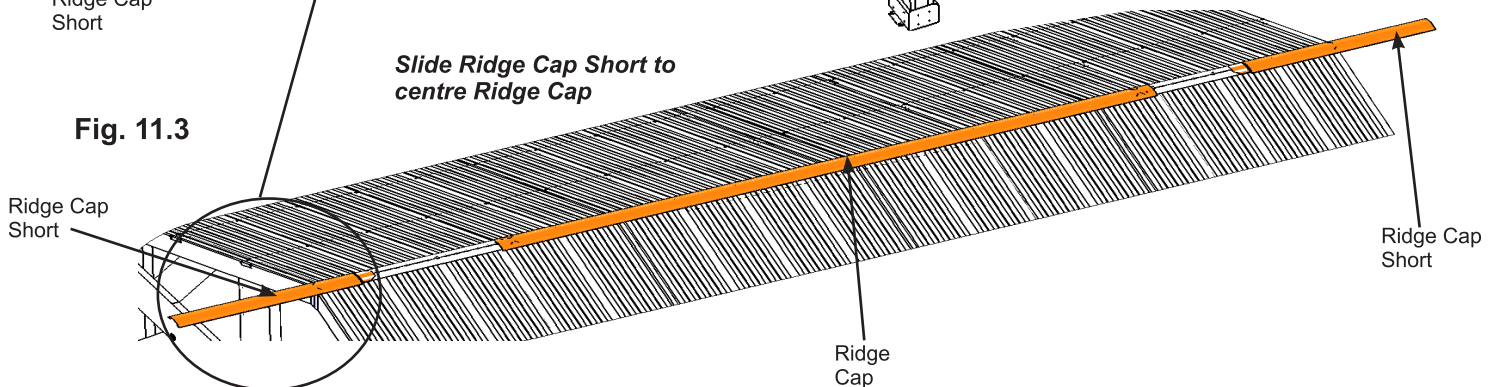


Swaged End

Ridge Cap Short

Slide Ridge Cap Short to centre Ridge Cap

Fig. 11.3



Ridge Cap Short

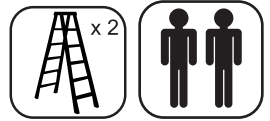
Ridge Cap

Ridge Cap Short

Componets:

- 1 x Ridge Cap
- 2 x Ridge Cap Short

Step 11: Attach Ridge Caps Part 2



C: Make sure the Ridge Cap Shorts are flush to the outside edge of the roof then attach each end of the Ridge Cap to each Ridge Cap Short with two #8 x 3/4" Metal Screws per side. (fig. 11.5, 11.6 and 11.7)

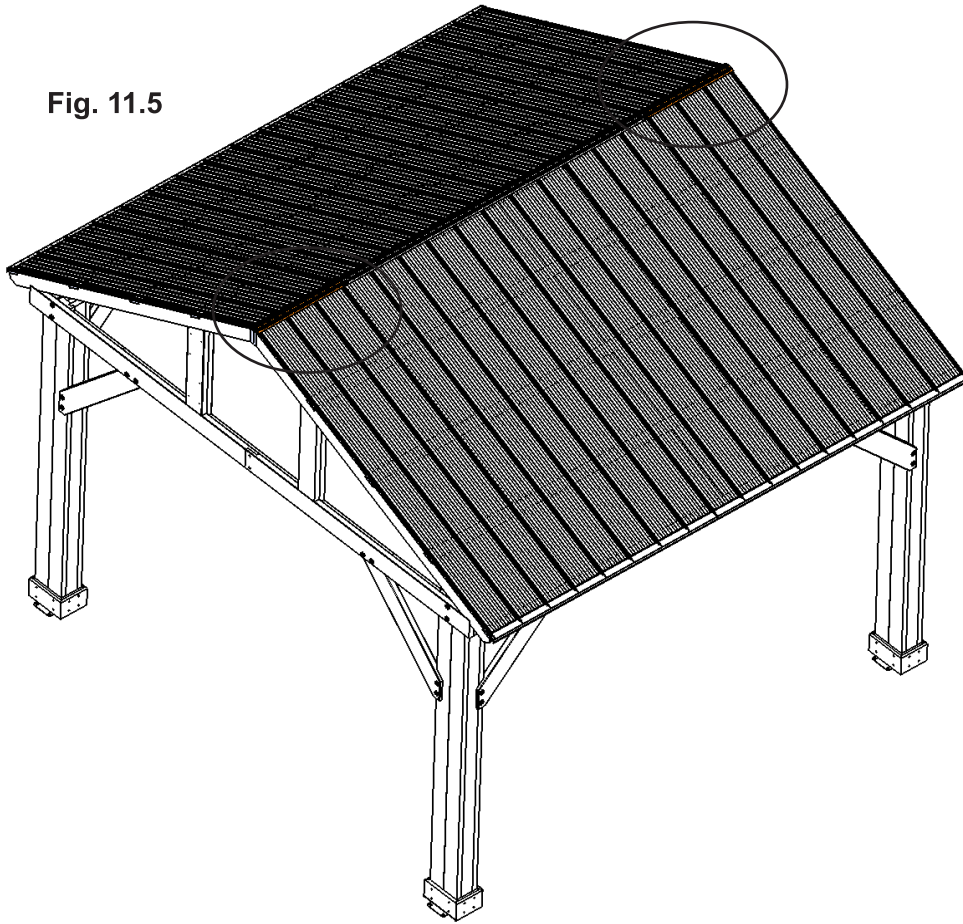


Fig. 11.5

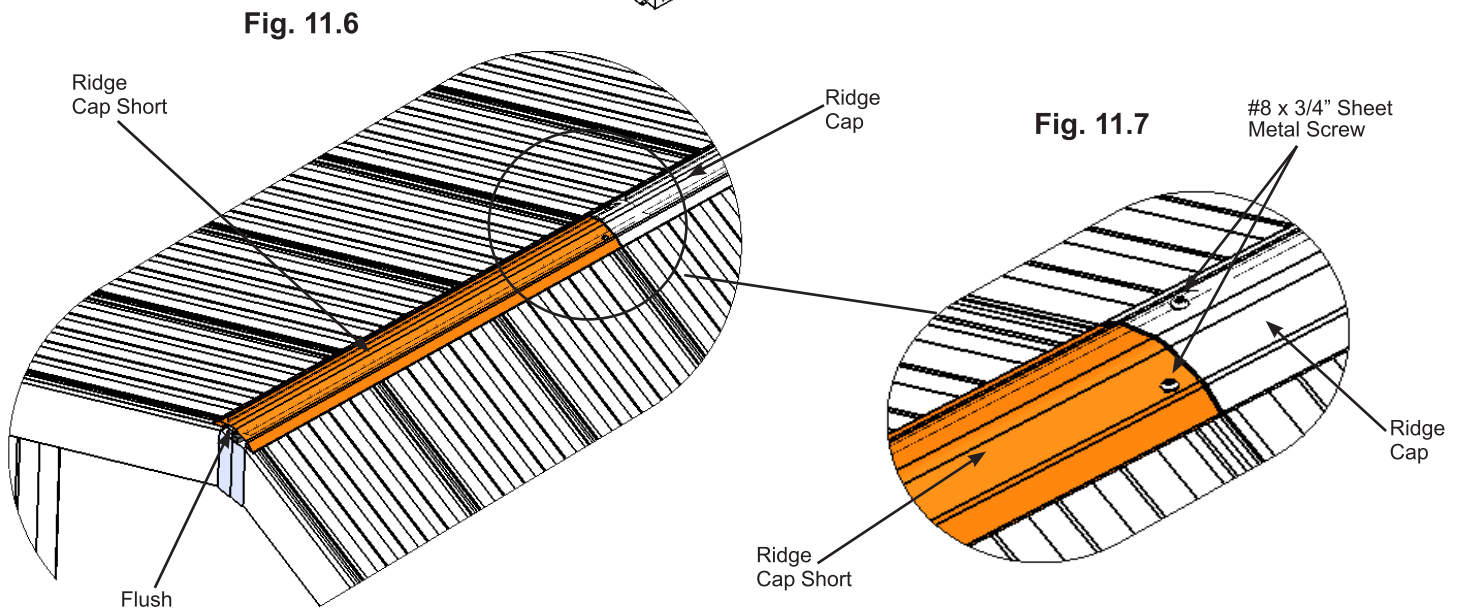
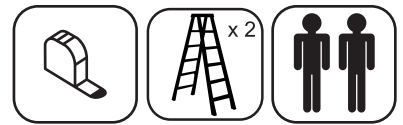


Fig. 11.7

Hardware

4 x #8 x 3/4" Sheet Metal Screw

Step 12: Attach Fascia



A: On one side of the assembly place two (550) Fascia against the outside rafters so the peaks meet in the centre and they are tight together. Bottom of (550) Fascia to bottom of rafter should measure 1" all along each (550) Fascia. Attach with ten #8 x 1-3/4" Wood Screws per (550) Fascia. (fig. 12.1, 12.2 and 12.3)

B: Repeat for the other side of the assembly.

Fig. 12.1

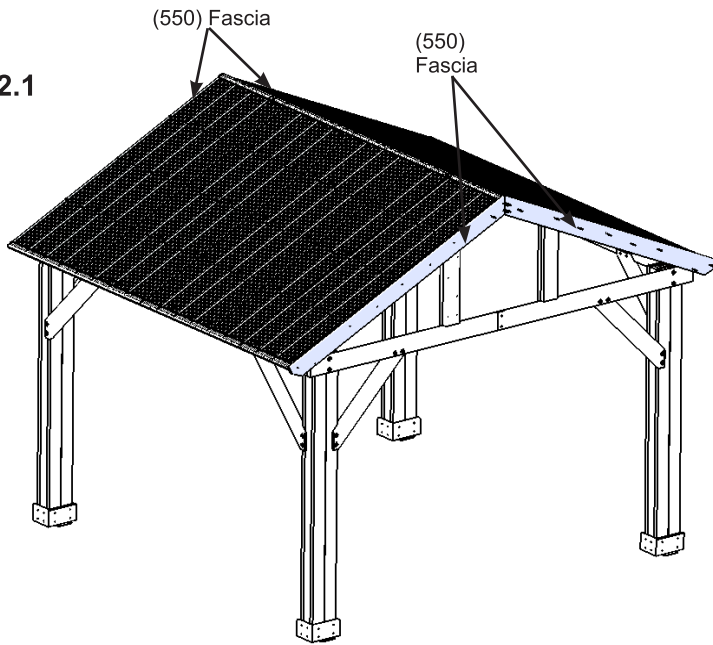


Fig. 12.2
Inside View

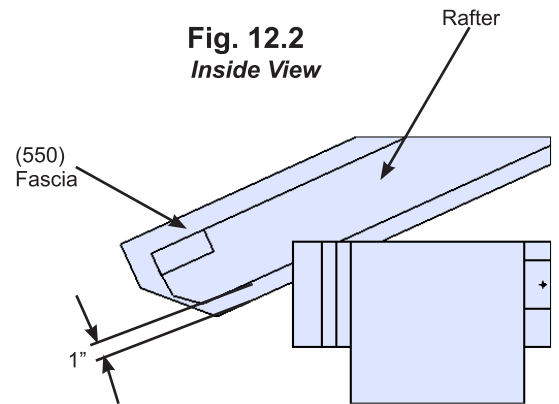
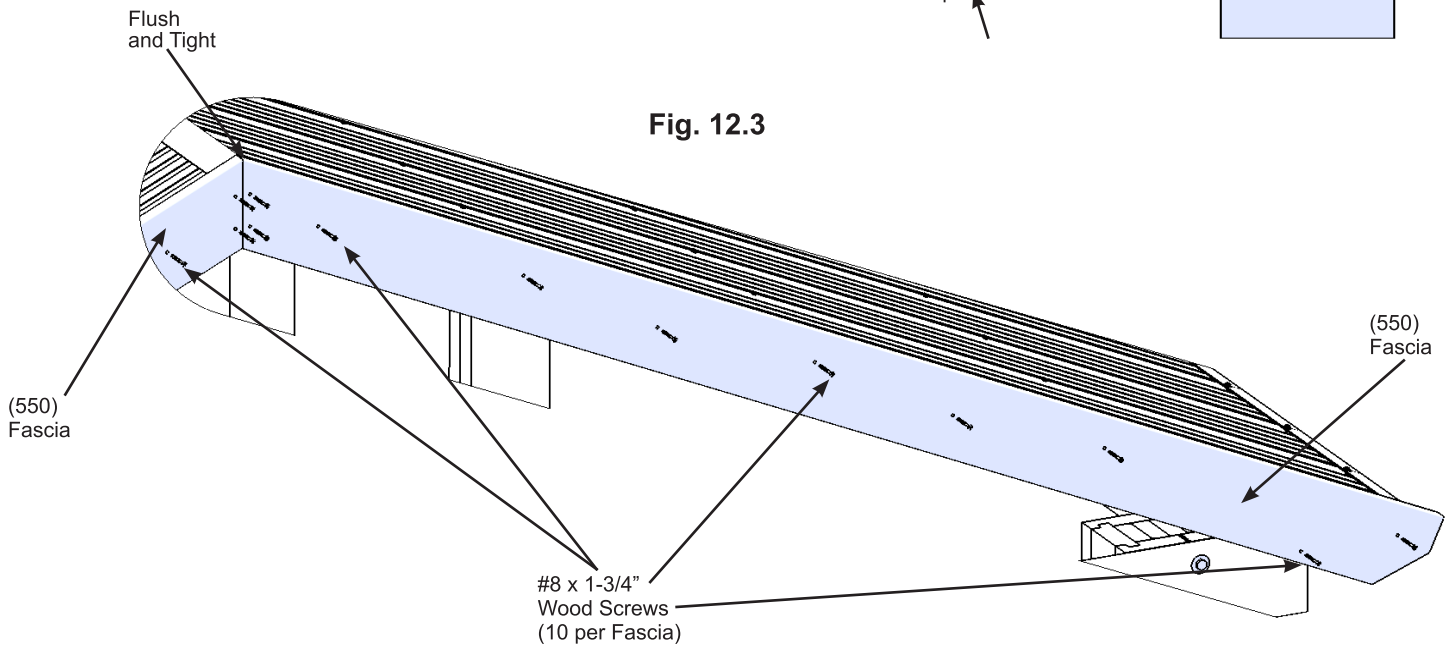


Fig. 12.3



Wood Parts

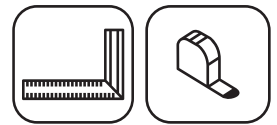
4 x (550) Fascia 25.4 x 139.7 x 2344.7 mm (1 x 5-1/2 x 92-5/16")

Hardware

40 x #8 x 1-3/4" Wood Screw

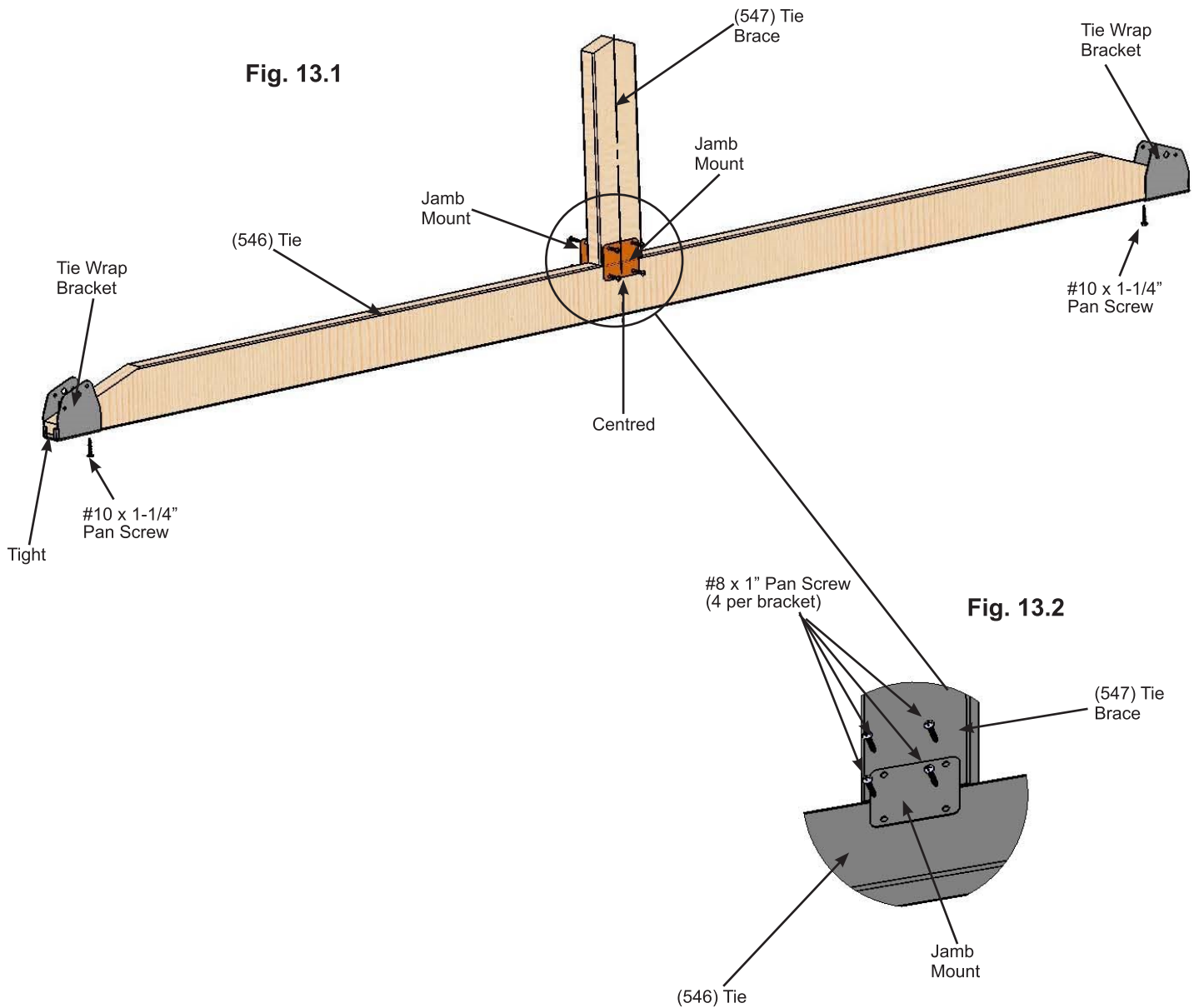
Step 13: Truss Assemblies

Part 1



A: Place one (547) Tie Brace centred, tight and square to the top of (546) Tie. Attach (546) Tie to (547) Tie Brace using two Jamb Mounts (one per side) with four #8 x 1" Pan Screws per mount. Repeat to complete five Tie Brace Assemblies. (fig. 13.1 and 13.2)

B: Attach one Tie Wrap Bracket to each end of each (546) Tie with one #10 x 1-1/4" Pan Screw per bracket using the inside holes. (416) Tie is tight to end of bracket. (fig. 13.1)



Wood Parts

5 x (546) Tie 31.8 x 88.9 x 2333.6 mm (1-1/4 x 3-1/2 x 91-7/8")
 5 x (547) Tie Brace 31.8 x 88.9 x 454 mm (1-1/4 x 3-1/2 x 17-7/8")

Components:

10 x Tie Wrap Bracket
 10 x Jamb Mount

Hardware

40 x #8 x 1" Pan Screw
 10 x #10 x 1-1/4" Pan Screw

Step 13: Truss Assemblies

Part 2



C: Attach one Tie Centre Bracket to the peak of five rafters, (541) Ridge Long, (542) Ridge Short with four #8 x 1" Pan Screws per bracket. Notice that three Tie Centre Brackets face one way and one faces the opposite direction. It will only fit on this side. (fig. 13.3 and 13.4)

Fig. 13.3

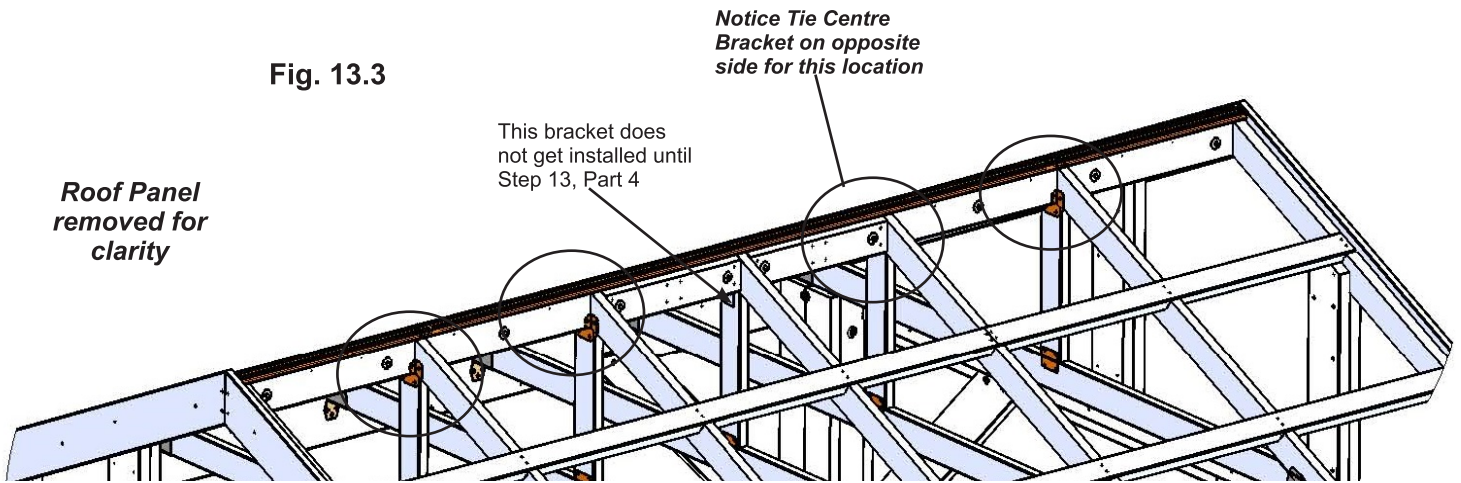
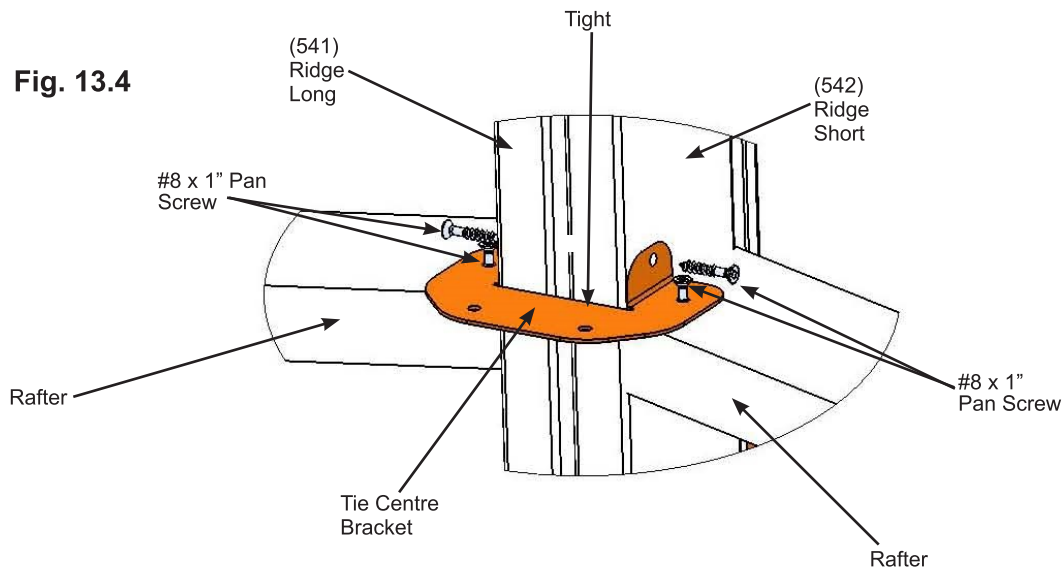


Fig. 13.4



Componets:

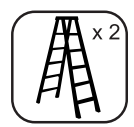
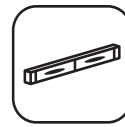
4 x Tie Centre Bracket

Hardware

16 x #8 x 1" Pan Screw

Step 13: Truss Assemblies

Part 3



D: With a helper place five (546) Tie with brackets tight against the rafters so (547) Tie Braces fit into Tie Centre Brackets. Make sure (546) Ties are level then attach Tie Wrap Brackets to the rafters with two #10 x 1-1/4" Pan Screws on both sides of each bracket and one #12 x 1-1/4" Pan Screw on one side of each bracket. (fig. 13.5, 13.6, 13.7 and 13.8)

E: Pre-drill with a 1/8" drill bit and secure Tie Wrap Brackets to (546) Tie and the rafter with one #10 x 2-1/2" Pan Screw per bracket. (fig. 13.5, 13.6, 13.7 and 13.8)

Fig. 13.5

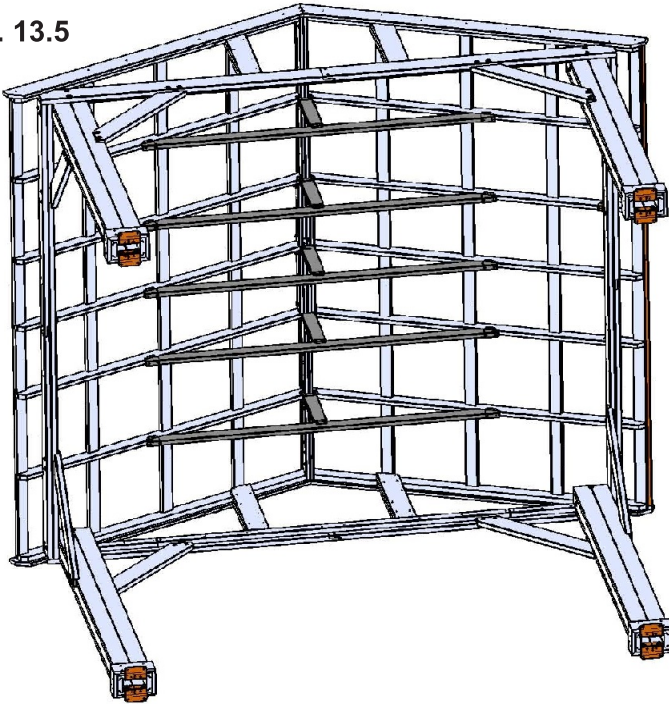


Fig. 13.8

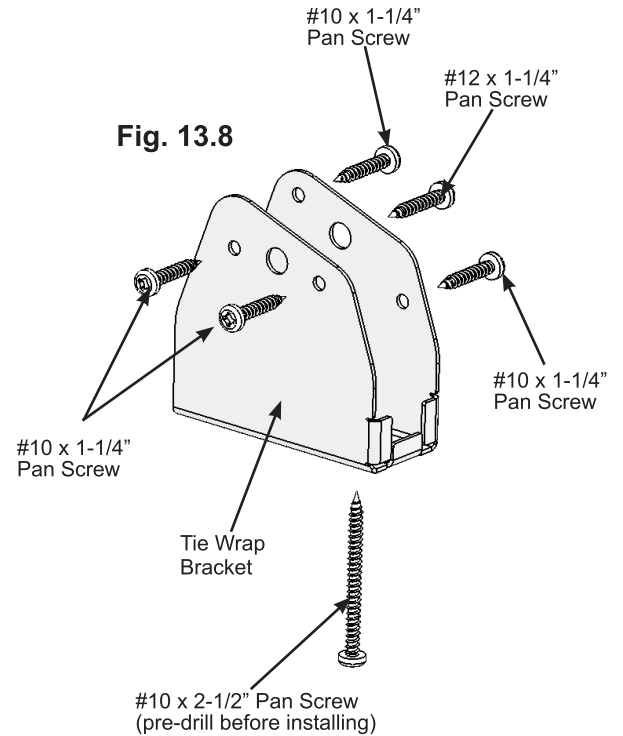


Fig. 13.6
Front Side

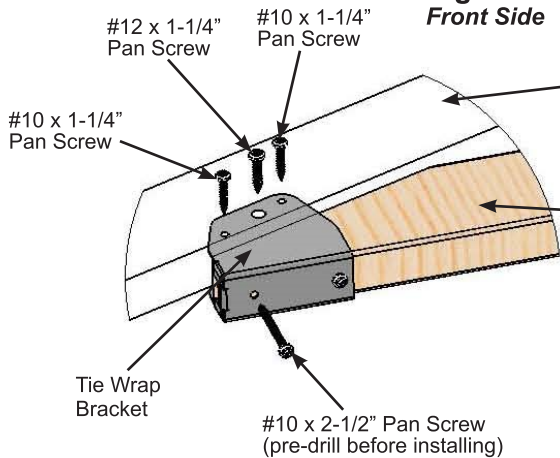
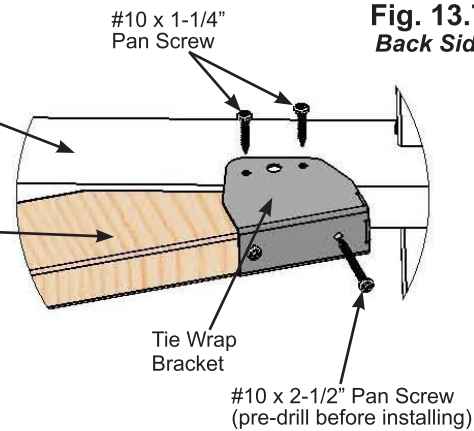


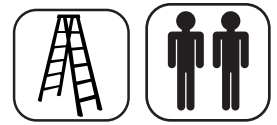
Fig. 13.7
Back Side



Hardware

- 40 x #10 x 1-1/4" Pan Screw
- 10 x #12 x 1-1/4" Pan Screw
- 10 x #10 x 2-1/2" Pan Screw

Step 13: Truss Assemblies Part 4



F: Secure four (547) Tie Braces to each Tie Centre Bracket with two #8 x 1" Pan Screws per bracket. (fig. 13.9 and 13.10)

G: Secure remaining (547) Tie Brace to (541) Ridge Long and (542) Ridge Short with one Corner Bracket using four #8 x 1" Pan Screws. (fig. 13.9 and 13.11)

Fig. 13.10

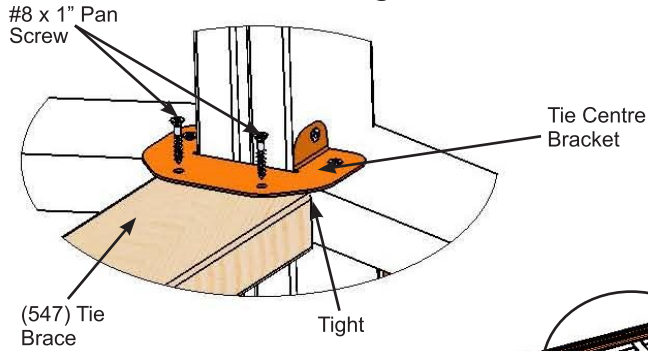


Fig. 13.9

Roof Panel removed for clarity

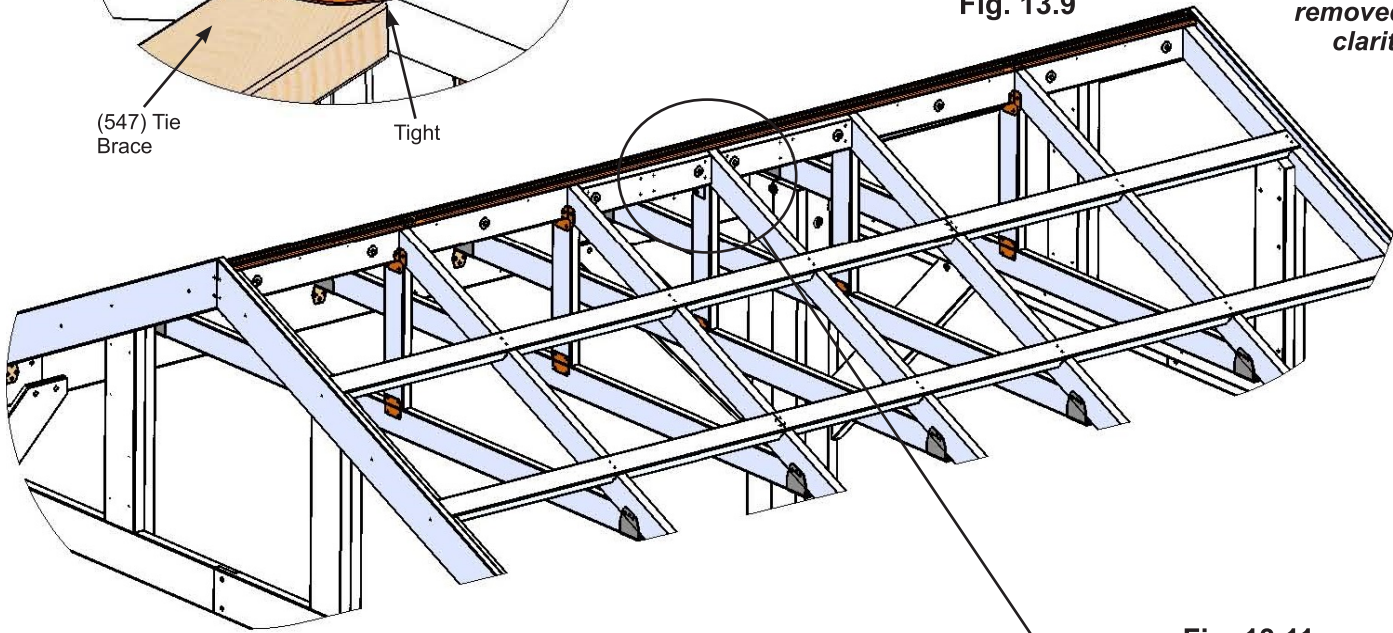
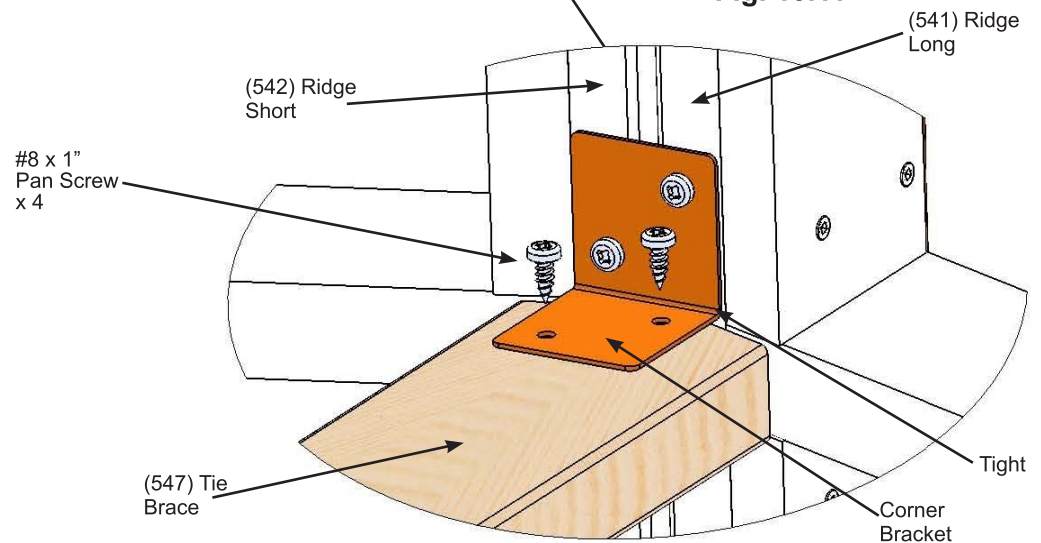


Fig. 13.11



Componets:

1 x Corner Bracket

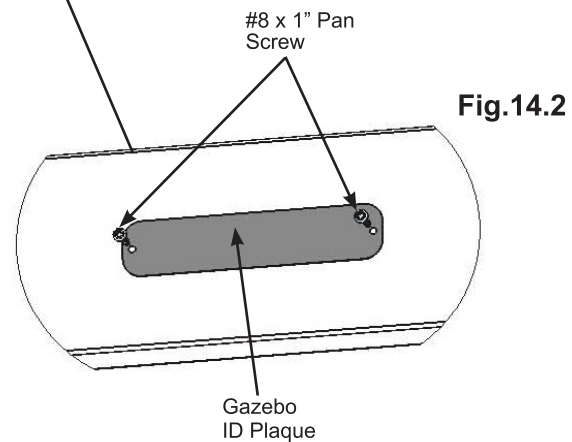
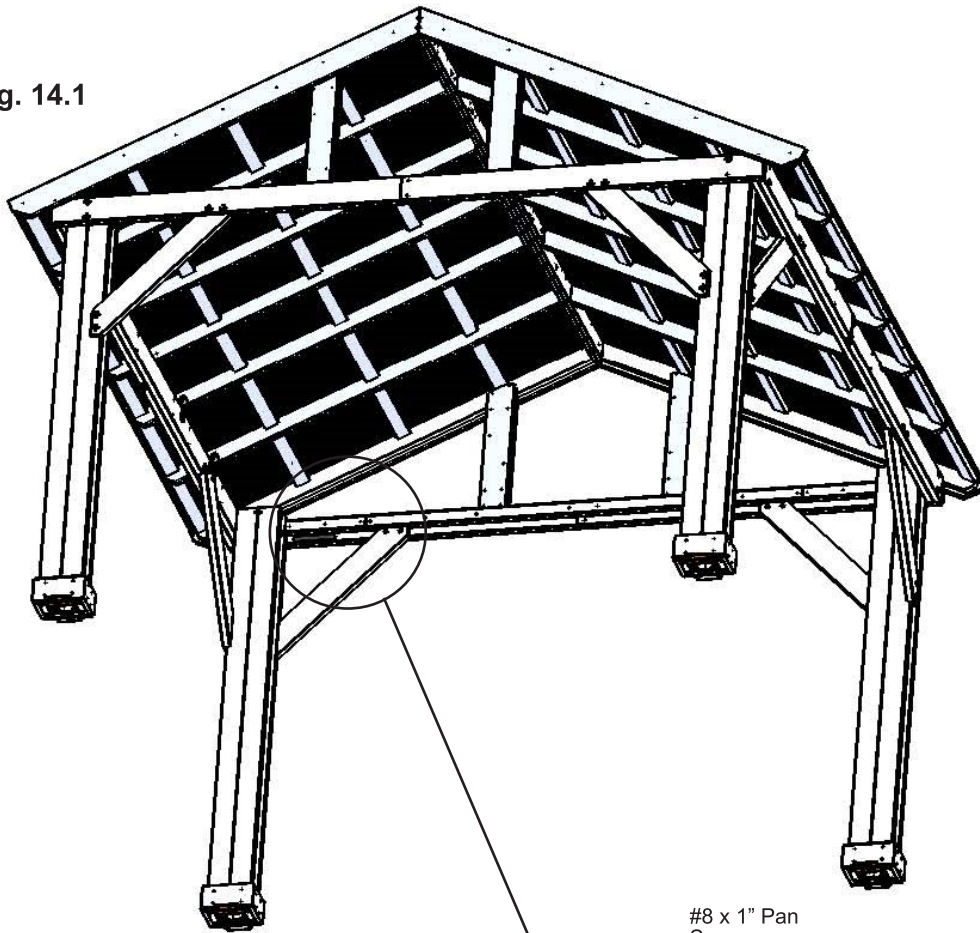
Hardware

12 x #8 x 1" Pan Screw

Step 14: Attach Plaque

A: Attach Gazebo ID Plaque to a prominent location on your Pavilion with two #8 x 1" Pan Screws. This provides warnings concerning safety and important contact information. A tracking number is provided to allow you to get critical information or order replacement parts for this specific model. (fig. 14.1 and 14.2)

Fig. 14.1



Hardware

2 x #8 x 1" Pan Screw

1 x Gazebo ID Plaque

