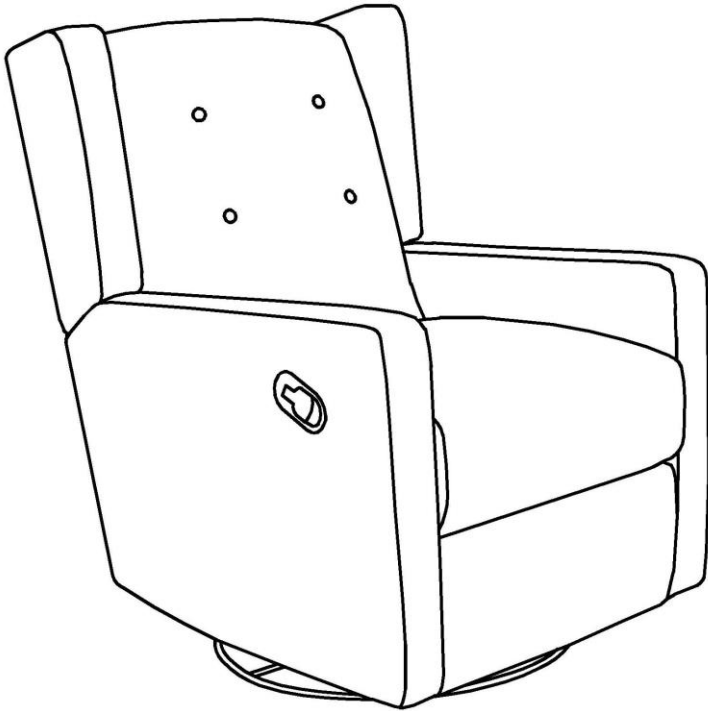


INSTRUCTION MANUAL



SWIVEL GLIDING RECLINER



Model No:
DA6942-FG (GRAY)

UPC CODE:
0-65857-17206-5 (GRAY)

NOTE:
THIS INSTRUCTION BOOKLET
CONTAINS **IMPORTANT** SAFETY
INFORMATION. PLEASE READ AND
KEEP FOR FUTURE REFERENCE.

Lot number:
(TAKEN FROM CARTON)

Date of purchase:

____ / ____ / ____

DO NOT RETURN PRODUCT TO THE STORE.

If a part is missing or damaged, contact our customer service department. We will replace the part **FREE** of charge.



Tel #: 1-800-295-1980
E-Mail: das@dorel.com
Fax #: 514-353-7819

CUSTOMER SERVICE

If you are missing parts or have any questions about this product, contact our customer service representative first!



CALL 1-800-295-1980

You can also order parts by writing to the address listed below. Please include the product model number, color and a detailed description of the part.

**Customer Service Department No. 413
12345 Albert-Hudon Boulevard, Suite 100
Montreal, Quebec
Canada H1G 3L1**

E-MAIL: das@dorel.com

WARNING

DO NOT leave children unattended on or beside the recliner.

DO NOT use your recliner as a step stool.

DO NOT sit on the edge of the seat, armrests or on the backrest as this could make the recliner tip over.

NOTES

- * Ensure that all parts and components are located before beginning assemble.
- * Assemble on soft surfaces to prevent damage to the product finish.
- * Read all instructions before use of the recliner.
- * **Do not** use the unit if it is damaged or broken.
- * Caution: Adult assembly required.
- * Assembly will require 2 people.
- * Estimated assembly time: 5 minutes.

CARE AND CLEANING

Dust regularly with a soft, dry cloth to prevent soil build-up. Keep away from heat to avoid glazing, melting or scorching. Use a professional cleaning service to clean the fabric.

MAINTENANCE

Check connecting points periodically to ensure none have come loose during use.

LIMITED WARRANTY

Dorel Asia warrants its product to be free from defects in material and workmanship and agrees to remedy any such defect. This warranty covers 1 year from the date of original purchase. This warranty is valid only upon presentation of proof of purchase. This is solely limited to the repair or replacement of defective furniture components and no assembly labor is included. This warranty does not apply to any product which has been improperly assembled, subjected to misuse or abuse or which has been altered or repaired in any way. Any wearing, tearing or fading of the fabric is not covered under the warranty. This warranty gives you specific legal rights and you may also have other rights which vary from State to State.

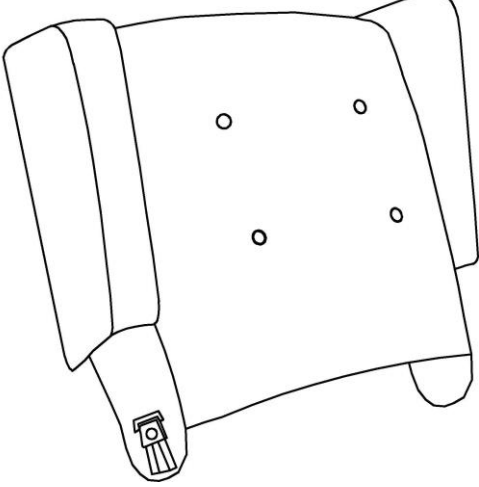
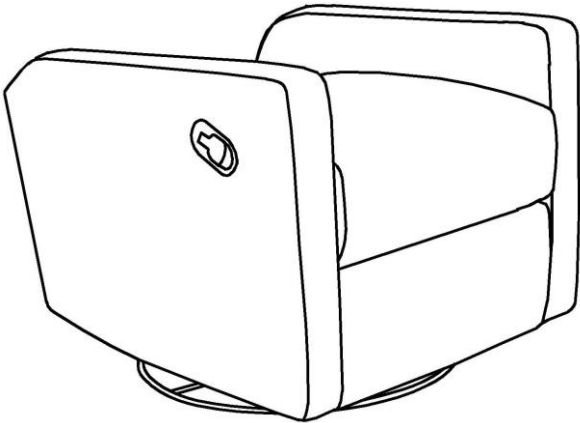


WARNING: Should this product become damaged, and/or components are broken or missing, DO NOT USE.

SWIVEL GLIDING RECLINER

DA6942-FG

PARTS LIST

<p data-bbox="110 352 147 394">A</p> 	<p data-bbox="824 352 862 394">B</p> 
<p data-bbox="300 909 581 945">BACK CUSHION</p> <p data-bbox="397 972 479 1008">1 PC</p>	<p data-bbox="1052 909 1284 945">SEAT FRAME</p> <p data-bbox="1128 972 1209 1008">1 PC</p>

SWIVEL GLIDING RECLINER

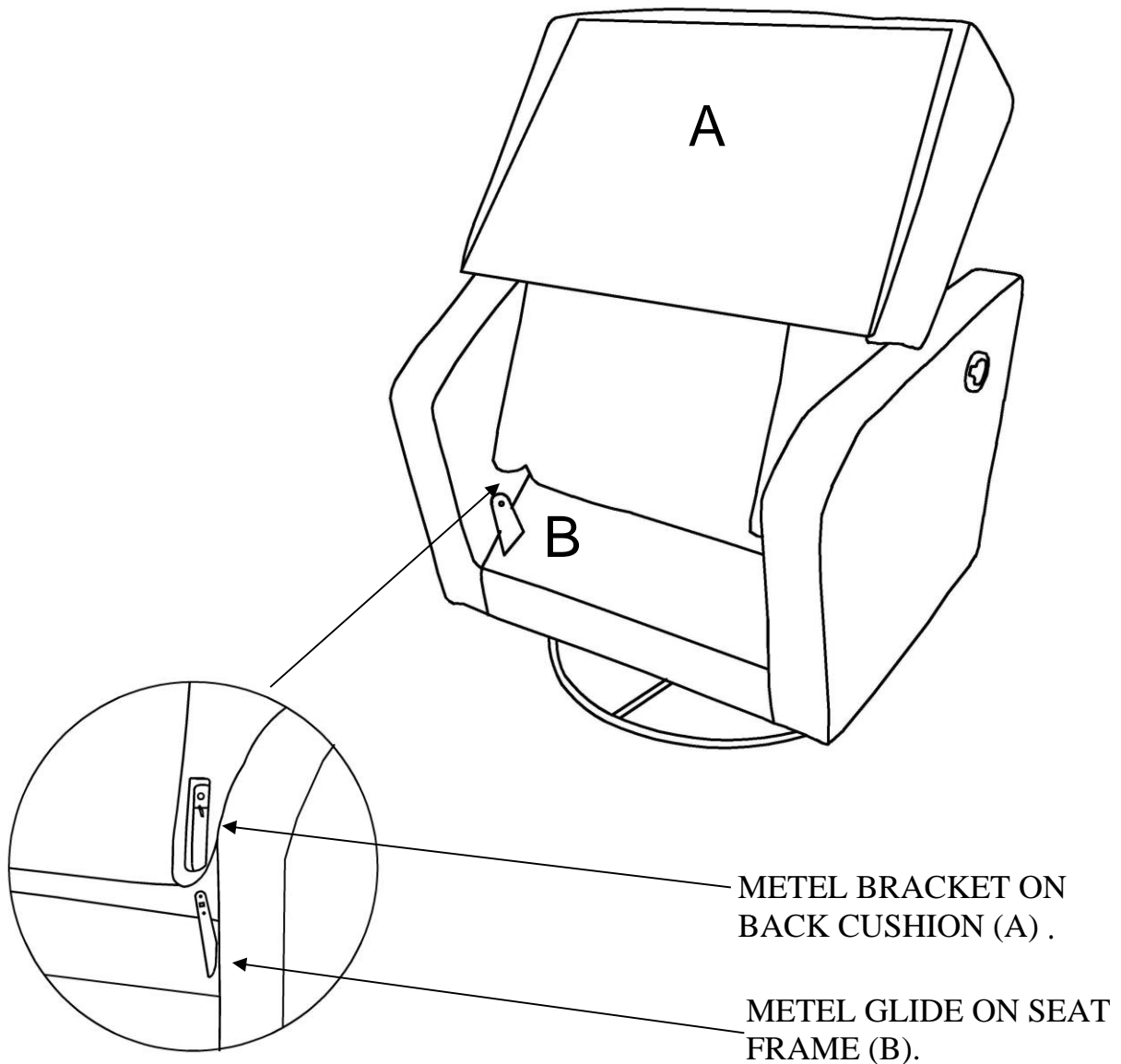
DA6942-FG

STEP 1

With the help of another person, slide the metal brackets on back cushion (A) with the metal glides on seat frame (B).

Lower back cushion (A) onto seat frame (B) until it locks into place.

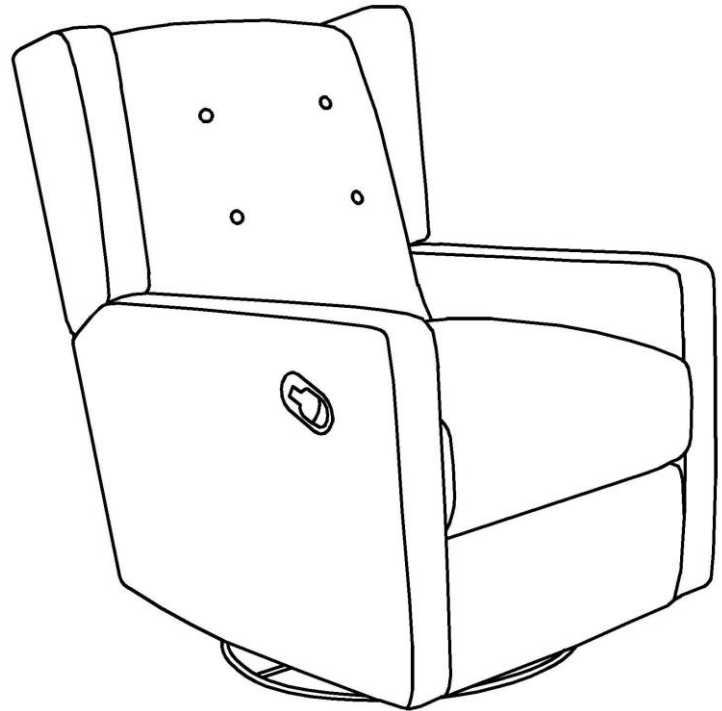
Place the flap into position using the velcro strips once back cushion (A) has been locked into place.



SWIVEL GLIDING RECLINER DA6942-FG

! **CAUTION:** This unit is intended for use only with the products and/or maximum weights indicated. Use with other products and/or products heavier than the maximum weights indicated may result in instability or cause possible injury.

Dust regularly with a soft, dry cloth to prevent soil build-up. Keep away from heat to avoid glazing, melting or scorching. Use a professional cleaning service to clean the fabric.



Intended Maximum Weight= 225lbs

That's it! You've finished assembling your recliner.

DO NOT RETURN PRODUCT TO THE STORE.
If a part is missing or damaged, contact our customer service department. We will replace the part **FREE** of charge.



Tel #: 1-800-295-1980
E-Mail: das@dorel.com
Fax #: 514-353-7819

Customer Service

PLEASE DO NOT RETURN THIS PRODUCT TO THE STORE

PLEASE CONTACT CUSTOMER SERVICE REPRESENTATIVES AT THE FOLLOWING NUMBERS SHOULD THERE BE ANY MISSING OR DEFECTIVE PART(S).

Customer Service Phone Number 1-800-295-1980	Email: das@dorel.com
Customer Service Fax Number 514-353-7819	

Request Date:

Name:

Shipping Address:

Street & Number:

City & State:

Zip Code:

Day Time Phone Number:

(including area code)

Date & Place of Purchase:

Part(s) description and quantity: (Please be sure to list model number or SKN number)

Customer Service Representative Mailing Address:

Customer Service Department No. 413, 12345 Albert-Hudon Boulevard, Suite 100, Montreal, QC, Canada, H1G 3L1